



US00D367811S

United States Patent [19]
Leblhuber

[11] **Patent Number: Des. 367,811**
[45] **Date of Patent: **Mar. 12, 1996**

[54] **MOUNTING SUPPORT**

4,823,752 4/1989 Uuskallio 248/74.1 X

[76] Inventor: **Johann Leblhuber**, Birkenweg 18,
A-4501 Neuhofen/Krems, Austria

Primary Examiner—A. Hugo Word
Assistant Examiner—Holly Baynham
Attorney, Agent, or Firm—Collard & Roe

[**] Term: **14 Years**

[57] **CLAIM**

[21] Appl. No.: **34,730**

The ornamental design for a mounting support, as shown and described.

[22] Filed: **Feb. 10, 1995**

[30] **Foreign Application Priority Data**

DESCRIPTION

Aug. 12, 1994 [AT] Austria MU3179/94

[52] **U.S. Cl.** **D8/354**

[58] **Field of Search** D8/349, 354, 318;
248/300, 214, 61, 74.1

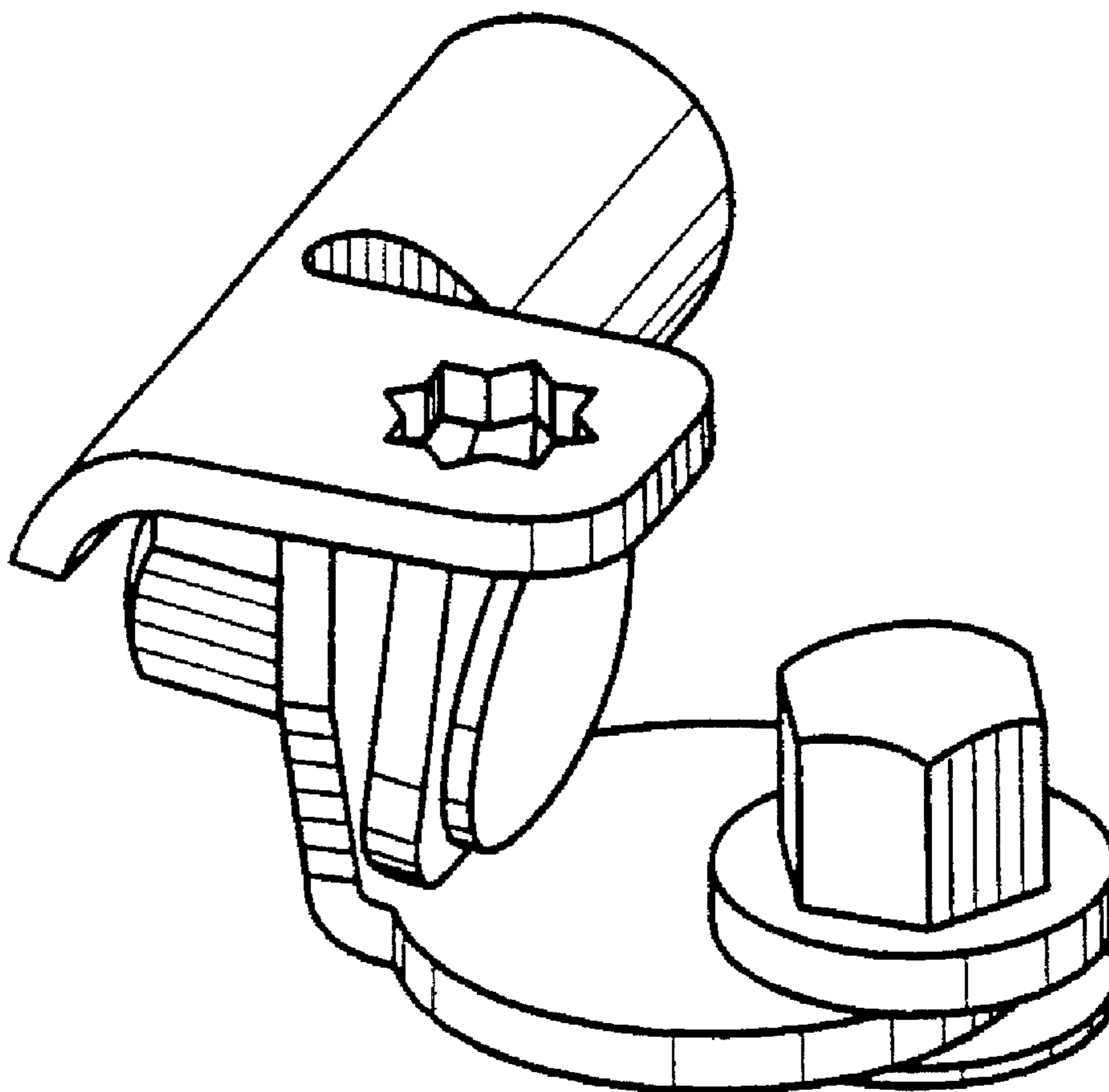
FIG. 1 is a top, front, right side perspective view of the mounting support showing my new design;
FIG. 2 is a top, rear right side perspective view thereof;
FIG. 3 is a top, right side perspective view thereof; and,
FIG. 4 is a bottom, rear, left side perspective view thereof.

[56] **References Cited**

U.S. PATENT DOCUMENTS

4,526,428 7/1985 Sachs 248/61 X

1 Claim, 1 Drawing Sheet



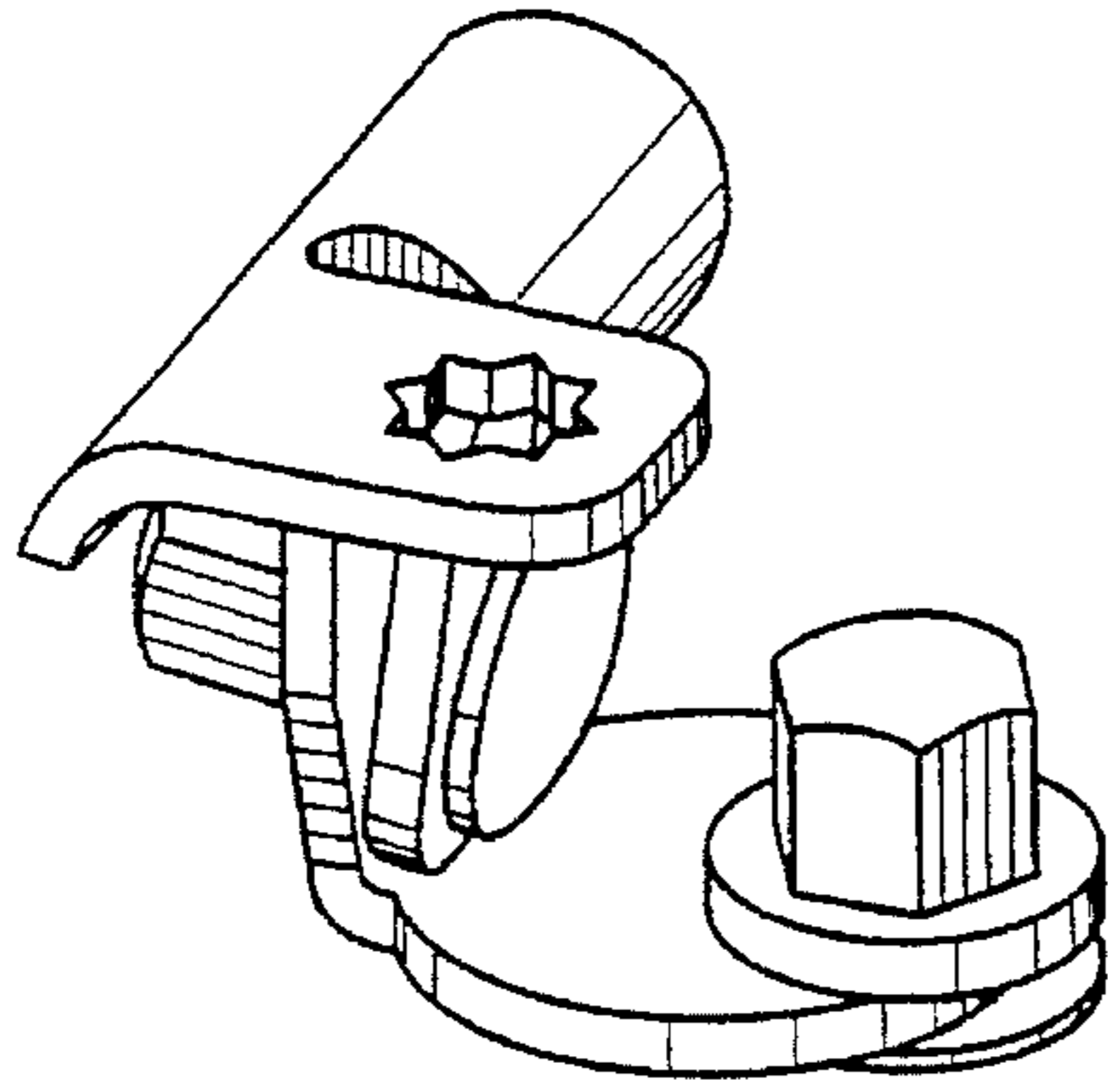


Fig. 1

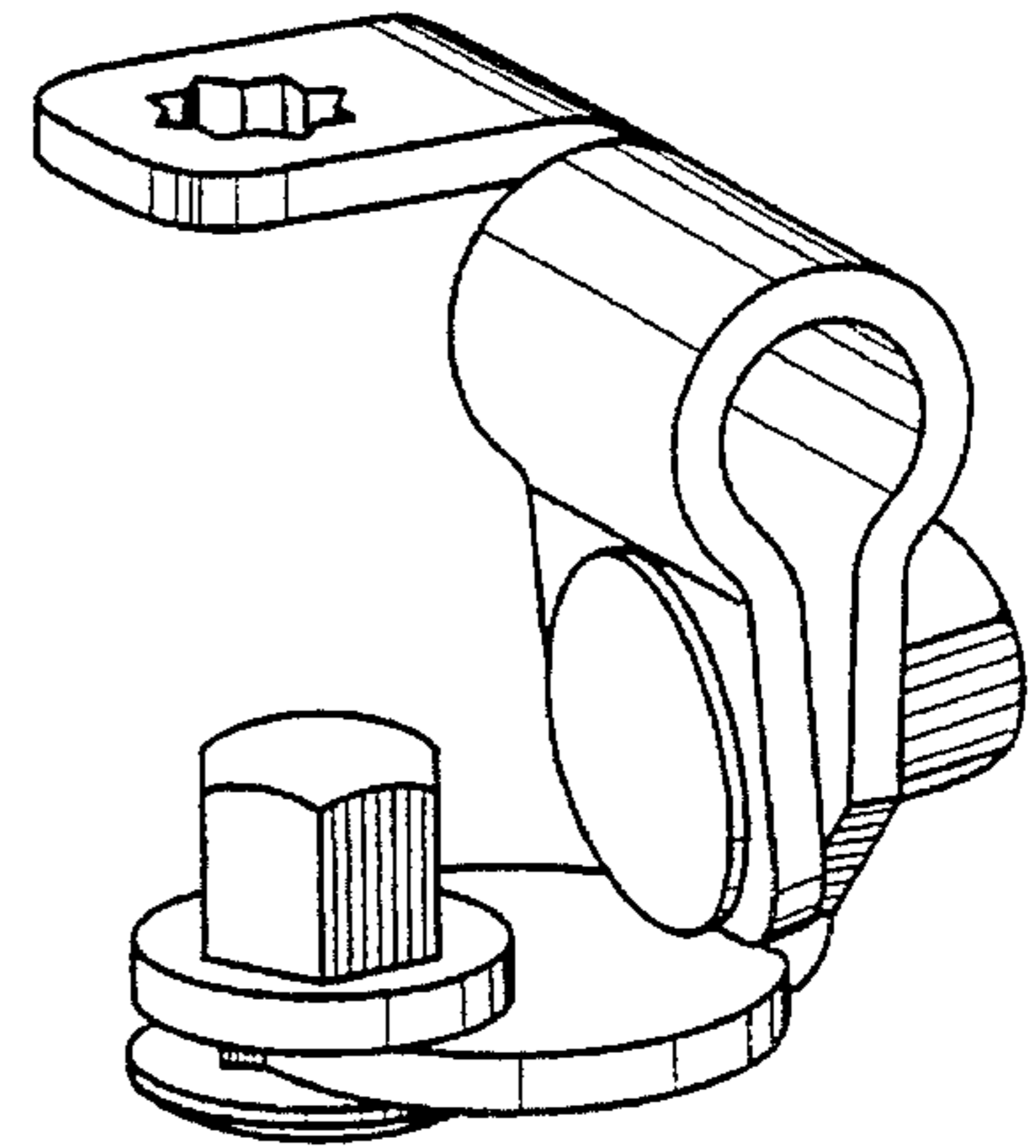


Fig. 2

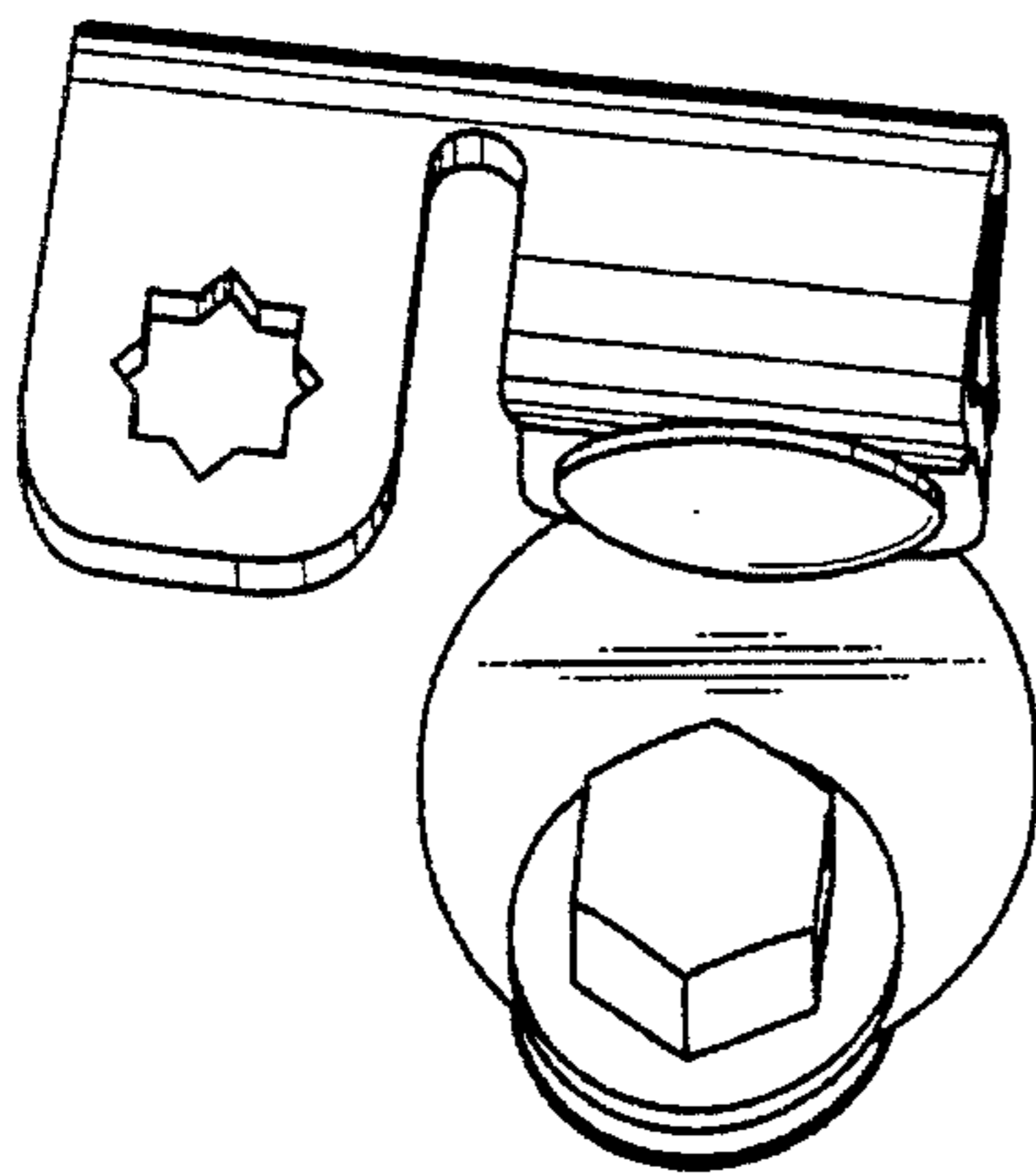


Fig. 3

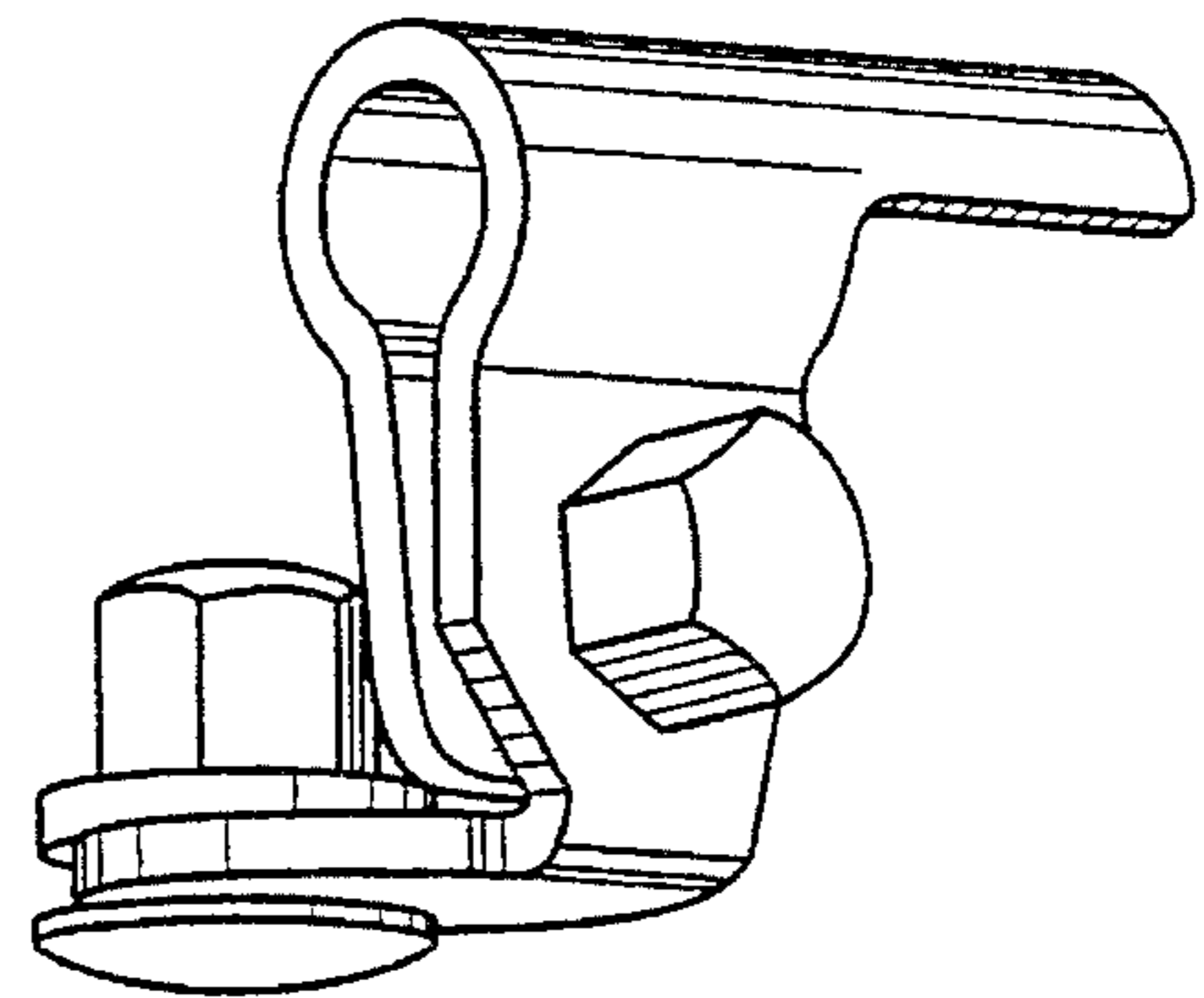


Fig. 4