



US00D367807S

United States Patent [19]
Hung

[11] **Patent Number: Des. 367,807**

[45] **Date of Patent: **Mar. 12, 1996**

[54] **MULTI PURPOSE HAND TOOL**

5,142,721 9/1992 Sessions et al. 81/416

[76] Inventor: **Cheng-sung Hung**, No. 28, Alley 11,
Chungnan 50th Lane, Kuanghsin Rd.,
Taiping Hsiang, Taichung Hsien, Taiwan

[**] Term: **14 Years**

[21] Appl. No.: **34,316**

[22] Filed: **Feb. 1, 1995**

[52] U.S. Cl. **D8/105; D8/52; D8/55**

[58] **Field of Search** D8/51, 52, 53,
D8/54, 55; 81/427.5, 416; 7/168, 134, 142,
129, 118

[56] **References Cited**

U.S. PATENT DOCUMENTS

D. 286,501	11/1986	Magan	D8/52
D. 338,386	8/1993	Frazer	D8/105
4,122,569	10/1978	Hitchcock	7/168
4,238,862	12/1980	Leatherman	81/427.5
4,744,272	5/1988	Leatherman	7/129
5,029,355	7/1991	Thai	7/118
5,062,173	11/1991	Collins et al.	7/118

OTHER PUBLICATIONS

Radio Shack Corp p. 8, Plier Tools.

Primary Examiner—Philip S. Hyder

Assistant Examiner—Philip Hyder

Attorney, Agent, or Firm—Morton J. Rosenberg; David I. Klein

[57] **CLAIM**

The ornamental design for a multi purpose hand tool, as shown and described.

DESCRIPTION

FIG. 1 is a front-left-top perspective view of a multi purpose hand tool, showing my new design;

FIG. 2 is a front elevational view thereof;

FIG. 3 is a rear elevational view thereof;

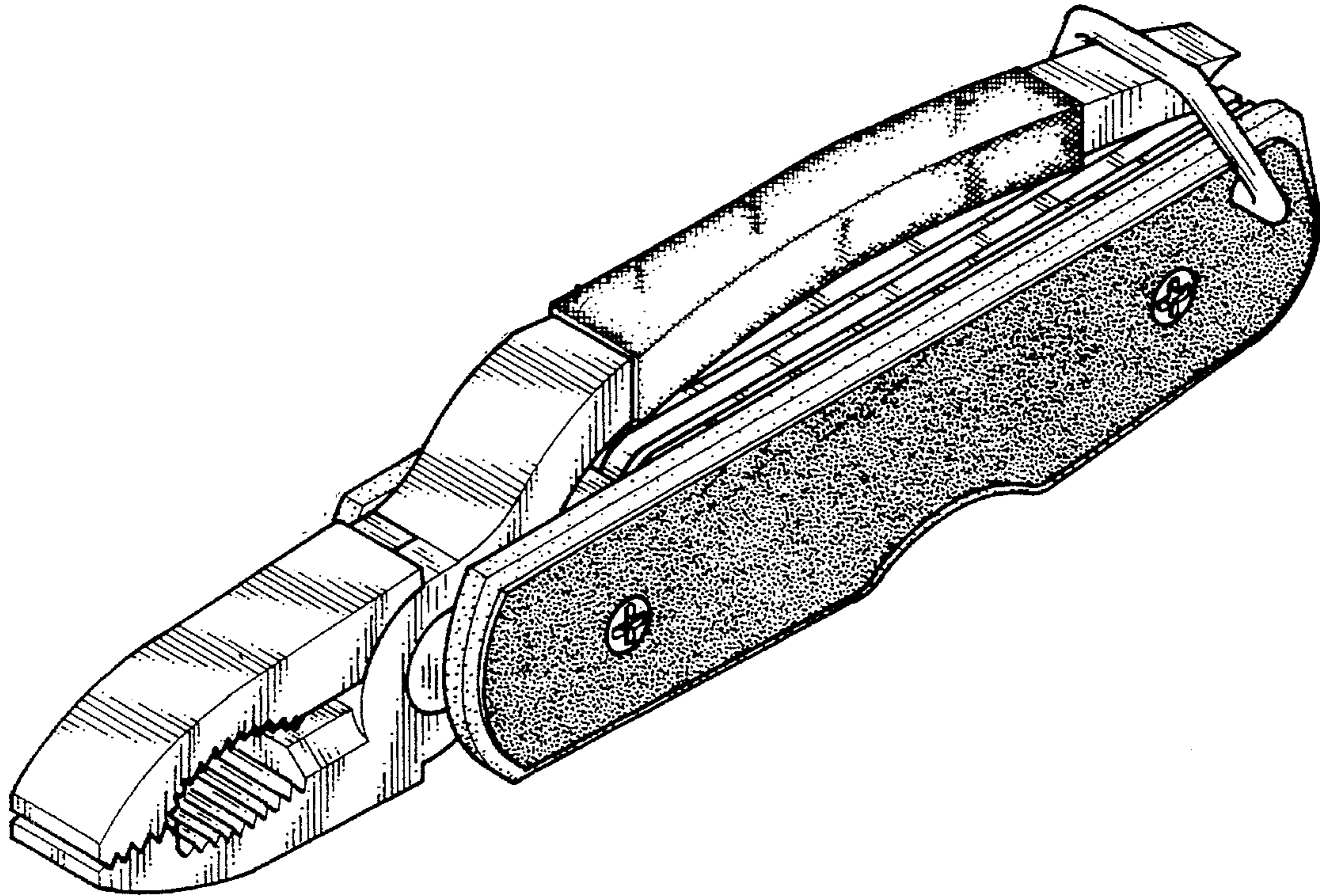
FIG. 4 is a left elevational view thereof;

FIG. 5 is a right elevational view thereof;

FIG. 6 is a top plan view thereof; and,

FIG. 7 is a bottom plan view thereof.

1 Claim, 3 Drawing Sheets



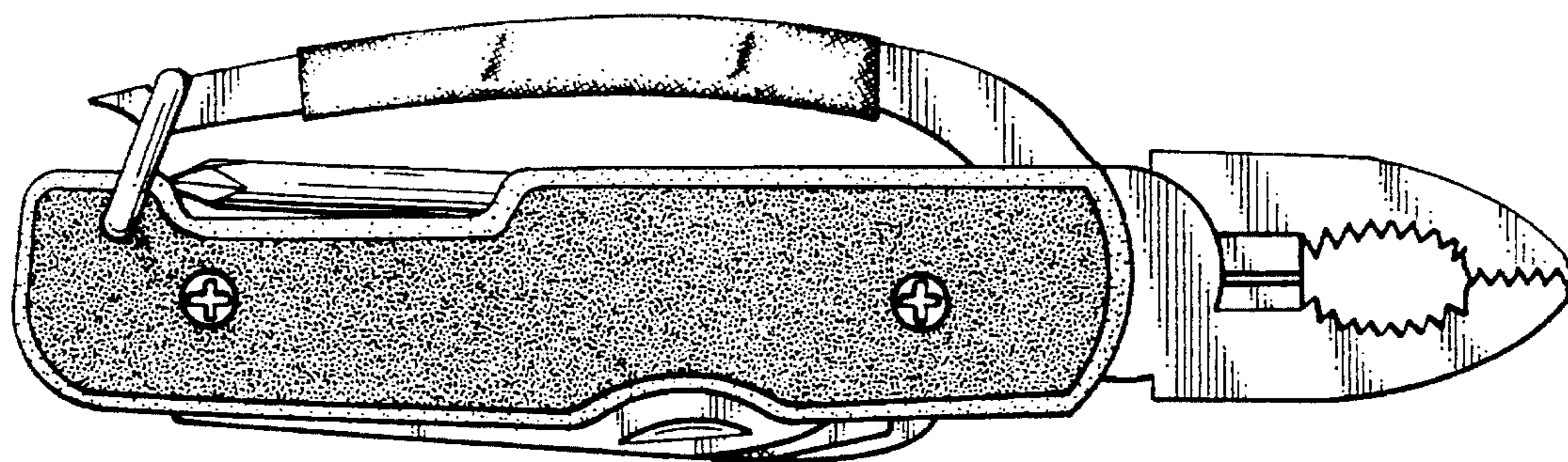


FIG. 3

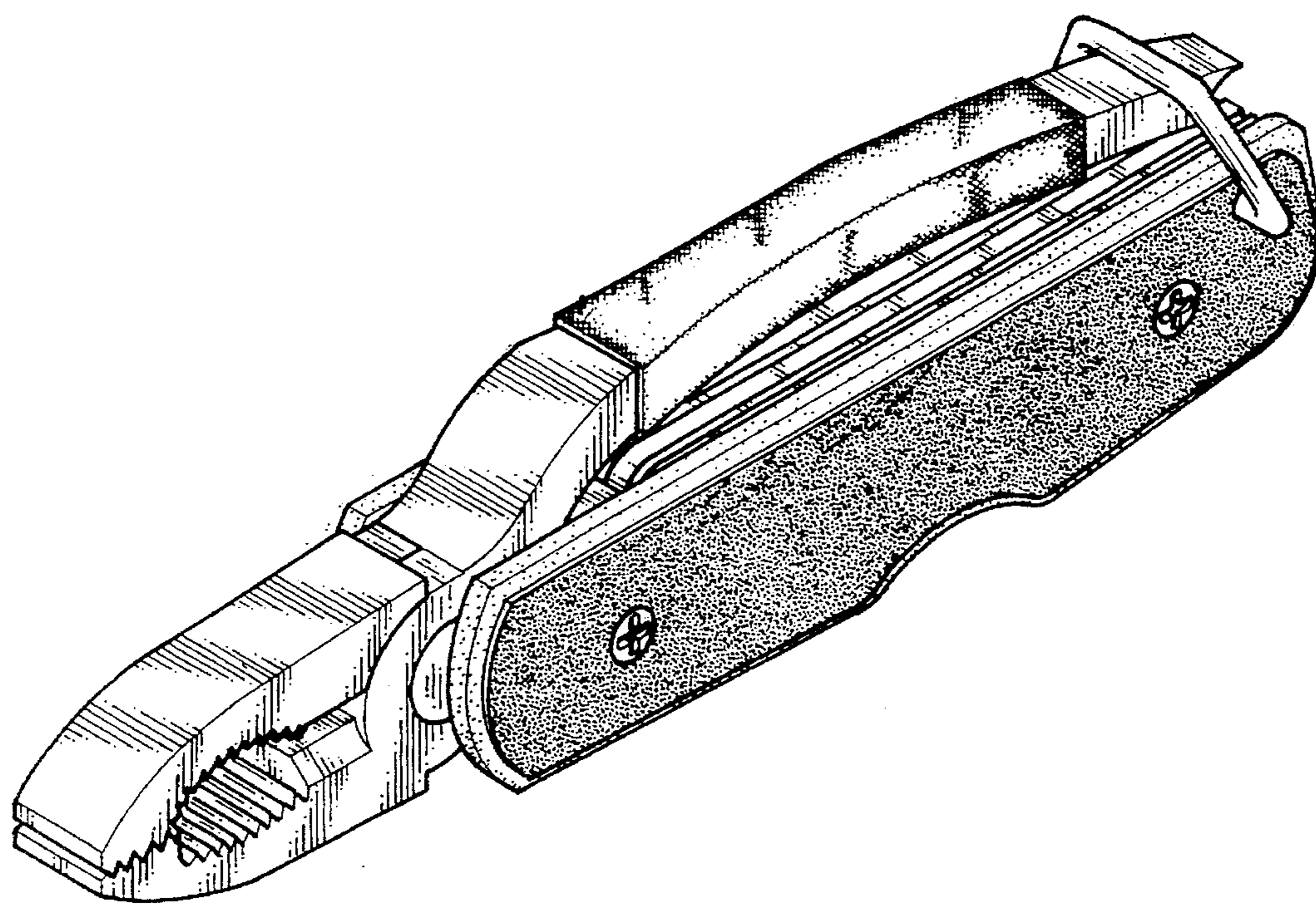


FIG. 1

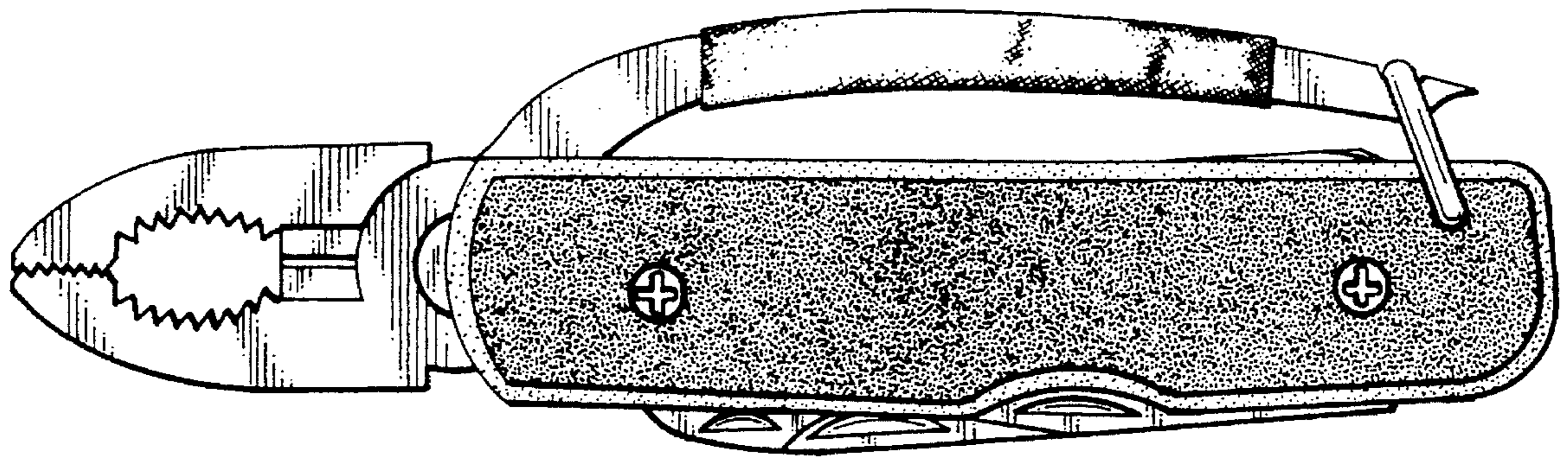


FIG. 2

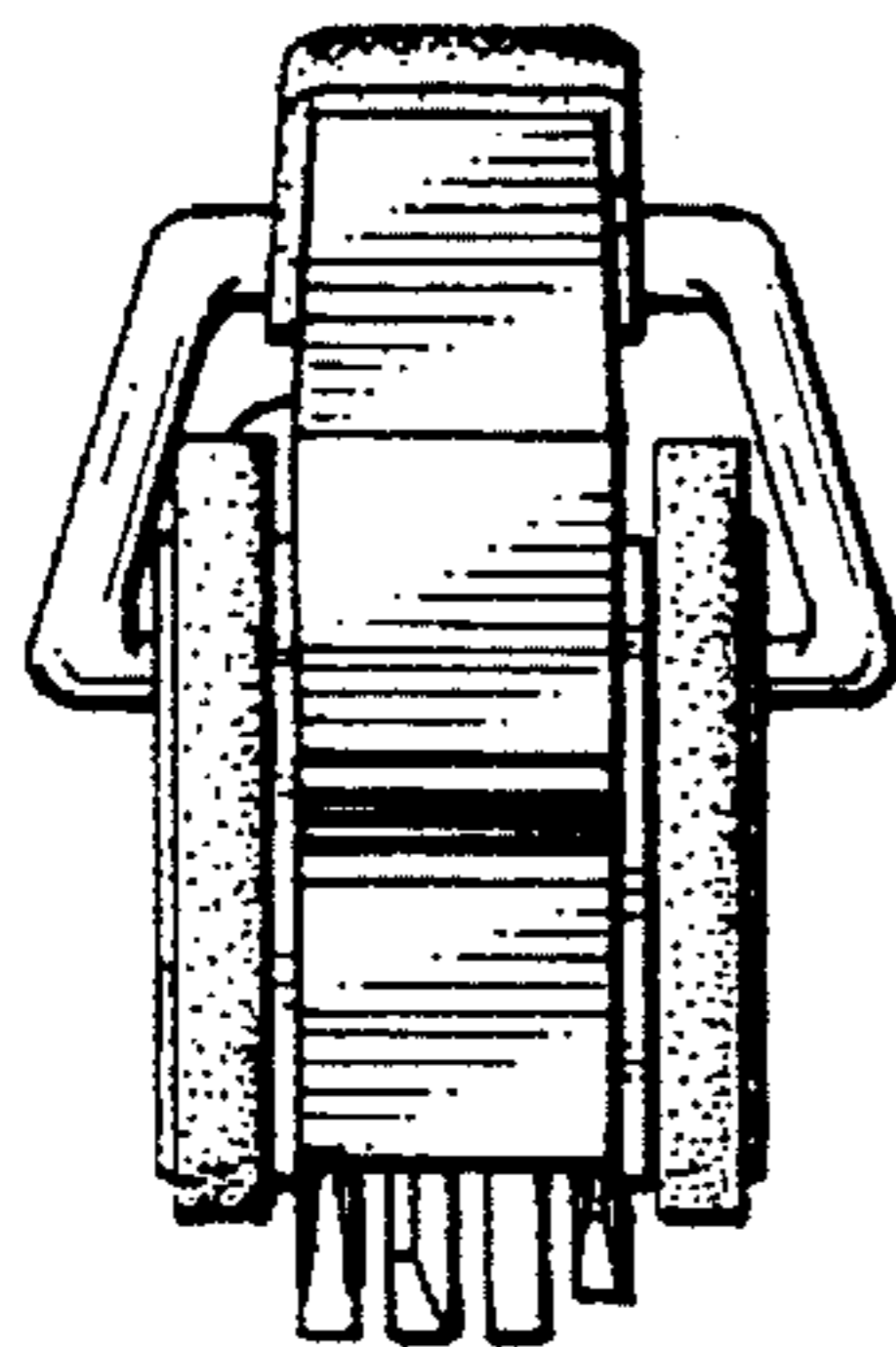


FIG. 4

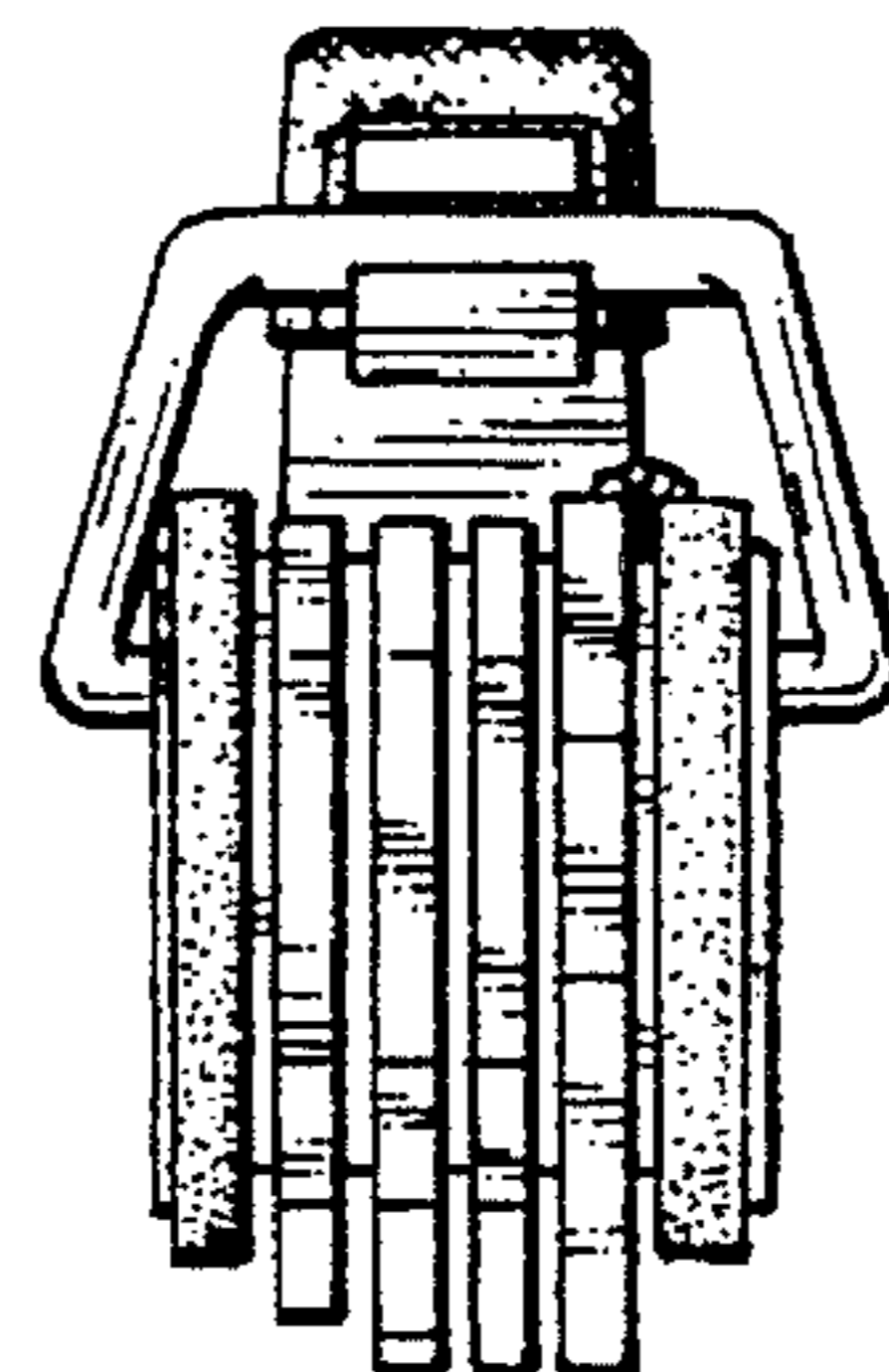


FIG. 5

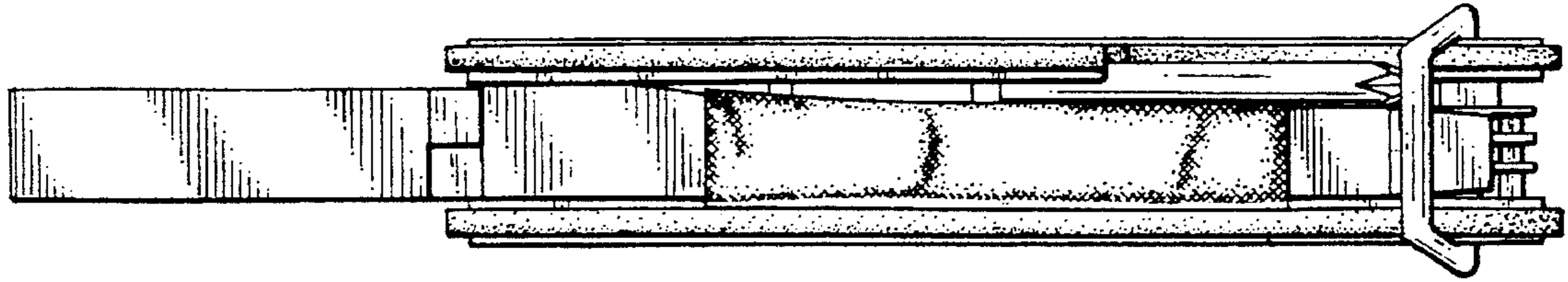


FIG. 6

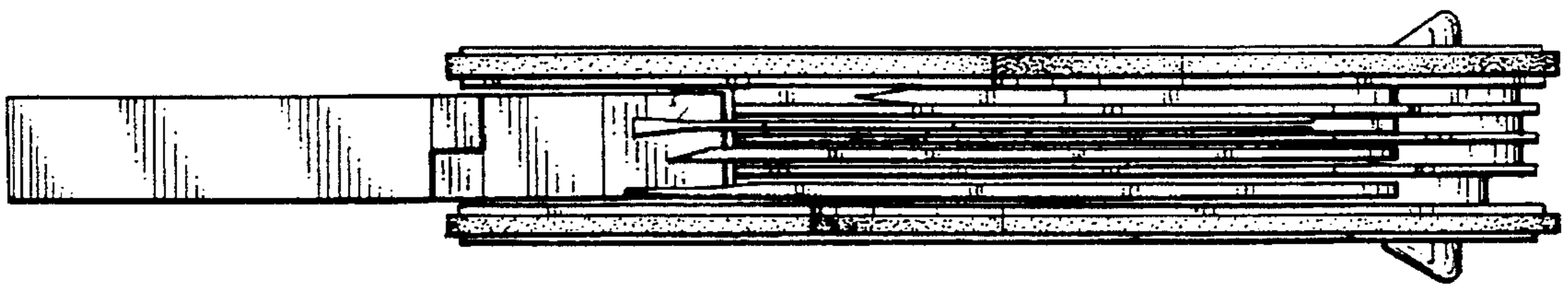


FIG. 7