



US00D367805S

United States Patent [19] Pringle

[11] Patent Number: **Des. 367,805**

[45] Date of Patent: ****Mar. 12, 1996**

[54] **VARIABLE HEAT GLUE APPLICATION GUN**

[76] Inventor: **Kenneth Pringle**, R.R. 5 Box 5561
Aberdeen Rd., Moscow, Pa. 18444

[**] Term: **14 Years**

[21] Appl. No.: **26,763**

[22] Filed: **Jul. 27, 1994**

[52] U.S. Cl. **D8/29.1**

[58] Field of Search D8/14.1, 29.1,
D8/29.2, 30, 61, 68; 222/146.2, 146.5

[56] **References Cited**

U.S. PATENT DOCUMENTS

D. 280,378	9/1985	Nüesse et al.	D8/30
D. 297,299	8/1988	Krause	D8/30
D. 303,611	9/1989	Spirk .	
D. 303,612	9/1989	Knispel .	
D. 315,852	4/1991	Nusse .	
D. 316,215	4/1991	Belanger	D8/30
D. 316,506	4/1991	Nüesse et al.	D8/30
3,831,631	8/1974	Draxler	D8/30 X
4,658,991	4/1987	Dziki	222/146.5

OTHER PUBLICATIONS

Hardware Age, Jan. 15, 1969, p. 105, see pictured electric glue gun.

Primary Examiner—Martie Thompson
Attorney, Agent, or Firm—Terry M. Gernstein

[57] **CLAIM**

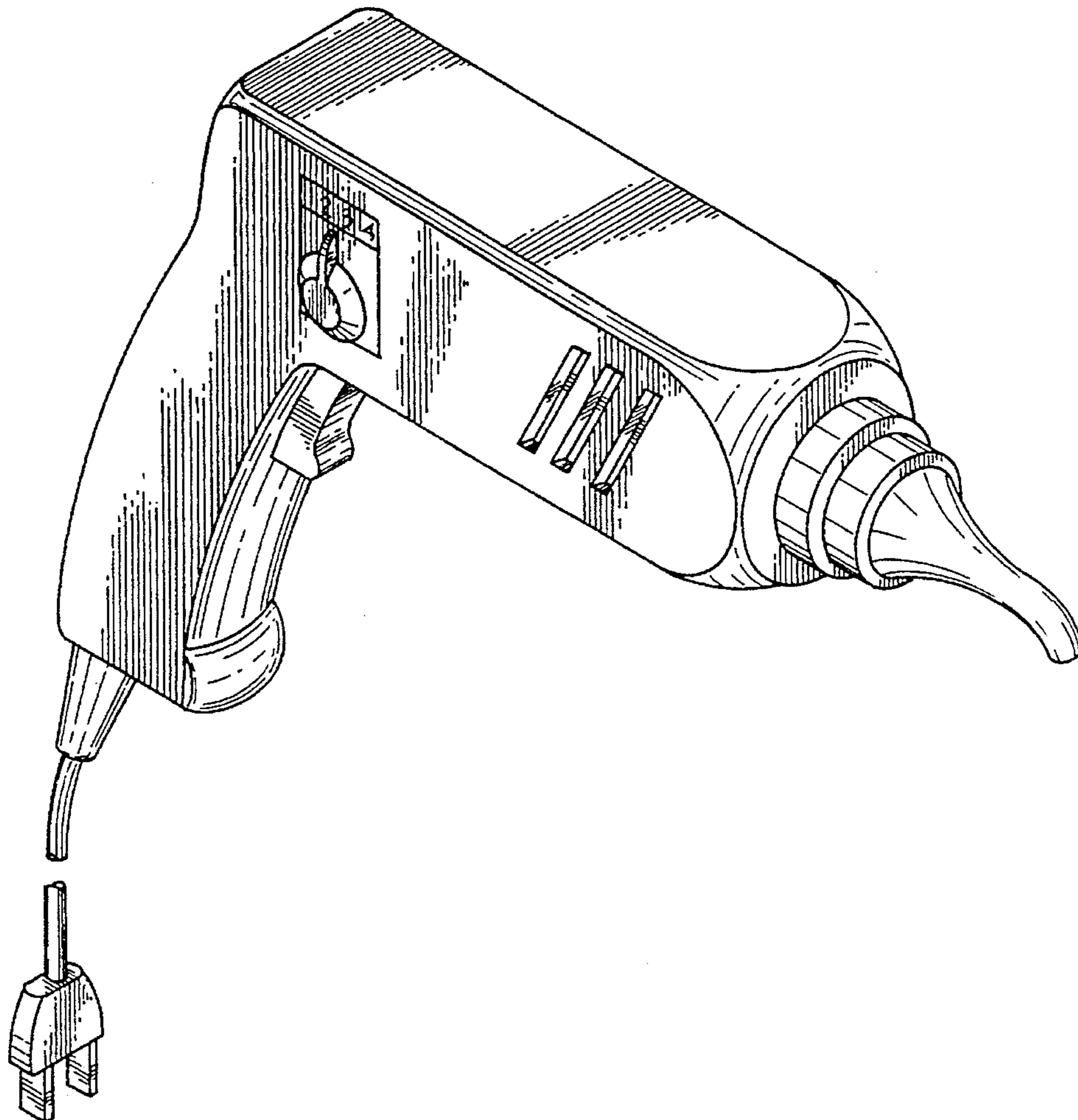
The ornamental design for a variable heat glue application gun, as shown and described.

DESCRIPTION

FIG. 1 is a front, top and side perspective view of the variable heat glue application gun showing my new design; FIG. 2 is a front elevational view thereof; FIG. 3 is a rear elevational view thereof; FIG. 4 is an end elevational view thereof; FIG. 5 is an end elevational view thereof; FIG. 6 is a top plan view thereof; and, FIG. 7 is a bottom plan view thereof.

The electrical cord has been shown broken away in FIGS. 1 through 5 for the purpose of indicating indeterminate length.

1 Claim, 5 Drawing Sheets



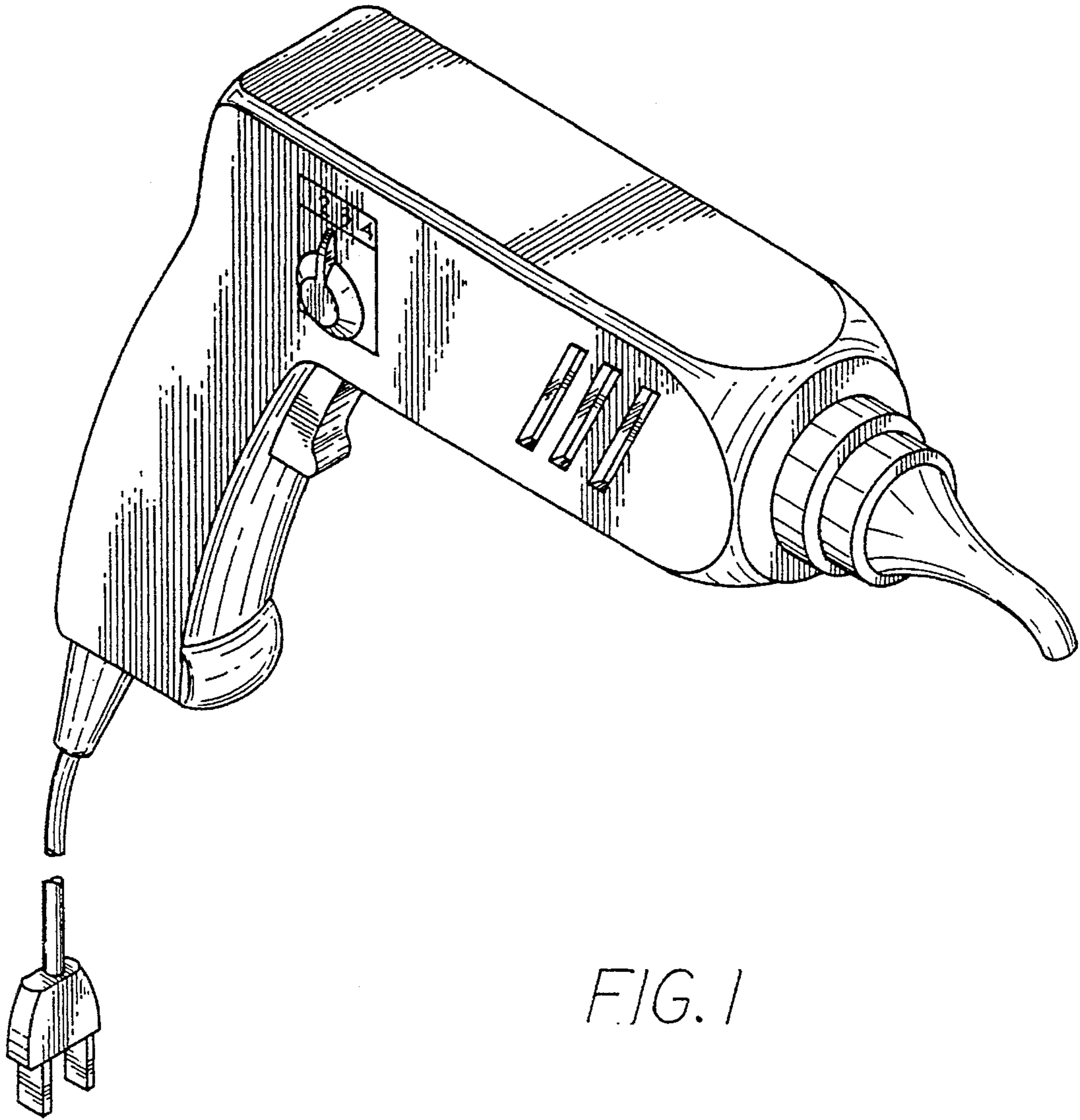


FIG. 1

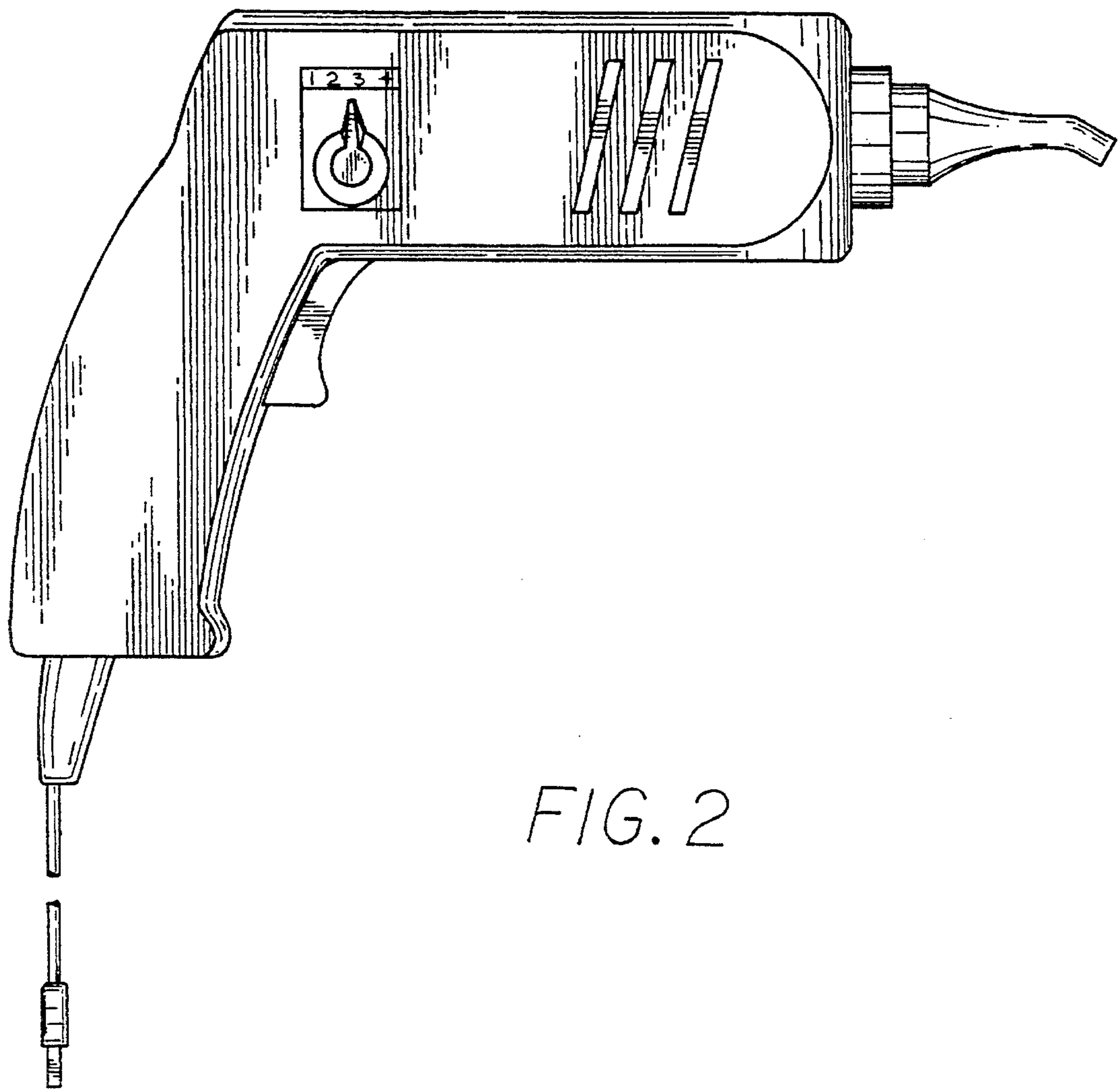


FIG. 2

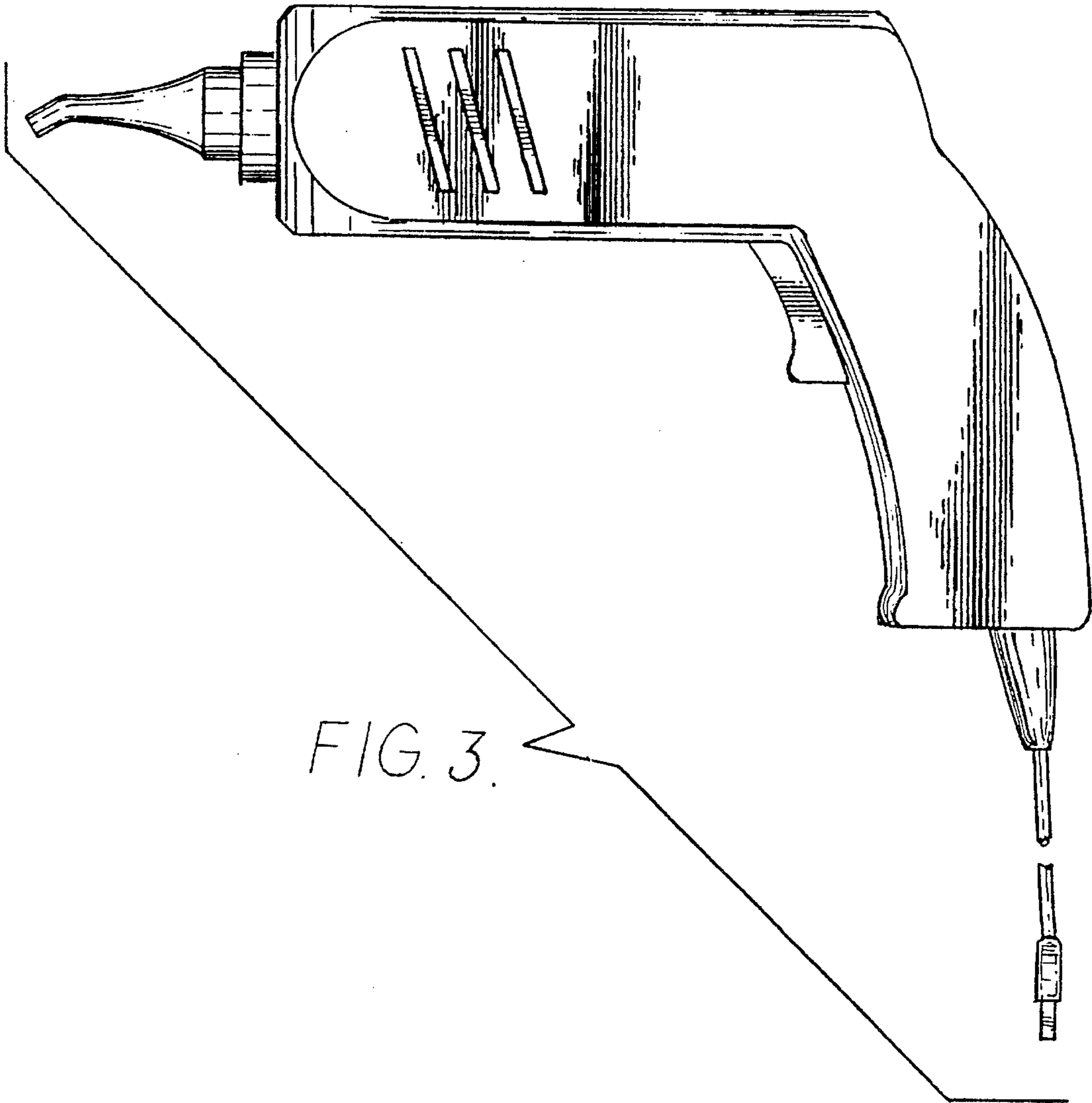


FIG. 3.

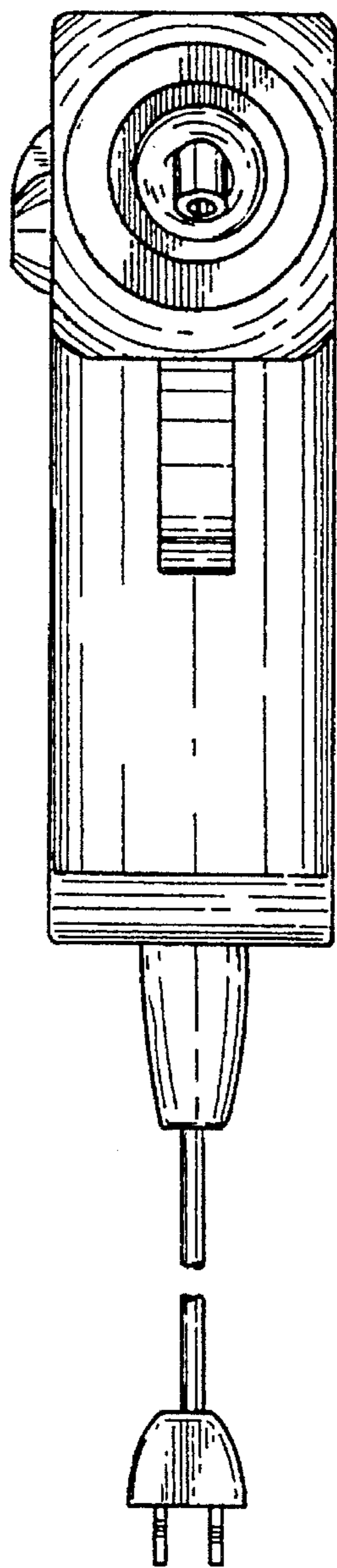


FIG. 4

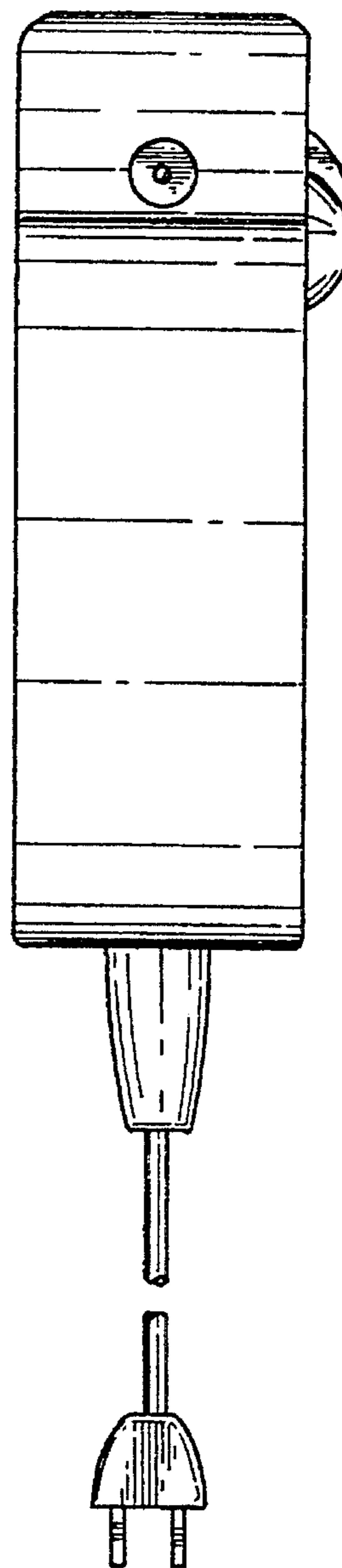


FIG. 5

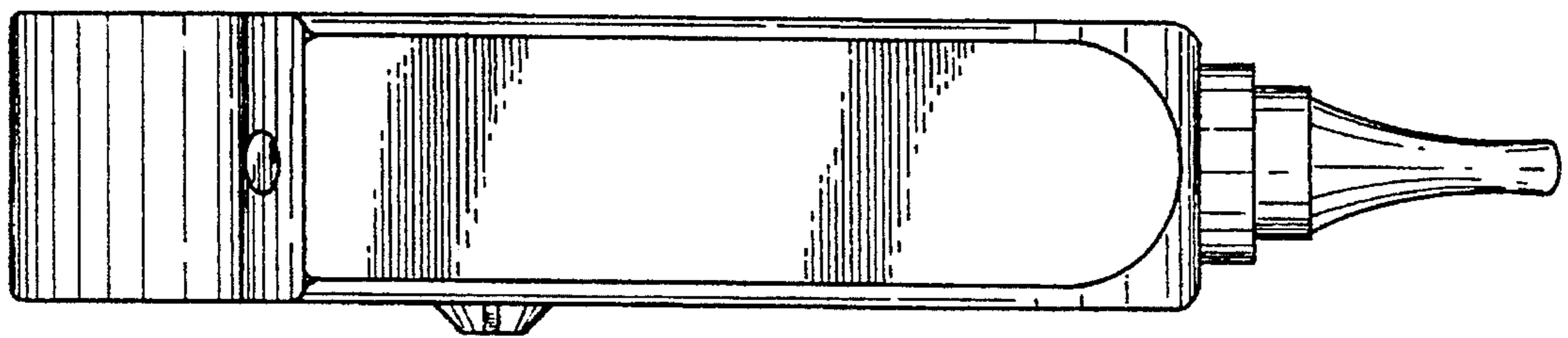


FIG. 6

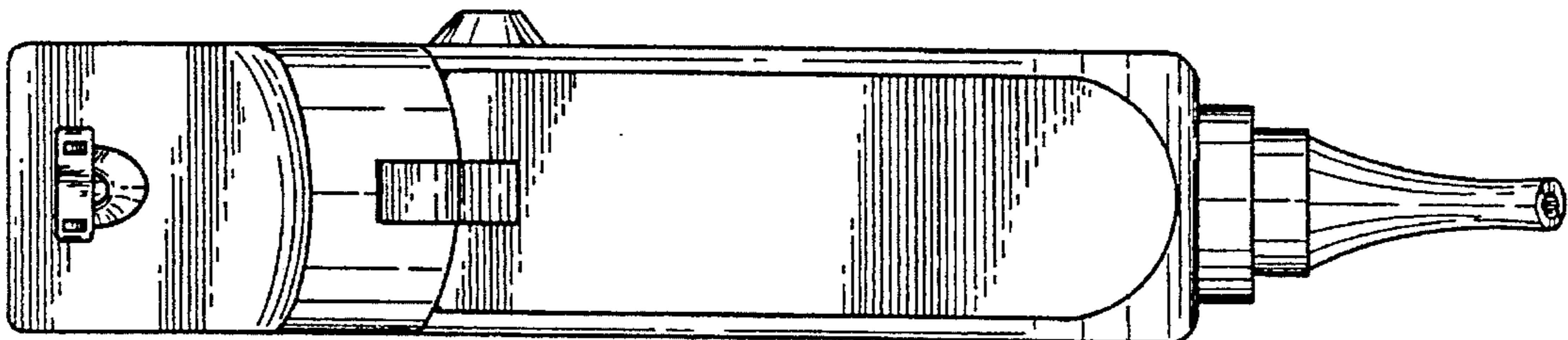


FIG. 7