



US00D367802S

United States Patent [19]

[11] Patent Number: **Des. 367,802**

Lewis et al.

[45] Date of Patent: ****Mar. 12, 1996**

[54] **COOKTOP BURNER GRATE**

1,697,184	1/1929	Harner et al.	D7/408
2,887,103	5/1959	Reeves	D7/408
3,724,441	4/1973	Finley	126/214 R

[75] Inventors: **Robert A. Lewis**, Alta Loma; **Harold Cole**, Monterey Park; **Alan Leukhardt**, La Verne; **Ray G. Smith**, Los Angeles, all of Calif.

OTHER PUBLICATIONS

Brochure entitled "Dacor is cooking on all six". ©Jun. 1991.

[73] Assignee: **Dacor**, Pasadena, Calif.

Primary Examiner—Ruth McInroy
Attorney, Agent, or Firm—Lyon & Lyon

[**] Term: **14 Years**

[57] **CLAIM**

[21] Appl. No.: **22,882**

The ornamental design for a cooktop burner grate, as shown and described.

[22] Filed: **May 13, 1994**

[52] U.S. Cl. **D7/408**

DESCRIPTION

[58] Field of Search D7/402, 407-409, D7/346; 126/214 C, 215, 211, 214 R

FIG. 1 is a front perspective view of a cooktop burner grate showing our new design;
FIG. 2 is a top plan view thereof;
FIG. 3 is a side elevational view thereof; and,
FIG. 4 is an end elevational view thereof.

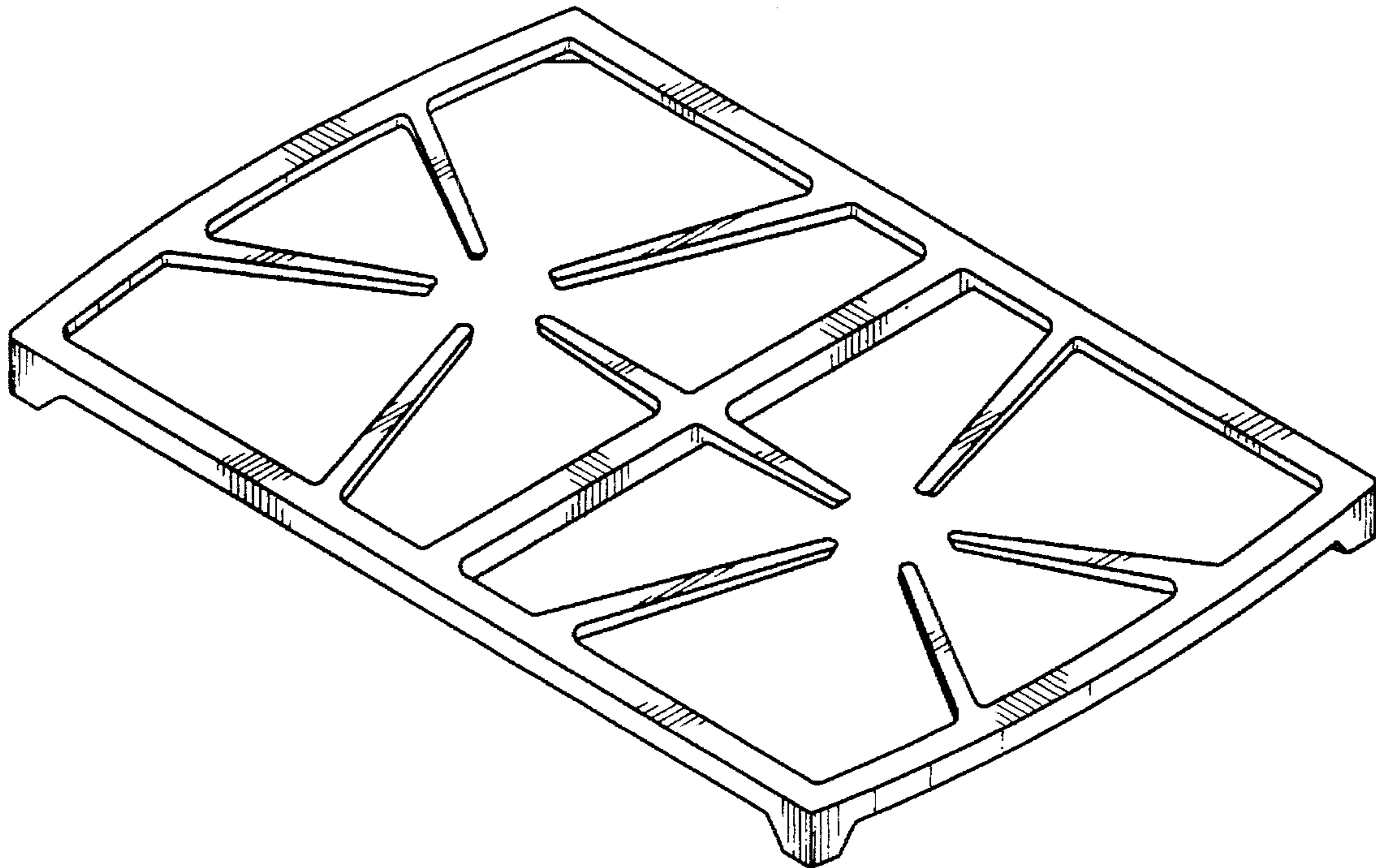
A view from the opposite direction in FIG. 3 and 4 would be identical.

[56] **References Cited**

U.S. PATENT DOCUMENTS

D. 209,436	11/1967	Myler	D7/408
D. 301,534	6/1989	Binzer	D7/408
D. 303,609	9/1989	Binzer	D7/408
D. 343,336	1/1994	Falk	D7/407
D. 353,300	12/1994	Edman et al.	D7/408

1 Claim, 1 Drawing Sheet



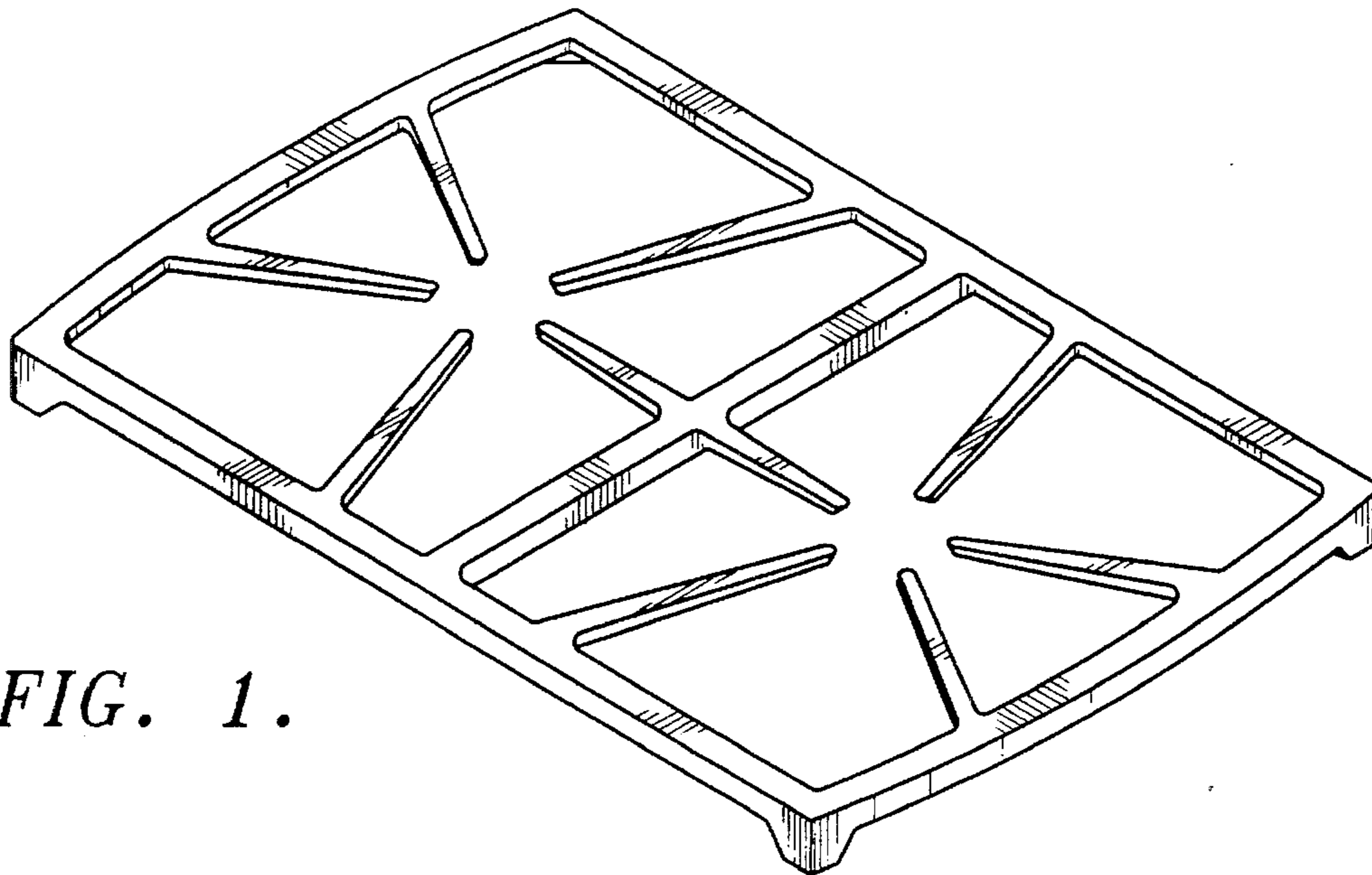


FIG. 1.

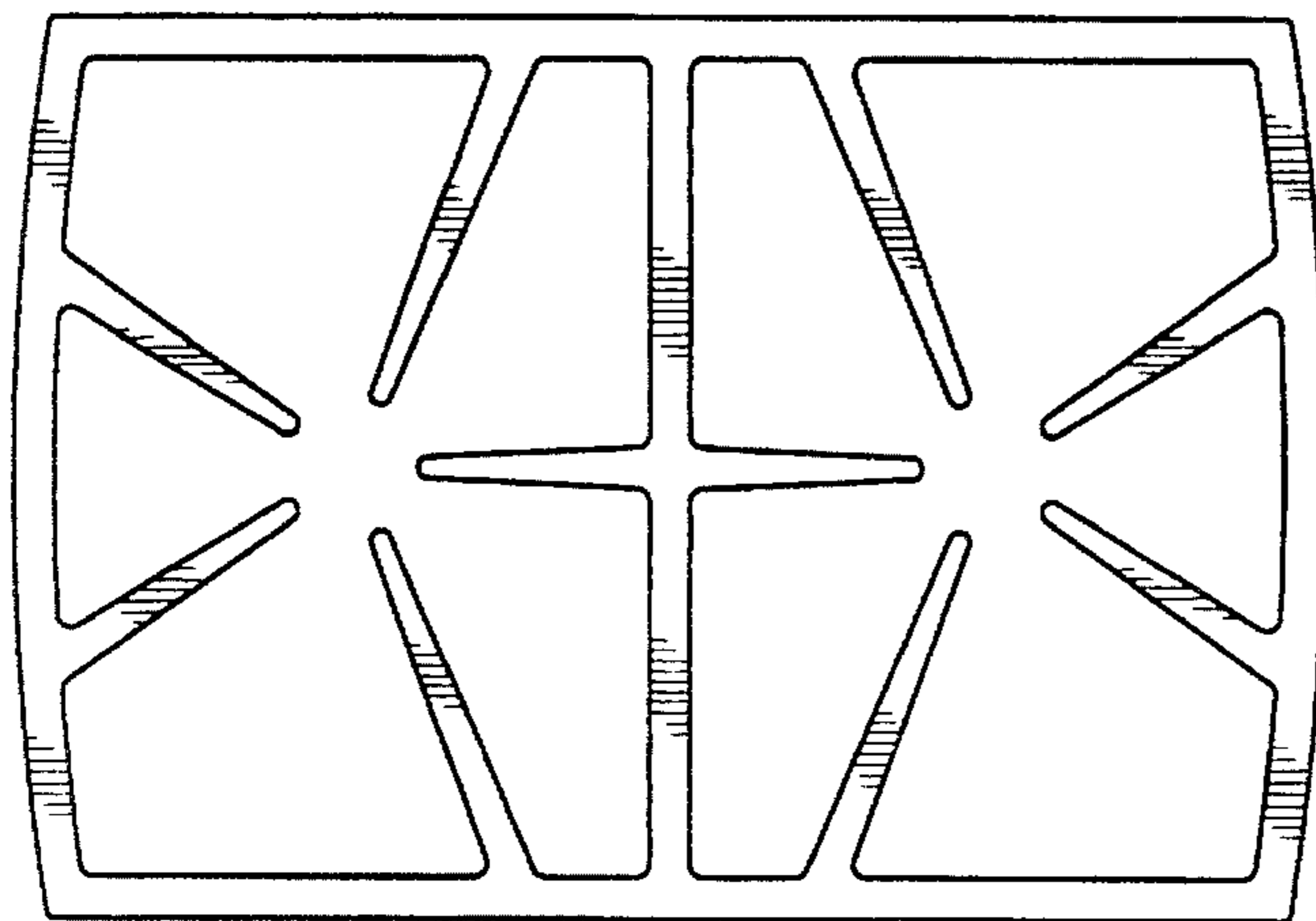


FIG. 2.

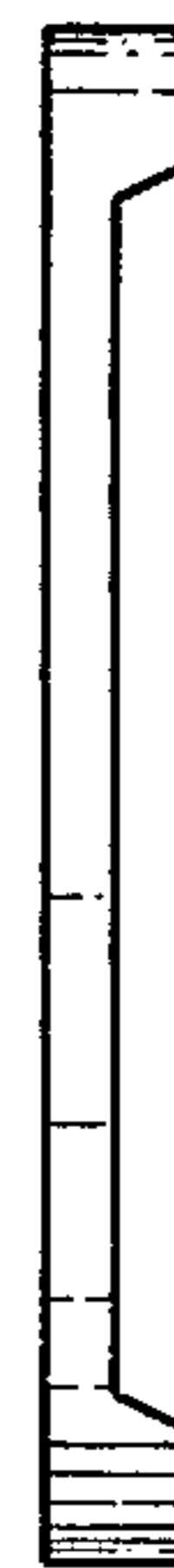


FIG. 4.

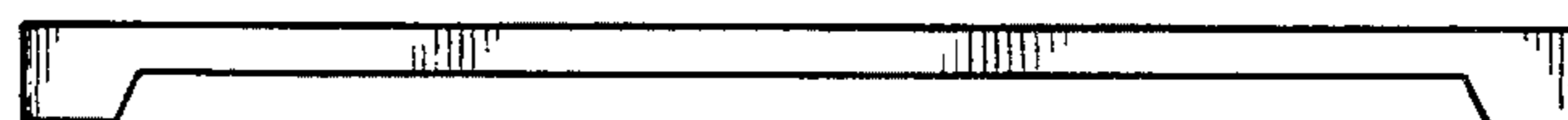


FIG. 3.