



US00D367800S

United States Patent [19]

Littmann

[11] Patent Number: **Des. 367,800**

[45] Date of Patent: ****Mar. 12, 1996**

[54] **FOOD PROCESSOR**

[75] Inventor: **Ludwig Littmann**, Kronberg, Germany

[73] Assignee: **Braun Aktiengesellschaft**,
Kronbert/Ts., Germany

[**] Term: **14 Years**

[21] Appl. No.: **37,934**

[22] Filed: **Apr. 24, 1995**

[30] Foreign Application Priority Data

Oct. 24, 1994 [DE] Germany 94 08 318.5

[52] U.S. Cl. **D7/384; D7/376**

[58] Field of Search D7/376-378, 381,
D7/384, 386, 412; 241/37.5, 92.93, 101.1,
199.12, 282.1, 282.2

[56] References Cited

U.S. PATENT DOCUMENTS

D. 320,717 10/1991 O'Brien D7/384

D. 330,145 10/1992 Maass D7/376 X
D. 350,451 9/1994 Dickson D7/376 X

Primary Examiner—Alan P. Douglas
Assistant Examiner—Caron D. Veynar
Attorney, Agent, or Firm—Fish & Richardson

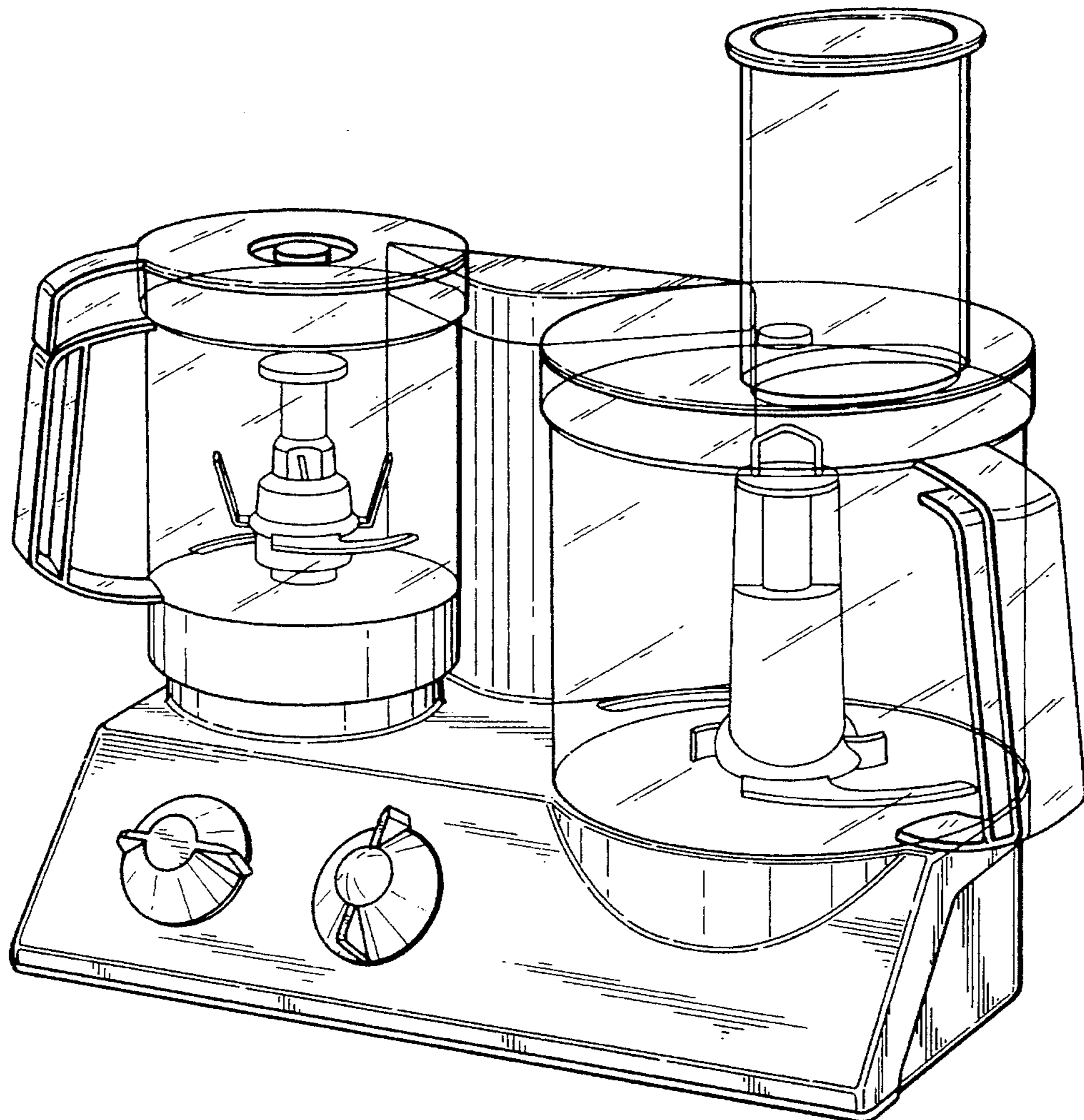
[57] CLAIM

The ornamental design for a food processor, as shown and described.

DESCRIPTION

FIG. 1 is a perspective right-side front elevational view of the food processor, showing my design;
FIG. 2 is a front view of the appliance of FIG. 1;
FIG. 3 is a right-side view of the appliance of FIG. 2;
FIG. 4 is a left-side view of the appliance of FIG. 2;
FIG. 5 is a rear view of the appliance of FIG. 2;
FIG. 6 is a top plan view of the appliance of FIG. 2; and,
FIG. 7 is a bottom plan view of the appliance of FIG. 2.

1 Claim, 6 Drawing Sheets



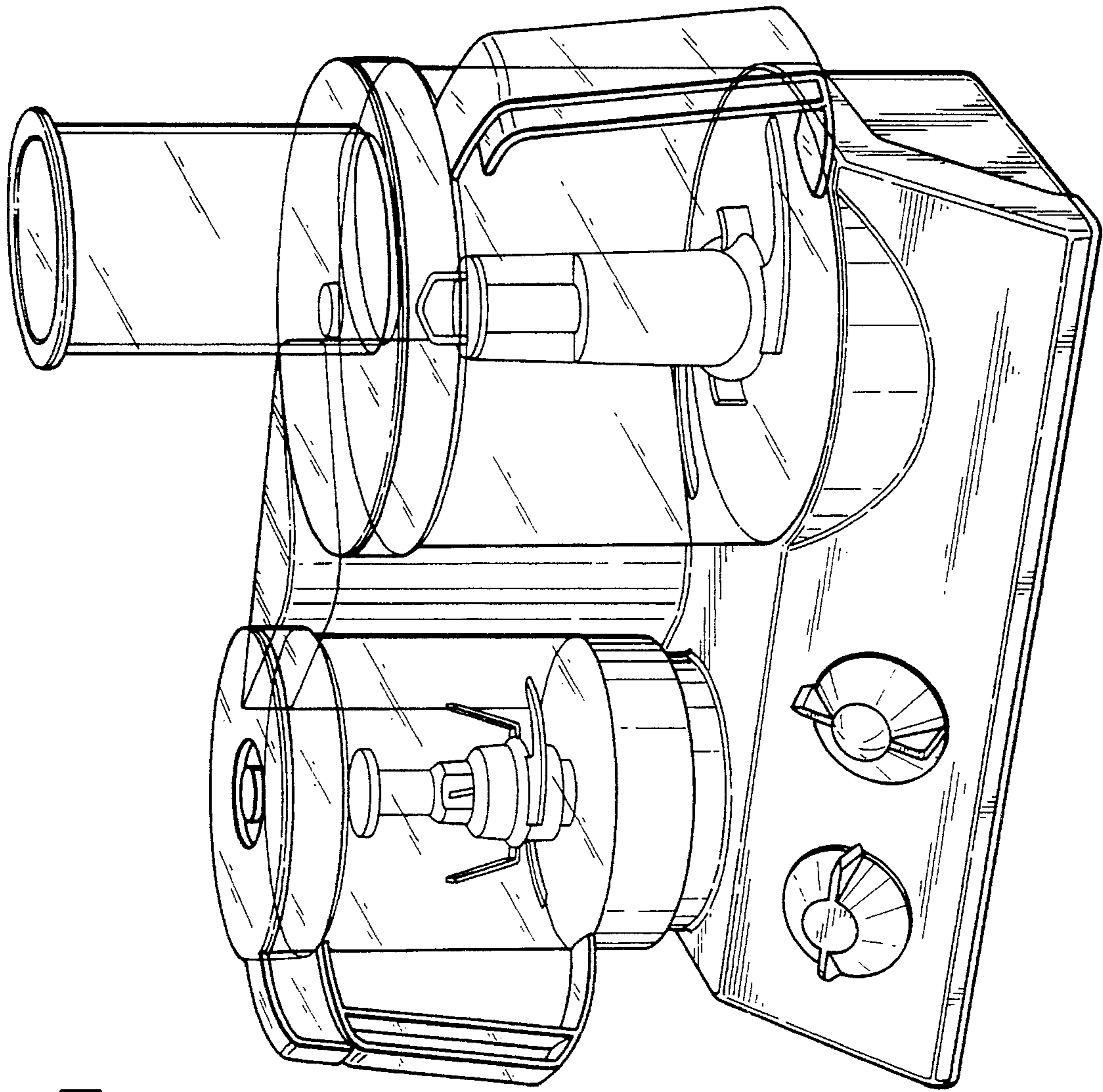


Fig. 1

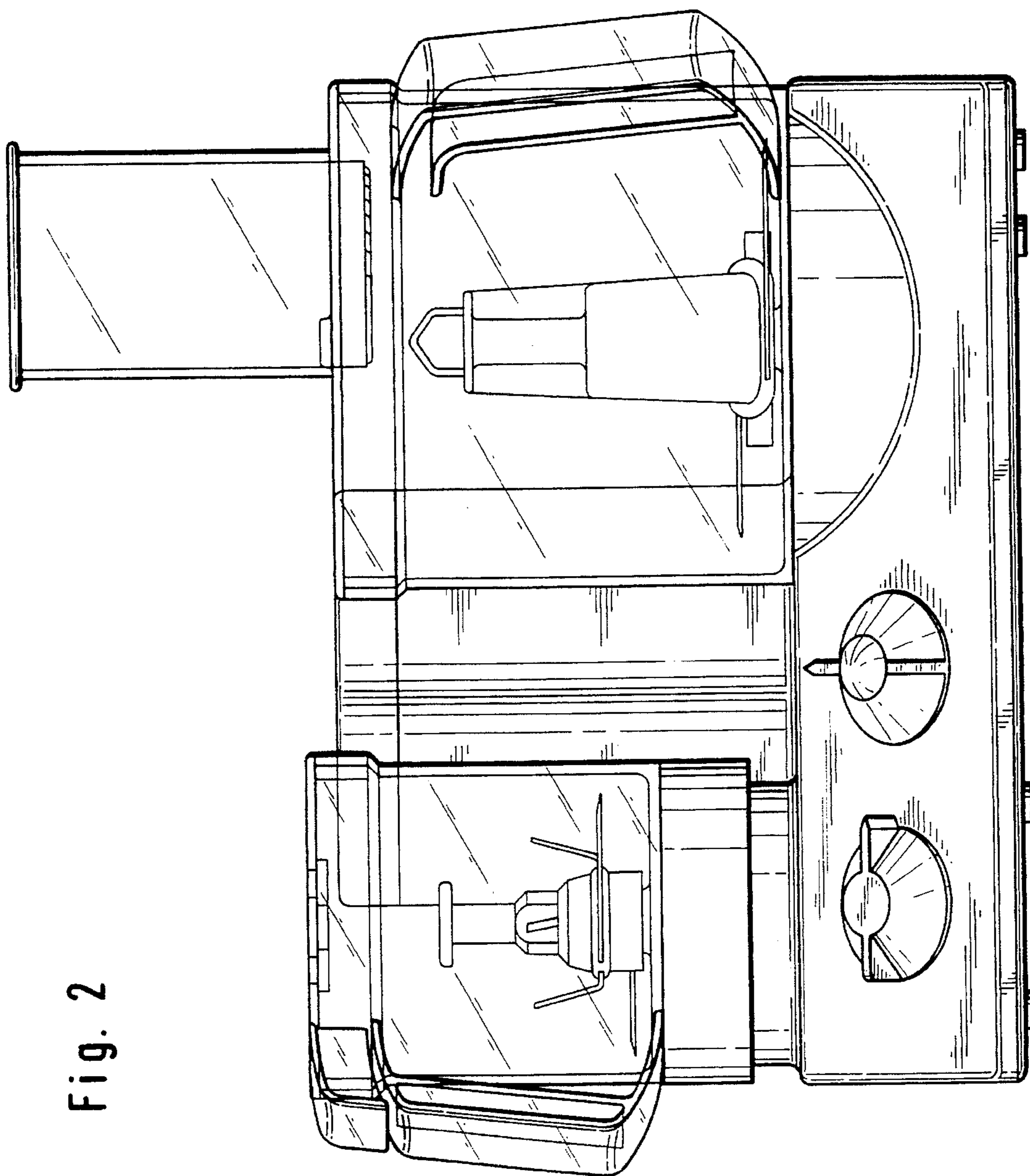


Fig. 2

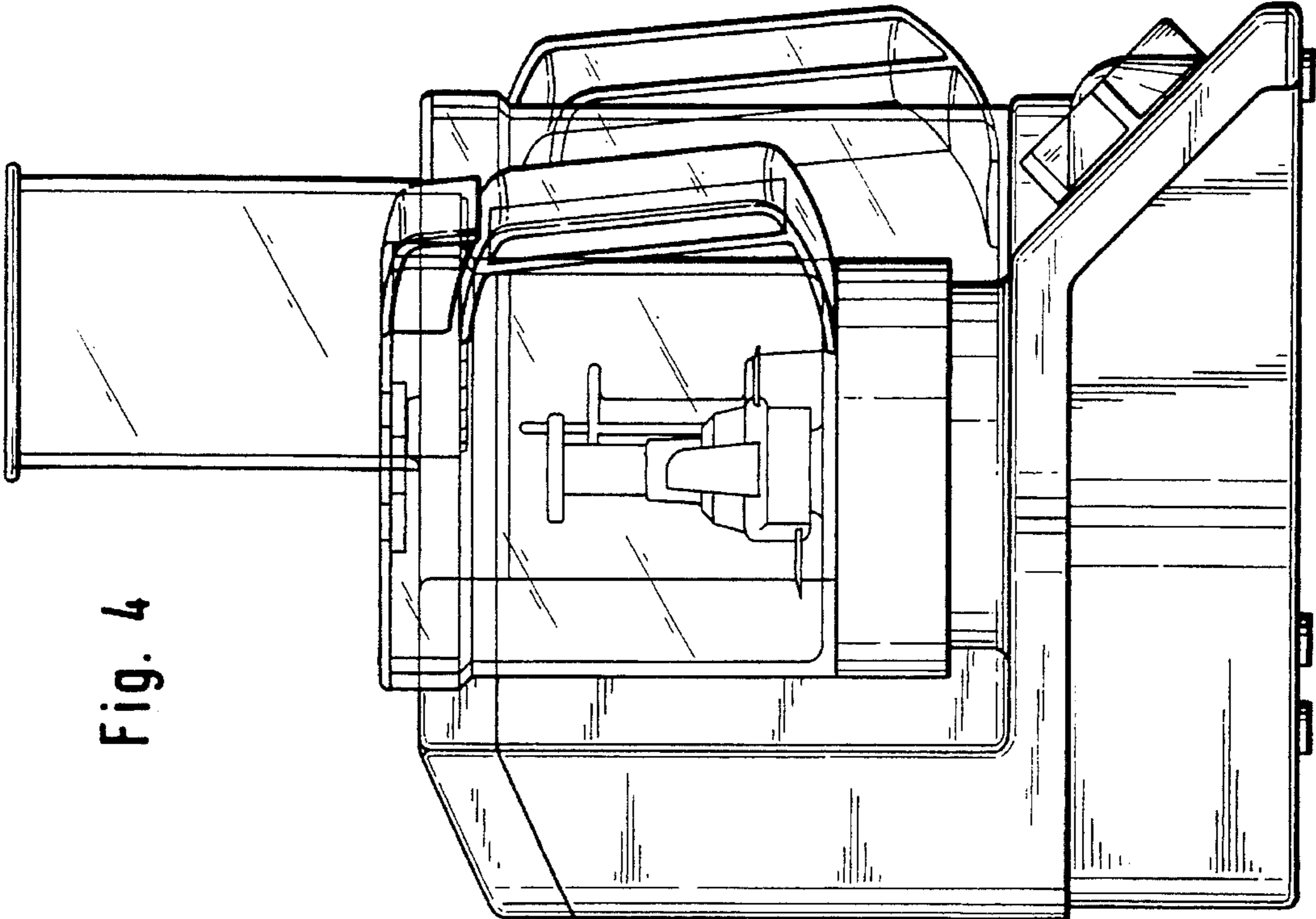


Fig. 4

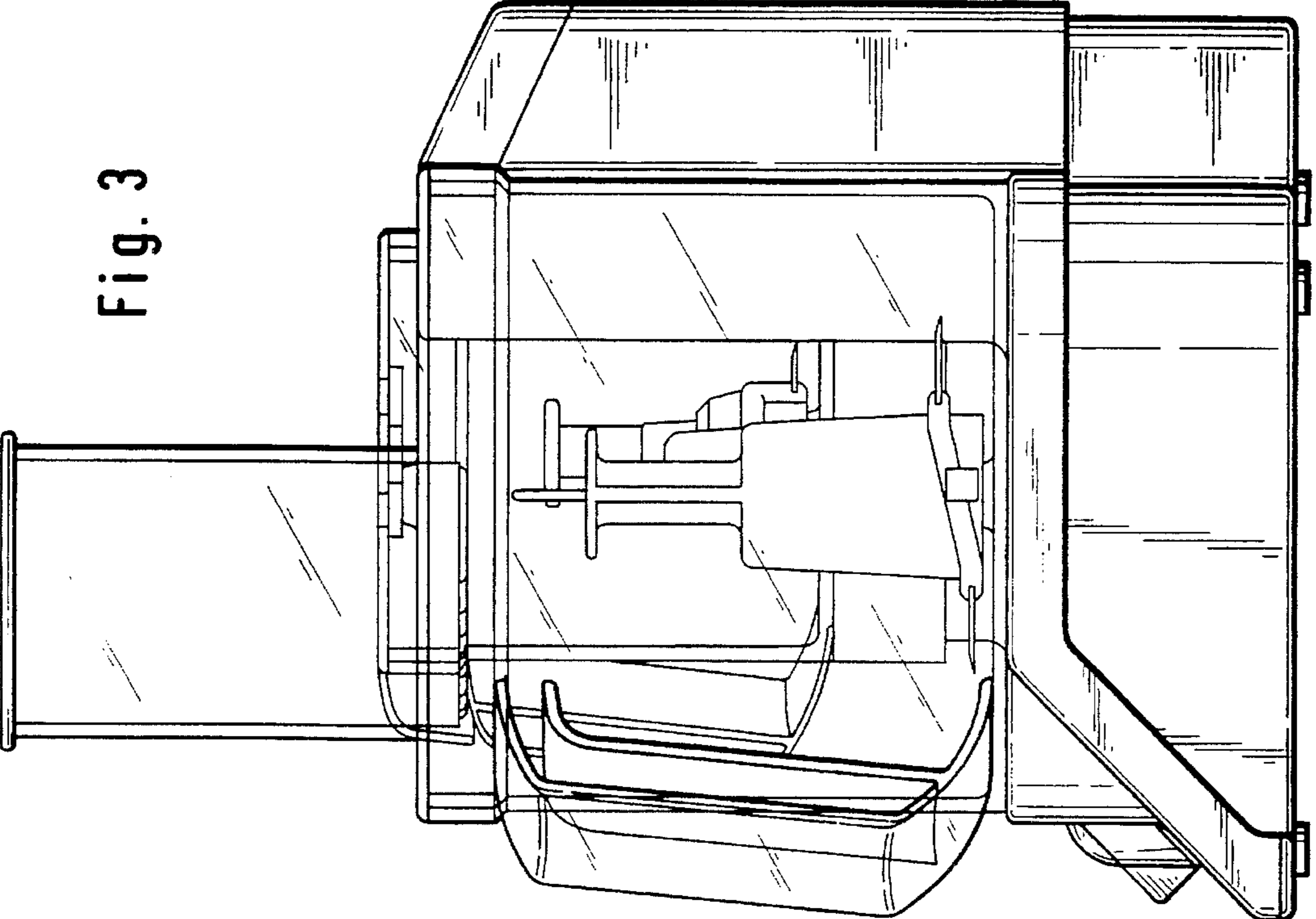


Fig. 3

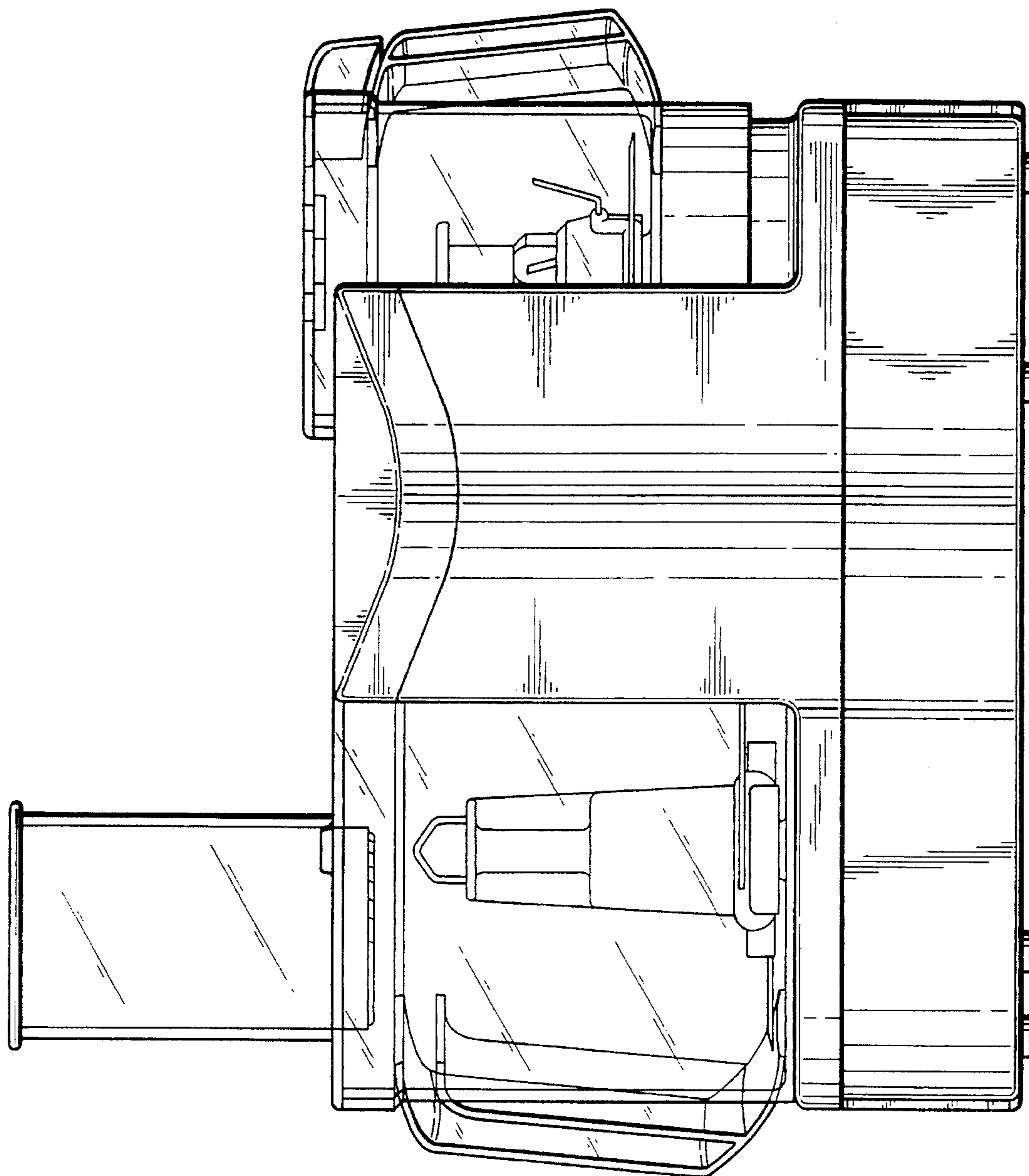


Fig. 5

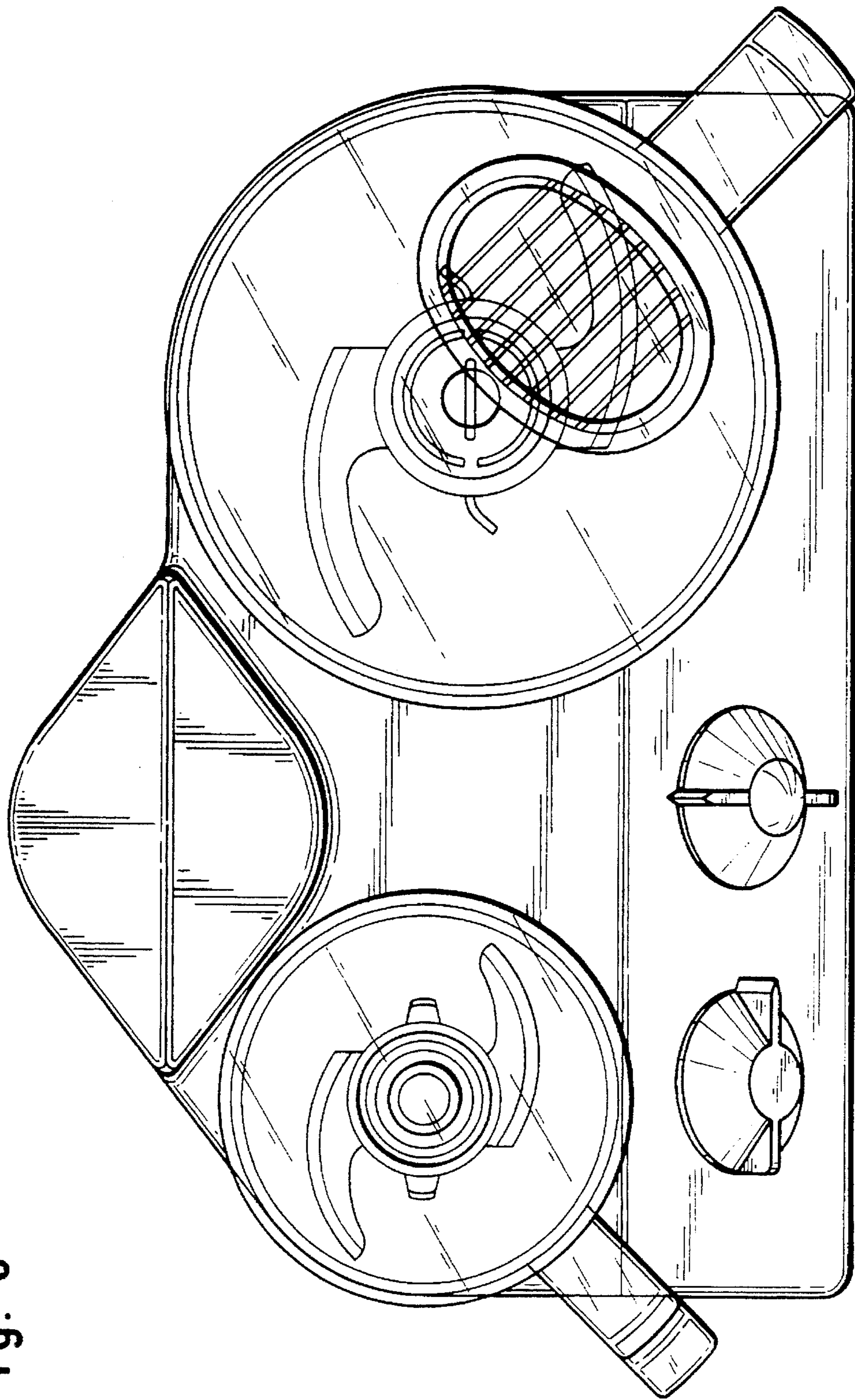


Fig. 6

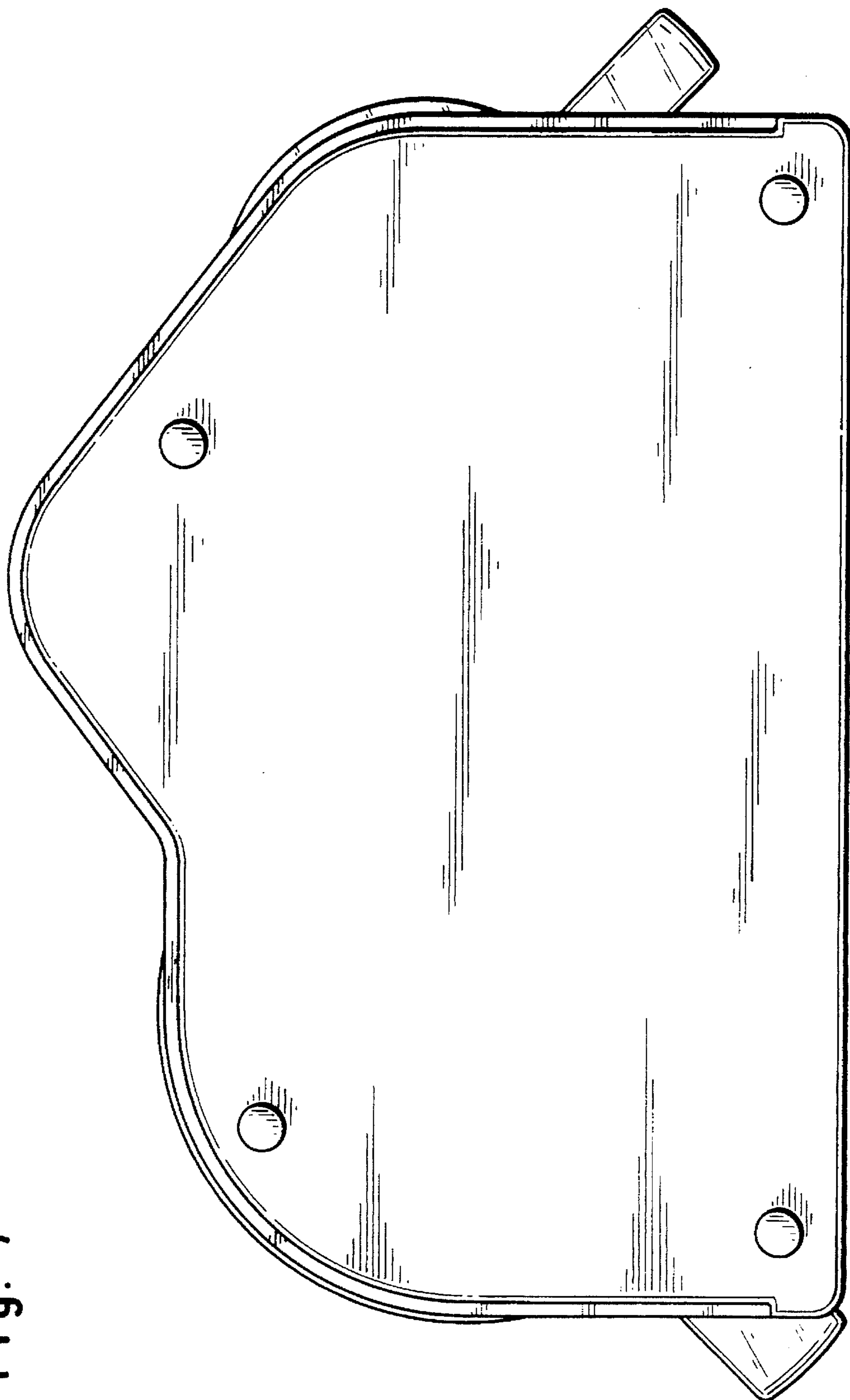


Fig. 7