



US00D367799S

# United States Patent [19]

[11] Patent Number: **Des. 367,799**

Pai

[45] Date of Patent: **\*\*Mar. 12, 1996**

[54] **BARBEQUE GRILL KETTLE**

*Attorney, Agent, or Firm*—Morton J. Rosenberg; David I. Klein

[76] Inventor: **Tse-fa Pai**, No. 616, Yungfang Rd.,  
Tungfang Li, Changhua, Taiwan

[\*\*] Term: **14 Years**

## [57] CLAIM

The ornamental design for a barbeque grill kettle, as shown and described.

[21] Appl. No.: **35,645**

[22] Filed: **Mar. 3, 1995**

[52] U.S. Cl. .... **D7/332**

[58] Field of Search ..... D7/332, 334, 339,  
D7/346, 347, 354, 355, 356, 350, 365;  
126/25 R, 25 A, 25 AA, 29, 30

## DESCRIPTION

### [56] References Cited

#### U.S. PATENT DOCUMENTS

D. 25,482	5/1896	Vosburgh	.....	D7/354
D. 86,401	12/1931	Osius	.....	D7/360
D. 228,274	9/1973	Cross	.....	D7/337
D. 256,646	9/1980	Painter et al.	.....	D7/360
D. 257,206	10/1980	Vincent	.....	D7/332

#### OTHER PUBLICATIONS

Weber products catalog—Aug. 1984 pp. 6–12.

*Primary Examiner*—Louis S. Zarfes  
*Assistant Examiner*—Gregory Andoll

FIG. 1 is a front-left-top perspective view of a barbeque grill kettle, showing my new design, the legs and support brace are shown in broken lines for illustrative purposes only and form no part of the claimed design;

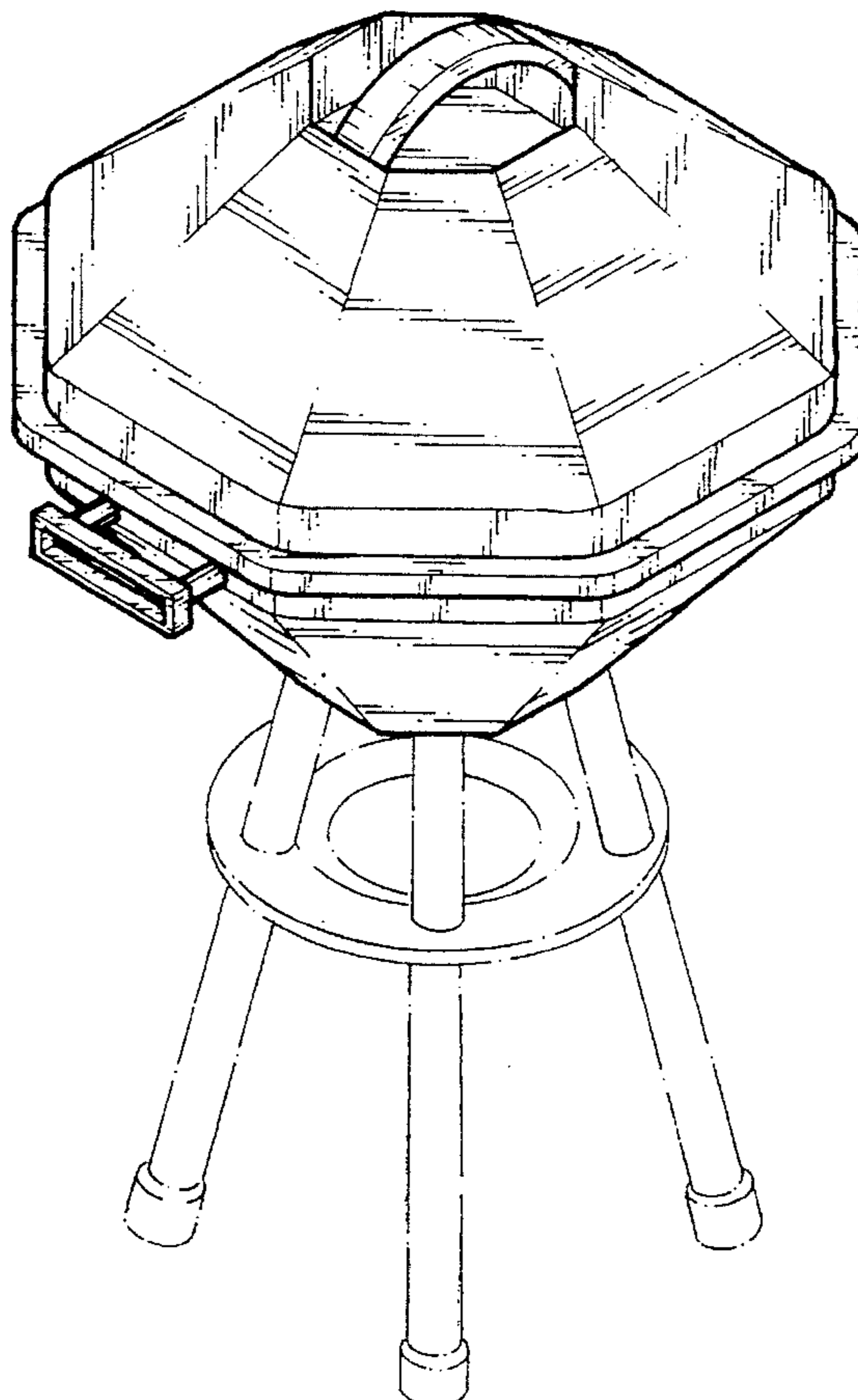
FIG. 2 is a front elevational view thereof (the rear elevational view being a mirror image thereof);

FIG. 3 is a left side elevational view thereof (the right side elevational view being a mirror image thereof);

FIG. 4 is a top plan view thereof; and,

FIG. 5 is a bottom plan view thereof.

**1 Claim, 5 Drawing Sheets**



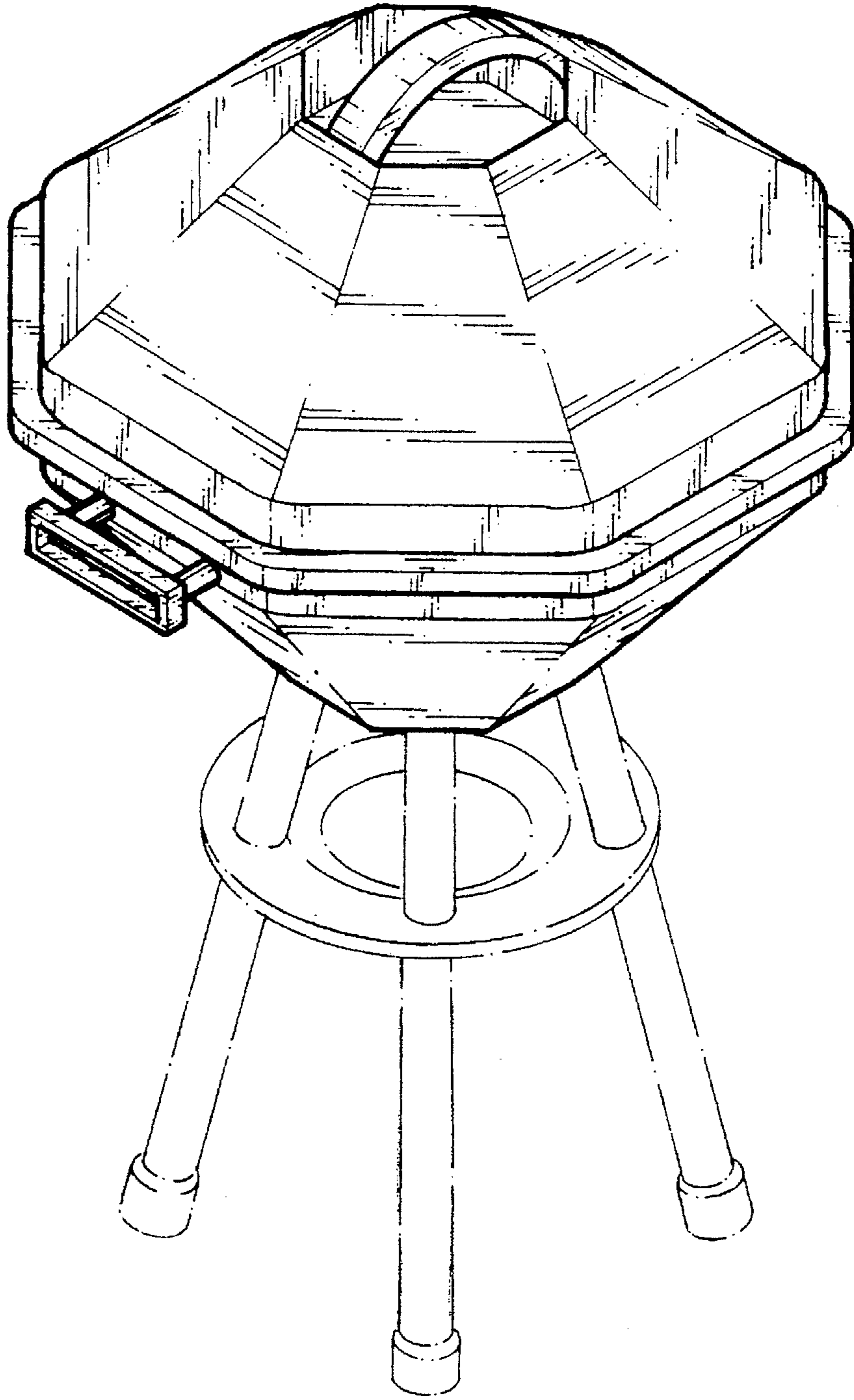


FIG. 1

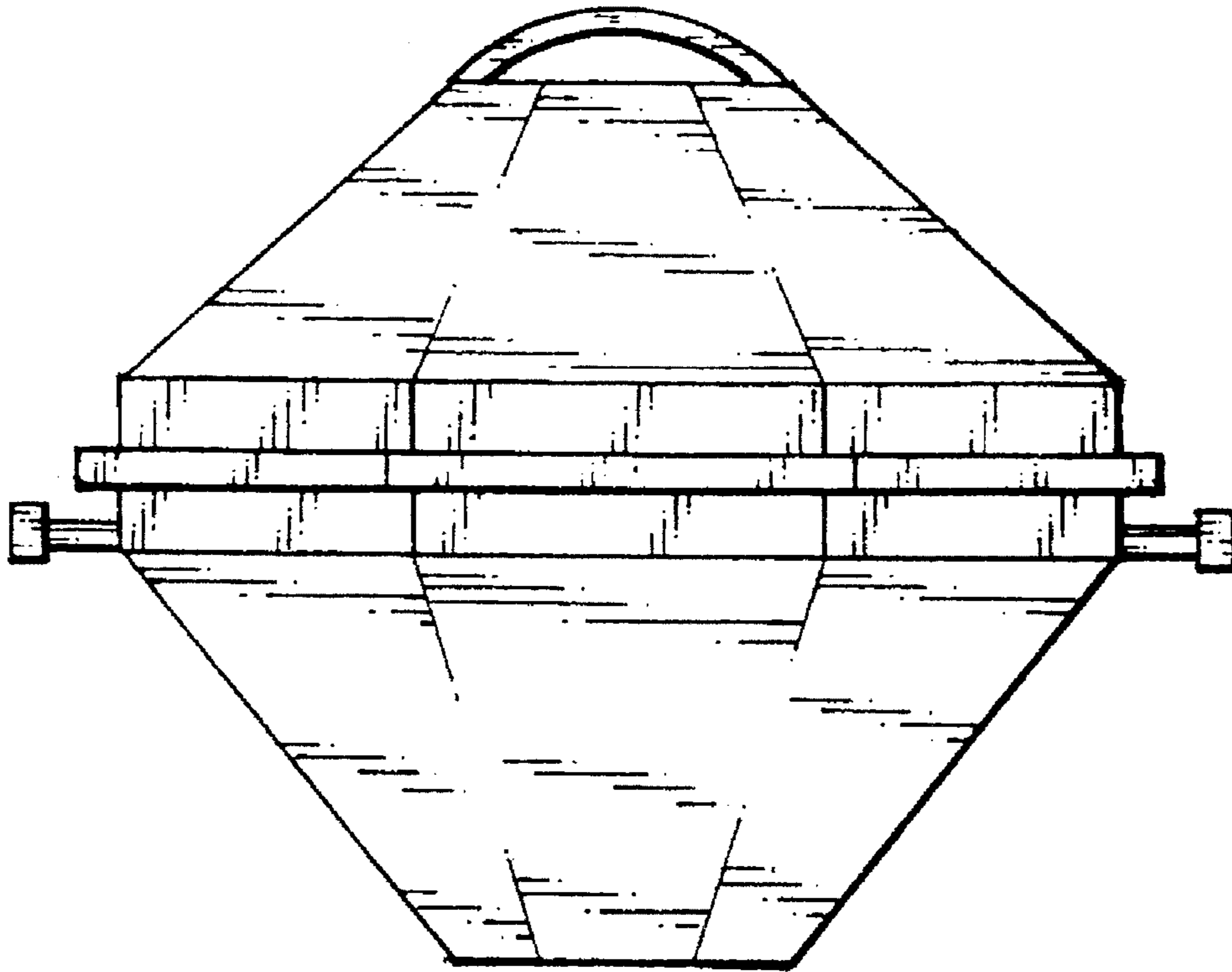


FIG. 2

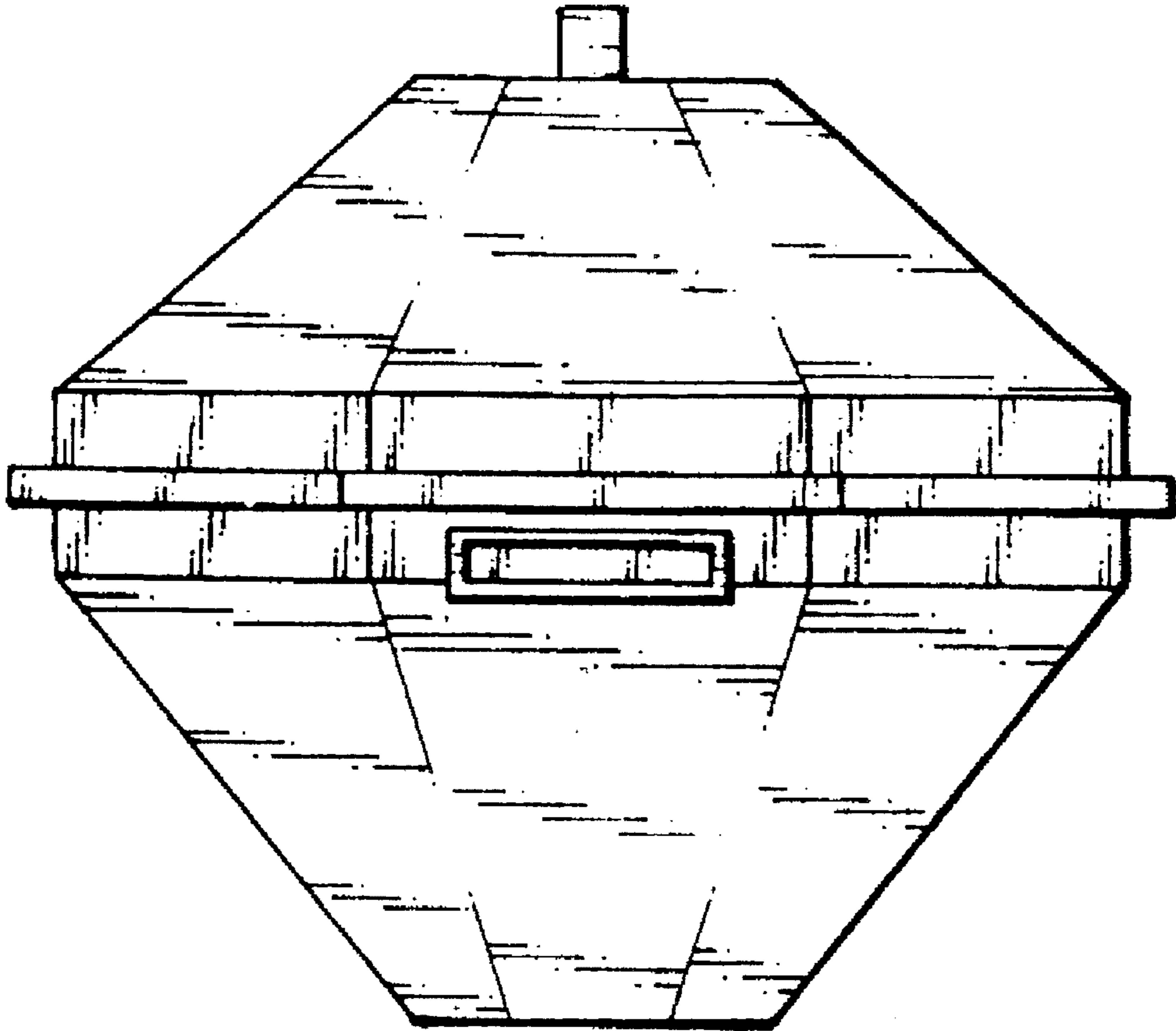


FIG. 3

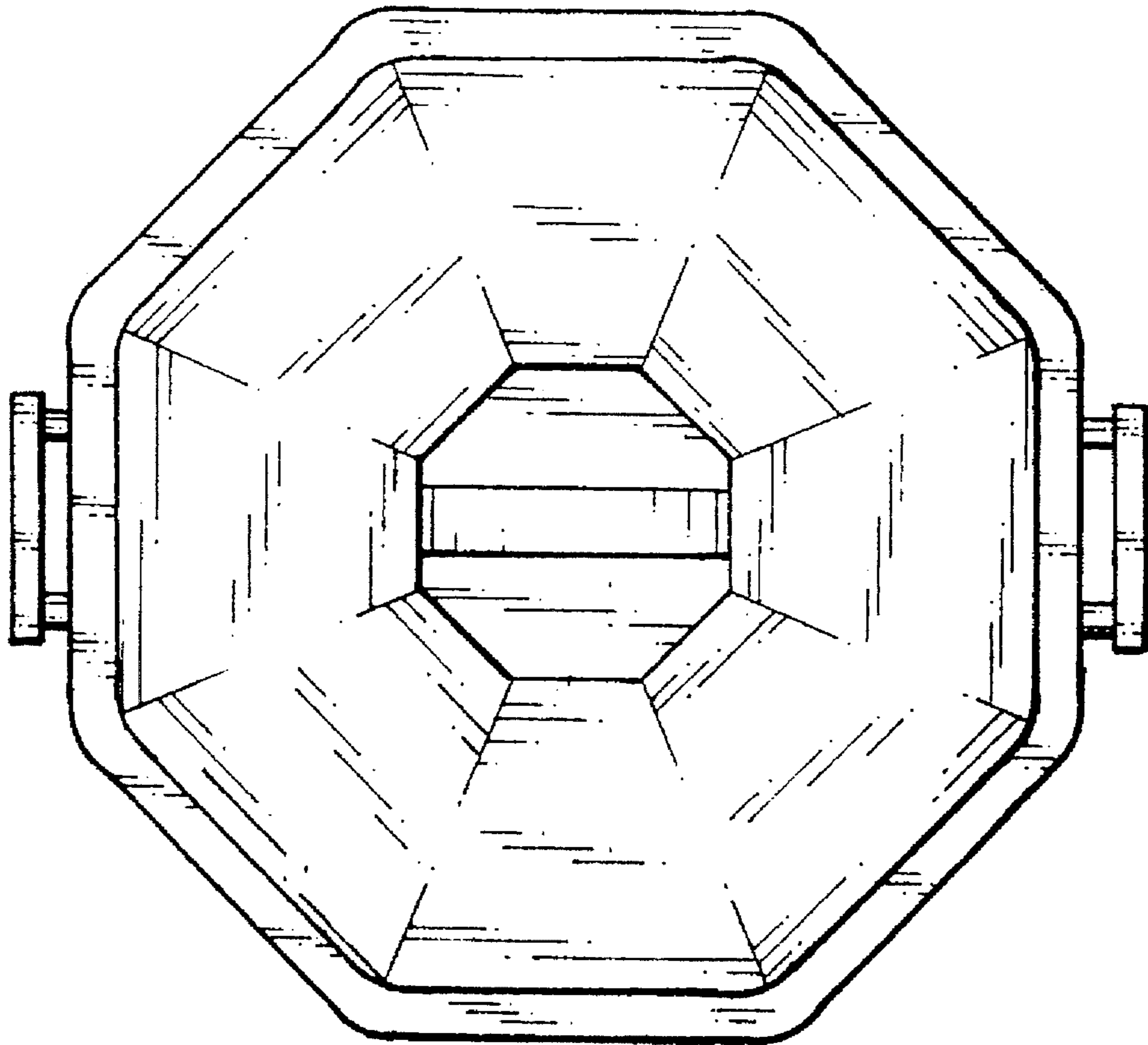


FIG. 4

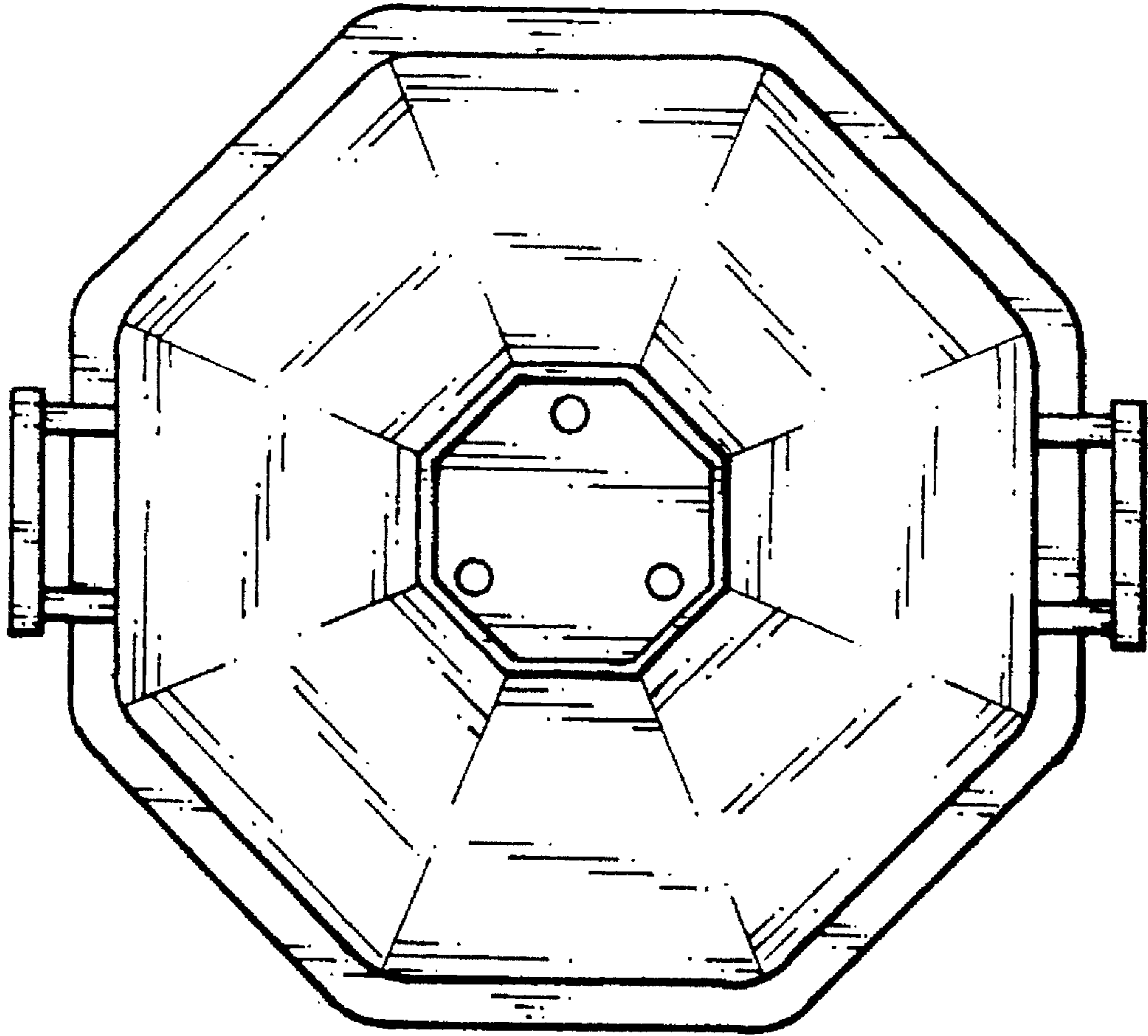


FIG. 5