



US00D367796S

United States Patent [19]

[11] Patent Number: Des. 367,796

Ozeki

[45] Date of Patent: **Mar. 12, 1996

[54] **RECORDING MEDIUM STORING CASE**

[75] Inventor: **Jiro Ozeki**, Tokyo, Japan

[73] Assignee: **Slidex Corporation**, Tokyo, Japan

[**] Term: **14 Years**

[21] Appl. No.: **22,834**

[22] Filed: **May 12, 1994**

[30] **Foreign Application Priority Data**

Dec. 2, 1993 [JP] Japan 5-36771

Dec. 2, 1993 [JP] Japan 5-36772

[52] U.S. Cl. **D6/629; D6/631; D6/634**

[58] Field of Search D6/626, 627, 628,
D6/629, 630, 631, 632, 633, 634, 635;
D19/26; 206/387, 311, 405, 444; 40/159.2

[56] **References Cited**

U.S. PATENT DOCUMENTS

D. 323,930	2/1992	Ozeki	D6/626
D. 324,767	3/1992	Ozeki	D6/626
D. 342,655	12/1993	Ozeki	D6/630
D. 347,321	5/1994	Ozeki	D6/630
3,956,836	5/1976	Seaborn	40/530
4,193,218	3/1980	Mermelstein	206/456
4,521,035	6/1985	Berezowsky	40/530
5,037,137	8/1991	Ozeki	281/48
5,226,537	7/1993	Ozeki	206/456

Primary Examiner—Celia Murphy

Attorney, Agent, or Firm—Keck, Mahin & Cate

[57] **CLAIM**

The ornamental design for a recording medium storing case, as shown and described.

DESCRIPTION

FIG. 1 is a perspective view of a recording medium storing case showing my new design;

FIG. 2 is a front elevational view thereof;

FIG. 3 is a rear elevational view thereof;

FIG. 4 is a top plan view thereof, the bottom being a mirror image;

FIG. 5 is a right side elevational view thereof;

FIG. 6 is an inside elevational view thereof, the left cover shown in an open position;

FIG. 7 is a top plan view of FIG. 6;

FIG. 8 is an inside elevational view of FIG. 1, the right cover shown in an open position;

FIG. 9 is a top plan view of FIG. 8;

FIG. 10 is an enlarged fragmentary view taken substantially on line 10—10 of FIG. 9;

FIG. 11 is a perspective view of FIG. 1, shown in an alternative open position;

FIG. 12 is a perspective view of alternate embodiment of the design shown in FIG. 1;

FIG. 13 is a front elevational view of FIG. 12;

FIG. 14 is a rear elevational view of FIG. 12;

FIG. 15 is a top plan view of FIG. 12;

FIG. 16 is a right side elevational view of FIG. 12;

FIG. 17 is an inside elevational view of FIG. 12, the left cover shown in an open position;

FIG. 18 is a top plan view of FIG. 17;

FIG. 19 is an inside elevational view of FIG. 12, the right cover shown in an open position;

FIG. 20 is a top plan view of FIG. 19;

FIG. 21 is an enlarged fragmentary view taken substantially along line 21—21 of FIG. 18;

FIG. 22 is an inner perspective view of FIG. 12 shown in an alternative open position;

FIG. 23 is an inside perspective view of FIG. 1; and,

FIG. 24 is an inside perspective view of FIG. 12.

1 Claim, 11 Drawing Sheets

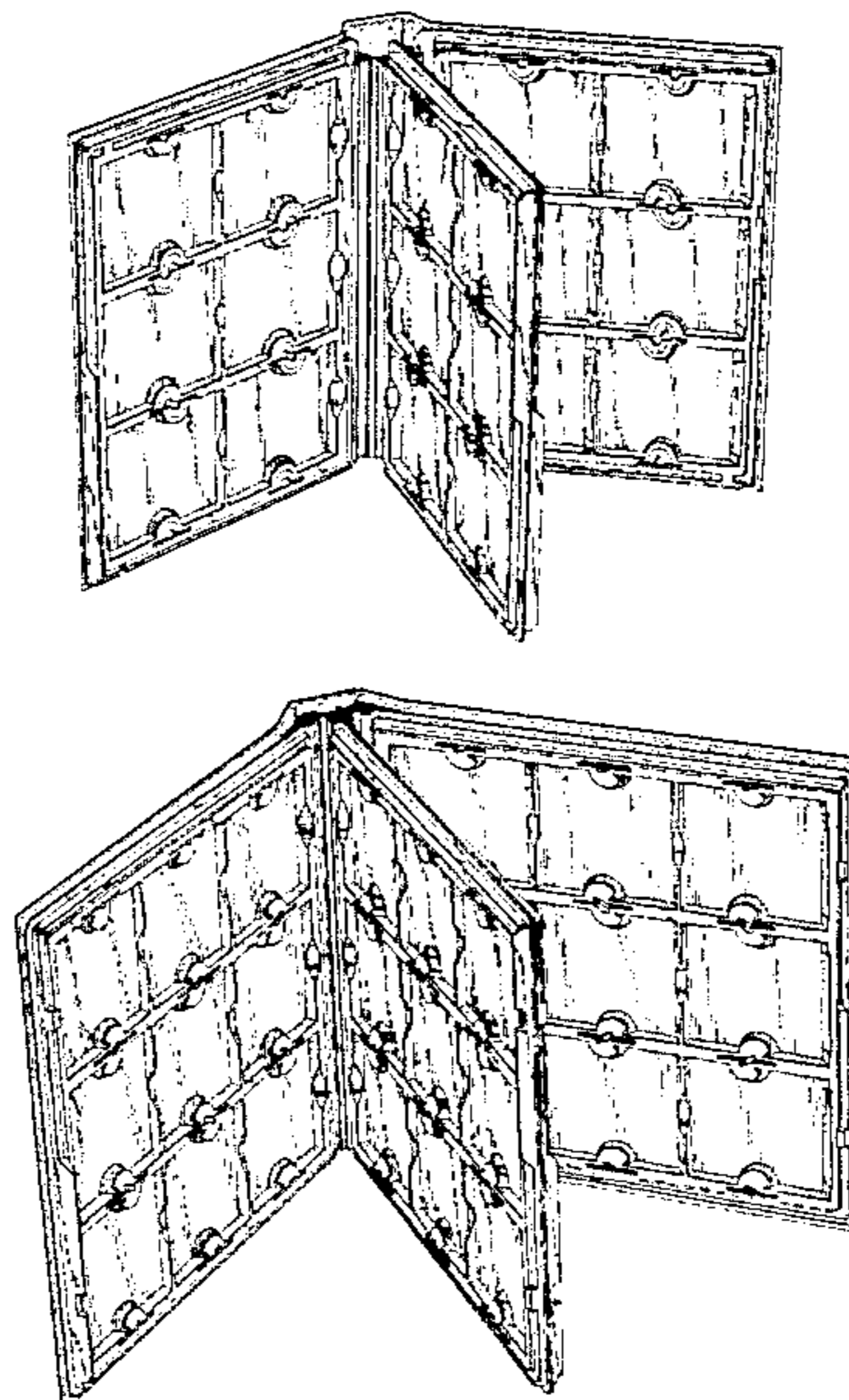


FIG. 1

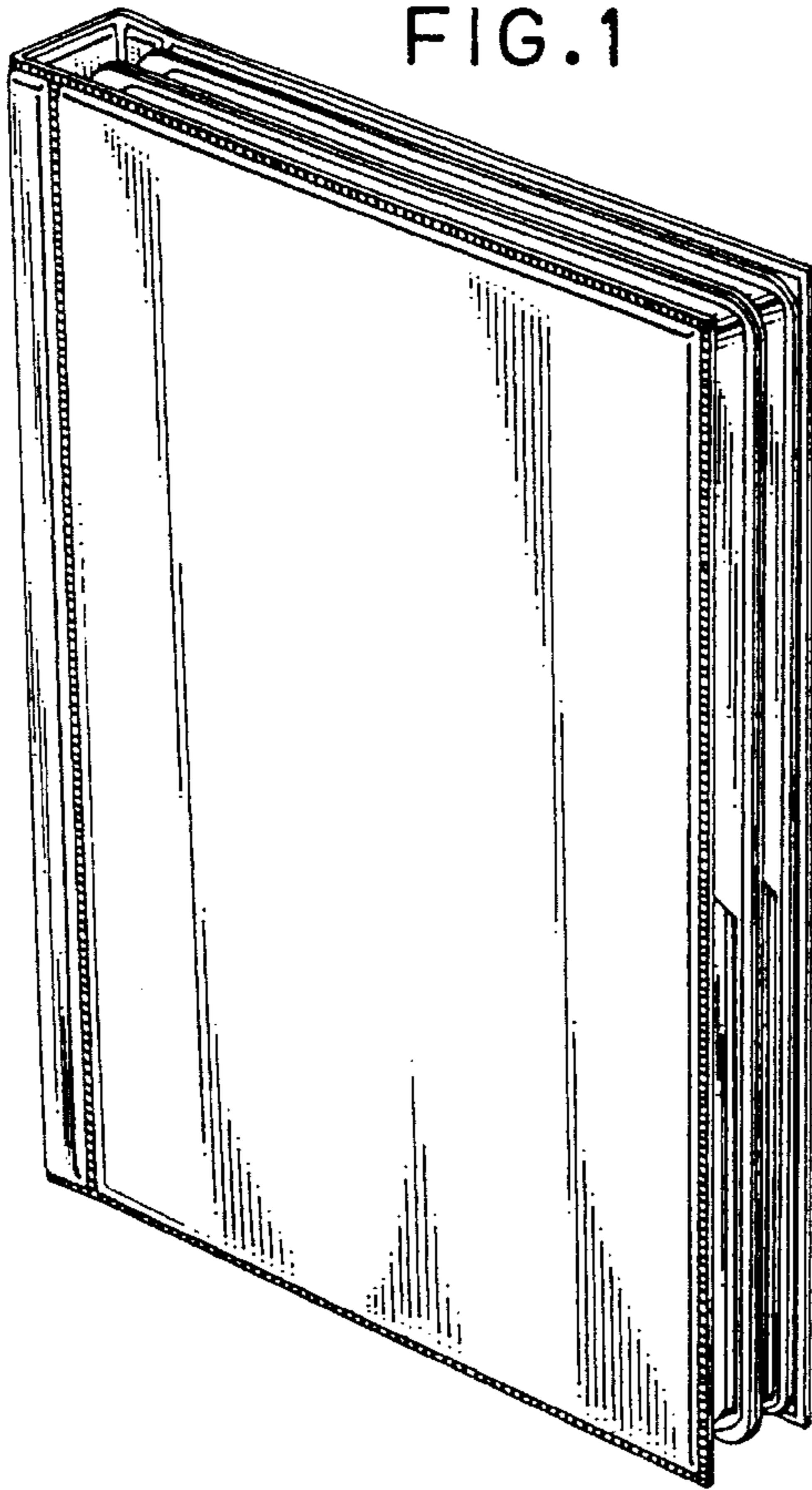


FIG. 2

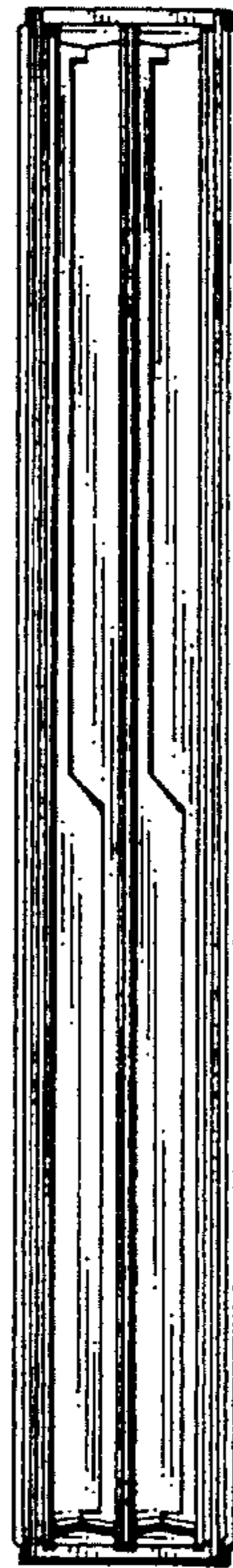


FIG. 3



FIG. 5

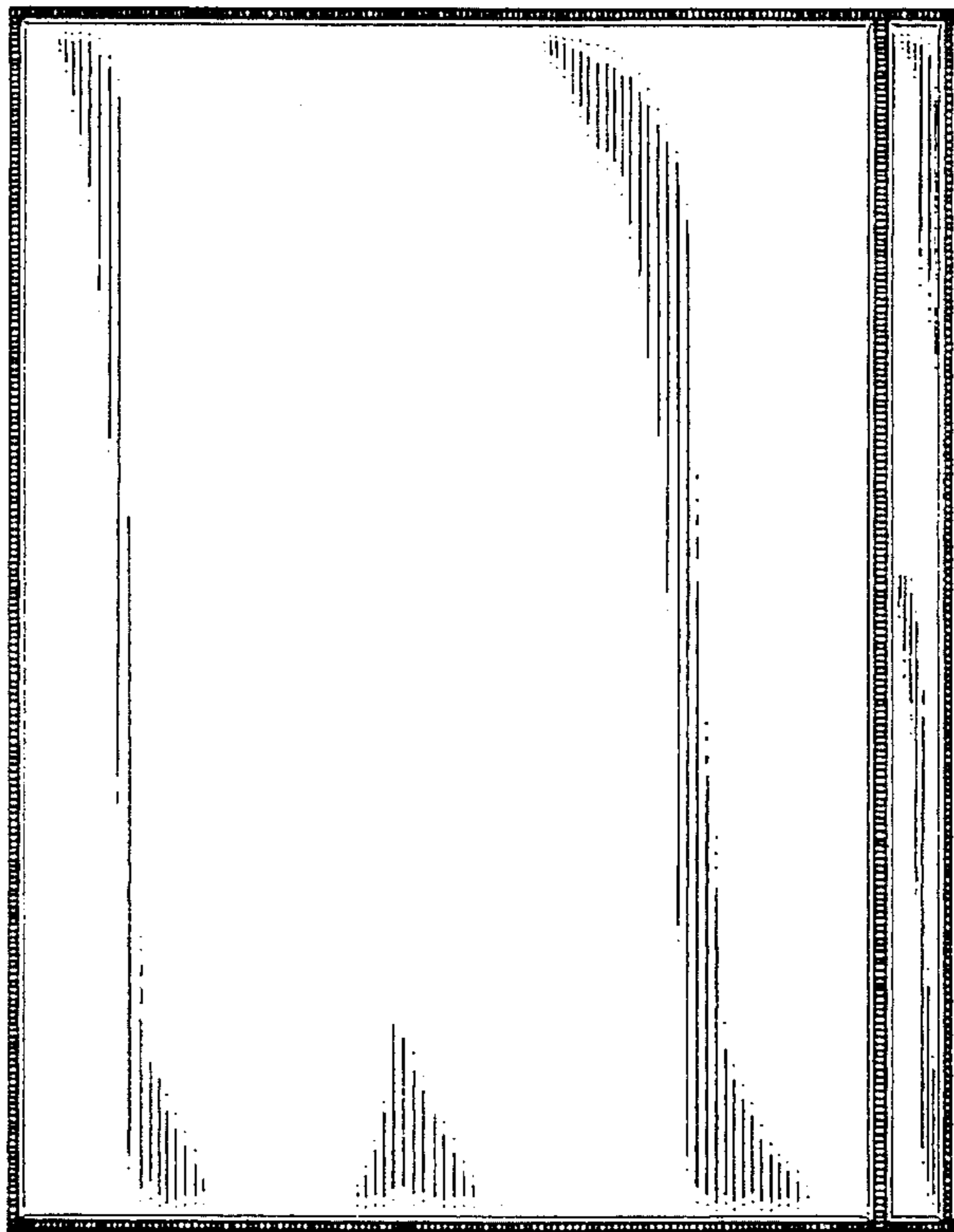


FIG. 4

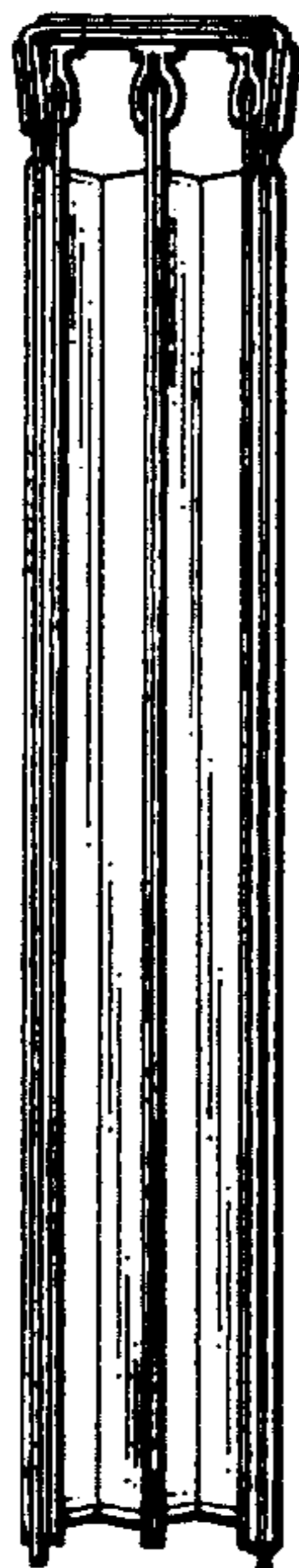


FIG. 6

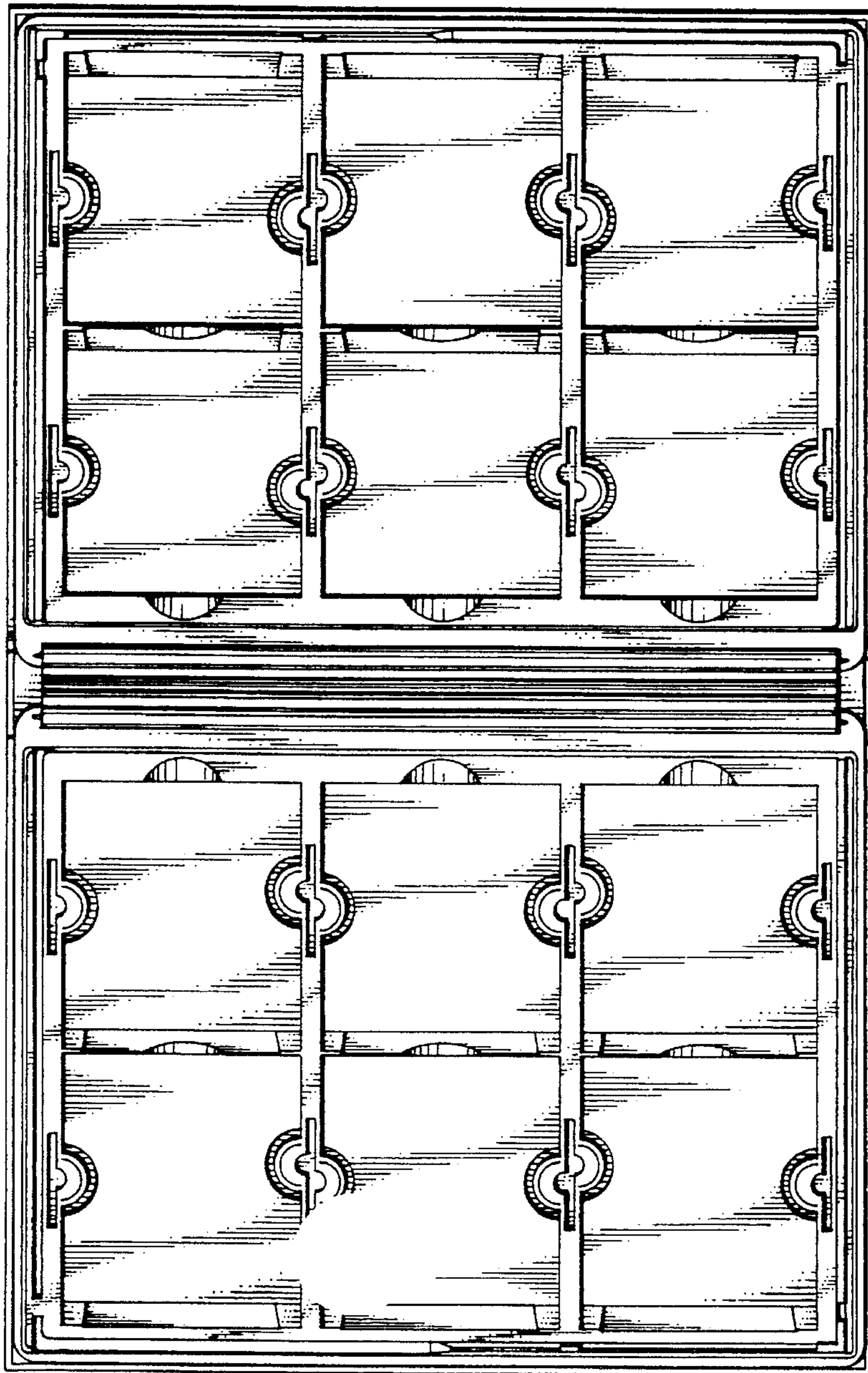


FIG. 7

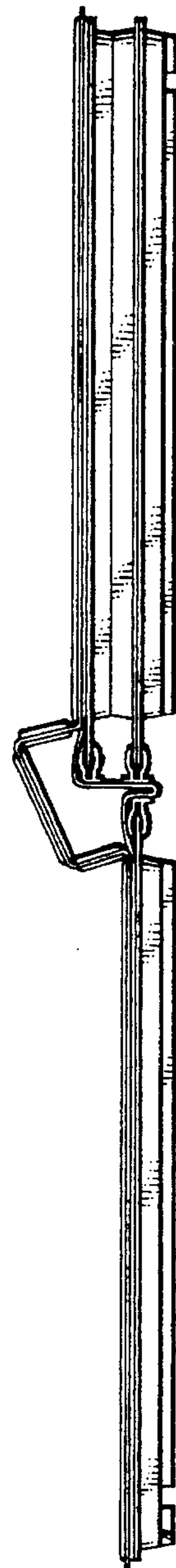


FIG. 8

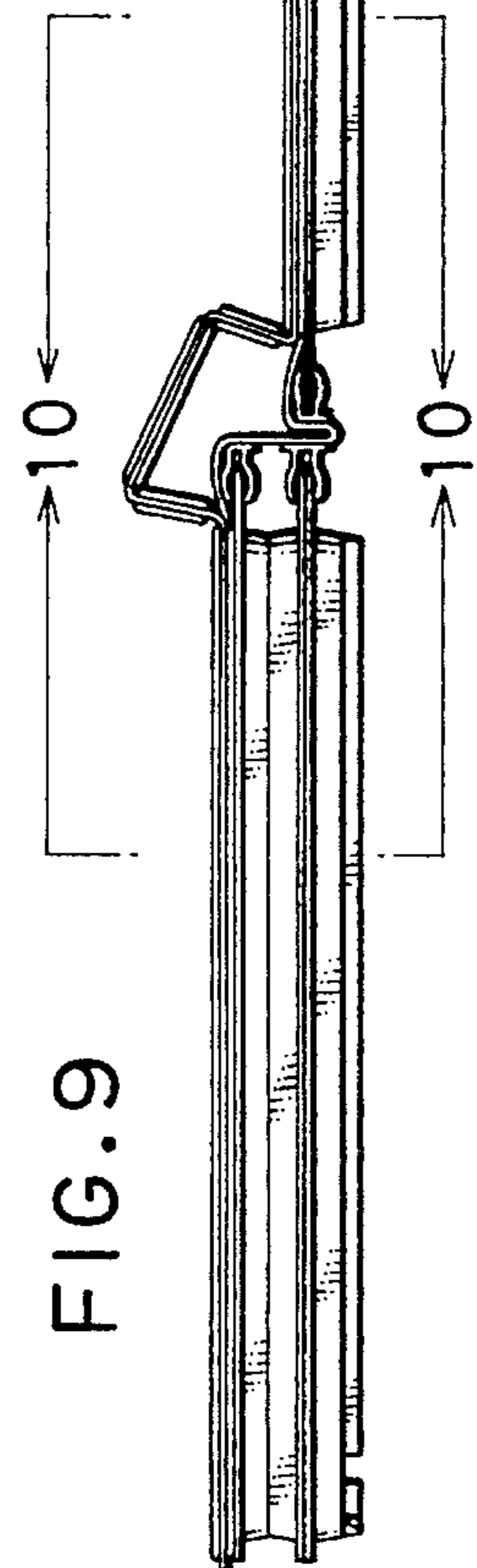
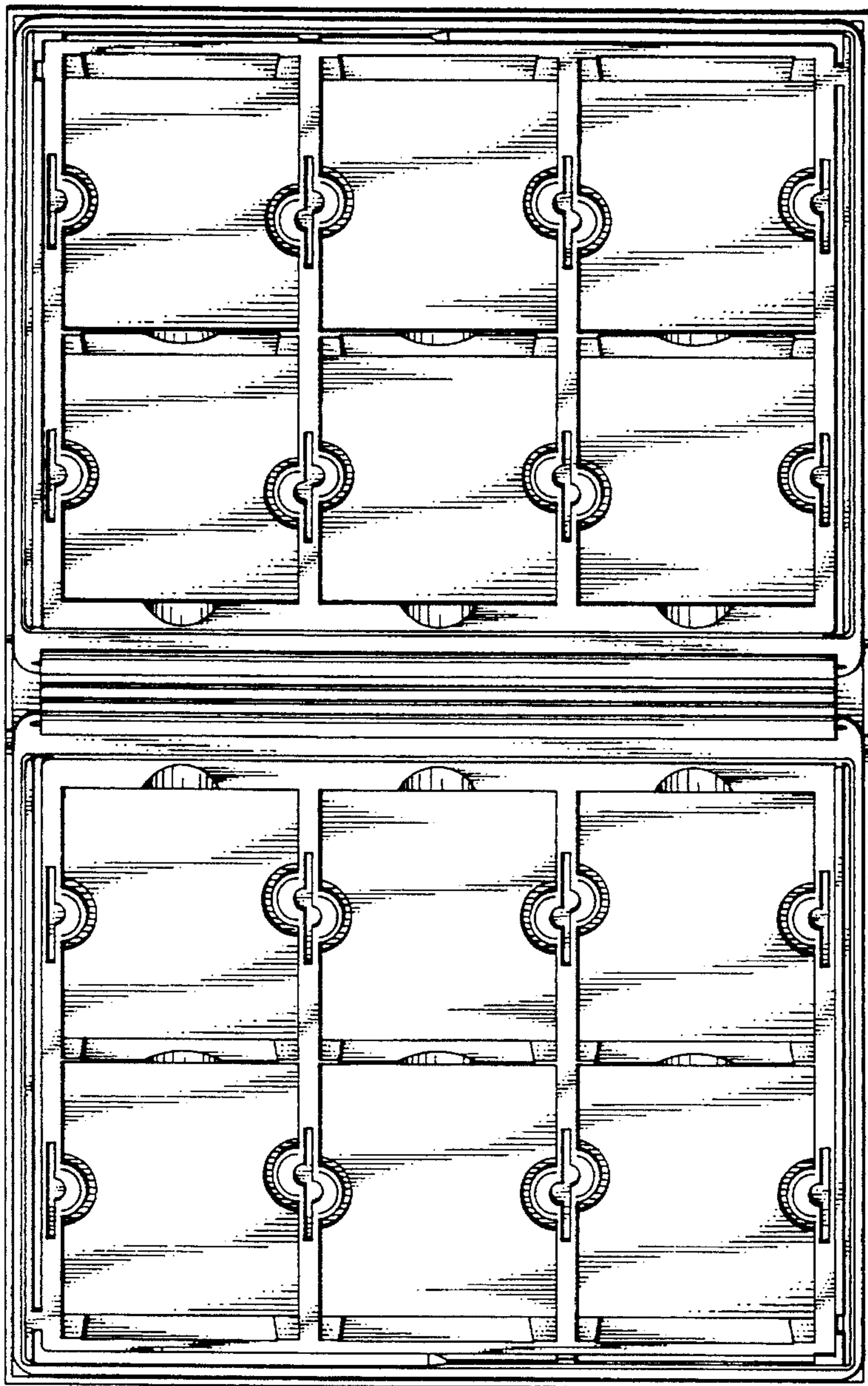


FIG. 9

FIG. 10

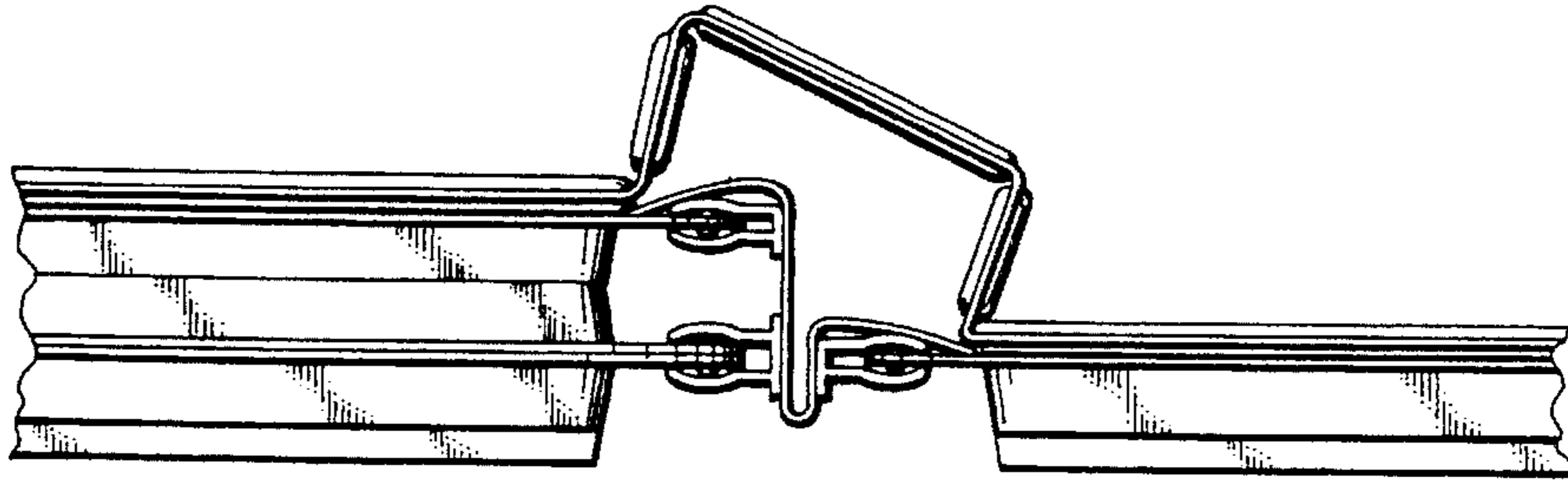


FIG. 11

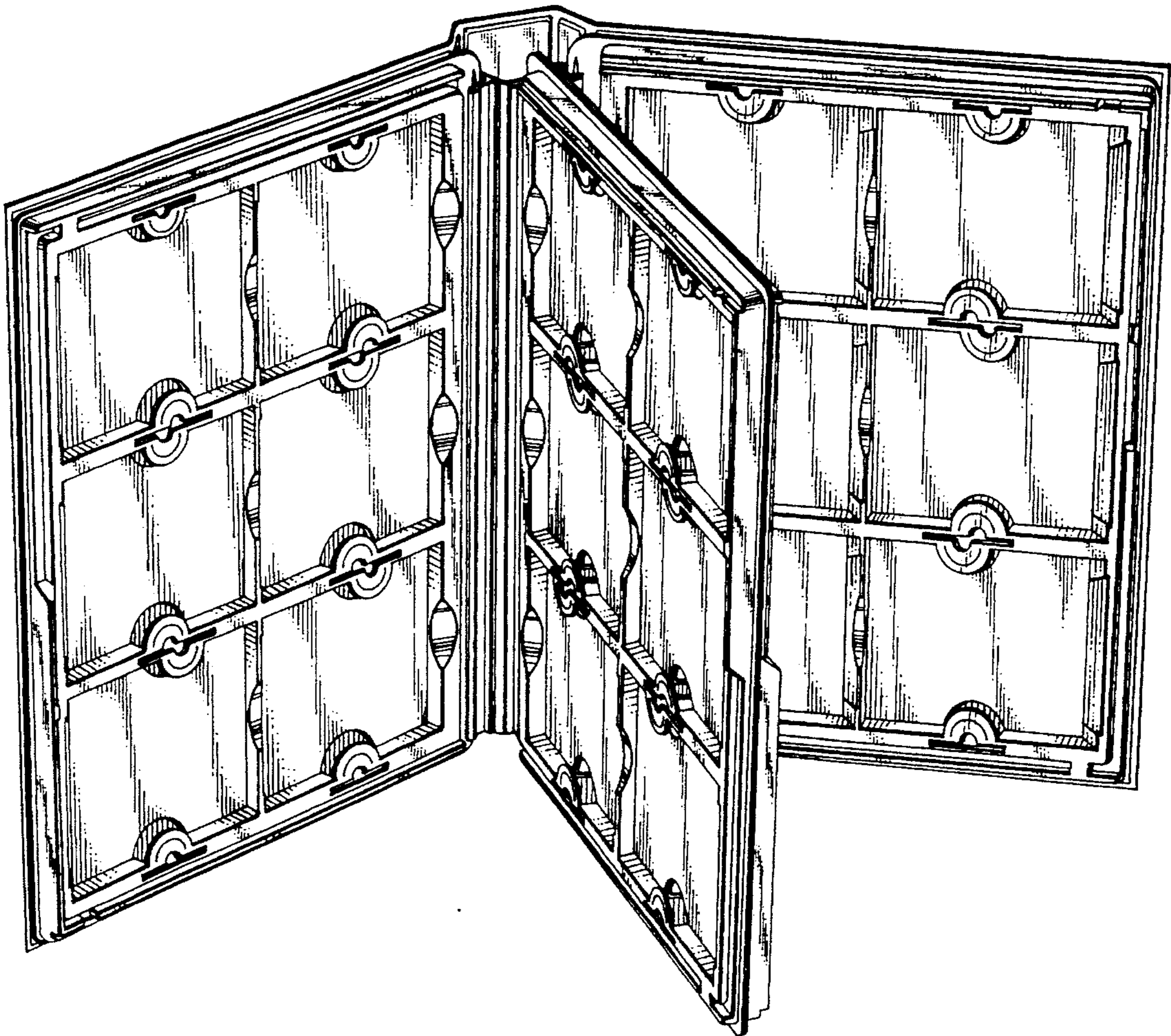


FIG.12

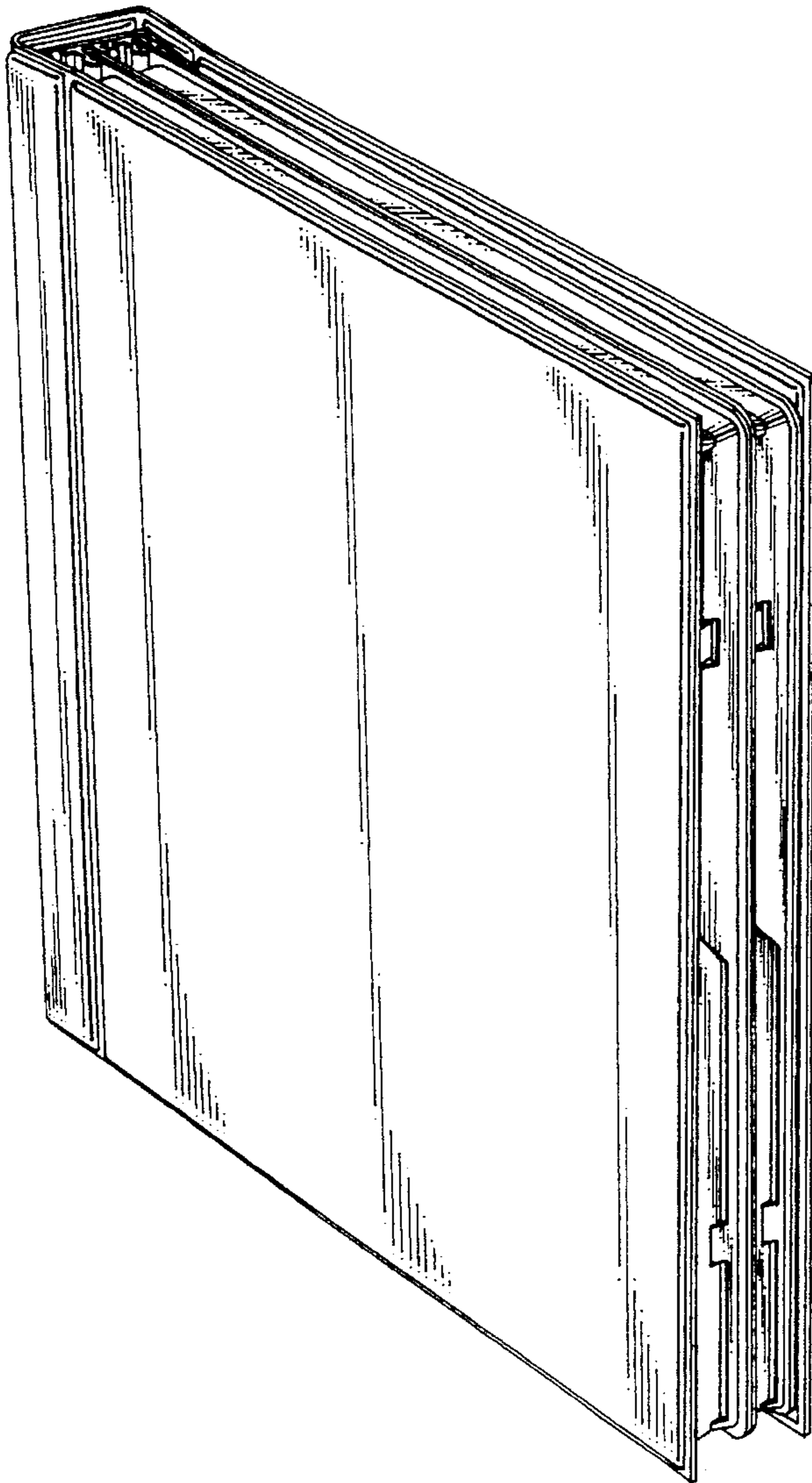


FIG.13

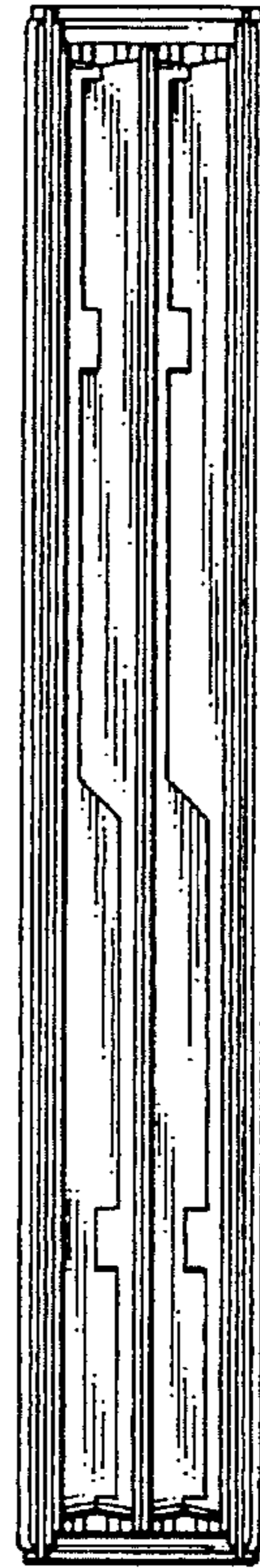


FIG.14

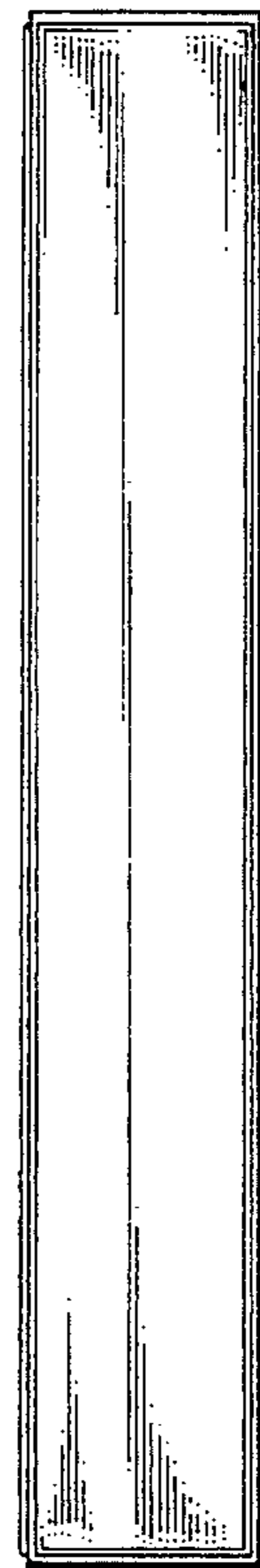


FIG.15

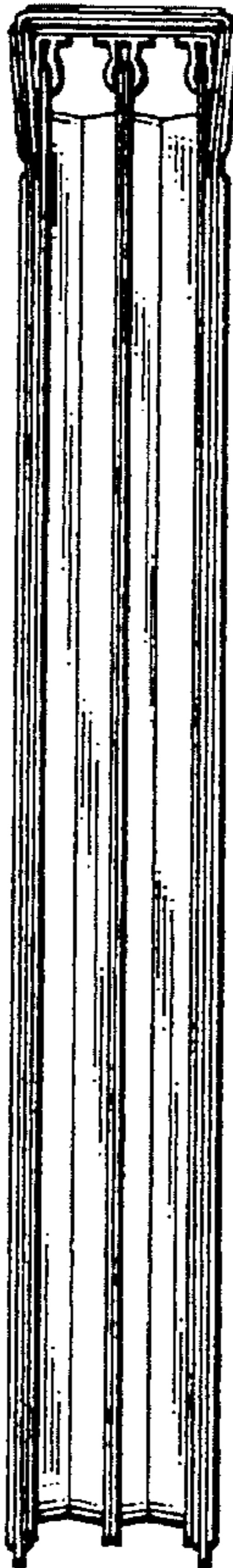


FIG.16

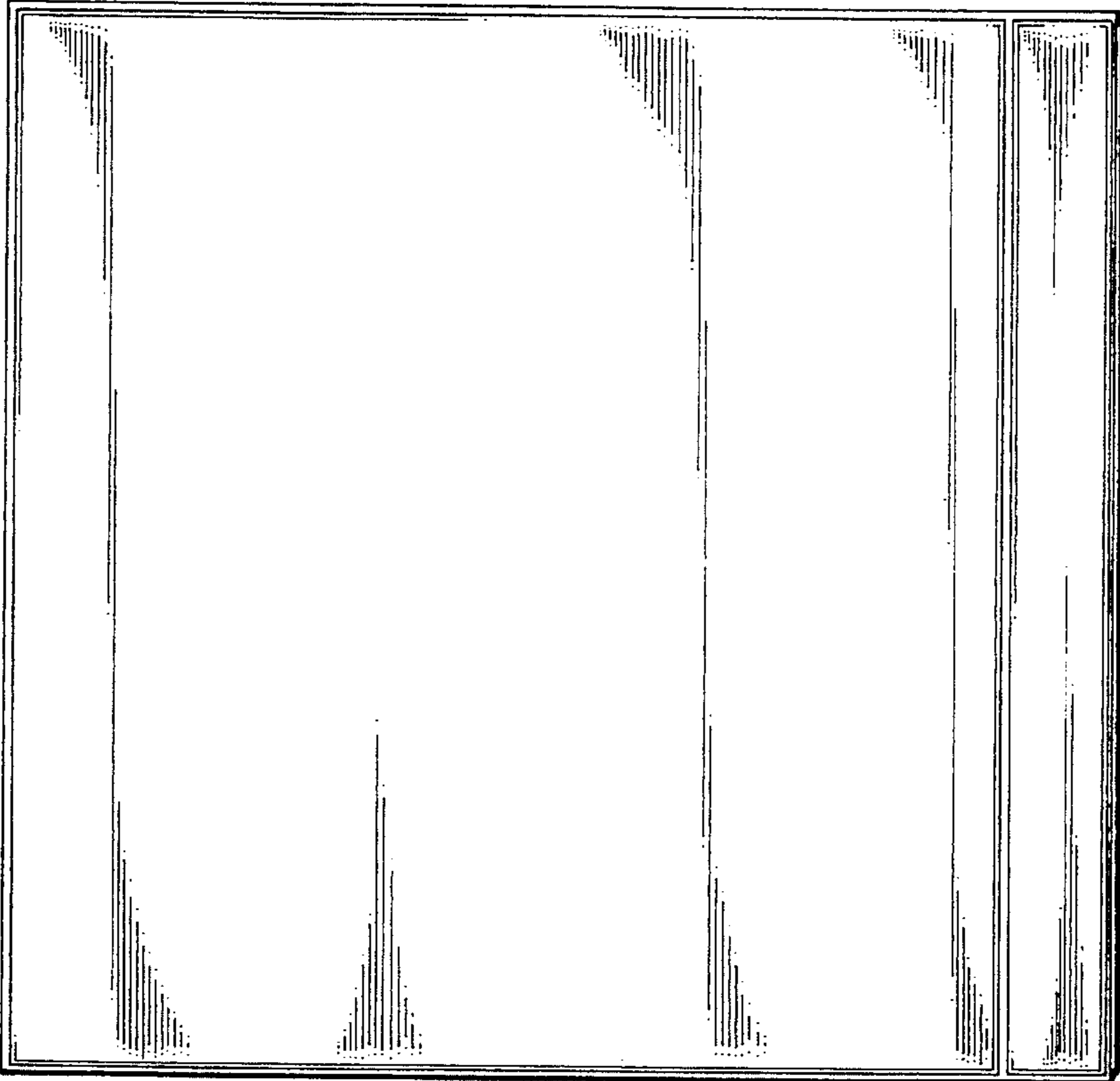


FIG.17

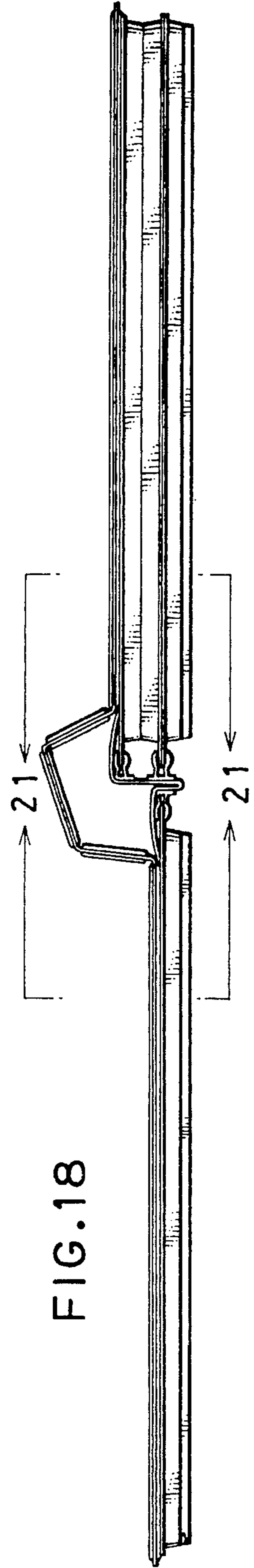
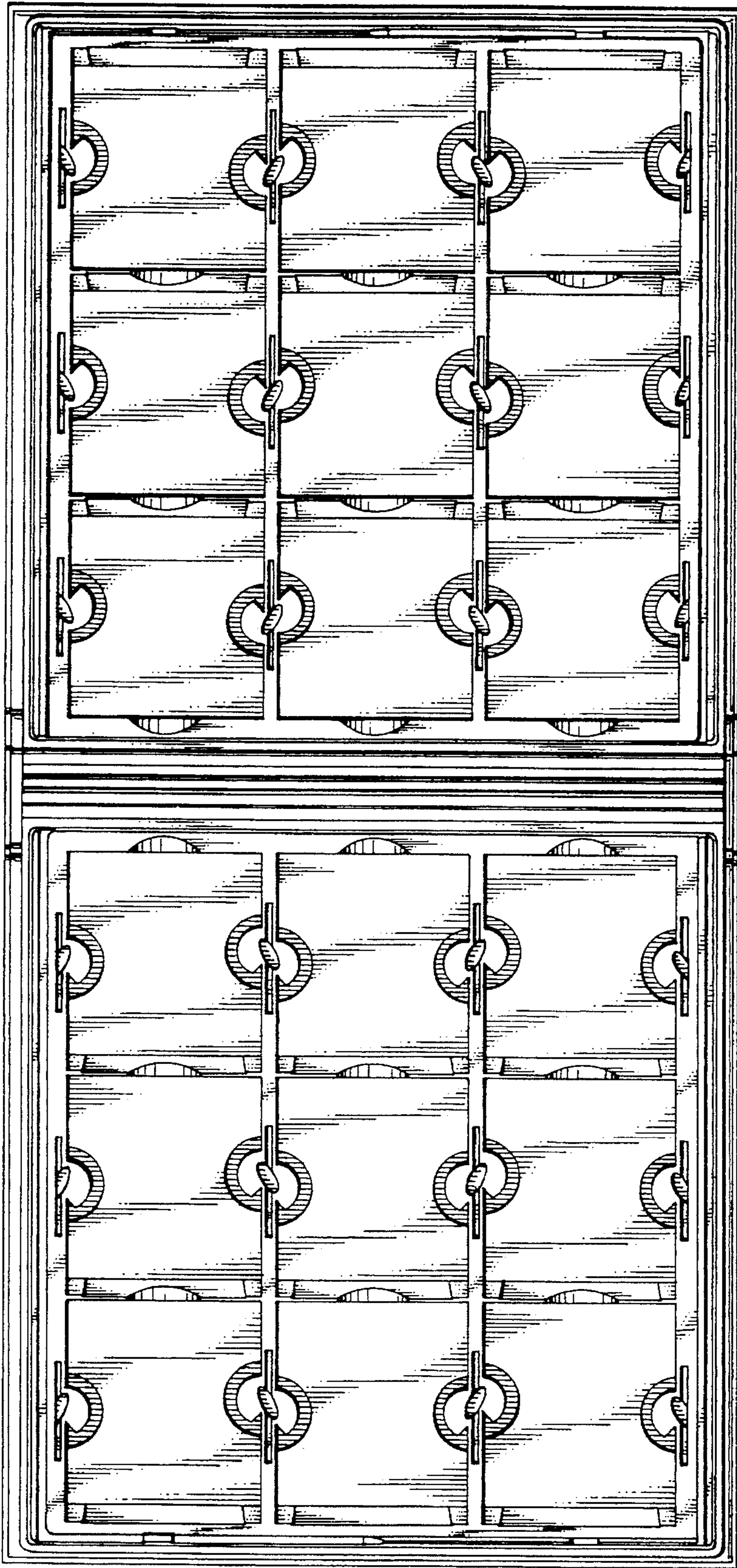


FIG.18

FIG. 19

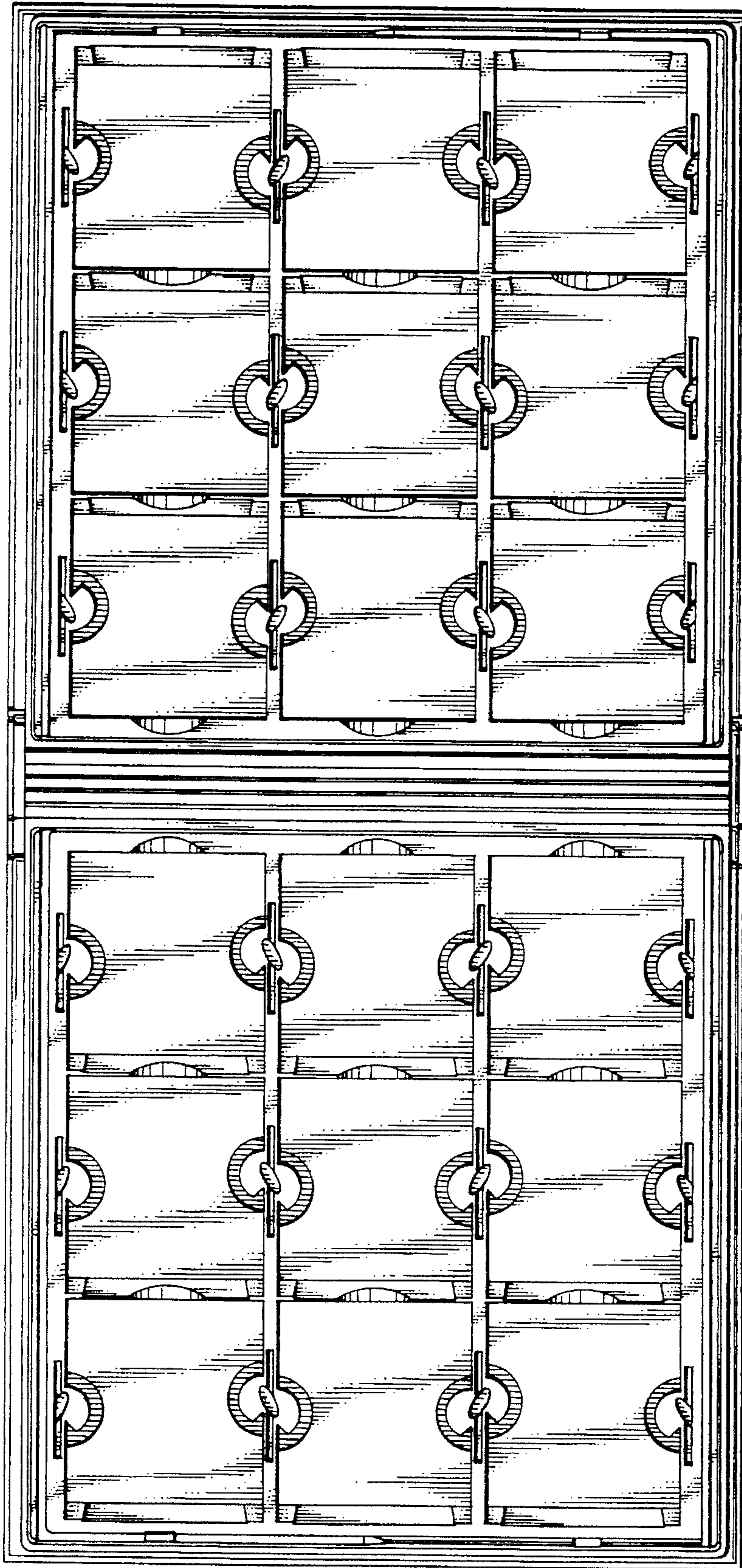


FIG. 20

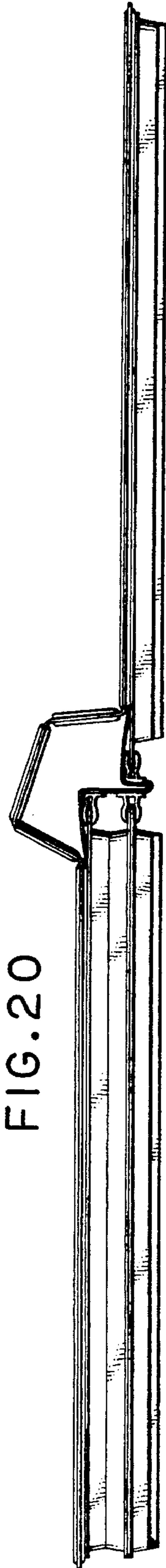
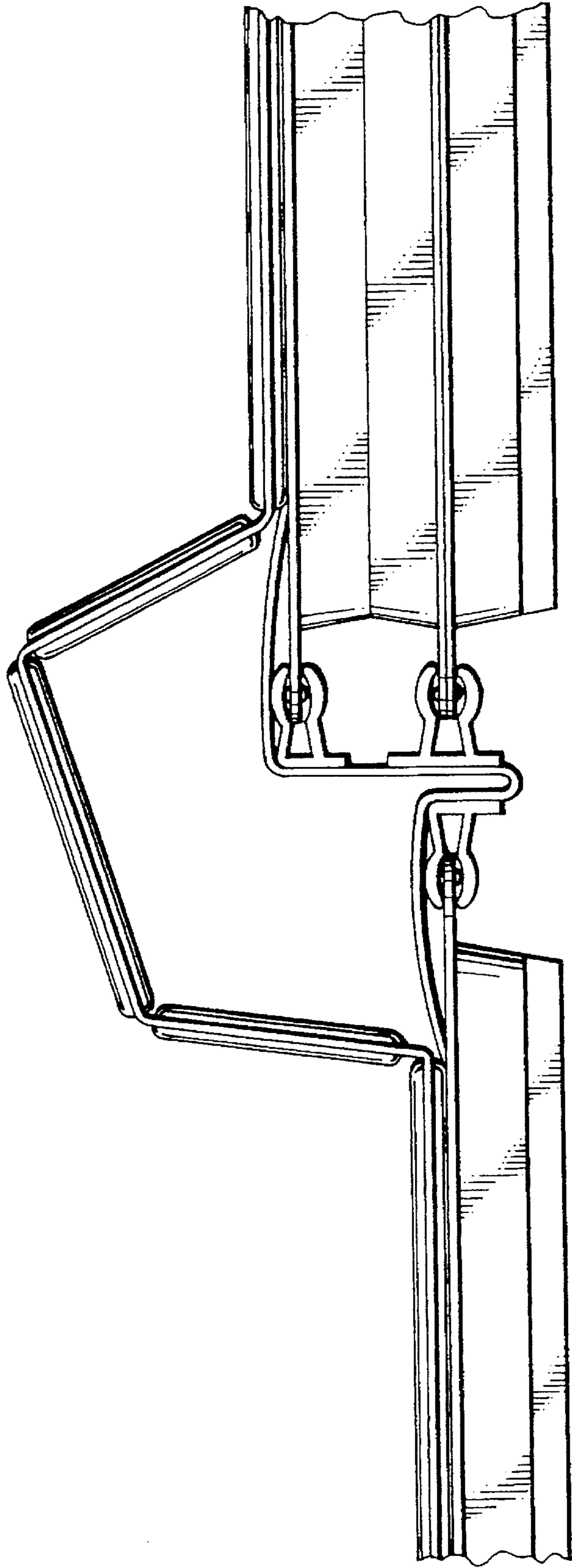


FIG. 21



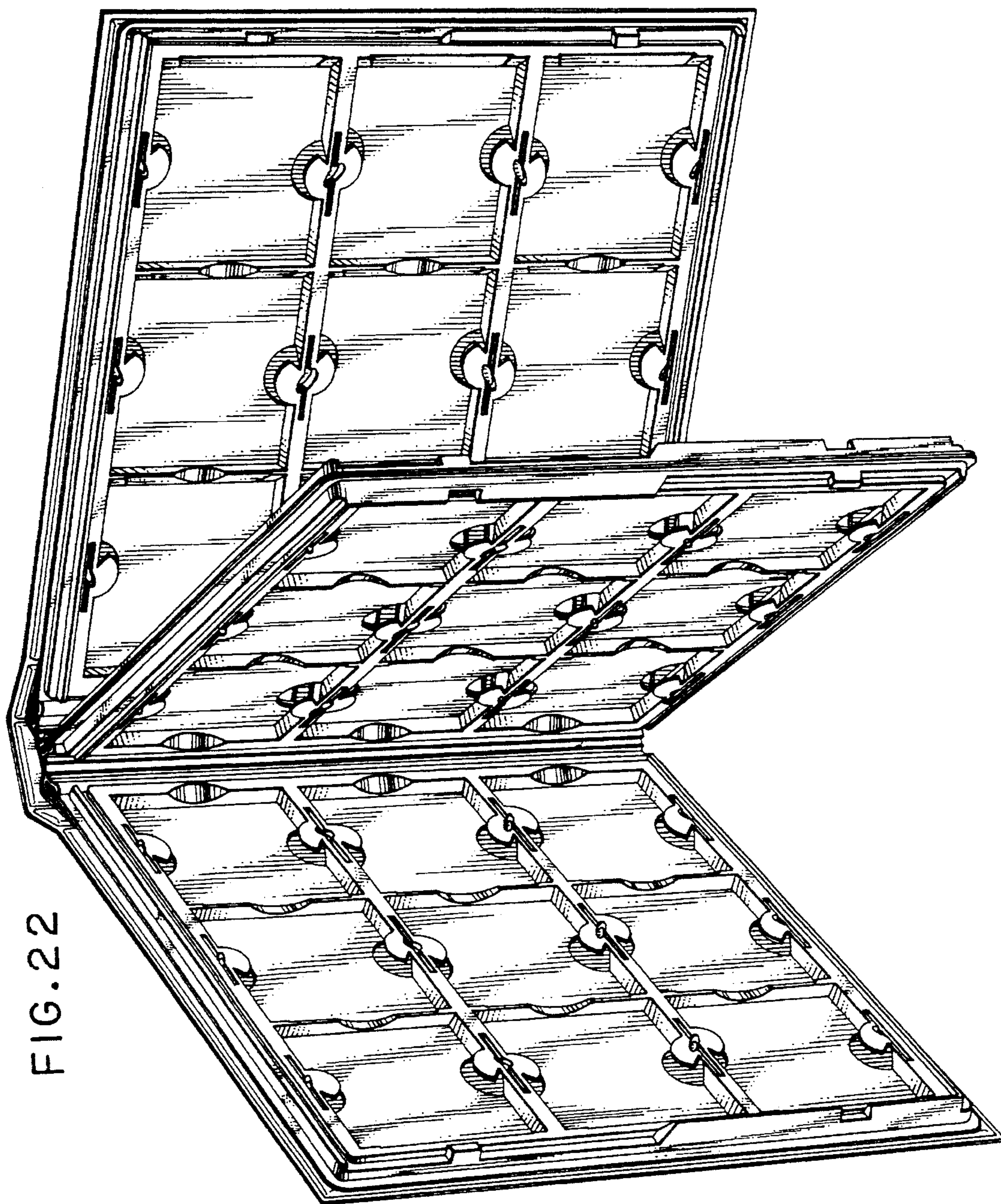


FIG. 22

FIG. 23

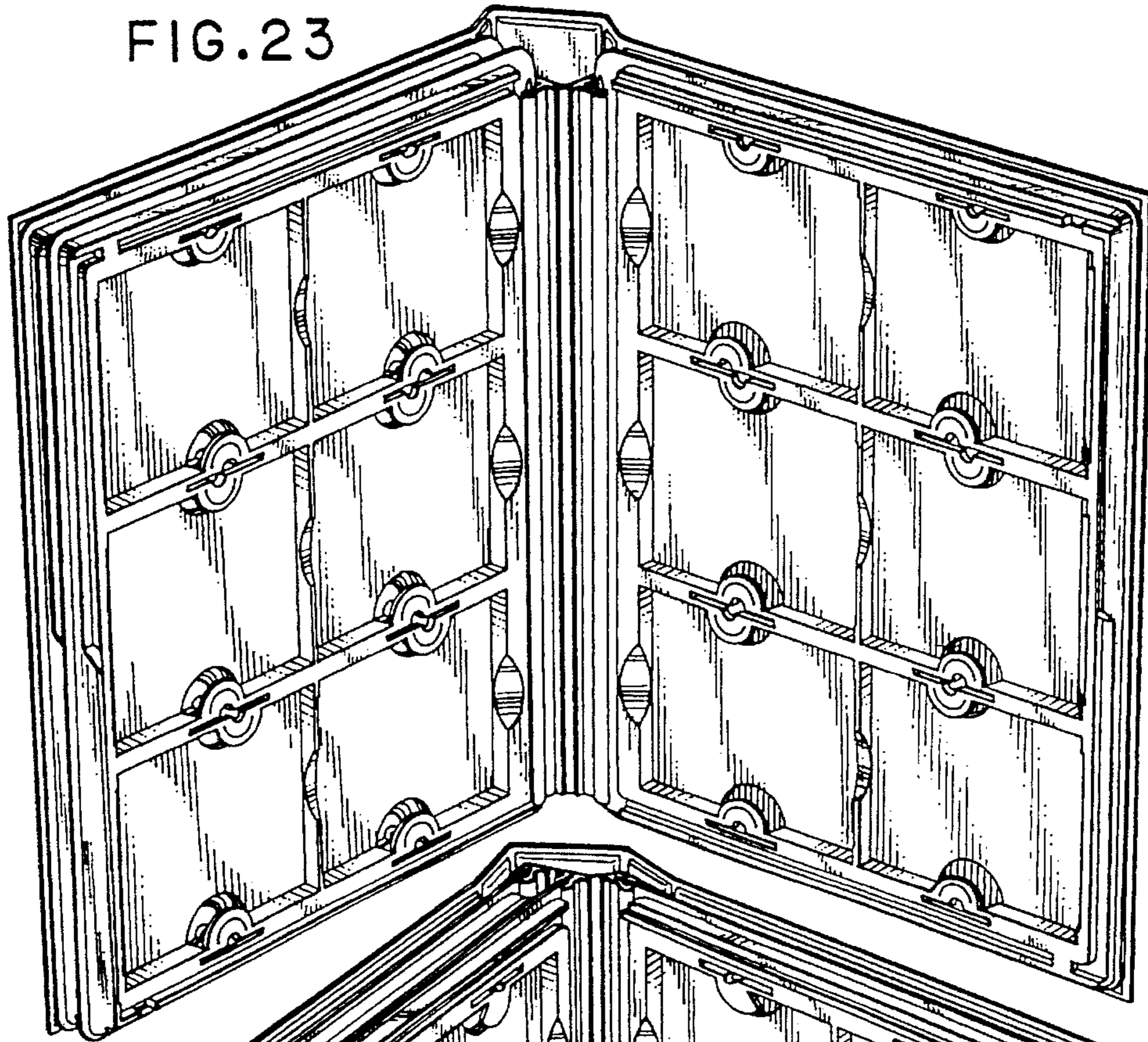


FIG. 24

