



US00D367793S

# United States Patent [19]

Macek

[11] Patent Number: **Des. 367,793**

[45] Date of Patent: **\*\*Mar. 12, 1996**

[54] **OVER DOOR TOWEL RACK**

[75] Inventor: **Thomas J. Macek**, Chicago, Ill.

[73] Assignee: **Selfix, Inc.**, Chicago, Ill.

[\*\*] Term: **14 Years**

[21] Appl. No.: **36,975**

[22] Filed: **Mar. 31, 1995**

[52] U.S. Cl. .... **D6/548**

[58] Field of Search ..... D6/546, 548-549,  
D6/513-514, 410-411; 211/13, 16, 86-87,  
123, 181

[56] **References Cited**

**U.S. PATENT DOCUMENTS**

- D. 167,341 7/1952 Ferguson ..... D6/566
- D. 243,137 1/1977 Brown ..... D6/570
- D. 256,864 9/1980 Nippel et al. .... D6/549
- D. 294,098 2/1988 Mayo ..... D6/566
- D. 342,435 12/1993 Boyle ..... D6/569 X

- D. 354,412 1/1995 Emery ..... D6/548
- 2,119,237 5/1935 Mendel ..... 211/181 X

*Primary Examiner*—Brian N. Vinson  
*Attorney, Agent, or Firm*—Dressler, Goldsmith, Shore & Milnamow, Ltd.

[57] **CLAIM**

The ornamental design for an oven door towel rack, as shown and described.

**DESCRIPTION**

FIG. 1 is a perspective view of an over door towel rack, showing my new design;  
FIG. 2 is a front elevational view thereof;  
FIG. 3 is a right side elevational view thereof;  
FIG. 4 is a rear elevational view thereof;  
FIG. 5 is a left side elevational view thereof;  
FIG. 6 is a top plan view thereof; and,  
FIG. 7 is a bottom plan view thereof.

**1 Claim, 4 Drawing Sheets**

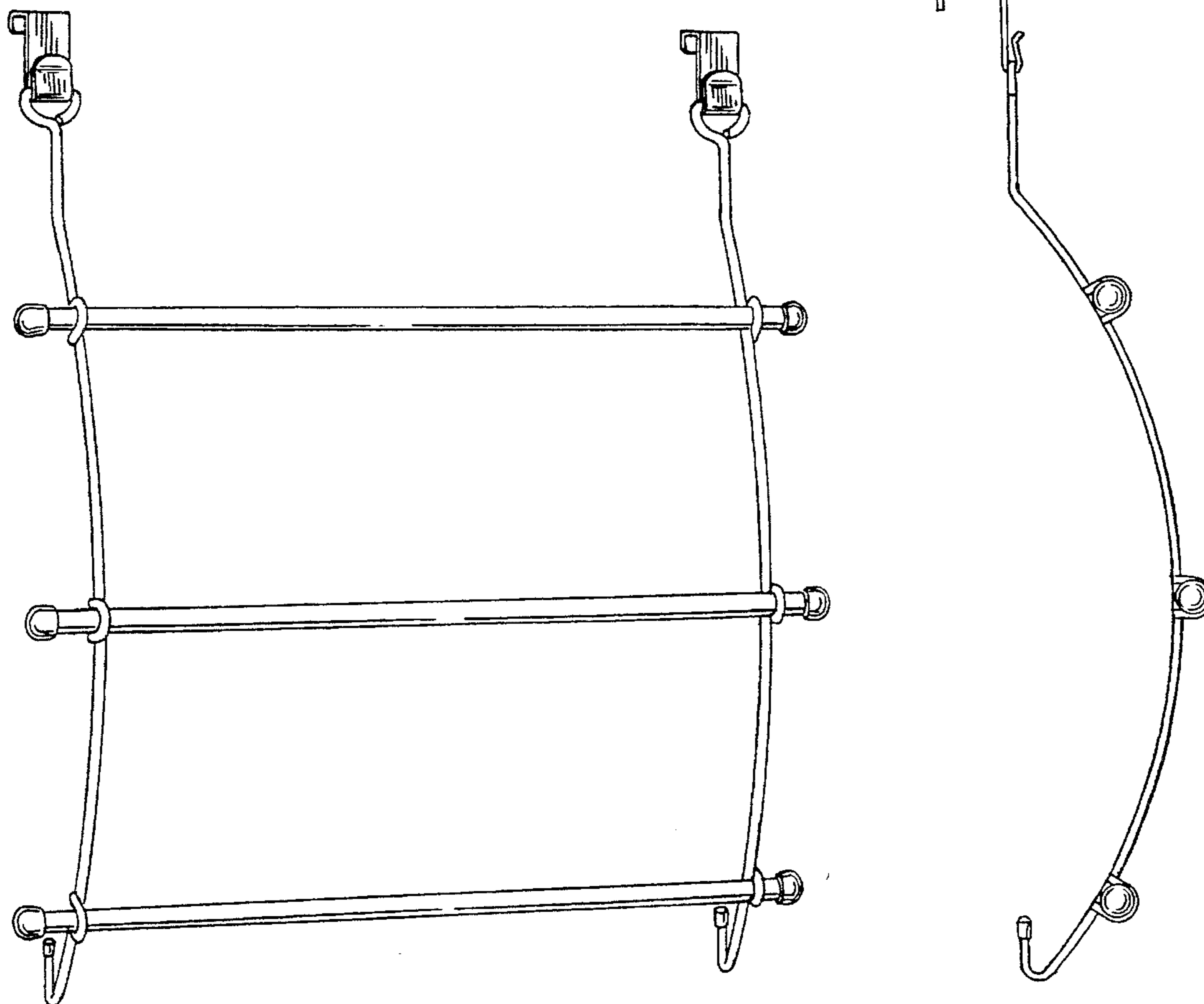


FIG. 1

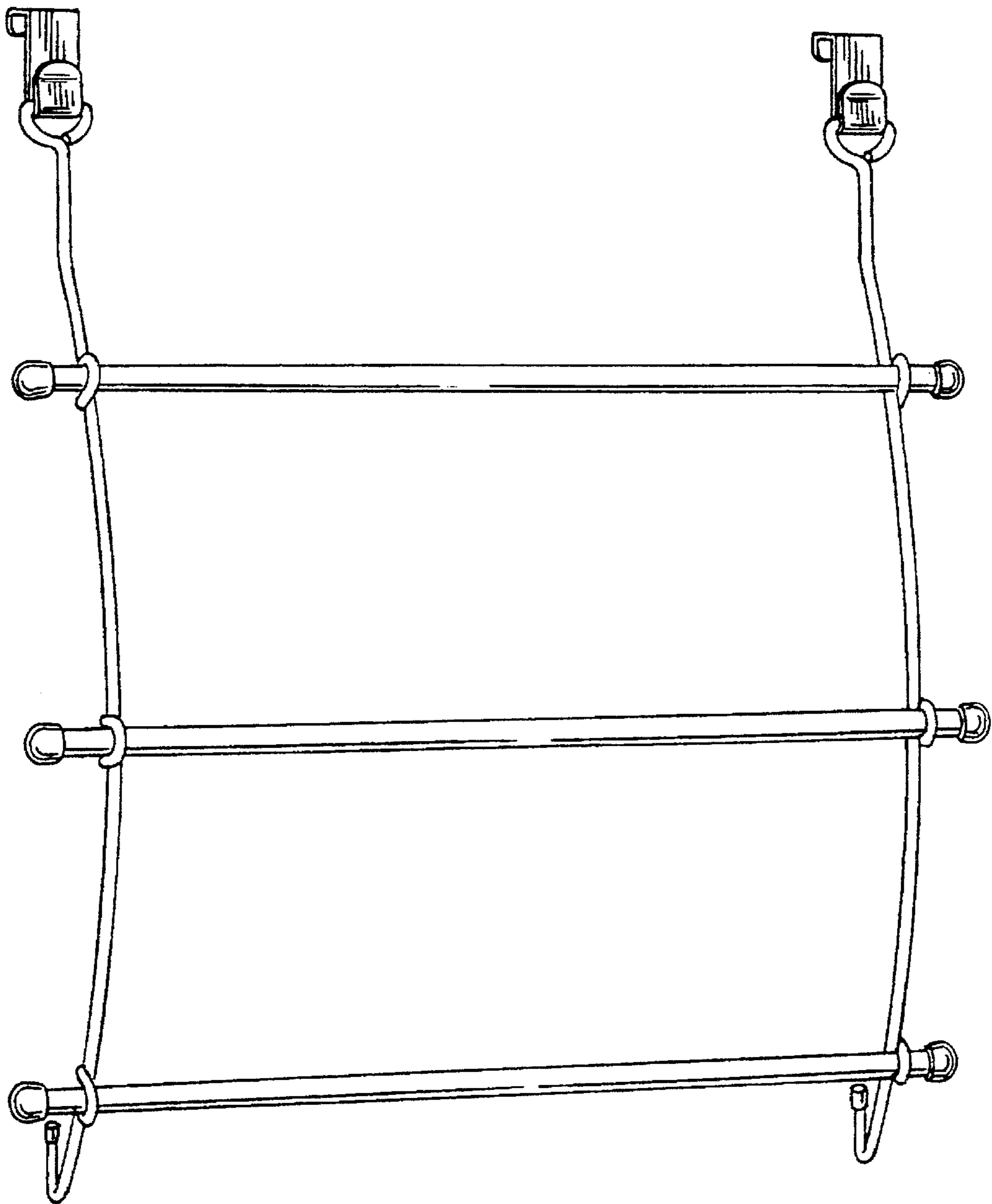


FIG.3

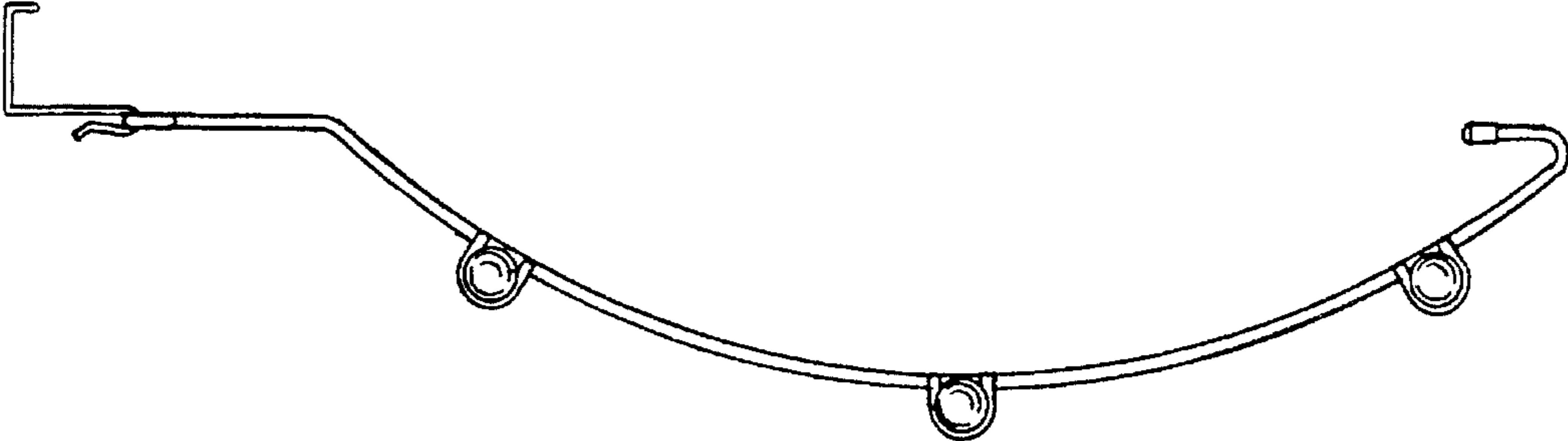


FIG.2

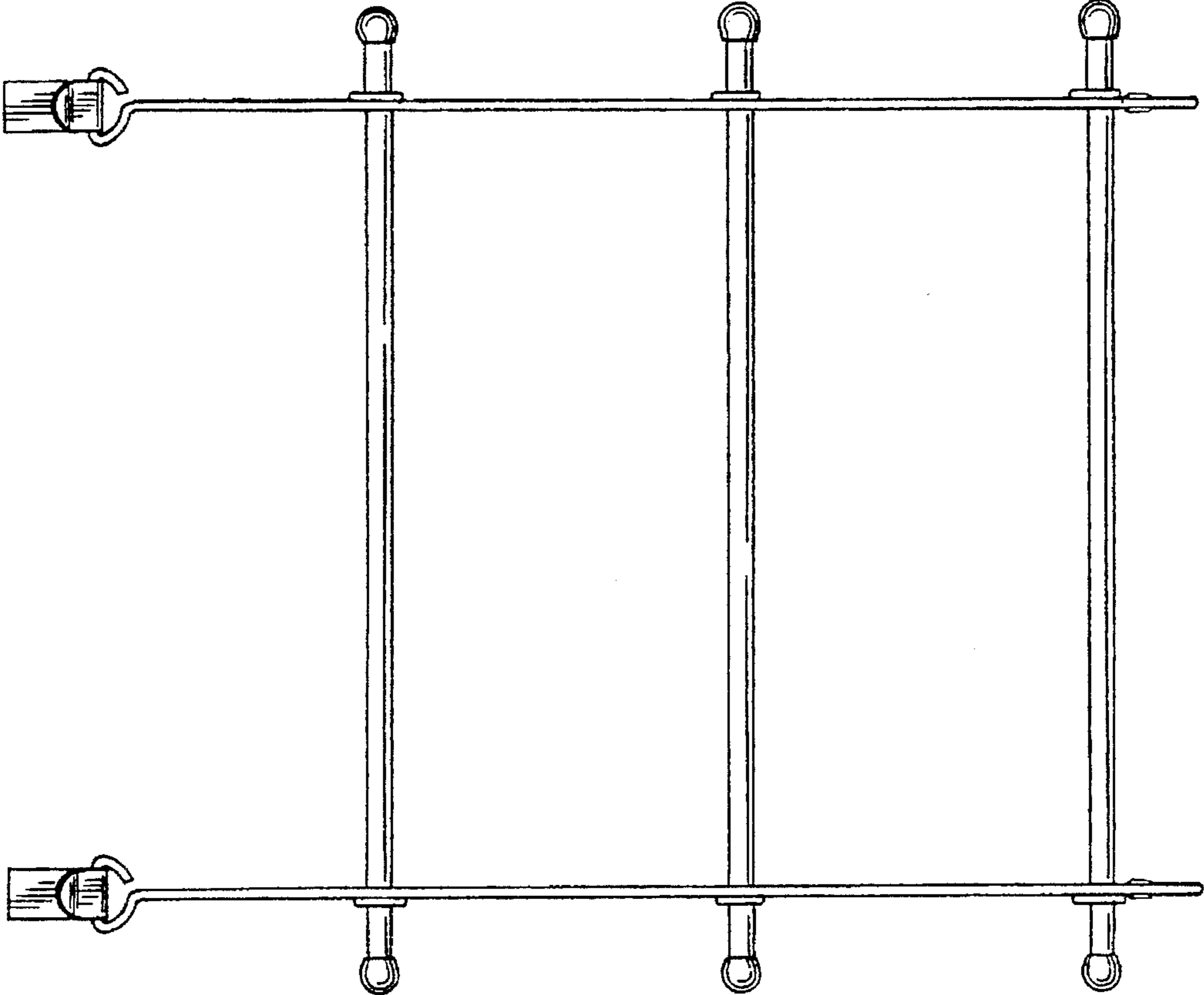


FIG. 5

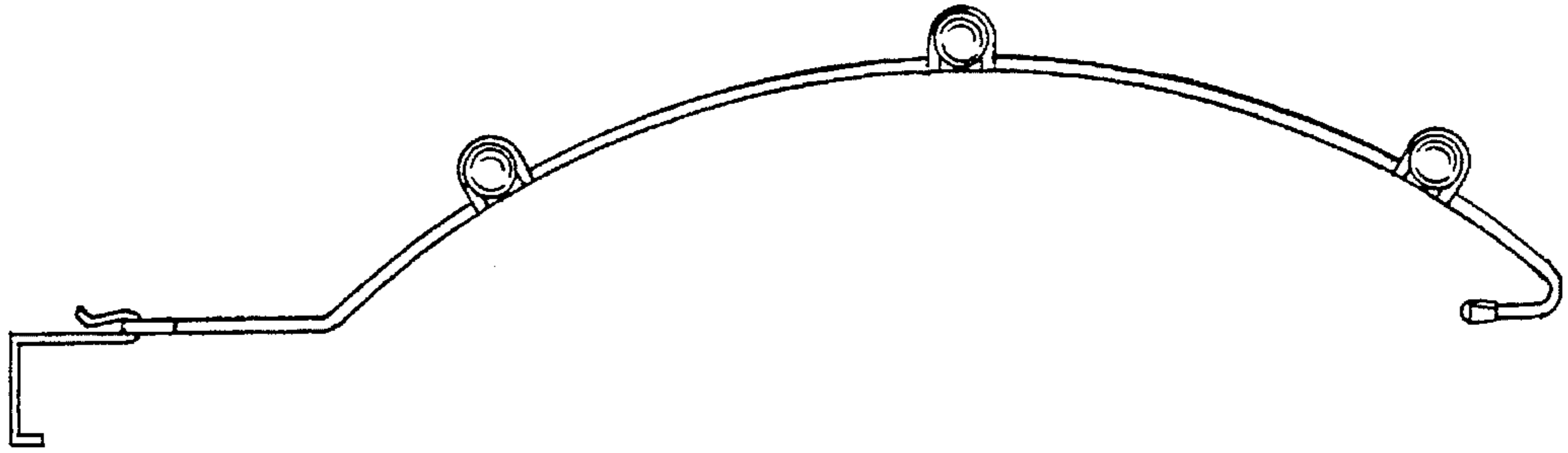


FIG. 4

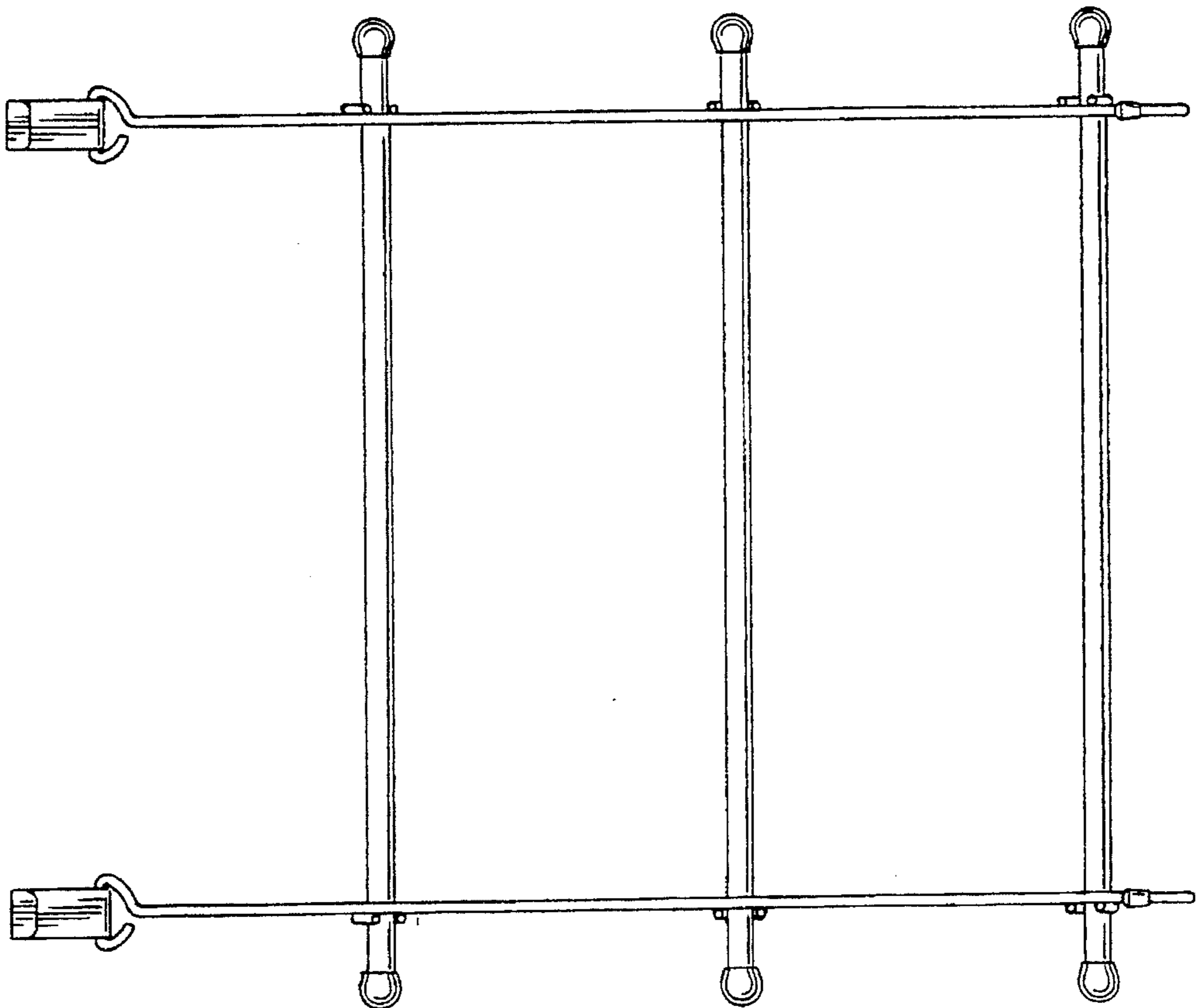


FIG. 6

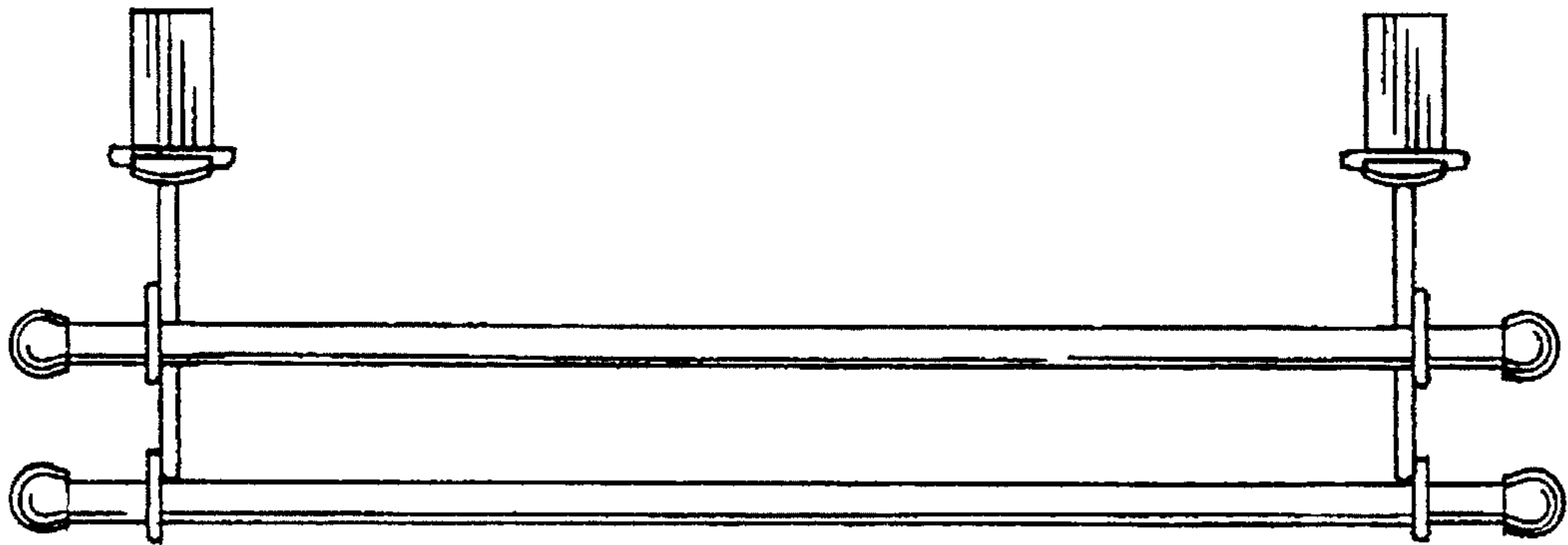


FIG. 7

