



US00D367791S

United States Patent [19]

[11] Patent Number: **Des. 367,791**

Emery et al.

[45] Date of Patent: ****Mar. 12, 1996**

[54] **SHOWER CADDY**

D. 315,840 4/1991 Emery D6/525

[75] Inventors: **William W. Emery**, Berkeley Heights;
Russell A. Fritts, Warren, both of N.J.

Primary Examiner—Brian N. Vinson
Attorney, Agent, or Firm—Hopgood, Calimafde, Kalil & Judlowe

[73] Assignee: **Better Sleep Mfg. Co.**, Berkeley Heights, N.J.

[57] **CLAIM**

[**] Term: **14 Years**

The ornamental design for a shower caddy, as shown and described.

[21] Appl. No.: **39,249**

DESCRIPTION

[22] Filed: **May 25, 1995**

[52] U.S. Cl. **D6/525**

[58] Field of Search D6/524-525, 537,
D6/555, 566-567; D11/131, 133; 211/87,
90, 106, 181

FIG. 1 is a top right perspective view of a shower caddy showing our new design;
FIG. 2 is a top plan view thereof;
FIG. 3 is a front elevation view thereof;
FIG. 4 is a right side elevation view thereof;
FIG. 5 is a left side elevation view thereof;
FIG. 6 is a rear elevation view thereof; and,
FIG. 7 is a bottom plan view thereof.

[56] **References Cited**

U.S. PATENT DOCUMENTS

D. 195,297 5/1963 Raphael D6/525
D. 251,522 4/1979 Chapman D6/525

1 Claim, 4 Drawing Sheets

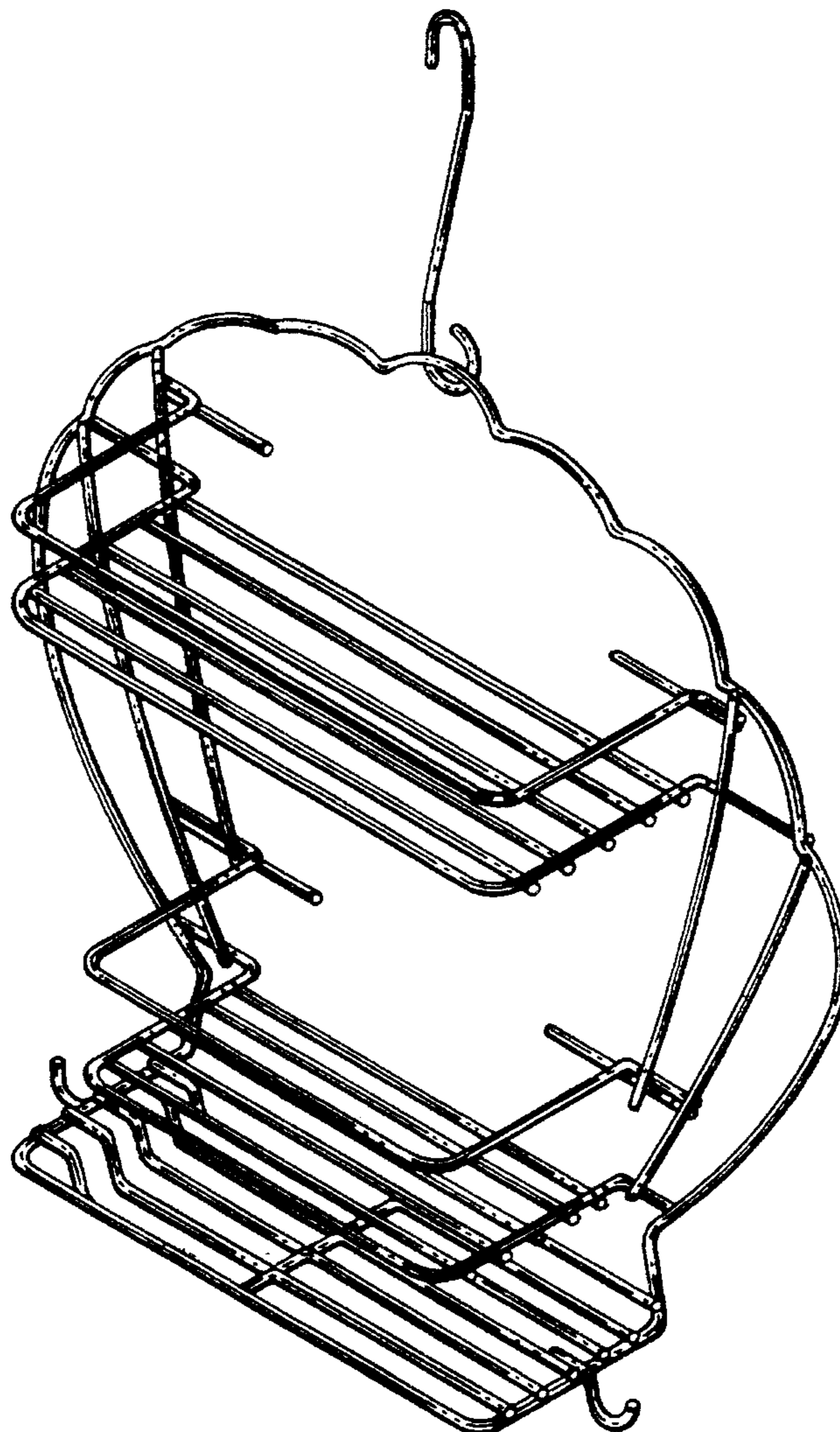
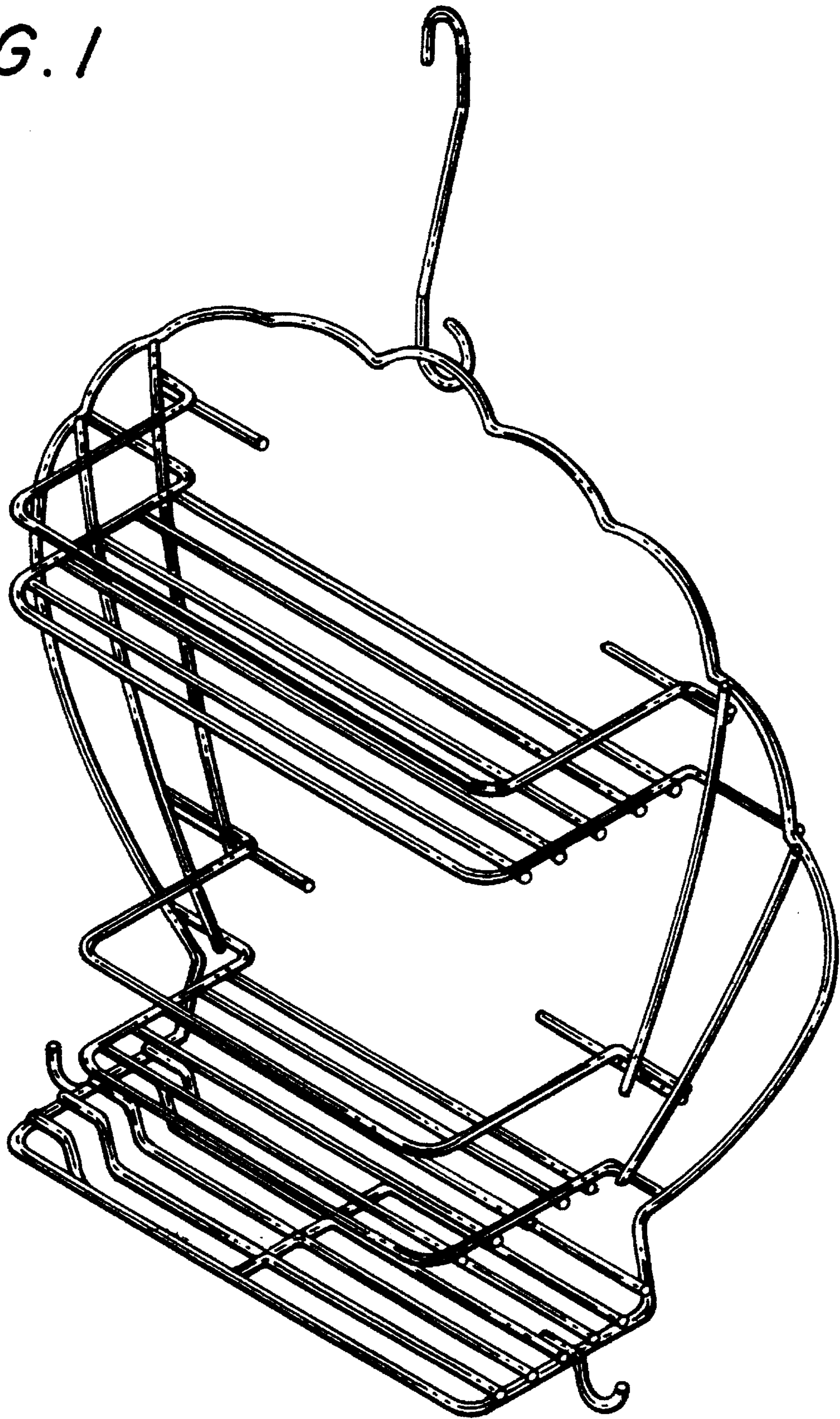


FIG. 1



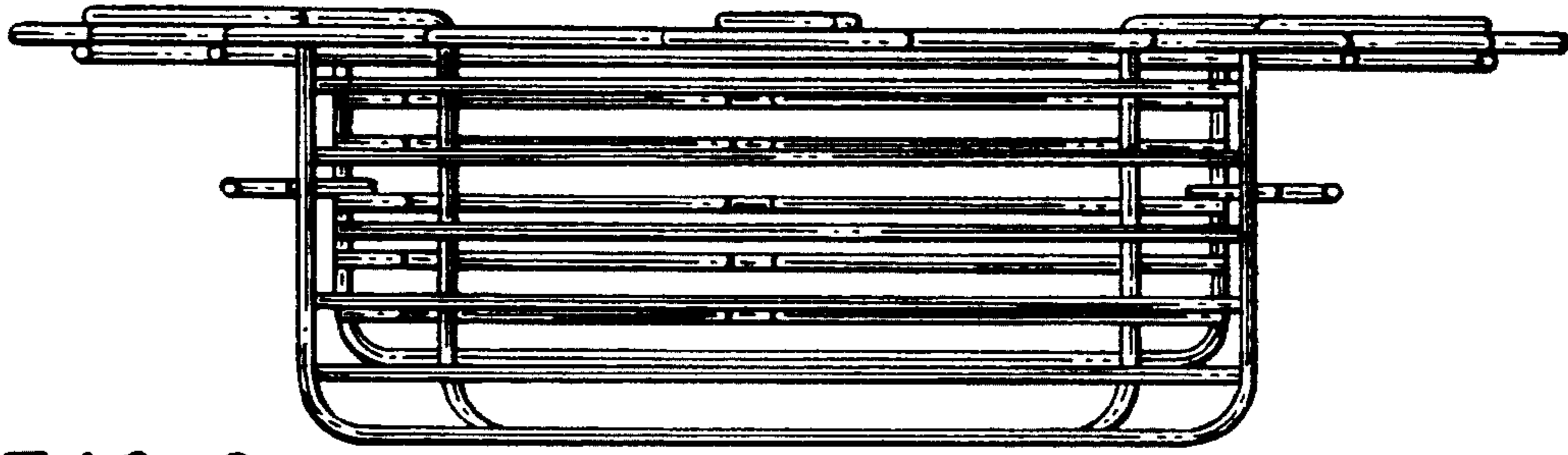


FIG. 2

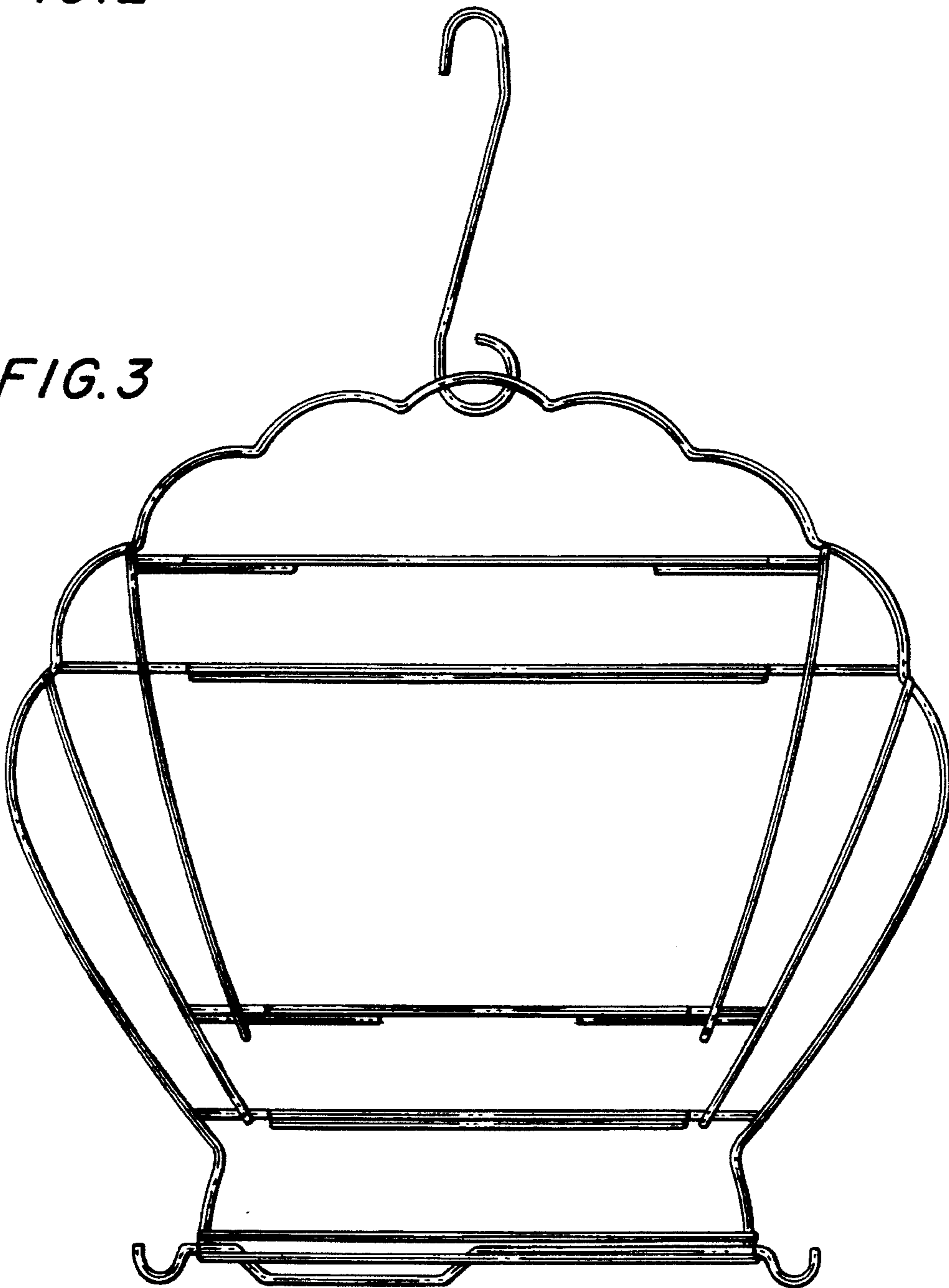


FIG. 3

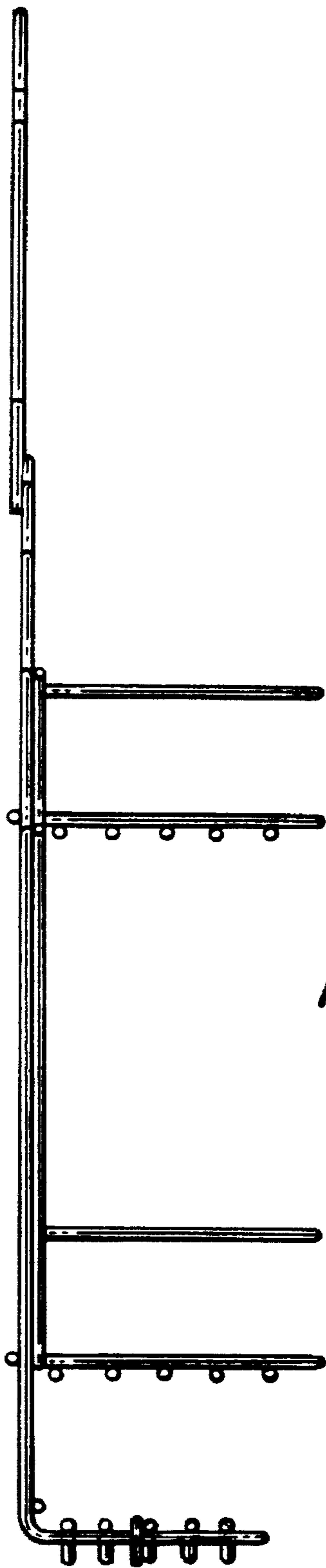


FIG. 5

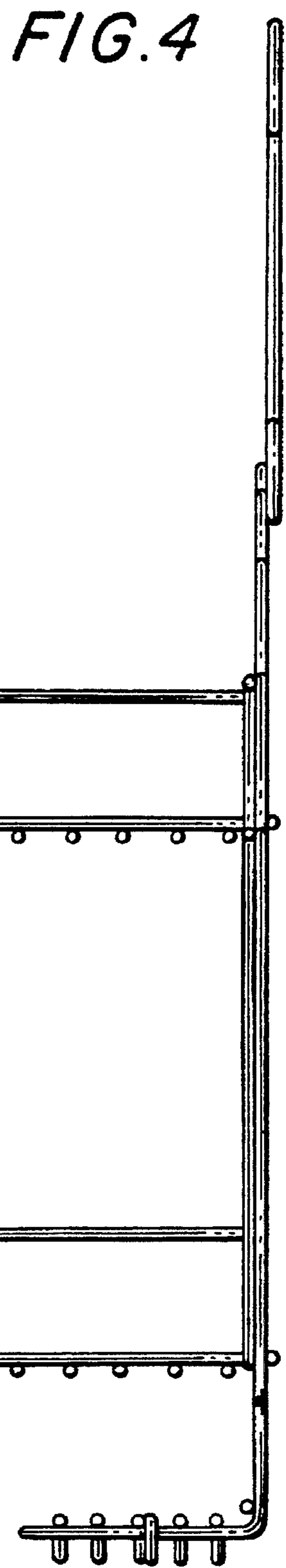


FIG. 4

FIG. 6

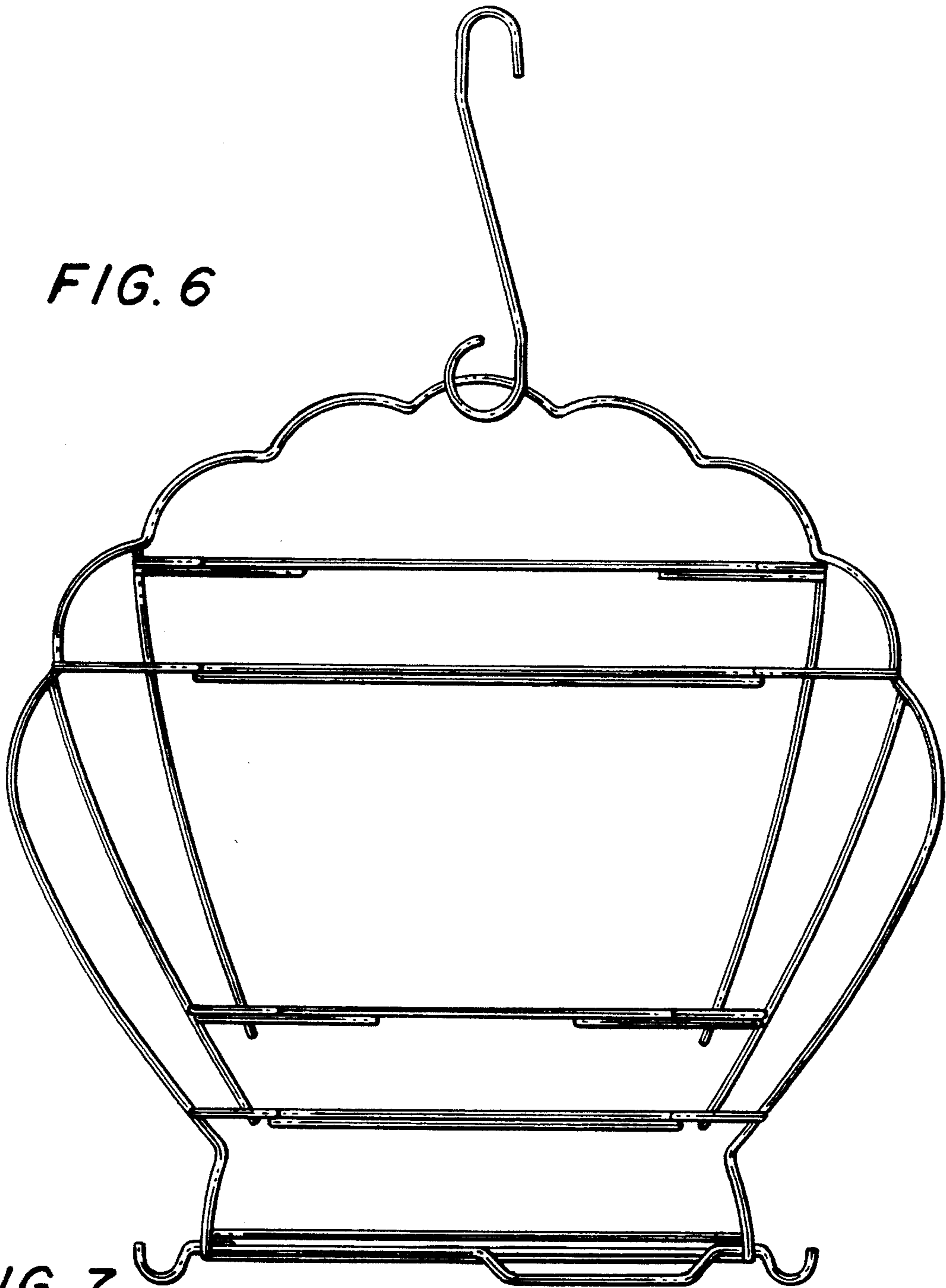


FIG. 7

