



US00D367790S

United States Patent [19]

[11] Patent Number: **Des. 367,790**

Munoz et al.

[45] Date of Patent: ****Mar. 12, 1996**

[54] **SHOWER CADDY EXTENDER**

[75] Inventors: **Raul Munoz**, Chicago; **Charmaine A. Alsager**, Park Forest, both of Ill.

[73] Assignee: **Selfix, Inc.**, Chicago, Ill.

[**] Term: **14 Years**

[21] Appl. No.: **36,989**

[22] Filed: **Mar. 31, 1995**

[52] U.S. Cl. **D6/525**; D6/513; D6/566

[58] Field of Search D6/524-525, 566,
D6/513; 211/88, 106, 113, 119

[56] **References Cited**

U.S. PATENT DOCUMENTS

D. 315,840	4/1991	Emery	D6/525
D. 348,369	7/1994	Nakamura	D6/525
3,923,162	12/1975	Hussey	211/119

Primary Examiner—Brian N. Vinson
Attorney, Agent, or Firm—Dressler, Goldsmith, Shore & Milnamow, Ltd.

[57] **CLAIM**

The ornamental design for a shower caddy extender, as shown and described.

DESCRIPTION

FIG. 1 is a perspective view of a shower caddy extender showing our new design, the broken-line disclosure of a portion of a shower caddy being for illustrative purposes only and forming no part of the claimed design; FIG. 2 is a front elevational view thereof; FIG. 3 is a right side elevational view thereof; FIG. 4 is a rear elevational view thereof; FIG. 5 is a left side elevational view thereof; FIG. 6 is a top plan view thereof; and, FIG. 7 is a bottom plan view thereof.

1 Claim, 4 Drawing Sheets

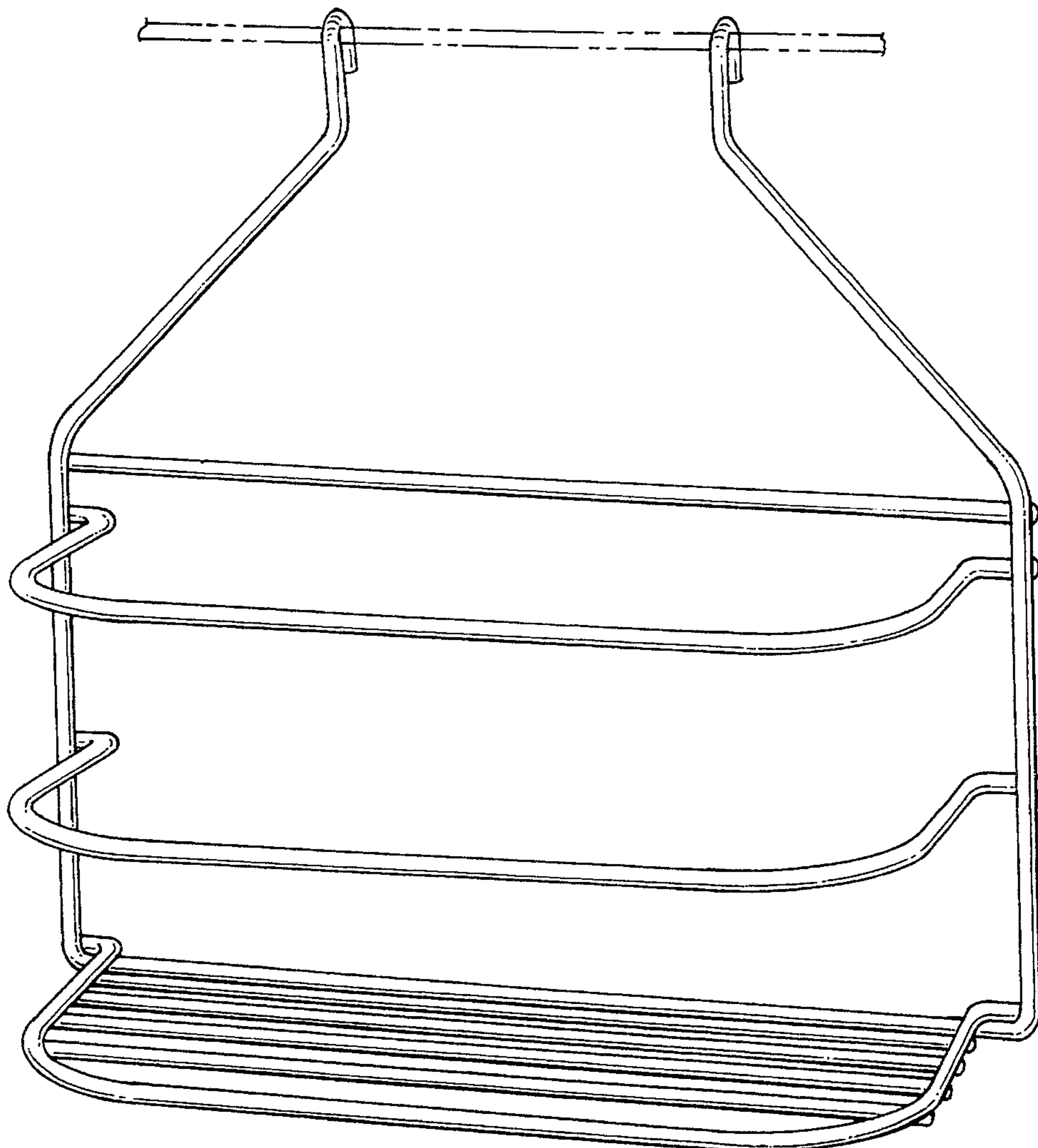


FIG. 1

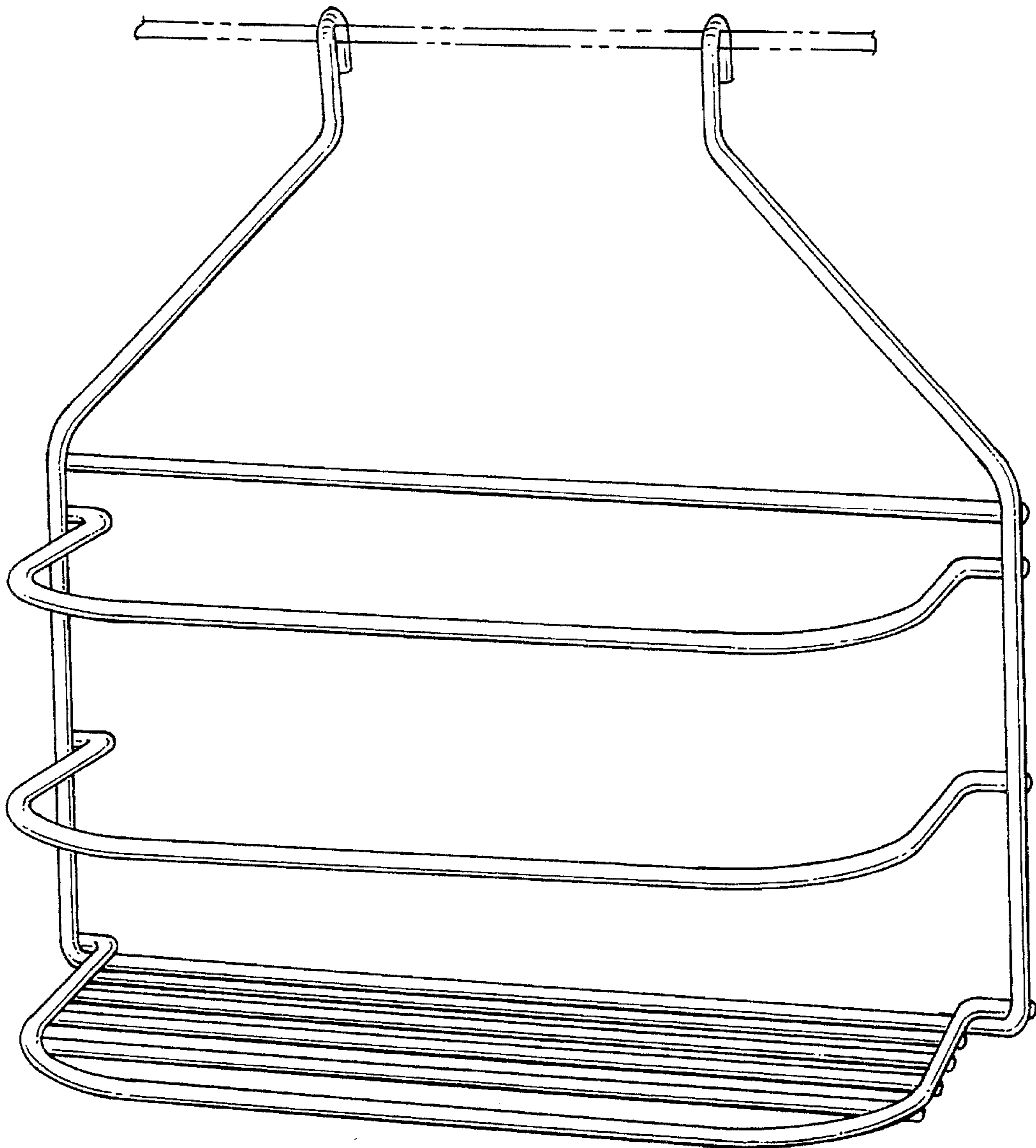


FIG.3

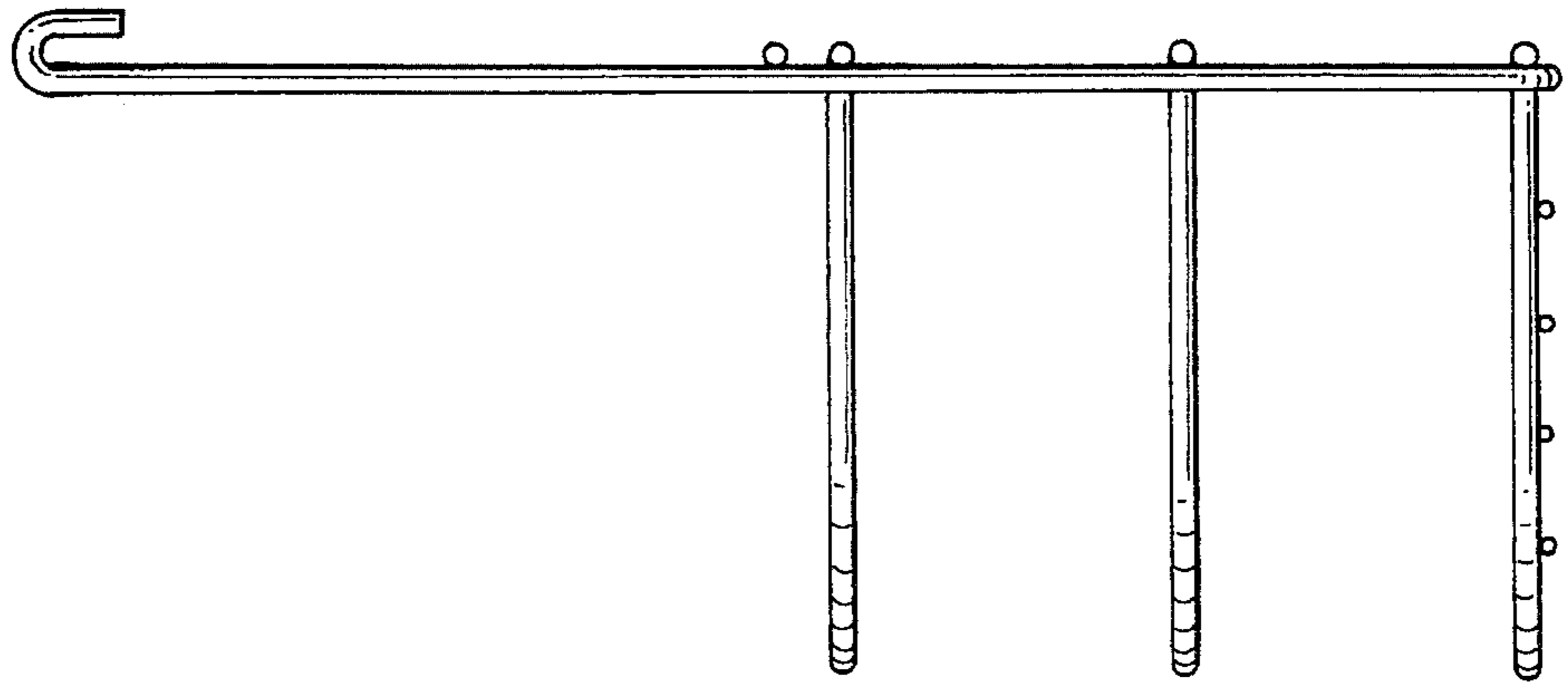


FIG.2

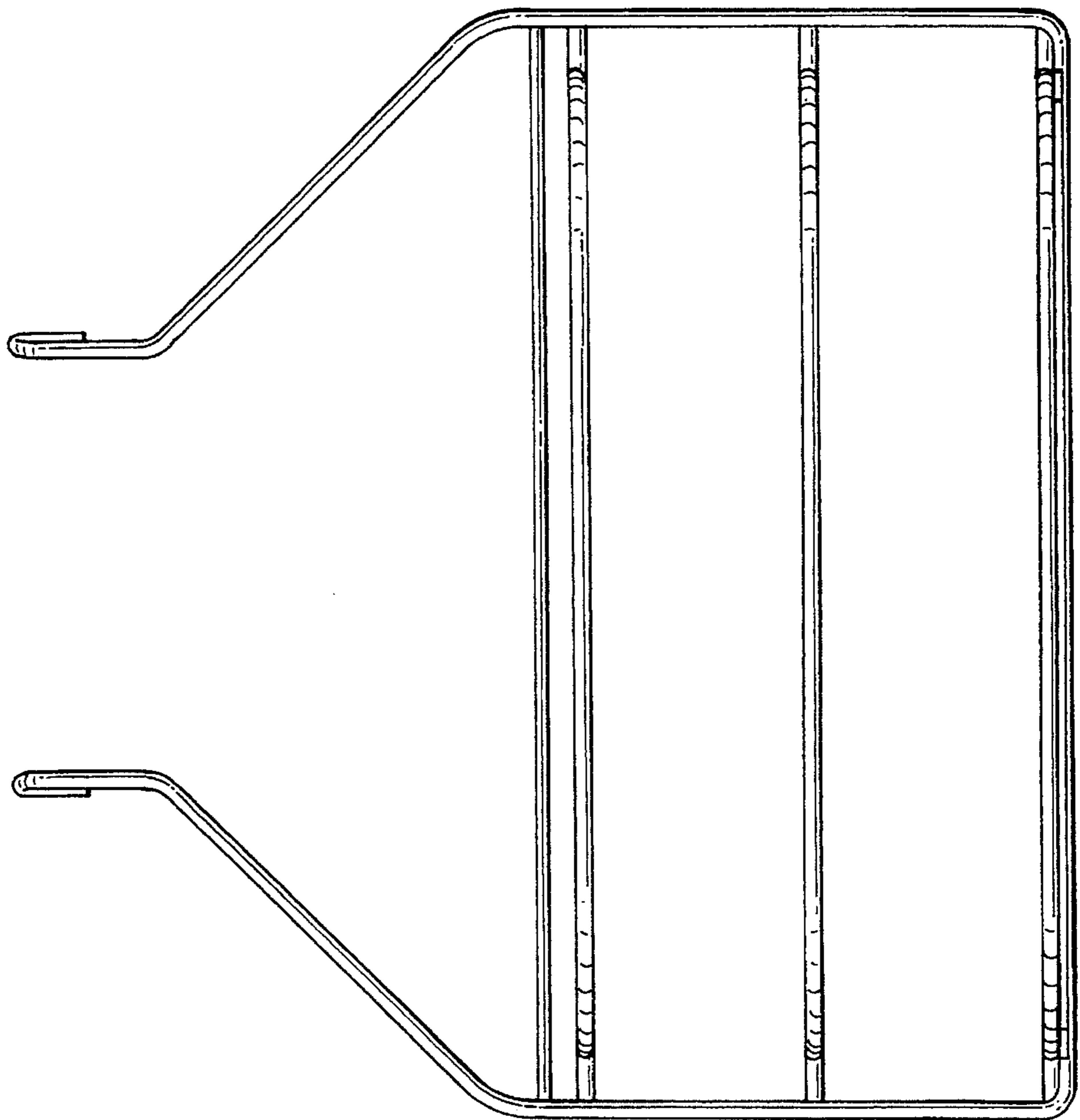


FIG.5

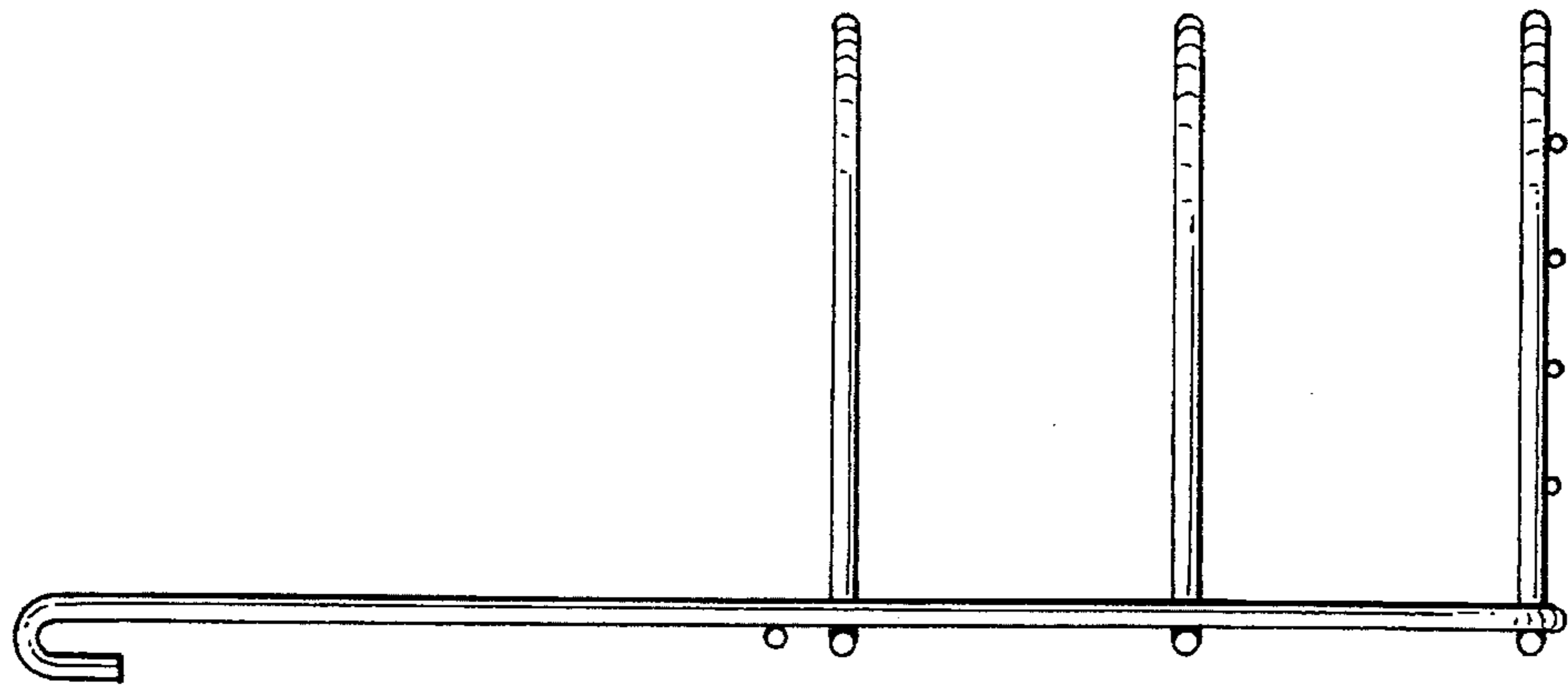


FIG.4

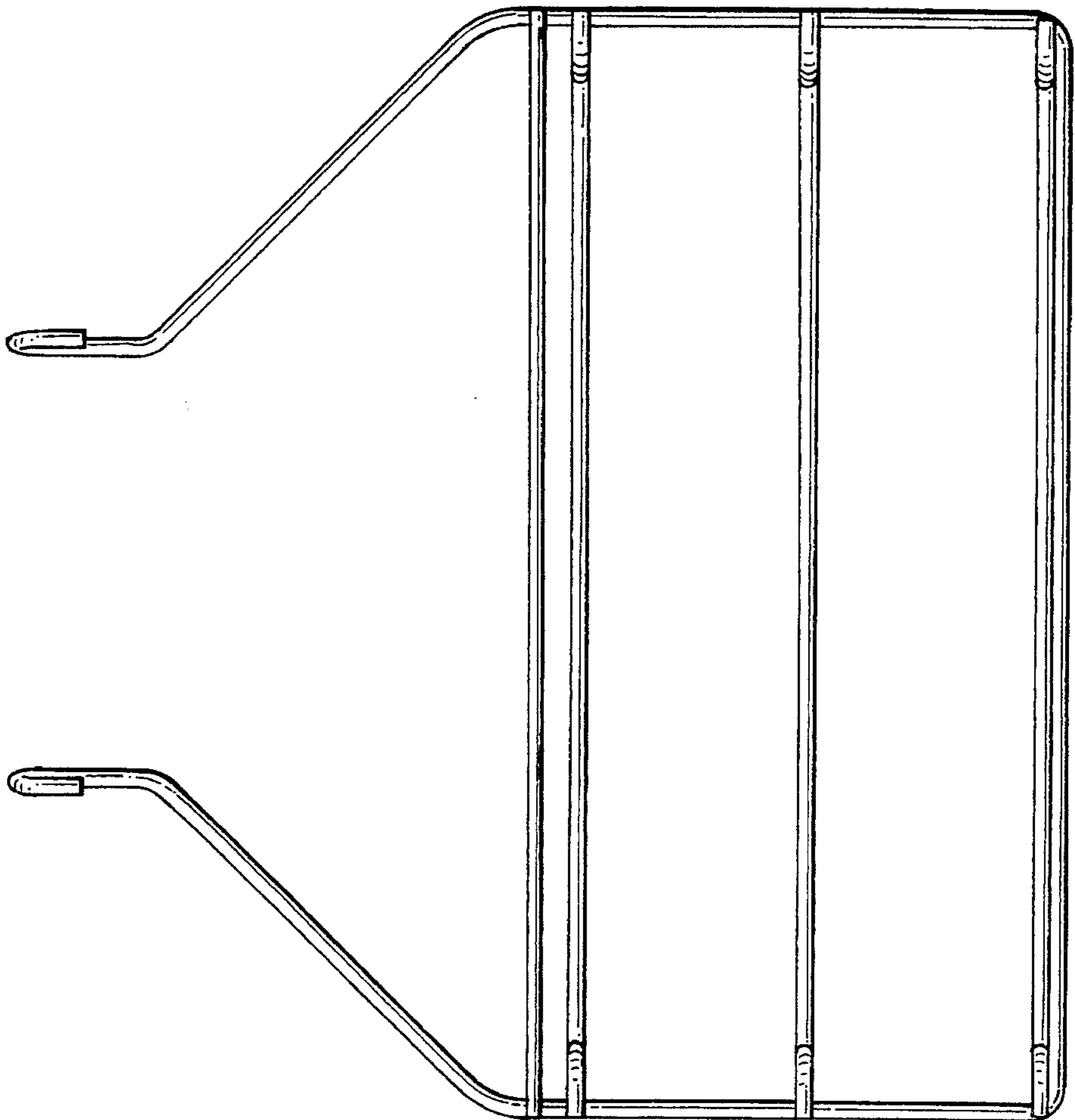


FIG.6

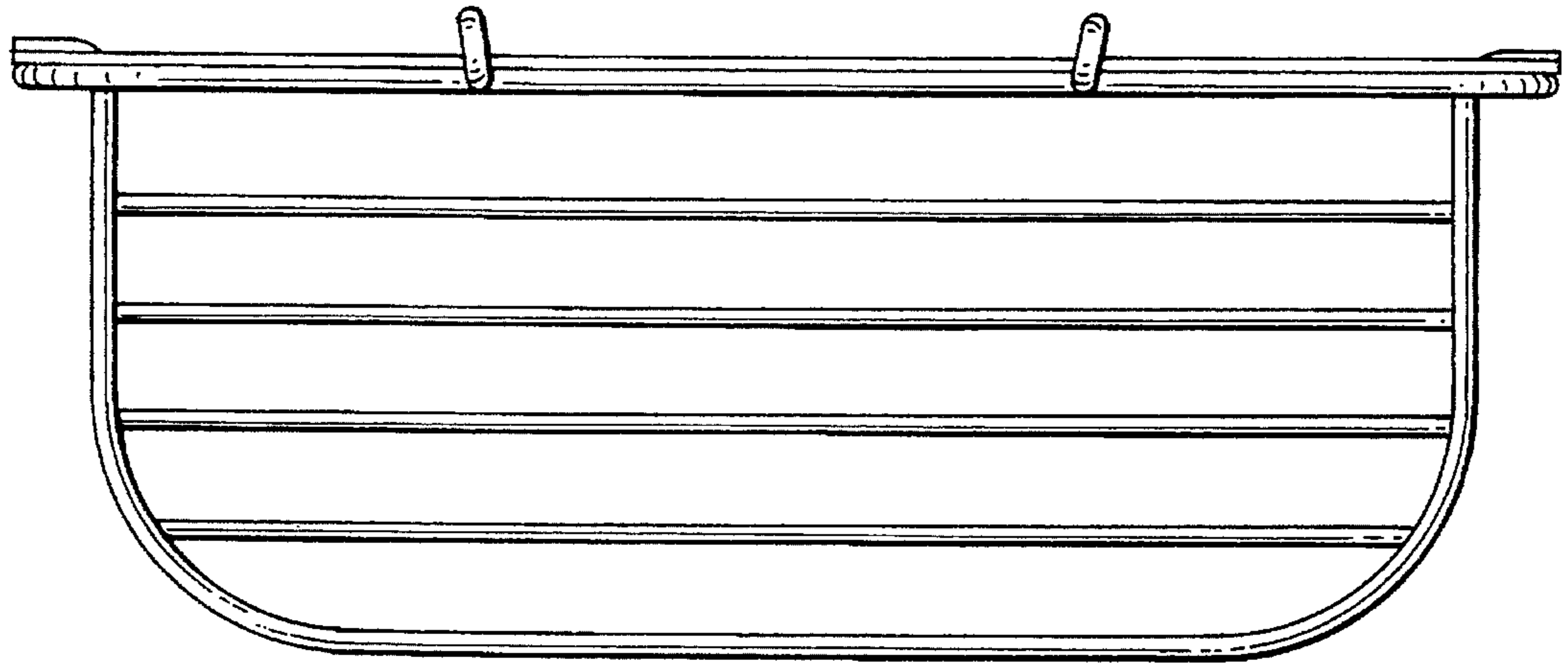


FIG.7

