



US00D367789S

United States Patent [19]
Barile

[11] **Patent Number: Des. 367,789**
[45] **Date of Patent: **Mar. 12, 1996**

[54] **SWIVEL MECHANISM FOR ROTATING CHAIR OR STOOL SEAT**

[75] Inventor: **Peter Barile**, Morristown, Tenn.

[73] Assignee: **Shelby Williams Industries, Inc.**, Morristown, Tenn.

[**] Term: **14 Years**

[21] Appl. No.: **21,279**

[22] Filed: **Apr. 13, 1994**

[52] U.S. Cl. **D6/500; D6/491**

[58] **Field of Search** D6/349-353, 355, D6/500-502; 297/461, 462, 311, 344.26, 452.55, 344.11, 344.21-344.25; D30/123, 129; 108/139; 248/188, 188.1, 415, 425, 349; D21/87; D7/407, 584, 586, 501, 547, 610; 220/240, 241; 174/66, 67; 5/402, 405

[56] **References Cited**

U.S. PATENT DOCUMENTS

D. 178,029	6/1956	Warren	D7/501
826,917	7/1906	Bedell	.	
924,938	6/1909	Richter	108/139
2,238,710	4/1941	Shapiro	220/241
2,528,950	11/1950	Engstrom	.	
3,009,739	11/1961	Hamilton	.	
3,042,458	7/1962	Kirk	.	
4,544,202	10/1985	Keaton	297/344.22

4,676,551	6/1987	McDowell	297/461 X
4,928,620	5/1990	Currey	297/344.21 X
5,056,746	10/1991	Parsons et al.	248/188
5,380,064	1/1995	Lamono	297/344.22

OTHER PUBLICATIONS

House Furnishing Review, Feb. 1938, p. 43, Hostess tray at center, bottom plate.

Houseware Review, Jun. 1960, p. 38, top plate.

Primary Examiner—Janice E. Seeger

Attorney, Agent, or Firm—Silverman, Cass & Singer, Ltd.

[57] **CLAIM**

The ornamental design for a swivel mechanism for rotating chair or stool seat, as shown and described.

DESCRIPTION

FIG. 1 is a bottom perspective view of the swivel mechanism for rotating chair or stool seat installed on the rotating seat of a chair illustrated in broken outline;

FIG. 2 is a side elevational view of the swivel mechanism installed on a rotating seat of a chair;

FIG. 3 is a bottom plan view thereof;

FIG. 4 is a bottom perspective view thereof installed on the rotating seat of a stool illustrated in broken outline; and, FIG. 5 is a top plan view thereof.

The broken lines are for environmental purposes only and form no part of the claimed design.

1 Claim, 1 Drawing Sheet

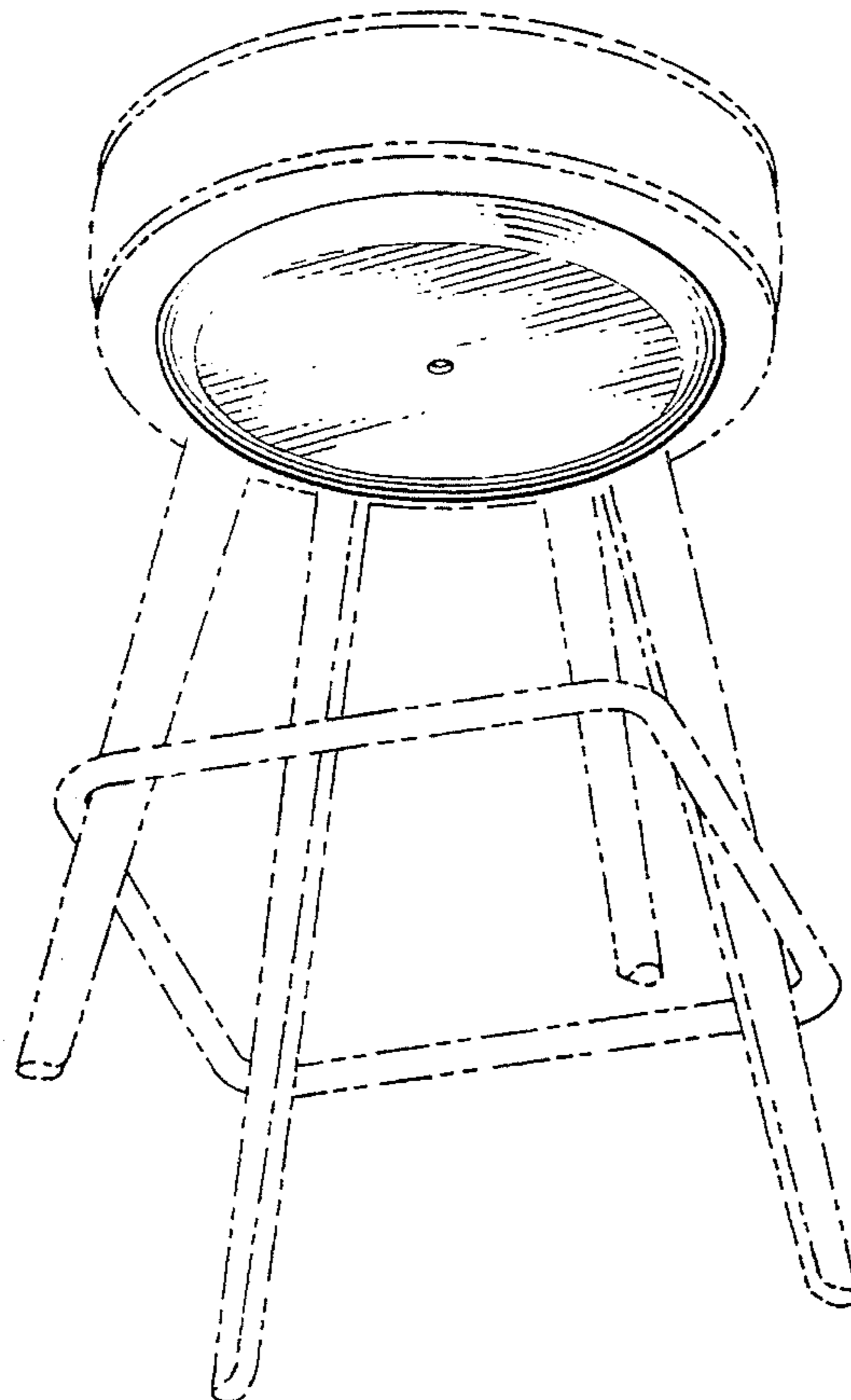


Fig. 1

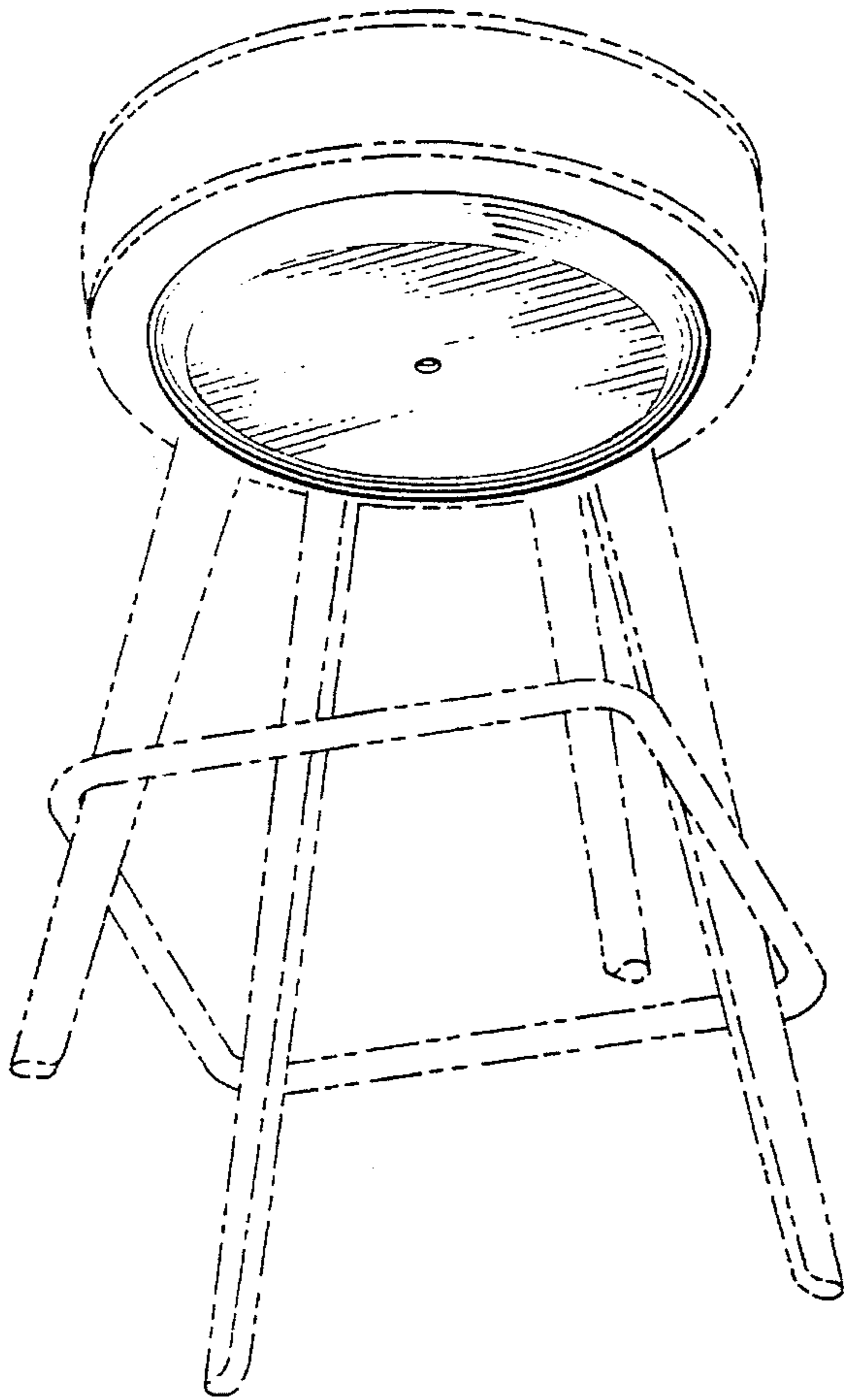


Fig. 4

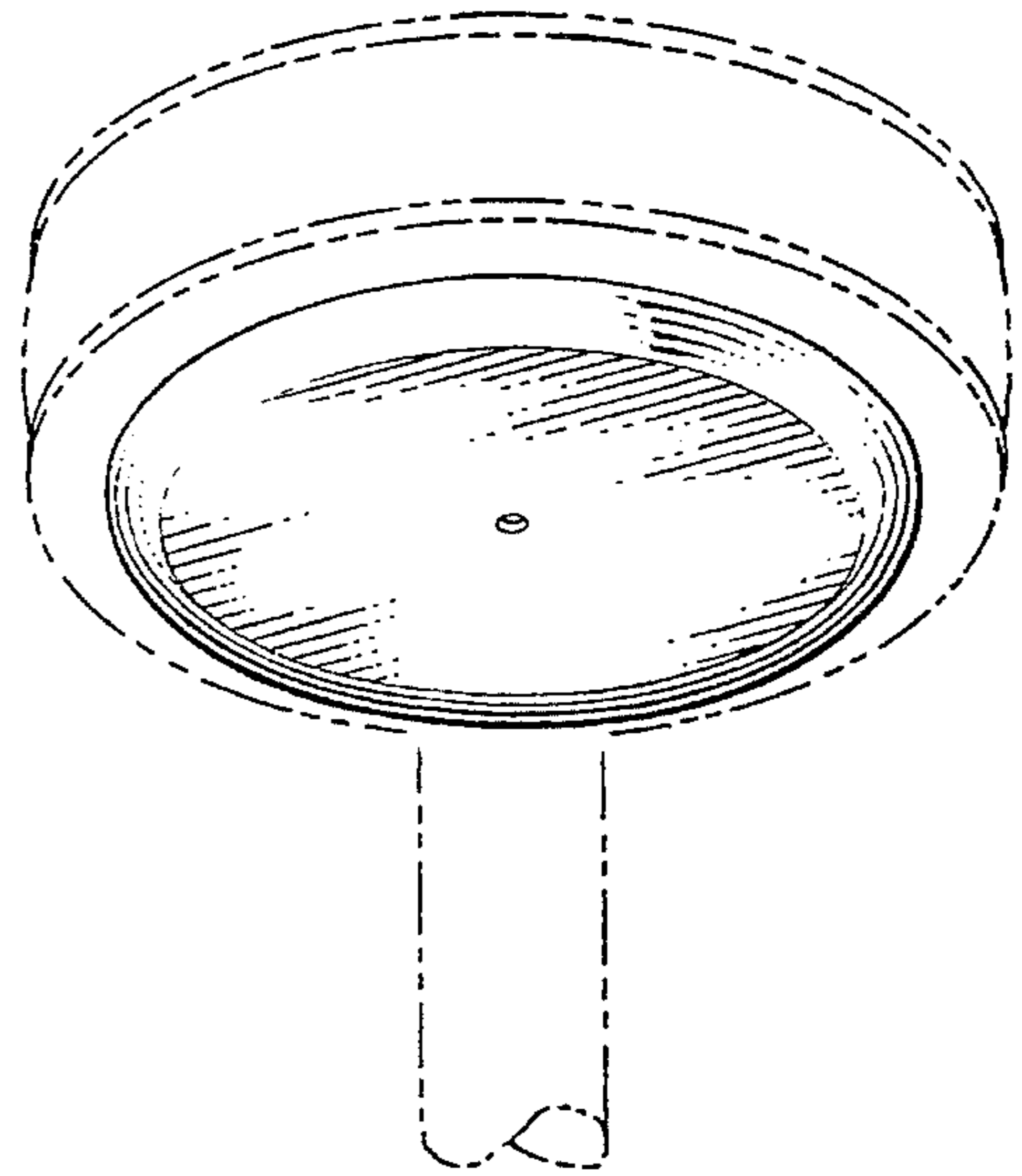


Fig. 5

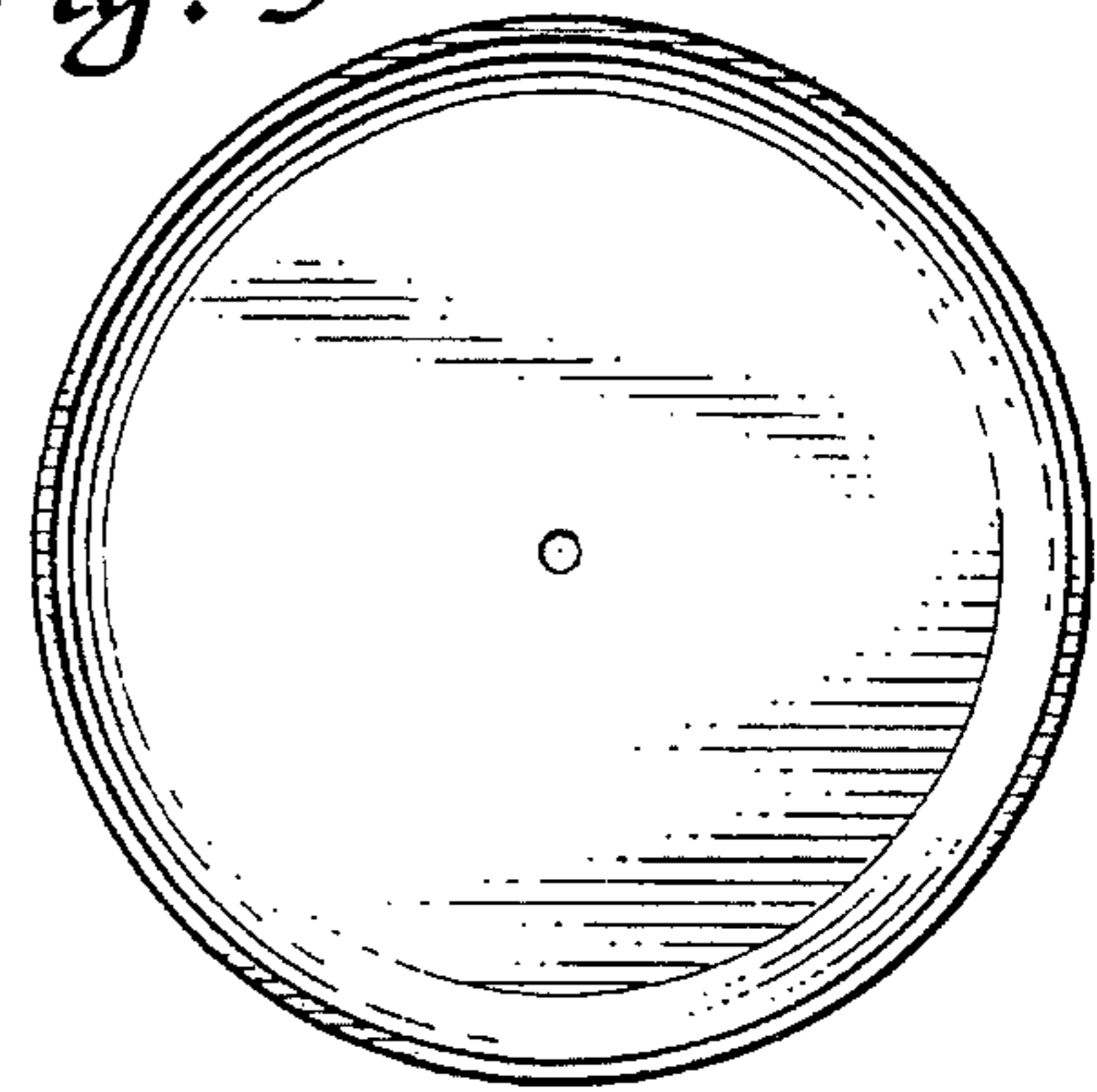


Fig. 2

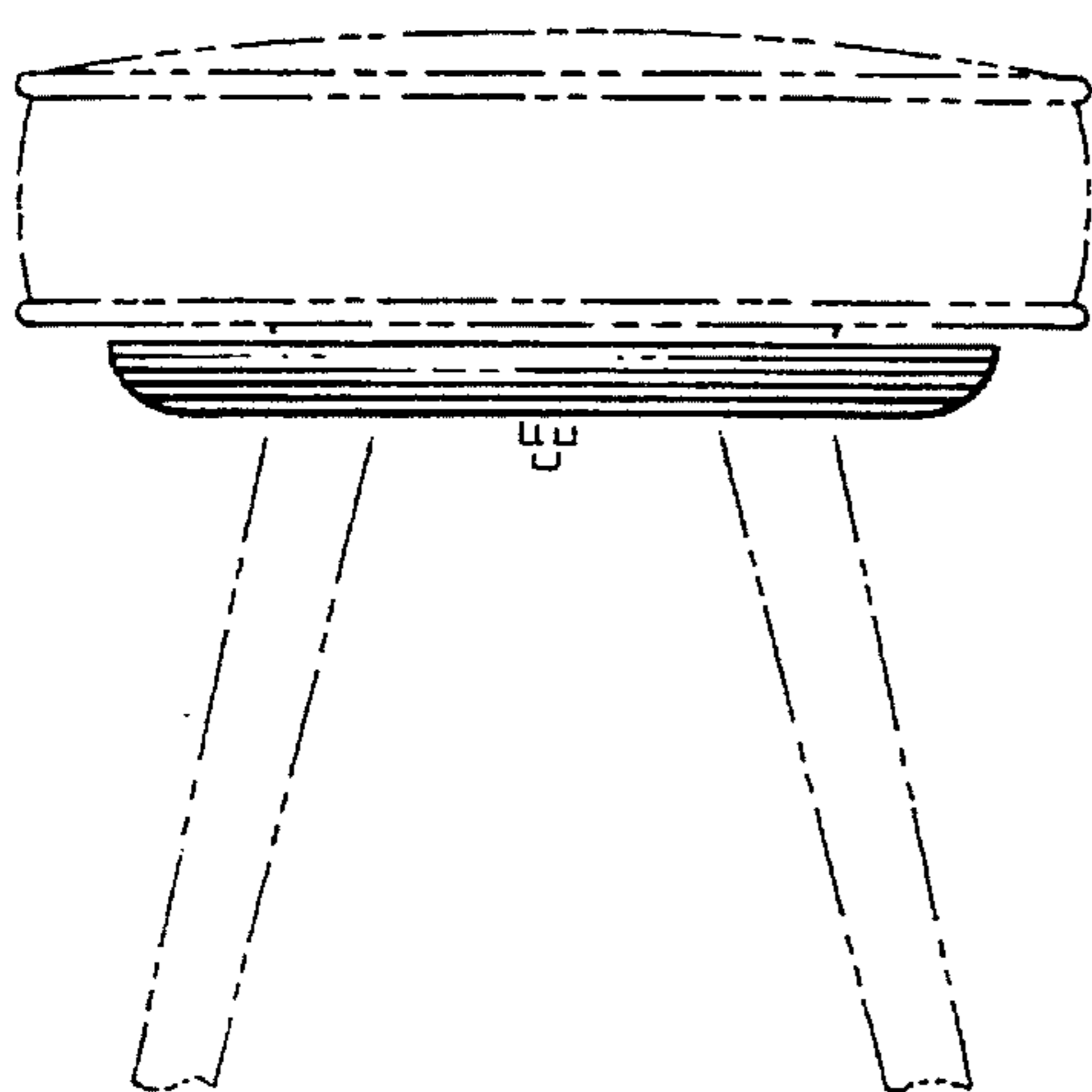


Fig. 3

