



US00D367788S

United States Patent [19]
Lawhorn

[11] **Patent Number: Des. 367,788**

[45] **Date of Patent: **Mar. 12, 1996**

[54] **PLAYPEN COVER**

5,188,380 2/1993 Tucek 5/416 X

[76] Inventor: **Anthony Lawhorn**, 415 N. 17th,
Richmond, Ind. 47374

OTHER PUBLICATIONS

J. C. Penney For Baby ©1992, See p. 43 Item N—lower right.

[**] Term: **14 Years**

Primary Examiner—Martie Thompson
Attorney, Agent, or Firm—Harold H. Dutton, Jr.

[21] Appl. No.: **39,028**

[22] Filed: **May 19, 1995**

[57] **CLAIM**

[52] U.S. Cl. **D6/491**

The ornamental design for a playpen cover, as shown and described.

[58] **Field of Search** D6/331, 333, 339,
D6/491; 297/184.13, 148-153; 5/414-416,
93.2, 97, 98.1, 99.1, 113, 655

DESCRIPTION

[56] **References Cited**

FIG. 1 is a perspective view of a playpen cover showing my new design;

U.S. PATENT DOCUMENTS

FIG. 2 is a left side view thereof partially folded shut;

D. 335,046	4/1993	Diaz	D6/333 X
1,169,521	1/1916	Taylor	5/97
3,071,782	1/1963	Ball	5/97
3,821,822	7/1974	Barreggine	5/93.2 X
4,043,349	8/1977	Gays et al.	5/97 X
4,825,484	5/1989	Riegel	5/97
4,846,204	7/1989	Sok Kyu	5/414 X
4,978,166	12/1990	James	297/184.13
5,184,865	2/1993	Mohtasham et al.	5/416 X

FIG. 3 is a left side view showing the playpen cover completely closed;

FIG. 4 is a right side view of FIG. 1 thereof;

FIG. 5 is a left side view thereof;

FIG. 6 is a top view thereof; and,

FIG. 7 is a bottom view thereof.

1 Claim, 3 Drawing Sheets

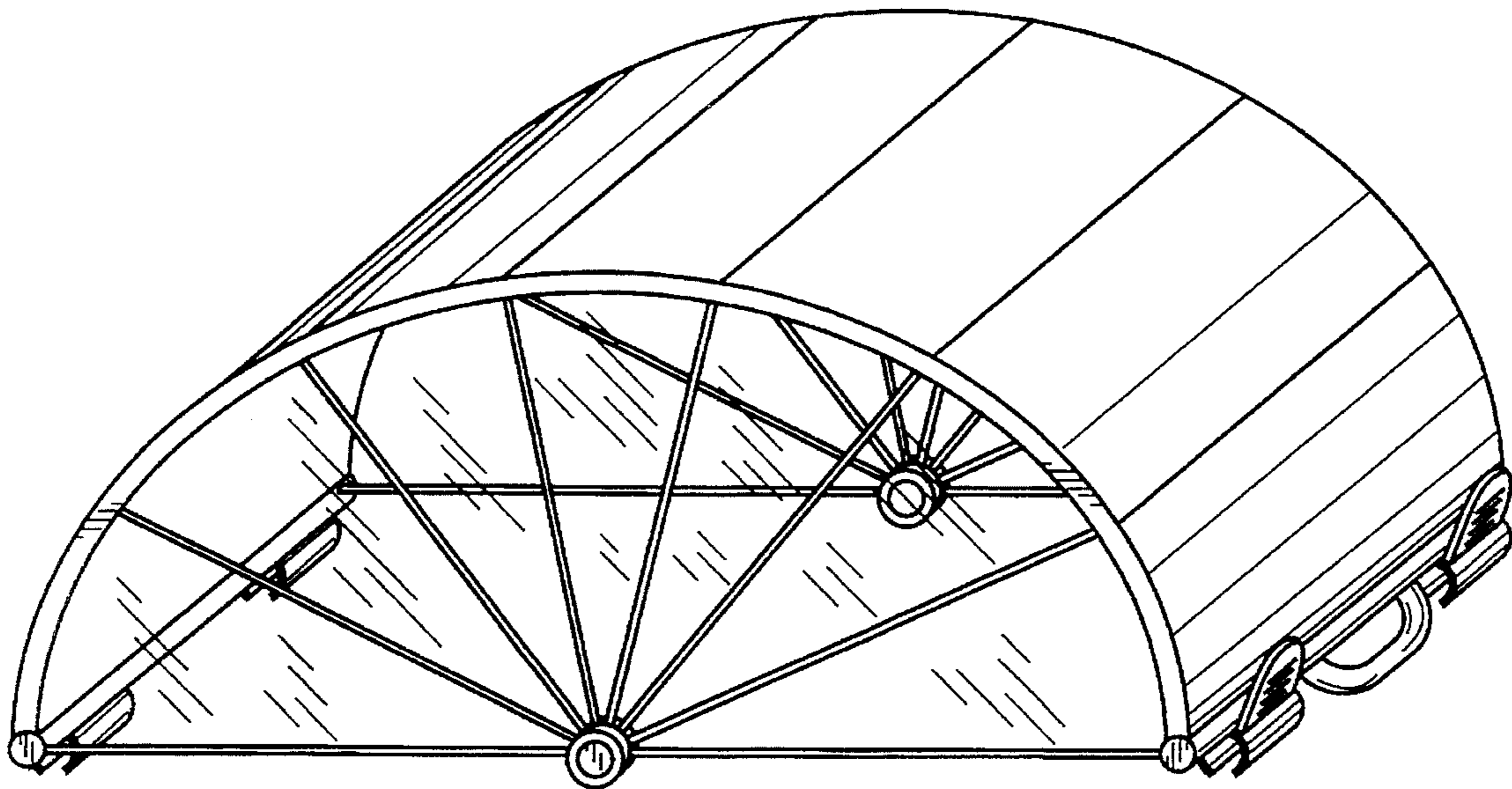


FIG. 1

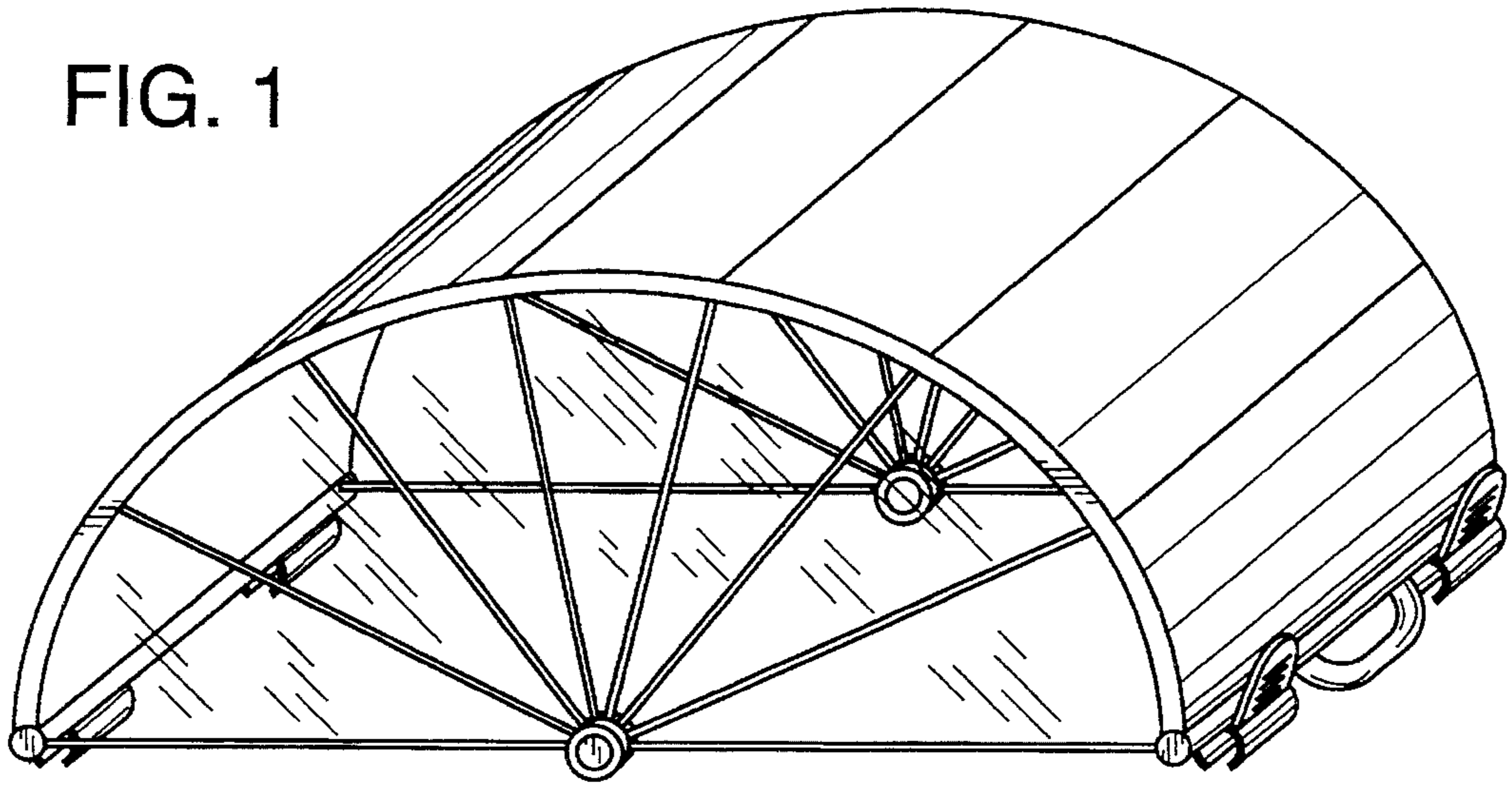


FIG. 2

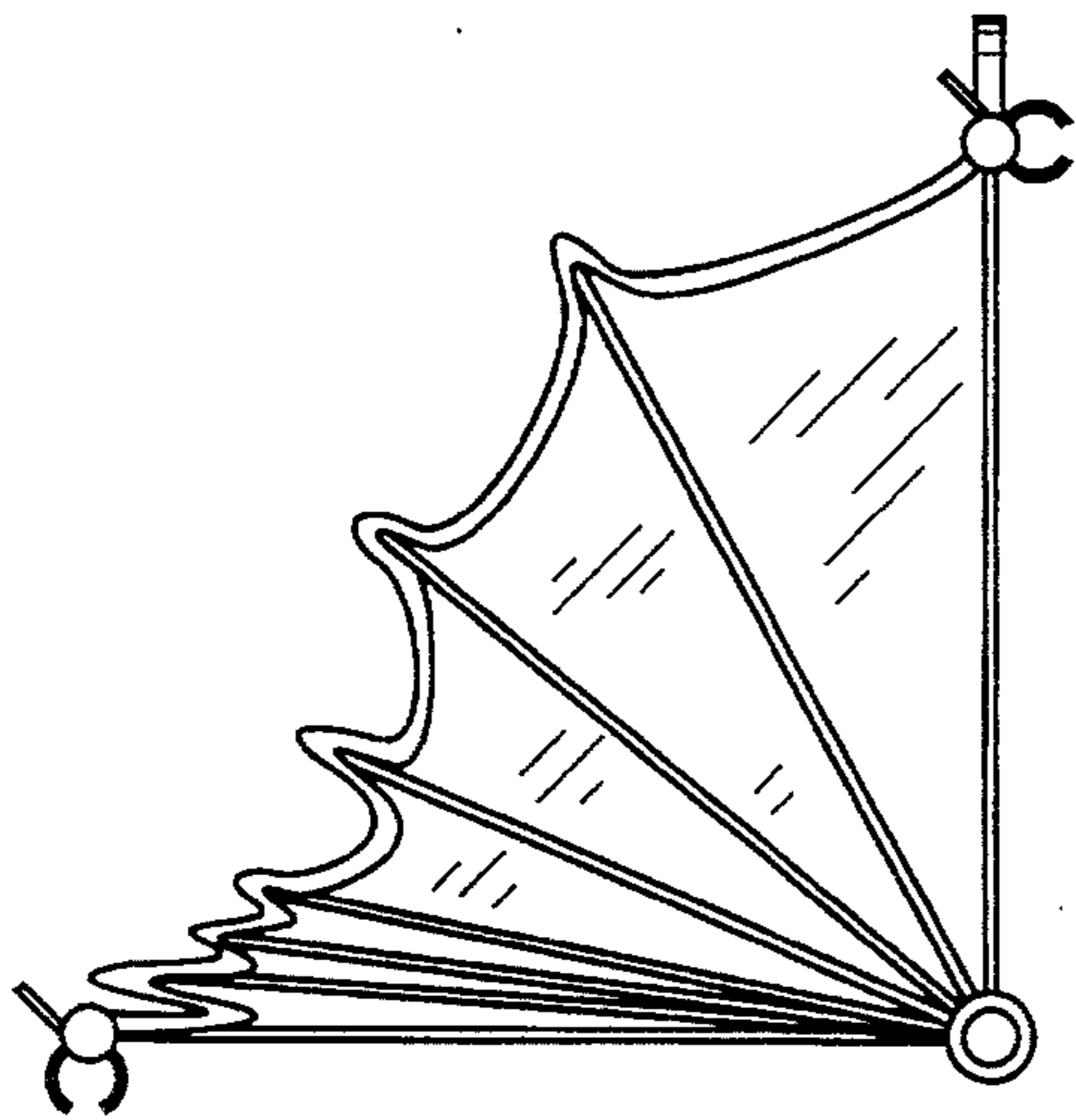


FIG. 3



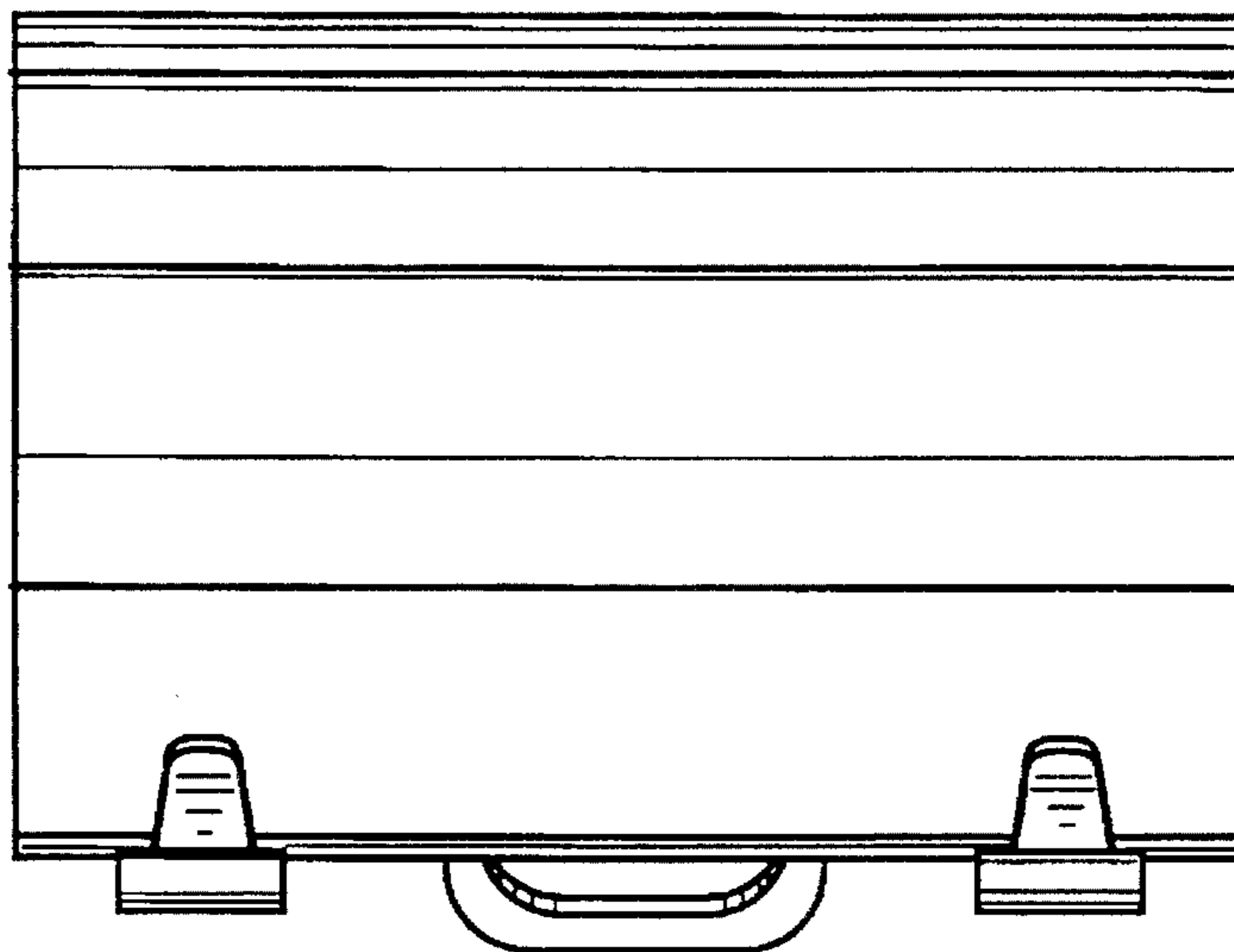


FIG. 4

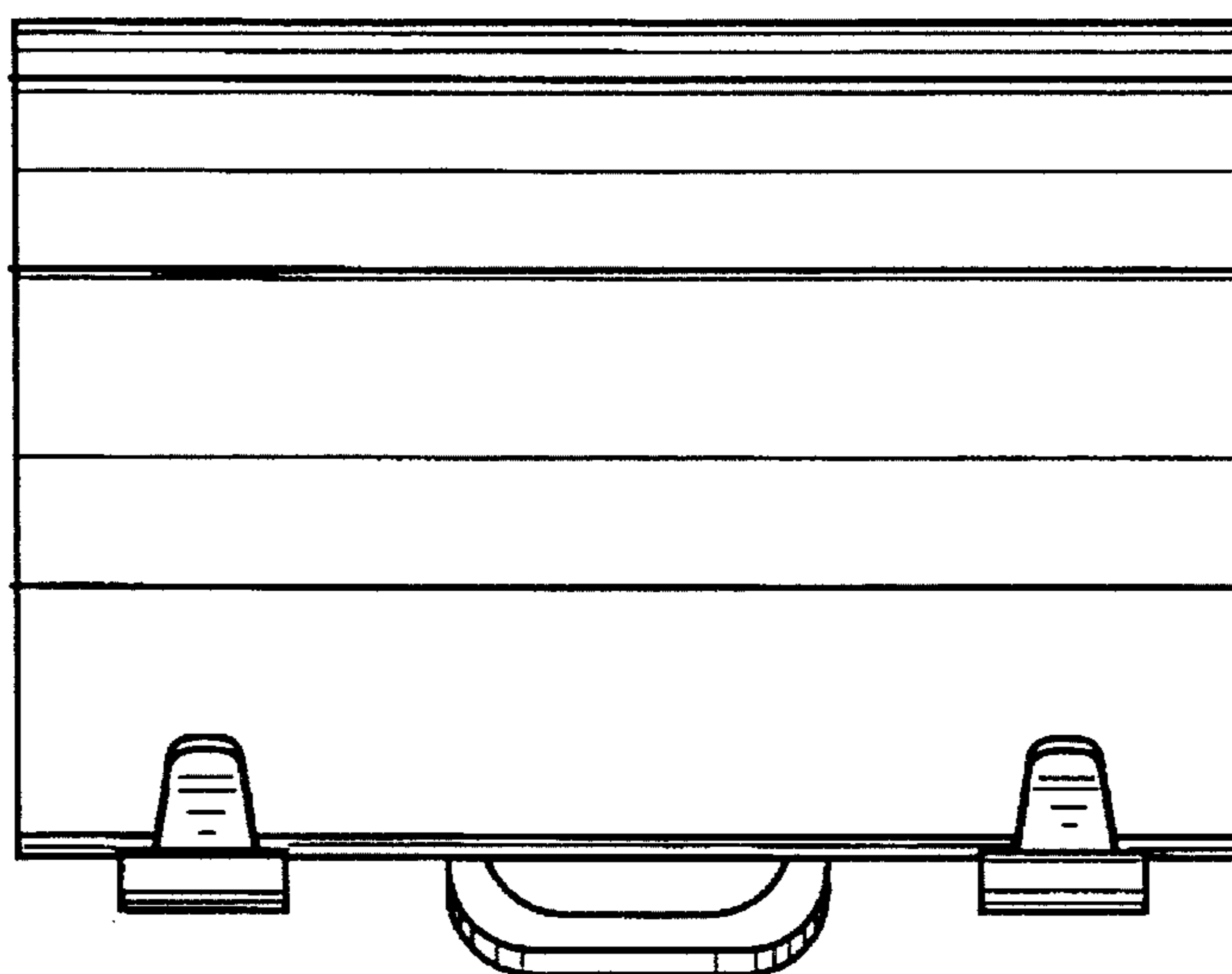


FIG. 5

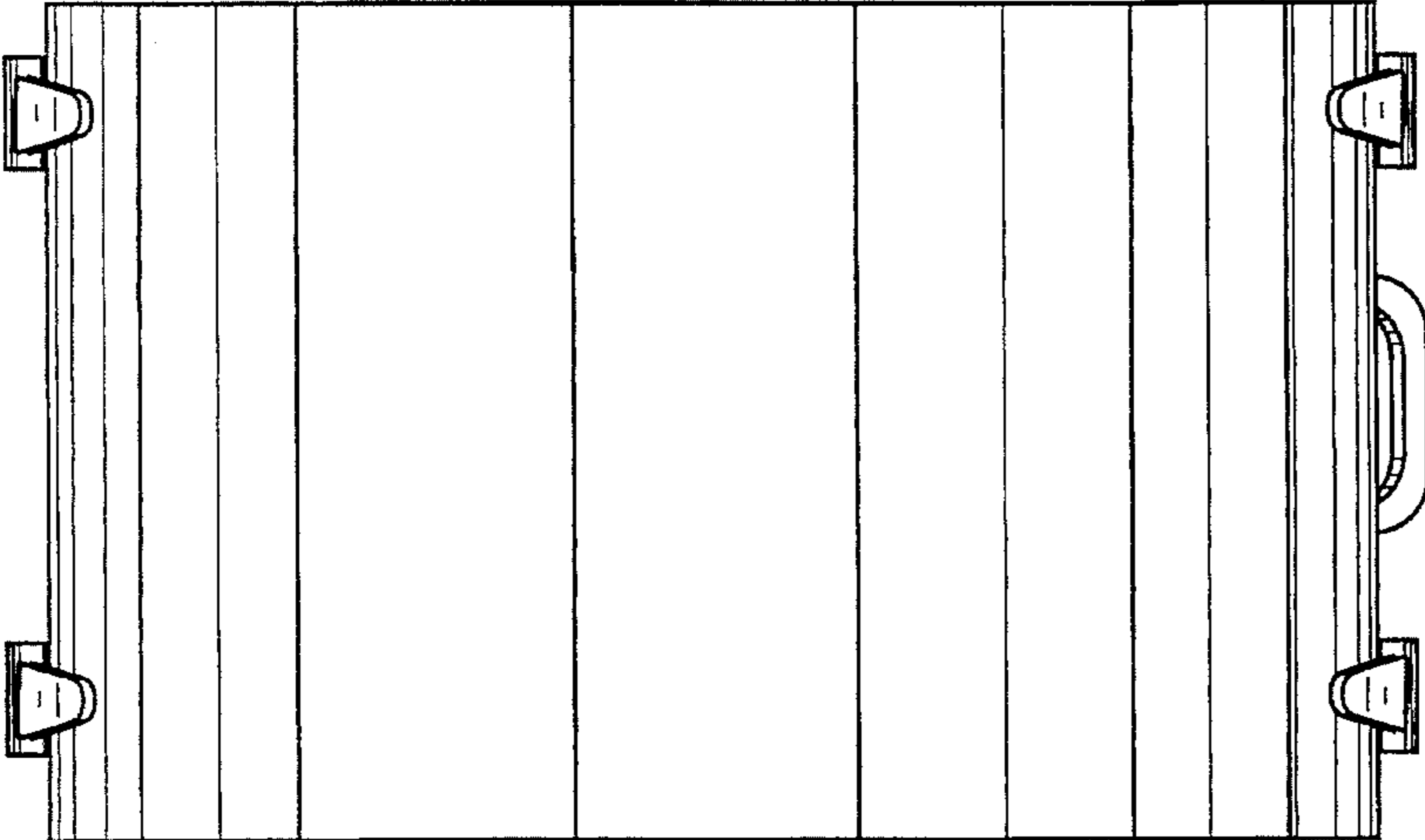


FIG. 6

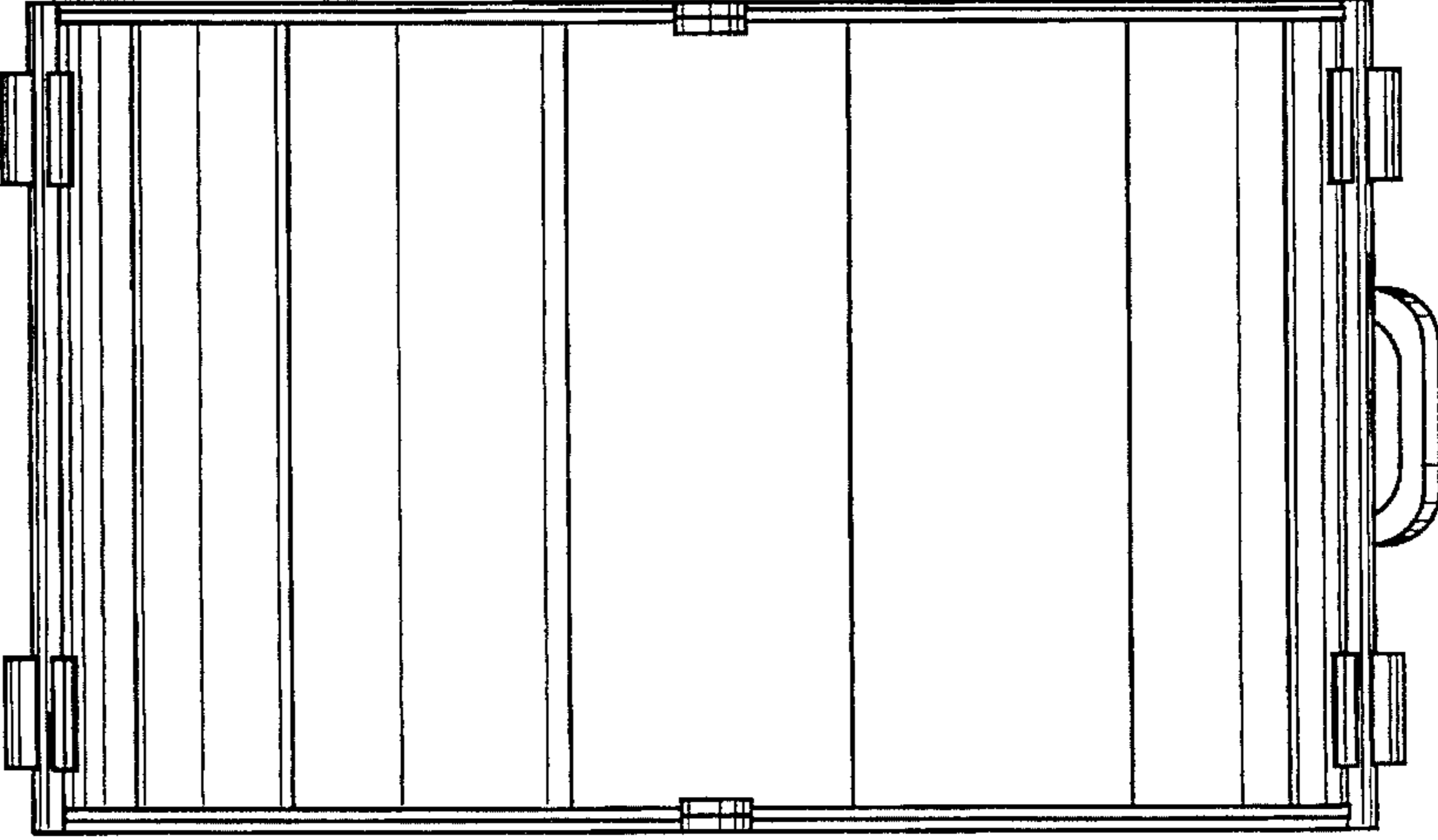


FIG. 7