



US00D367778S

United States Patent [19]

[11] Patent Number: **Des. 367,778**

Brunner et al.

[45] Date of Patent: ****Mar. 12, 1996**

[54] **DRESSER**

[75] Inventors: **Merlin A. Brunner**, Appleton; **Harvey J. Draheim**, Weyauwega, both of Wis.

[73] Assignee: **Simmons Juvenile Products Company, Inc.**, New London, Wis.

[**] Term: **14 Years**

[21] Appl. No.: **23,449**

[22] Filed: **May 25, 1994**

[52] U.S. Cl. **D6/445**

[58] Field of Search **D6/396, 432-448**

[56] **References Cited**

U.S. PATENT DOCUMENTS

- D. 235,705 7/1975 Pierson D6/446 X
- D. 340,153 10/1993 Keller D6/445 X

OTHER PUBLICATIONS

- Simmons Juvenile Products Company, Inc. 1990 Catalog page: Wardrobe 5205.
- "Ethan Allen Treasury", Jun. 1994, p. 210, Item No. 7.
- "Pennsylvania House" Catalog, Jun. 1994, p. 131, Item No. 32-2301.
- "Pennsylvania House" Catalog, Jun. 1994, p. 126, Item No. 32-1503.
- "Sturbridge Yankee Workshop", Spring 1993, p. 30, Chest.
- "Yield House", Holiday 1991, p. 39, Item J. Chest.

"Sterlingworth Corporation, Sterling House Collections", Mar. 1973, Item 5054, Chest.

"Woodies Directions" Circular, Mar. 1994, p. 30, Item No. C.

"Mastercraft Interiors", p. 24, Armoire.

Primary Examiner—Alan P. Douglas

Assistant Examiner—Cathron B. Matta

Attorney, Agent, or Firm—Hoffmann & Baron

[57] **CLAIM**

The ornamental design for a dresser, as shown and described.

DESCRIPTION

FIG. 1 is a front perspective view of a dresser showing our new design;

FIG. 2 is a top plan view thereof;

FIG. 3 is a front elevation view thereof;

FIG. 4 is a side elevation view thereof, the opposite side being a mirror image thereof;

FIG. 5 is a rear elevation view thereof;

FIG. 6 is a bottom plan view thereof;

FIG. 7 is an enlarged sectional view taken along line 7—7 of FIG. 3;

FIG. 8 is an enlarged sectional view taken along line 8—8 of FIG. 3; and,

FIG. 9 is an enlarged sectional view taken along line 9—9 of FIG. 3.

1 Claim, 5 Drawing Sheets

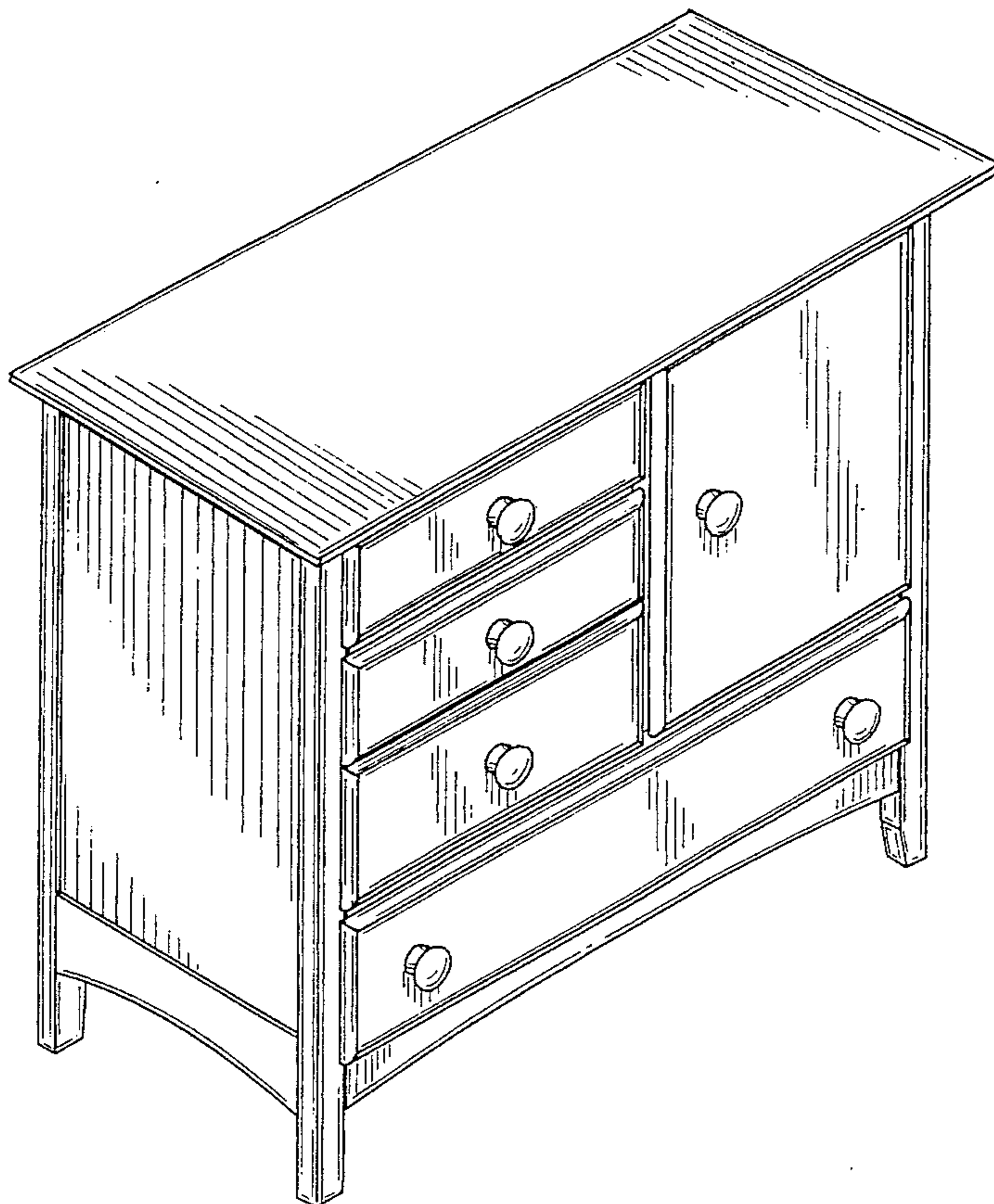


FIG-1



FIG-2

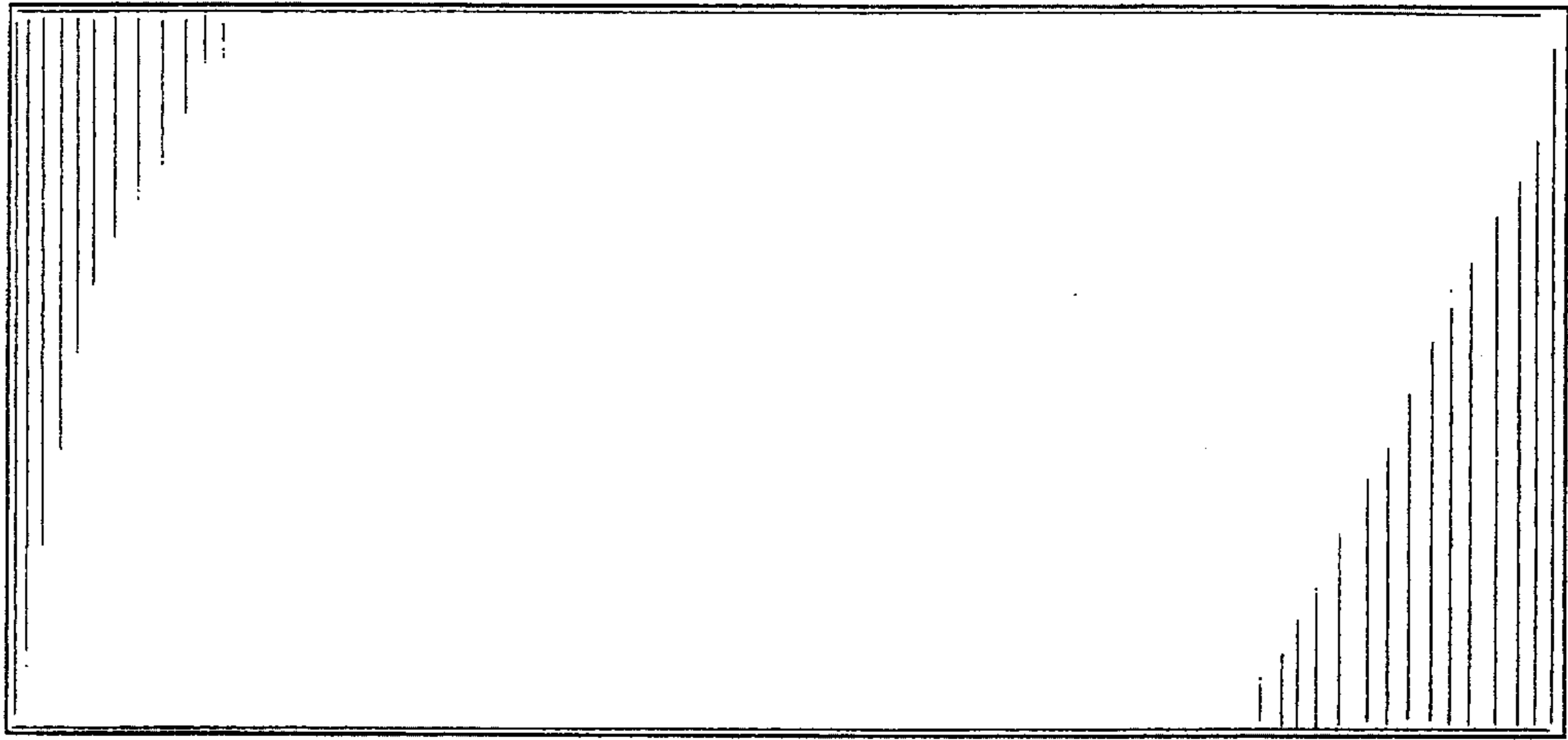


FIG-3

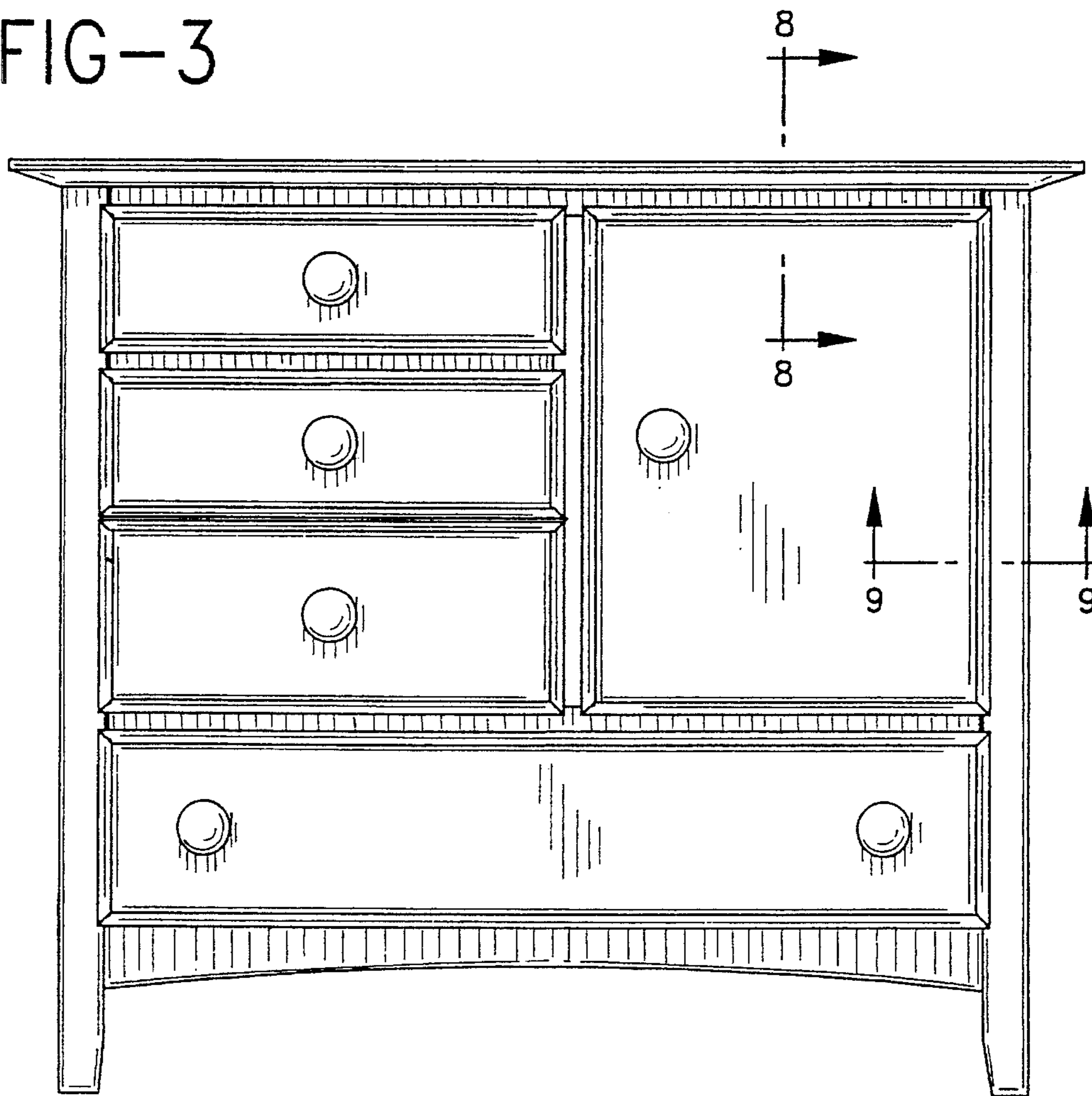


FIG-4

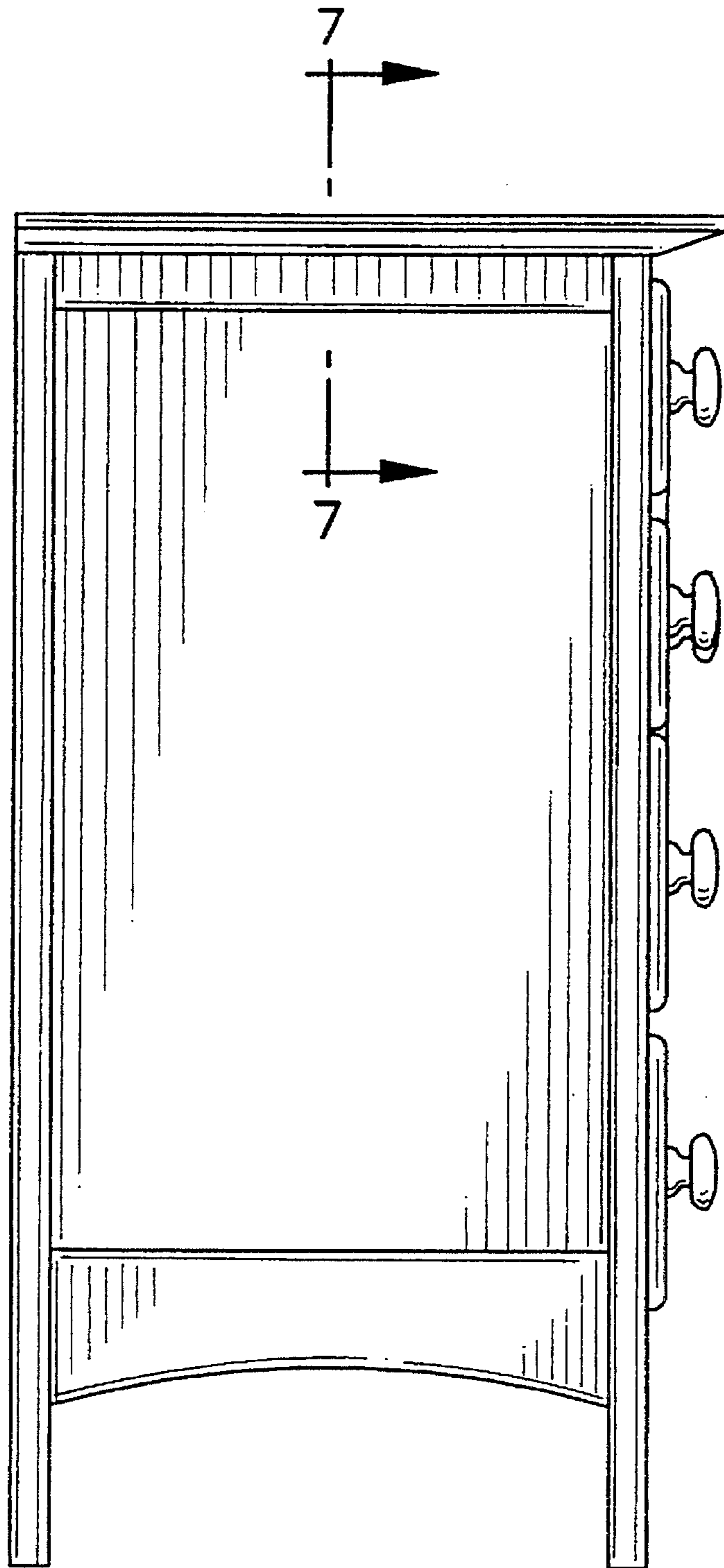


FIG-5

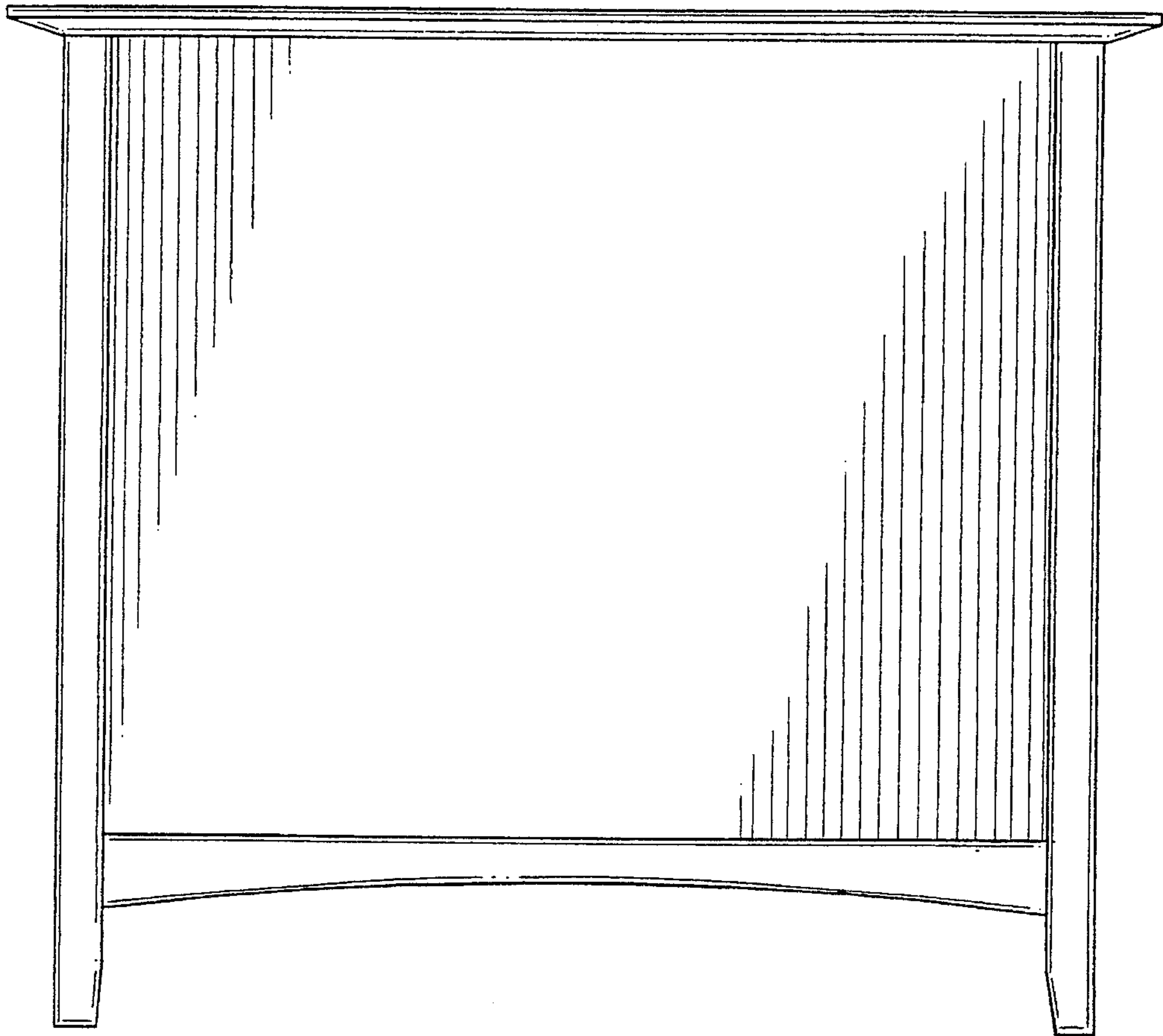


FIG-6

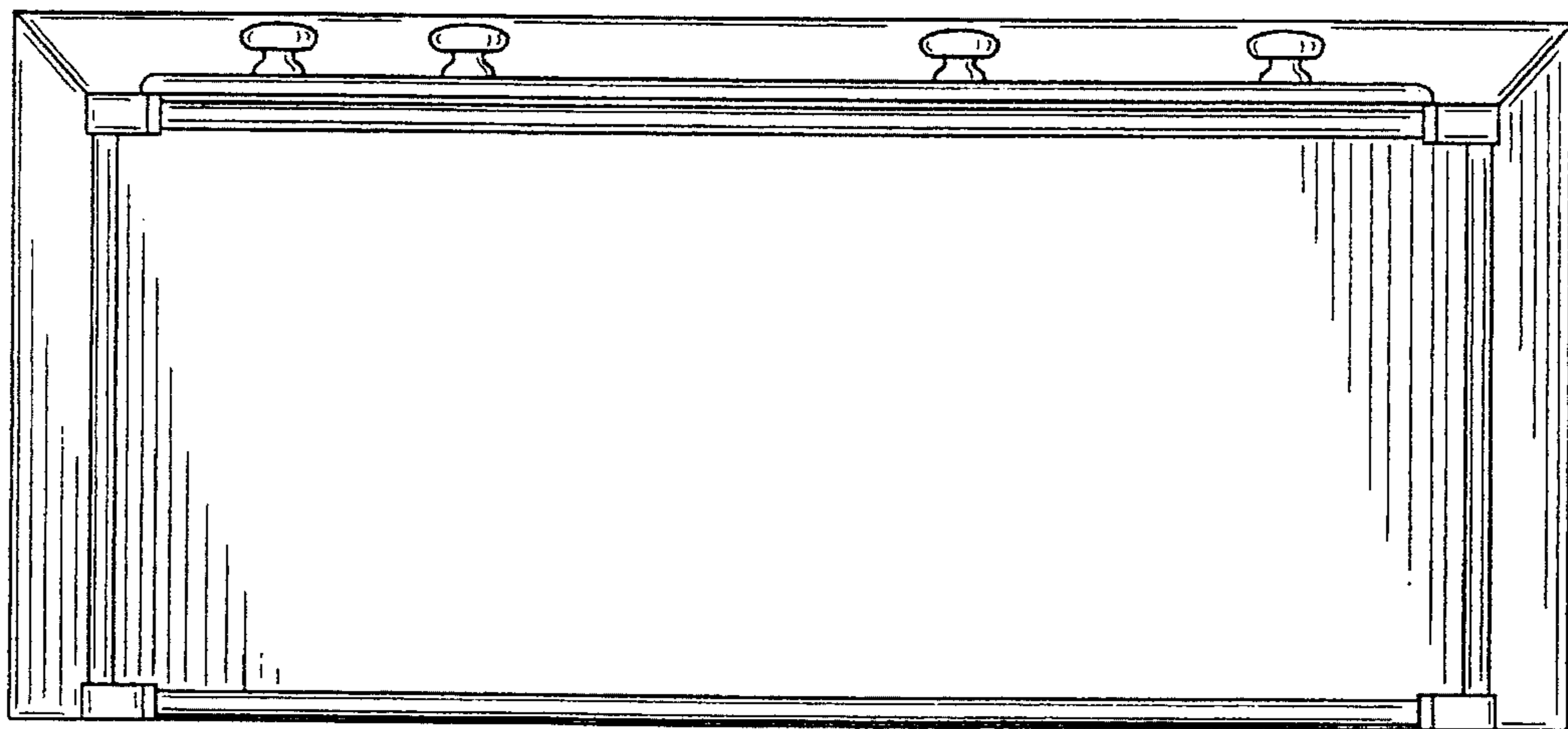


FIG-7

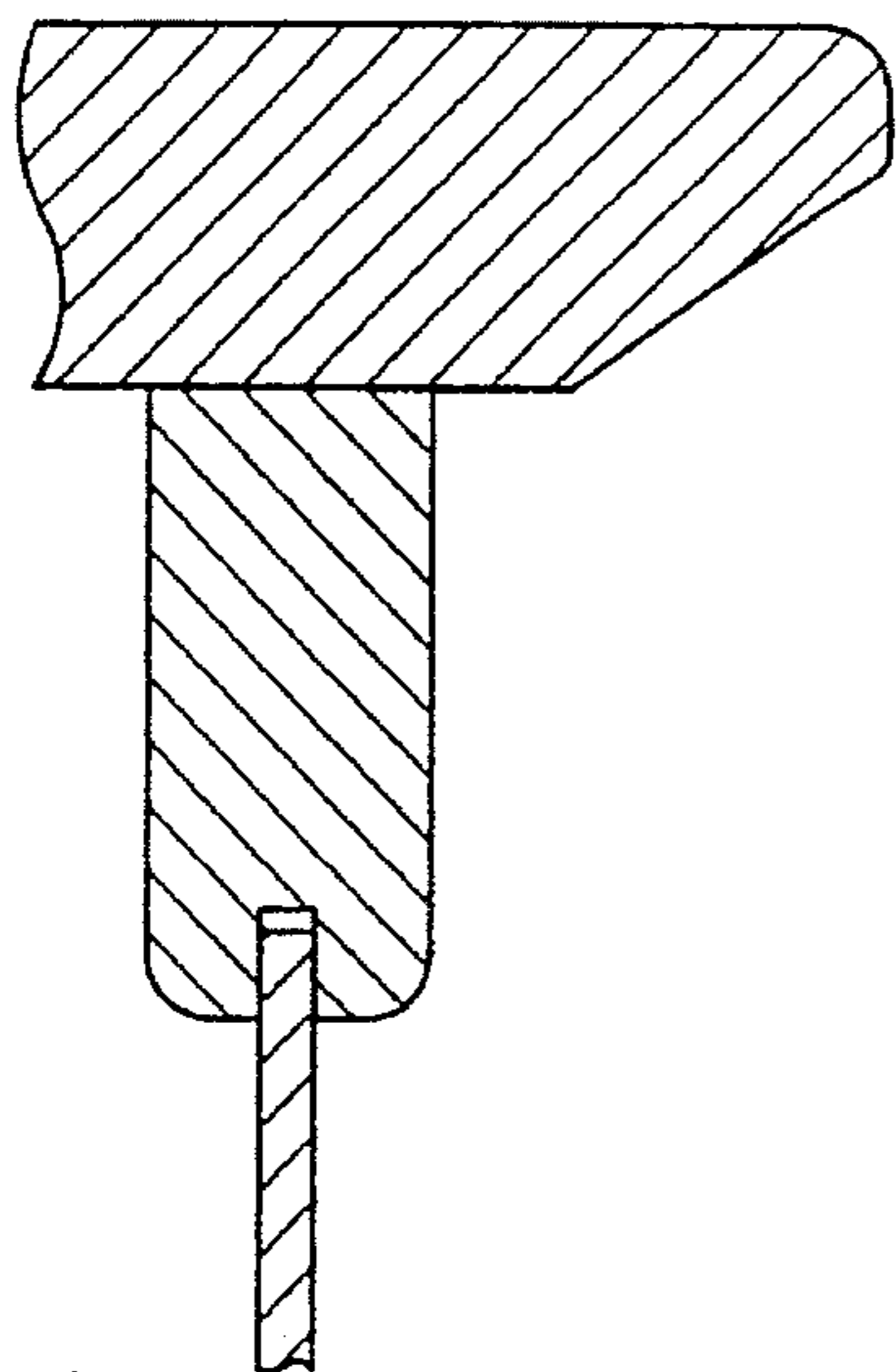


FIG-8

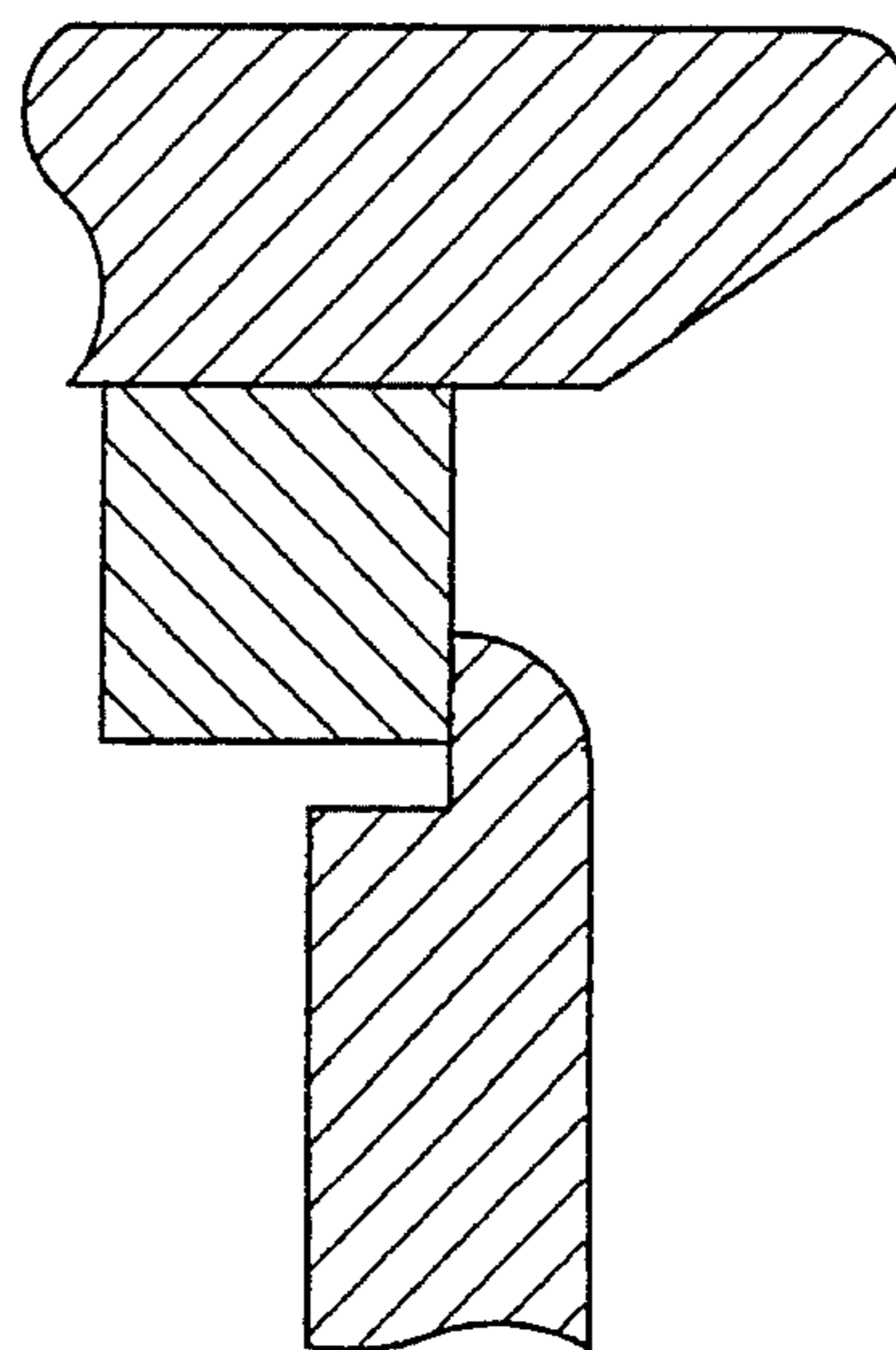


FIG-9

