



US00D367777S

United States Patent [19]

Arnone

[11] Patent Number: Des. 367,777

[45] Date of Patent: **Mar. 12, 1996

[54] STORAGE AND DISPLAY CART

2,072,700 3/1937 Bales 312/140.1
3,169,810 2/1965 Levy et al. 312/140.1

[76] Inventor: Louis F. Arnone, 9 Pleasantview Dr.,
Novato, Calif. 94947

Primary Examiner—Alan P. Douglas
Assistant Examiner—Cathron B. Matta
Attorney, Agent, or Firm—Limbach & Limbach

[**] Term: 14 Years

[21] Appl. No.: 14,673

[57] CLAIM

[22] Filed: Oct. 27, 1993

The ornamental design for a storage and display cart, as shown and described.

[52] U.S. Cl. D6/436; D6/437

[58] Field of Search D6/396, 397, 432-448,
D6/481; 312/140.1, 140.3

DESCRIPTION

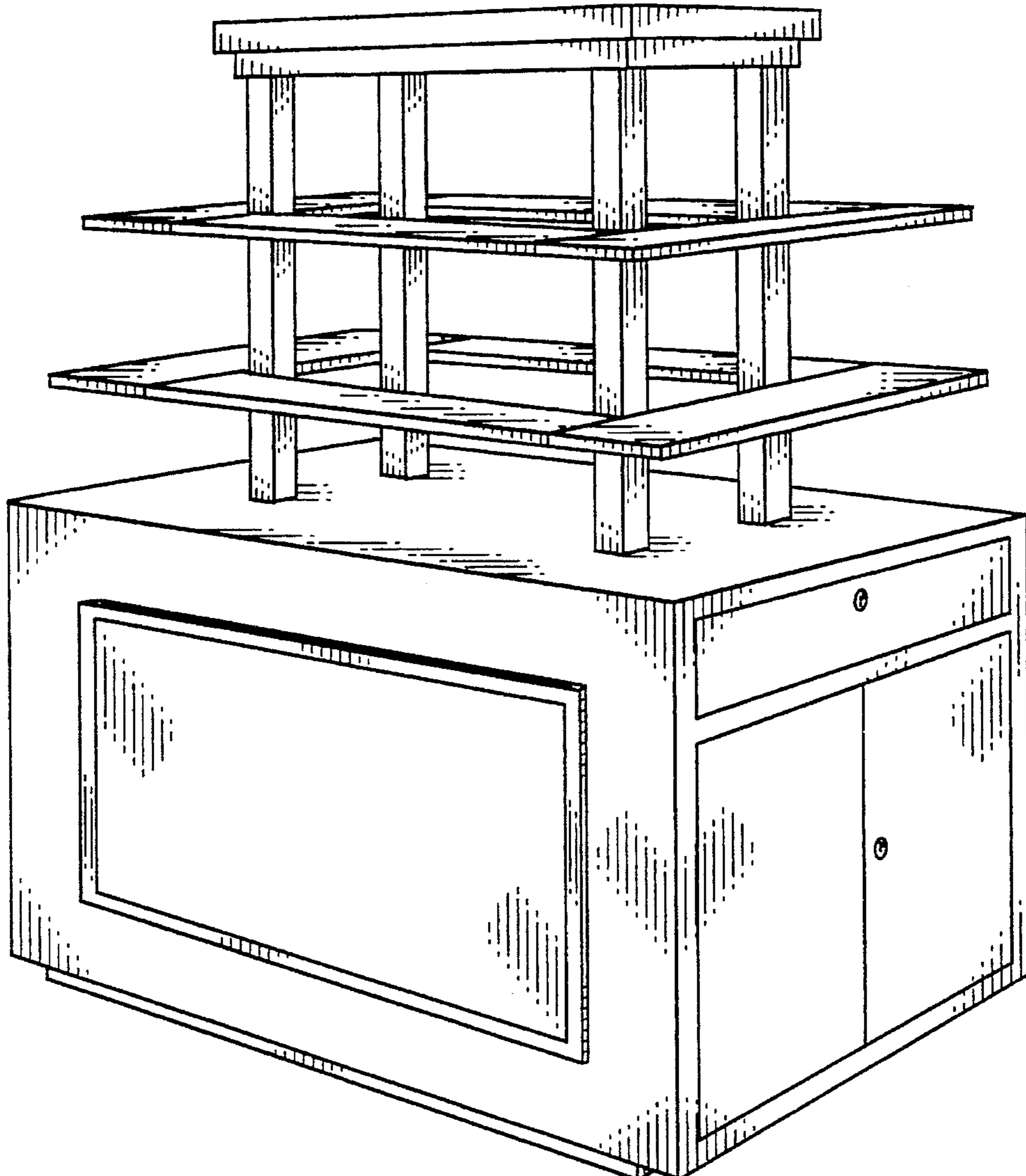
[56] References Cited

U.S. PATENT DOCUMENTS

D. 140,249	2/1945	Christopher	D6/437
D. 211,616	7/1968	Leath	D6/436
D. 212,399	10/1968	Kimler	D6/437
1,644,289	10/1927	Timpson	312/114 X
1,885,092	10/1932	Fellerman	312/140.1

FIG. 1 is a perspective view of a storage and display cart showing our new design;
FIG. 2 is a top plan view thereof;
FIG. 3 is a front elevational view thereof;
FIG. 4 is a side elevational view thereof, showing a first side;
FIG. 5 is a rear elevational view thereof; and,
FIG. 6 is a side elevational view thereof.

1 Claim, 6 Drawing Sheets



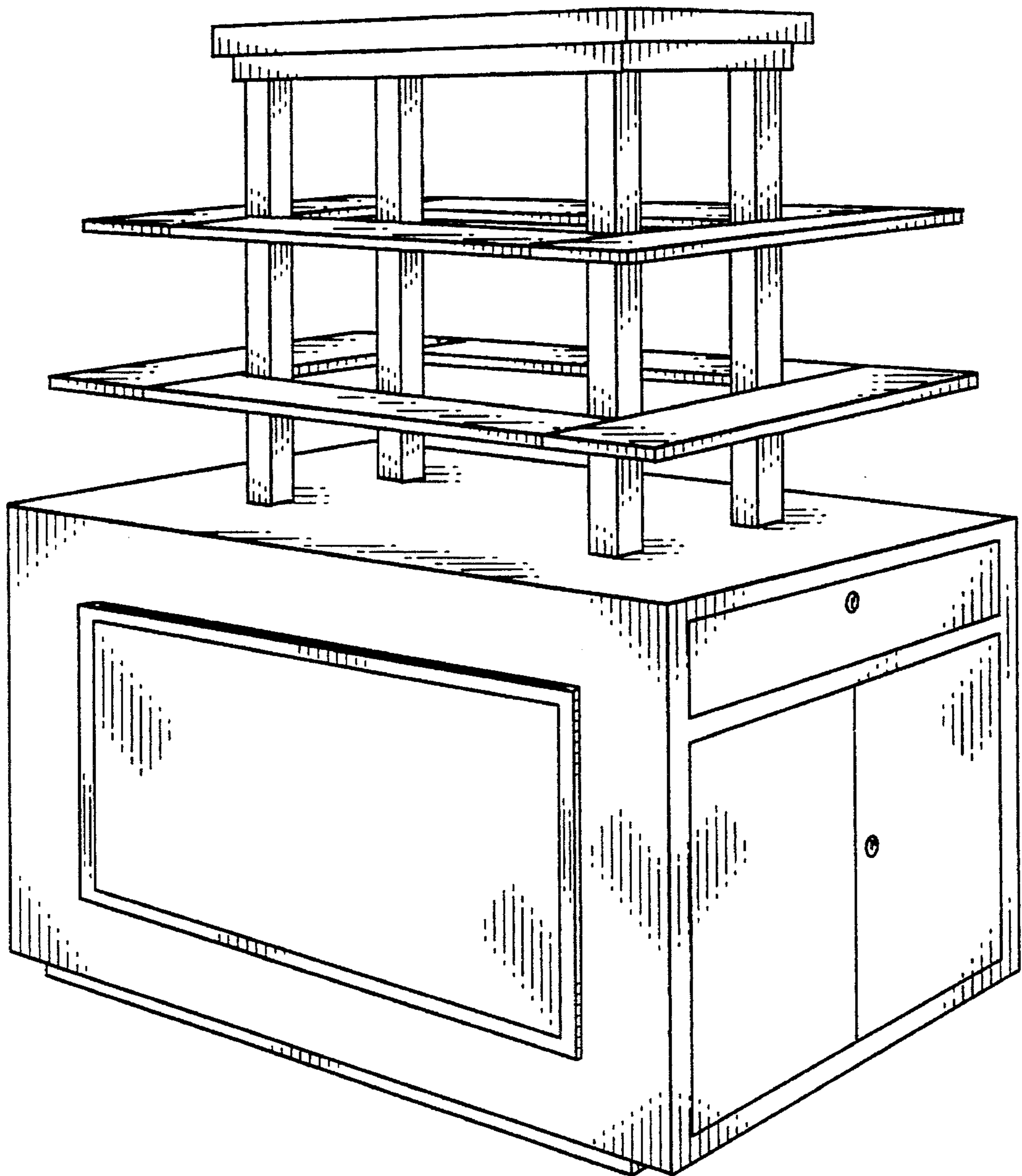


FIG. 1

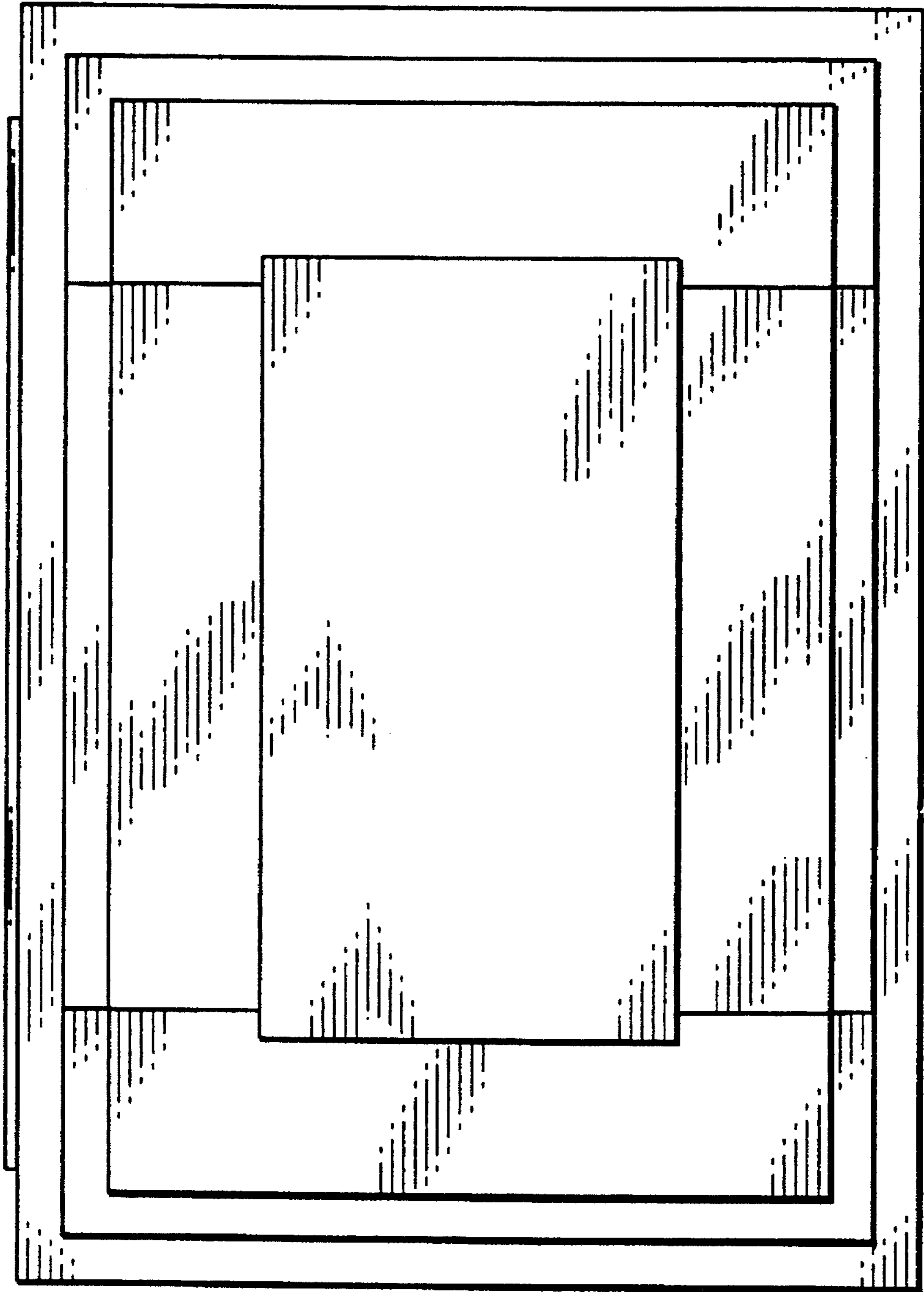


FIG. 2

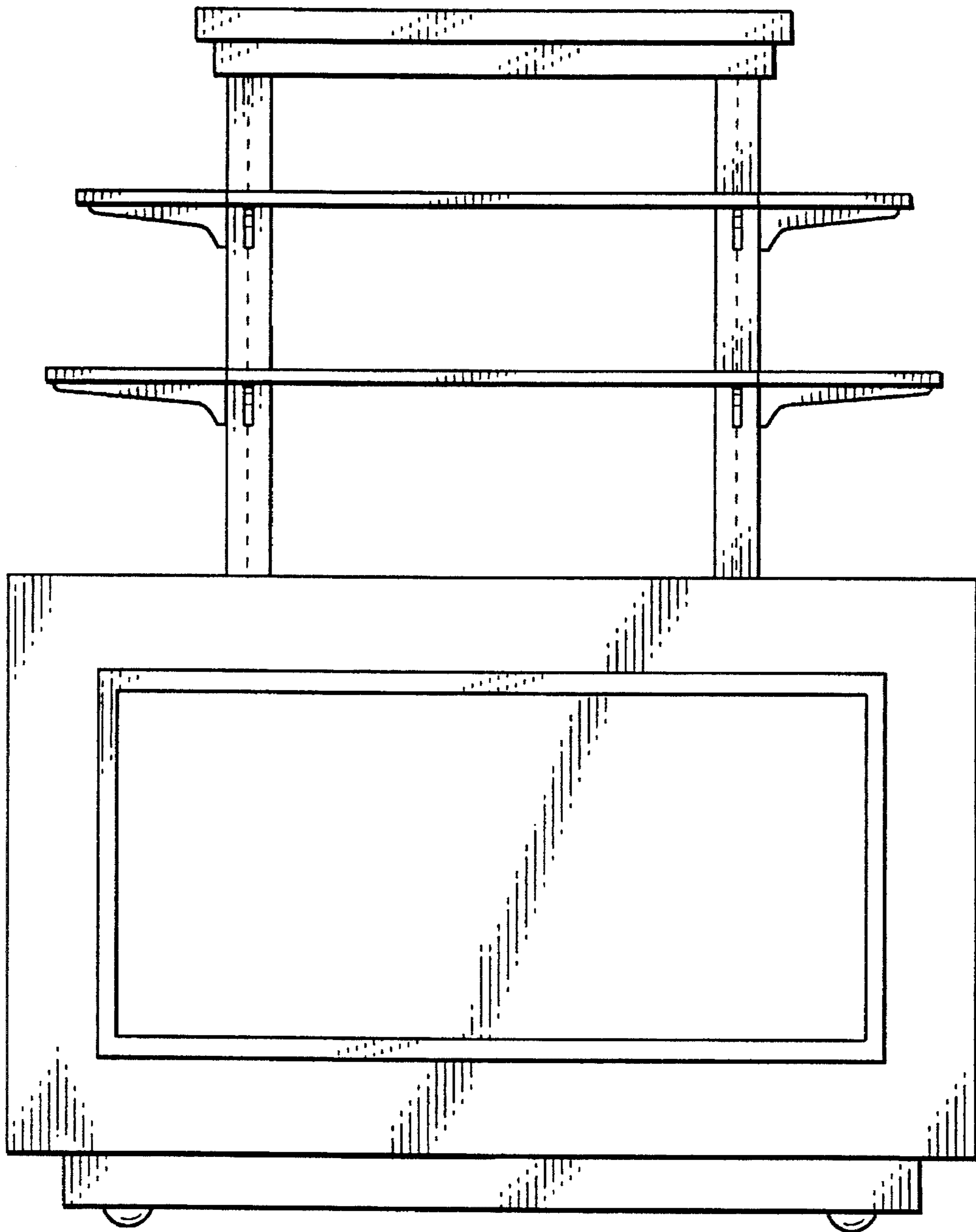


FIG. 3

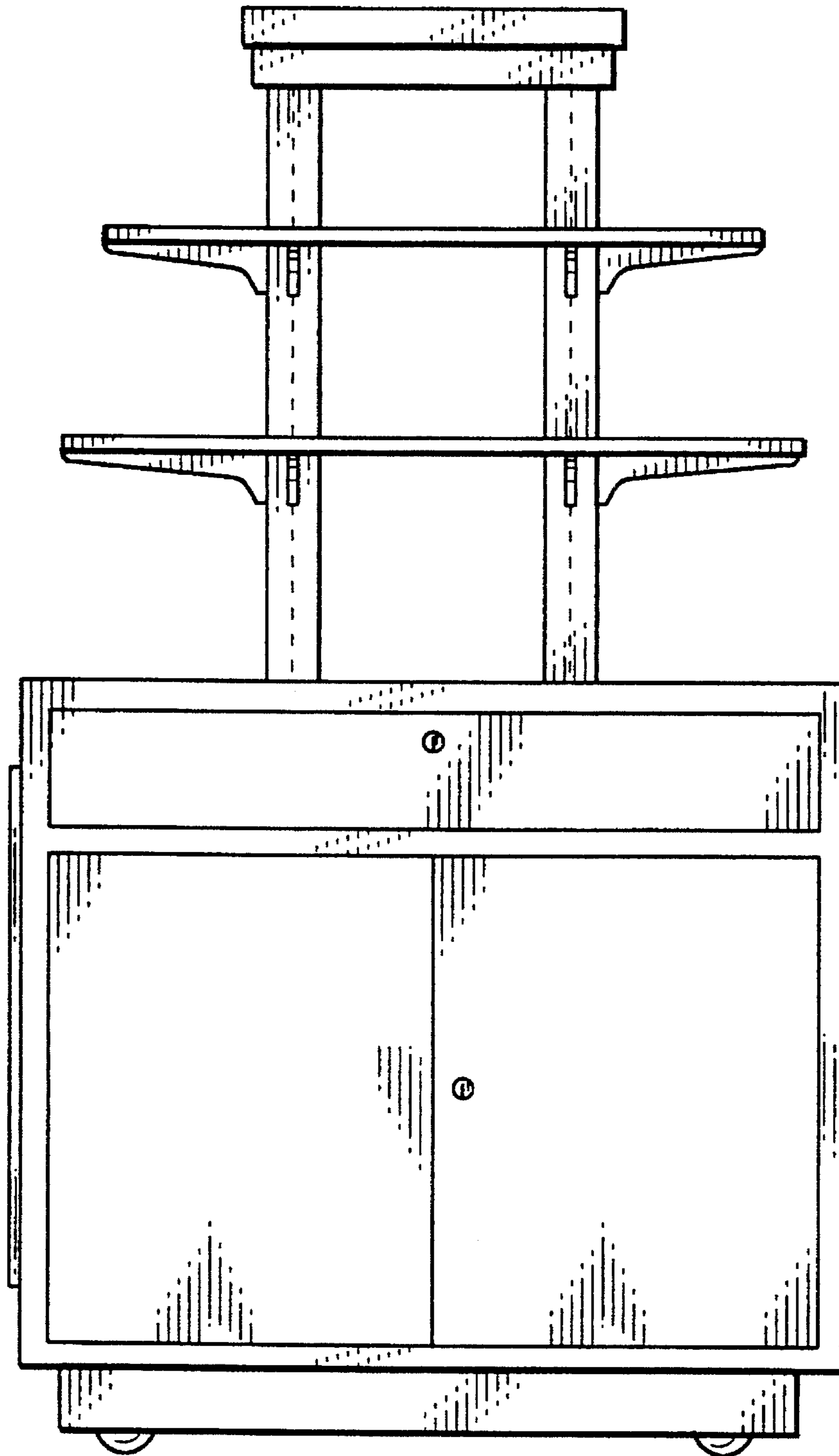


FIG. 4

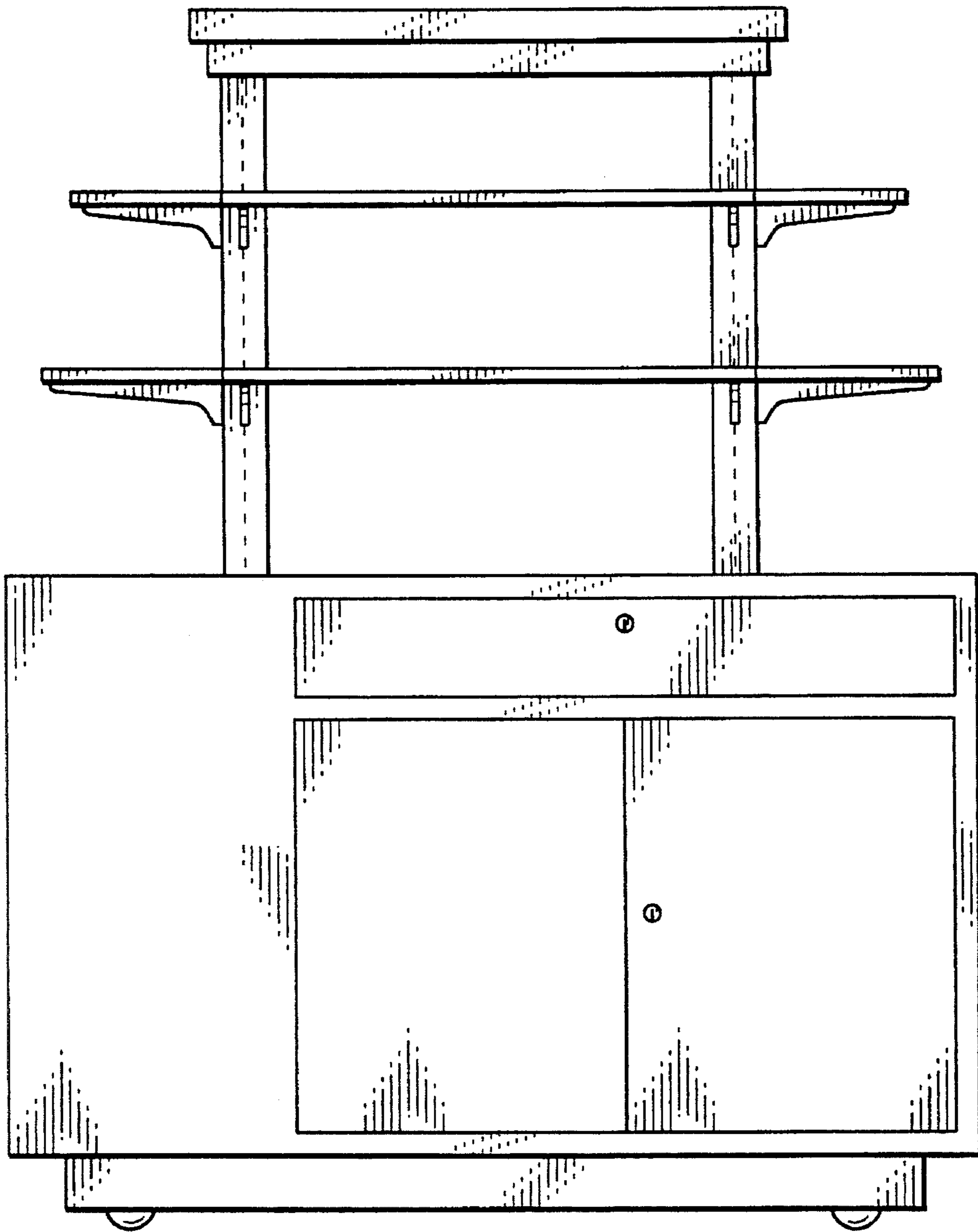


FIG. 5

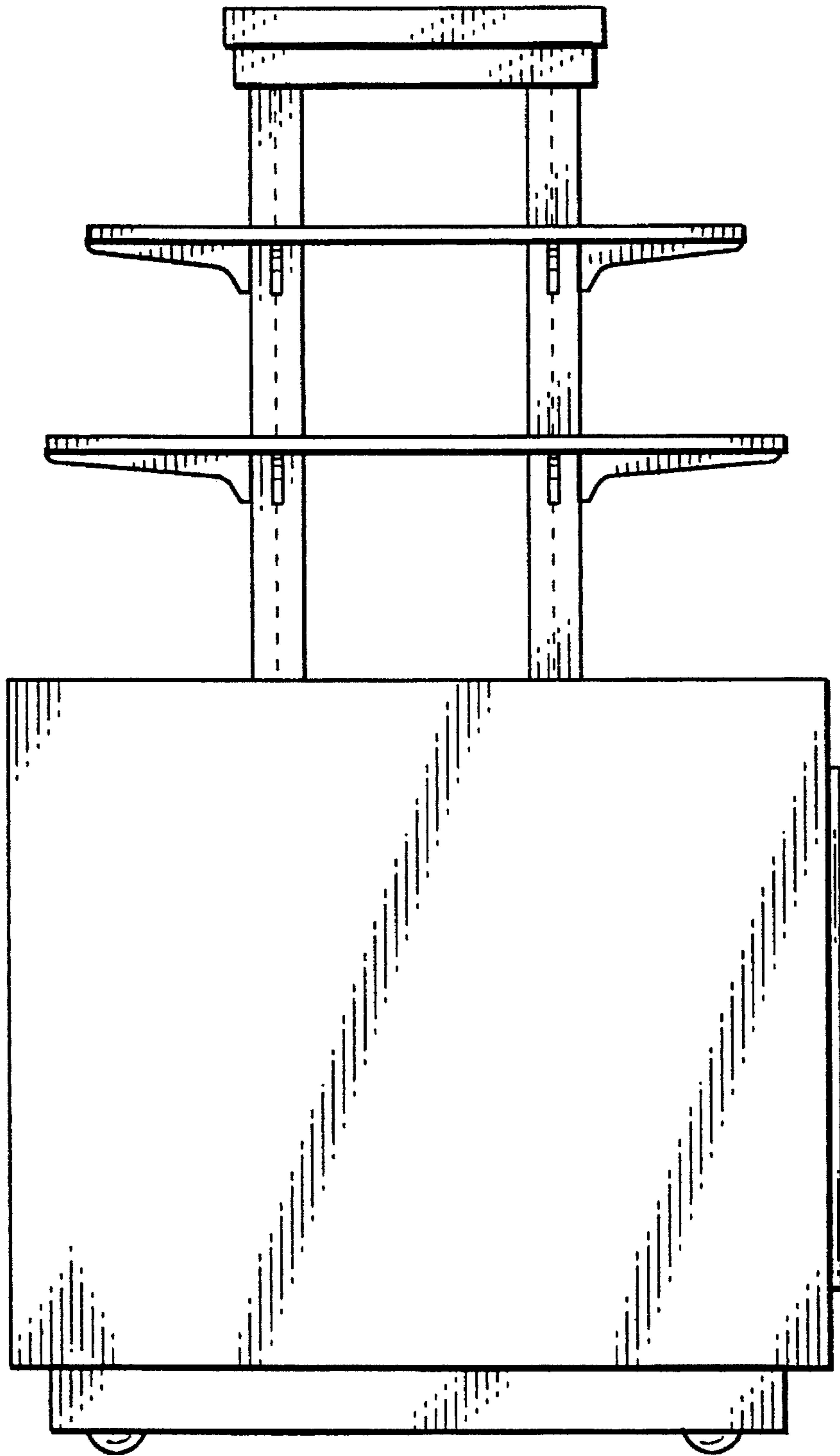


FIG. 6