



US00D367772S

# United States Patent [19]

[11] Patent Number: **Des. 367,772**

Stirling et al.

[45] Date of Patent: **\*\*Mar. 12, 1996**

- [54] **COMBINED TABLE AND SEATING UNIT**
- [75] Inventors: **Michael F. Stirling; Michael J. Katje,**  
both of Spring Lake, Mich.
- [73] Assignee: **Brunswick Bowling & Billiards**  
**Corporation, Muskegon, Mich.**
- [\*\*] Term: **14 Years**
- [21] Appl. No.: **33,142**
- [22] Filed: **Jan. 5, 1995**
- [52] U.S. Cl. .... **D6/337**
- [58] Field of Search ..... D6/336-338; 297/157.1,  
297/158.1, 158.2, 158.3, 158.4, 158.5, 159.1

- D. 348,569 7/1994 Haussmann ..... D6/338
- 681,394 8/1901 Hile .
- 1,182,850 5/1916 Little .
- 2,845,110 7/1958 Grawl ..... 297/157.1 X
- 3,411,823 11/1968 Bue ..... 297/349
- 3,419,305 12/1968 Baran ..... 297/157
- 3,486,790 12/1969 Barecki et al. .... 297/142
- 3,535,000 10/1970 Protzmann ..... 297/142
- 3,549,200 12/1970 Cooper ..... 297/157
- 3,574,395 4/1971 Pongracz ..... 297/158
- 3,596,985 8/1971 Degagne ..... 297/157
- 3,709,555 1/1973 Ostertag ..... 297/142
- 4,023,859 5/1977 Hagenson ..... 297/157.1 X
- 4,092,042 5/1978 Cusenbary ..... 297/157
- 4,216,993 8/1980 Shumaker ..... 297/157
- 4,653,803 3/1987 Crowe ..... 297/158

### OTHER PUBLICATIONS

Foodservice Equipment Dealer, Sep. 1969, p. 31, table at lower and center.

*Primary Examiner*—Janice E. Seeger

*Attorney, Agent, or Firm*—Price, Heneveld, Cooper, DeWitt & Litton

### [56] References Cited

#### U.S. PATENT DOCUMENTS

- D. 62,150 3/1923 Staudohar .
- D. 194,038 11/1962 Preston ..... 33/14
- D. 194,468 1/1963 Goodman ..... 33/14
- D. 194,469 1/1963 Goodman ..... 33/14
- D. 206,998 2/1967 Benjamin ..... 13/1
- D. 209,841 1/1968 Bue et al. .... 33/11
- D. 228,162 8/1973 Fink ..... D6/45
- D. 236,402 8/1975 Rheda ..... D6/177
- D. 239,150 3/1976 Meade ..... D6/197
- D. 239,482 4/1976 Sparrow ..... D6/49
- D. 242,305 11/1976 Campbell et al. .... D6/45
- D. 242,306 11/1976 Campbell et al. .... D6/45
- D. 244,409 5/1977 Arnold ..... D6/45
- D. 250,151 11/1978 Pingel ..... D6/45
- D. 256,633 9/1980 Shumaker ..... D6/45
- D. 286,953 12/1986 Mayo ..... D6/337
- D. 310,451 9/1990 Webb ..... D6/337
- D. 323,074 1/1992 Michel ..... D6/337
- D. 327,179 6/1992 Ryaa ..... D6/337
- D. 335,037 4/1993 Montague, III et al. .... D6/364
- D. 346,071 4/1994 Sharar ..... D6/338
- D. 347,133 5/1994 Karl ..... D6/499

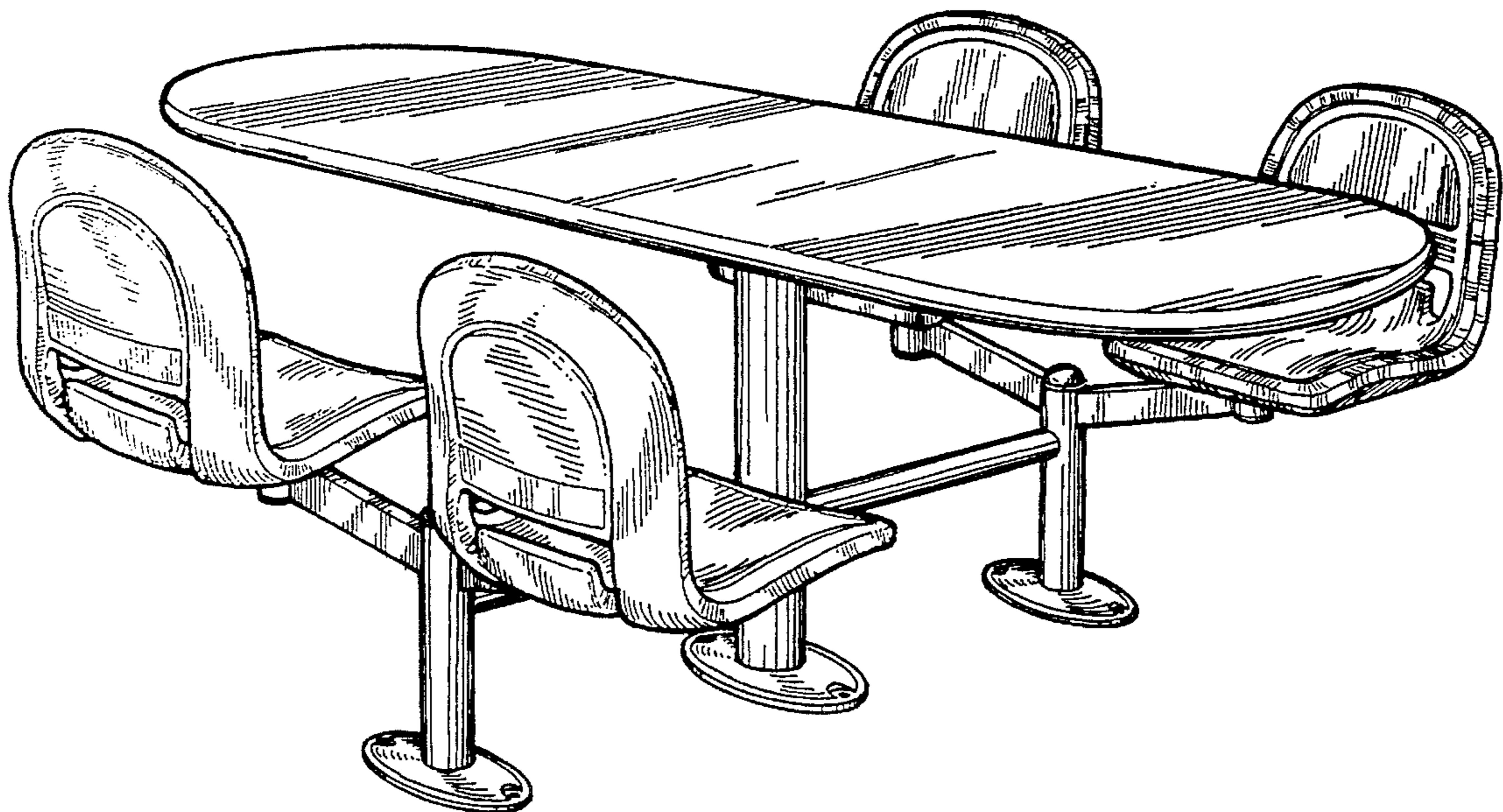
### [57] CLAIM

The ornamental design for combined table and seating unit, as shown and described.

### DESCRIPTION

FIG. 1 is a perspective view of a combined table and seating unit showing our new design;  
 FIG. 2 is a top plan view thereof;  
 FIG. 3 is a side elevational view thereof; and,  
 FIG. 4 is an end elevational view thereof.  
 The opposite side elevational view is a mirror image of FIG. 3.  
 The opposite end elevational view is a mirror image of FIG. 4.

1 Claim, 2 Drawing Sheets





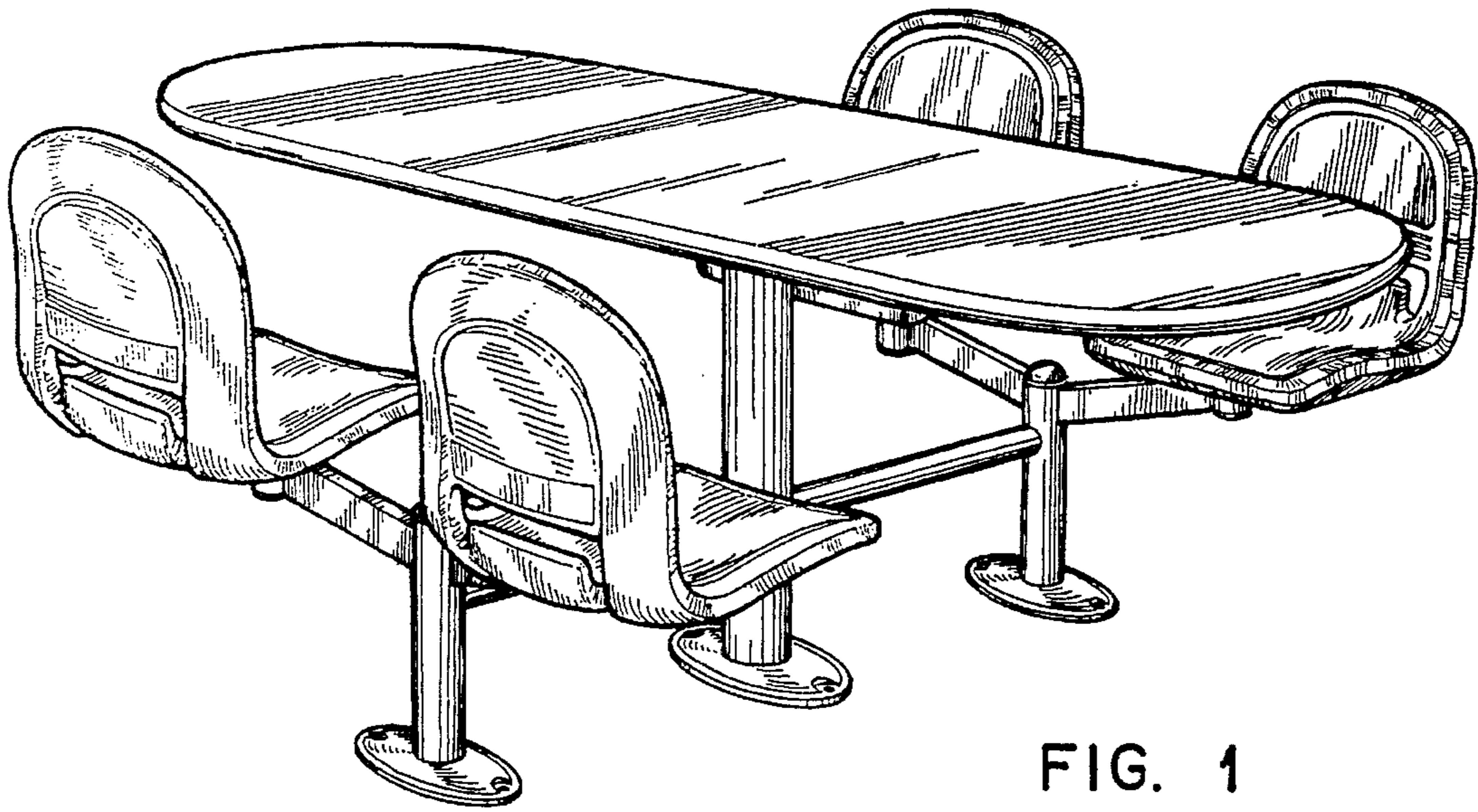


FIG. 1

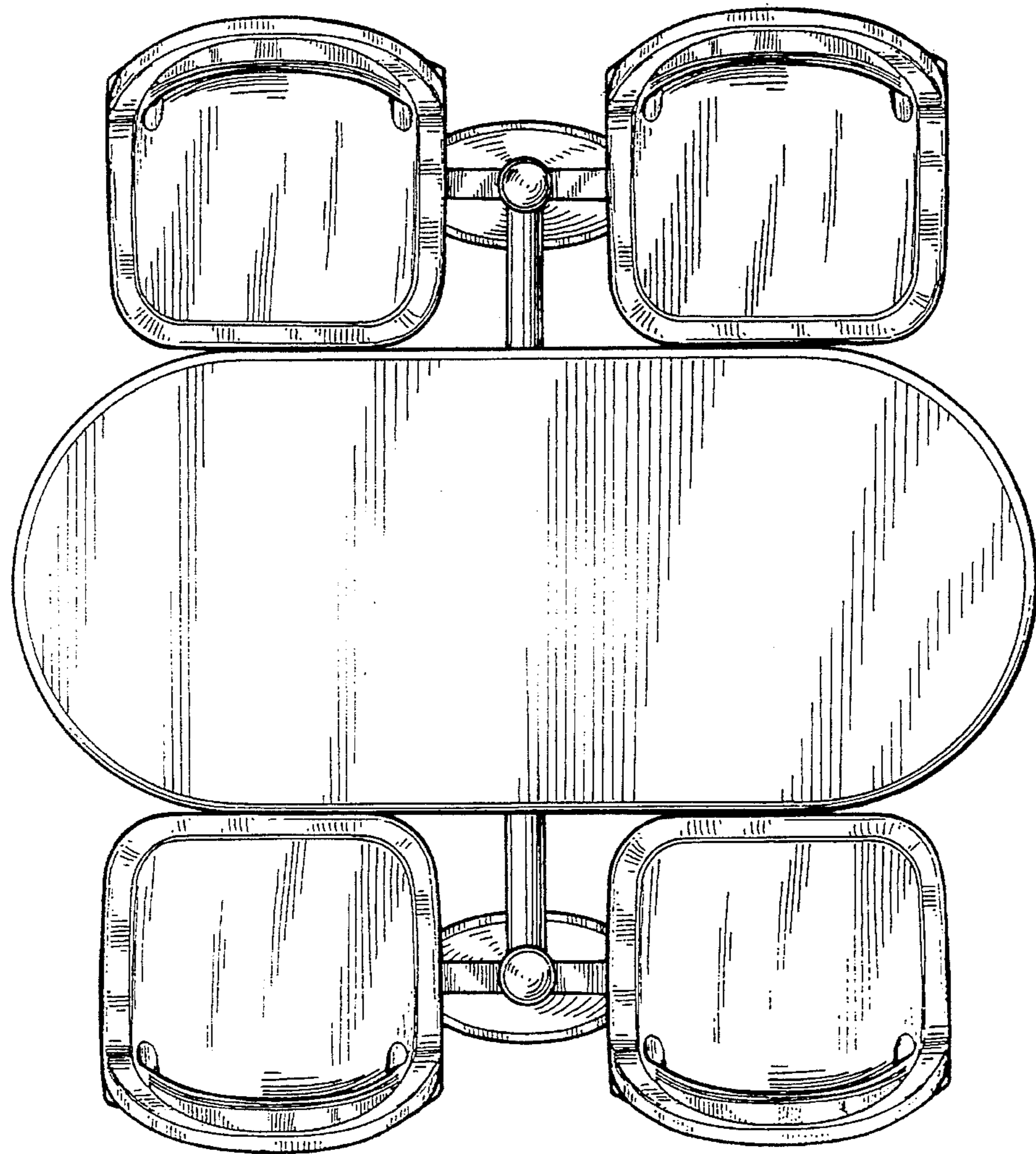


FIG. 2

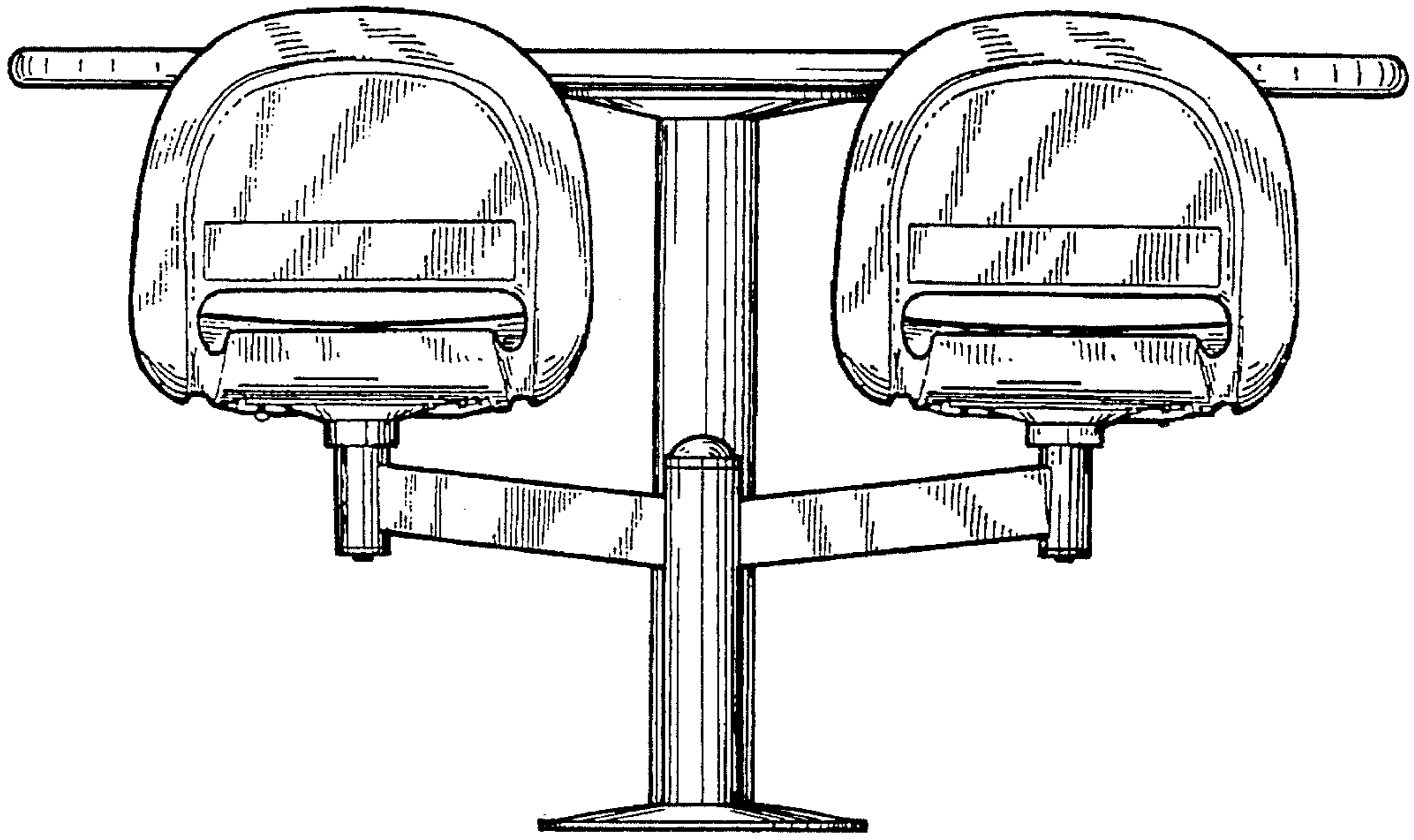


FIG. 3

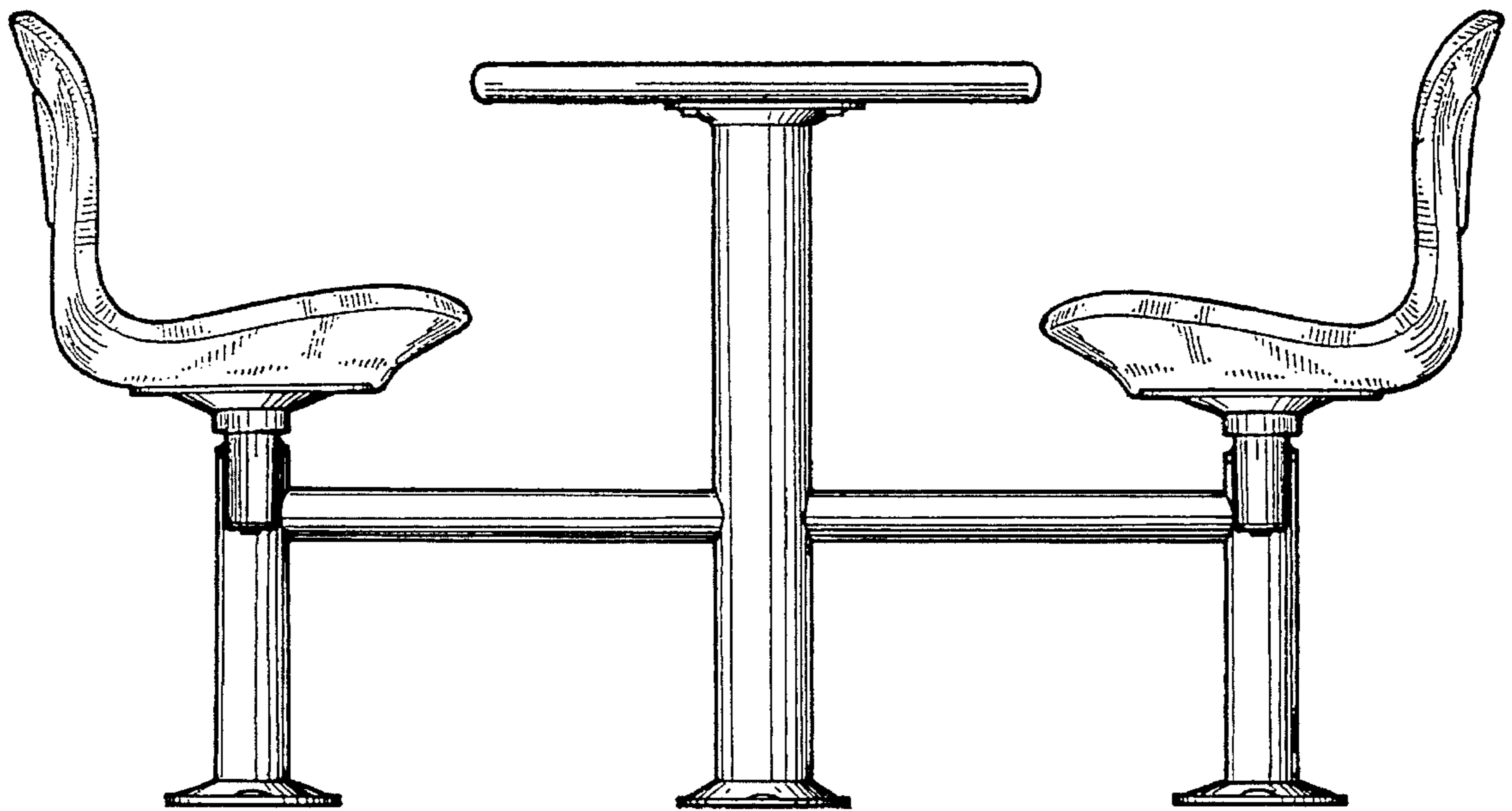


FIG. 4