



US00D367771S

United States Patent [19] Julian

[11] Patent Number: **Des. 367,771**

[45] Date of Patent: ****Mar. 12, 1996**

[54] **PORTABLE DIAPER CHANGING TABLE**

[76] Inventor: **John N. Julian**, 8806 N. Portsmouth Ave., Apt. LWR, Portland, Oreg. 97203

[**] Term: **14 Years**

[21] Appl. No.: **39,660**

[22] Filed: **Jun. 1, 1995**

[52] U.S. Cl. **D6/333**

[58] Field of Search D6/333, 331, 339,
D6/491; 5/98.1, 424, 655, 113, 93.1, 99.1;
297/256, 250.1, 252, 254

[56] **References Cited**

U.S. PATENT DOCUMENTS

2,865,433	12/1958	Warner	297/250.1	X
3,336,608	8/1967	Lerner	D6/333	X
4,133,063	1/1979	Jones-Steele	5/99.1	
4,198,718	4/1980	Ballard	5/99.1	X
4,291,915	9/1981	Cox	297/216.11	X
4,781,413	11/1988	Shumack, Jr.	297/252	
4,819,285	4/1989	Fetters	5/99.1	
4,885,812	12/1989	Lindner	5/113	
5,310,242	5/1994	Golder	297/256	X

Primary Examiner—Martie Thompson
Attorney, Agent, or Firm—Harold H. Dutton, Jr.

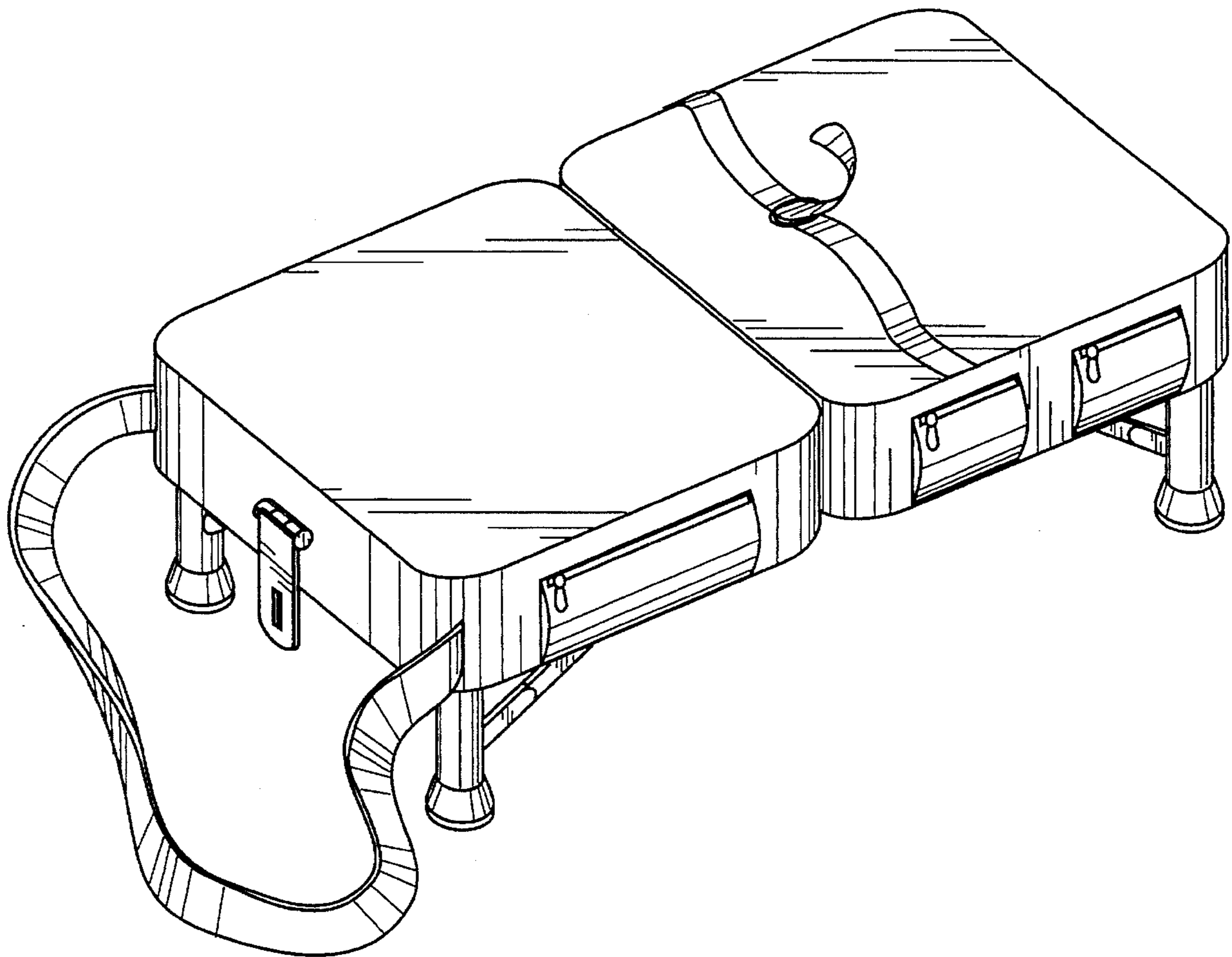
[57] **CLAIM**

The ornamental design for a portable diaper changing table, as shown and described.

DESCRIPTION

FIG. 1 is a perspective view of a portable diaper changing table in the open position showing my new design;
 FIG. 2 is a top view thereof;
 FIG. 3 is a bottom view thereof;
 FIG. 4 is a front edge view thereof;
 FIG. 5 is a rear edge view thereof;
 FIG. 6 is a left side view thereof;
 FIG. 7 is a right side view thereof;
 FIG. 8 is a front view in the collapsed condition;
 FIG. 9 is rear view thereof;
 FIG. 10 is a left side view thereof;
 FIG. 11 is a right side view thereof;
 FIG. 12 is a top view thereof; and,
 FIG. 13 is a bottom view thereof.

1 Claim, 7 Drawing Sheets



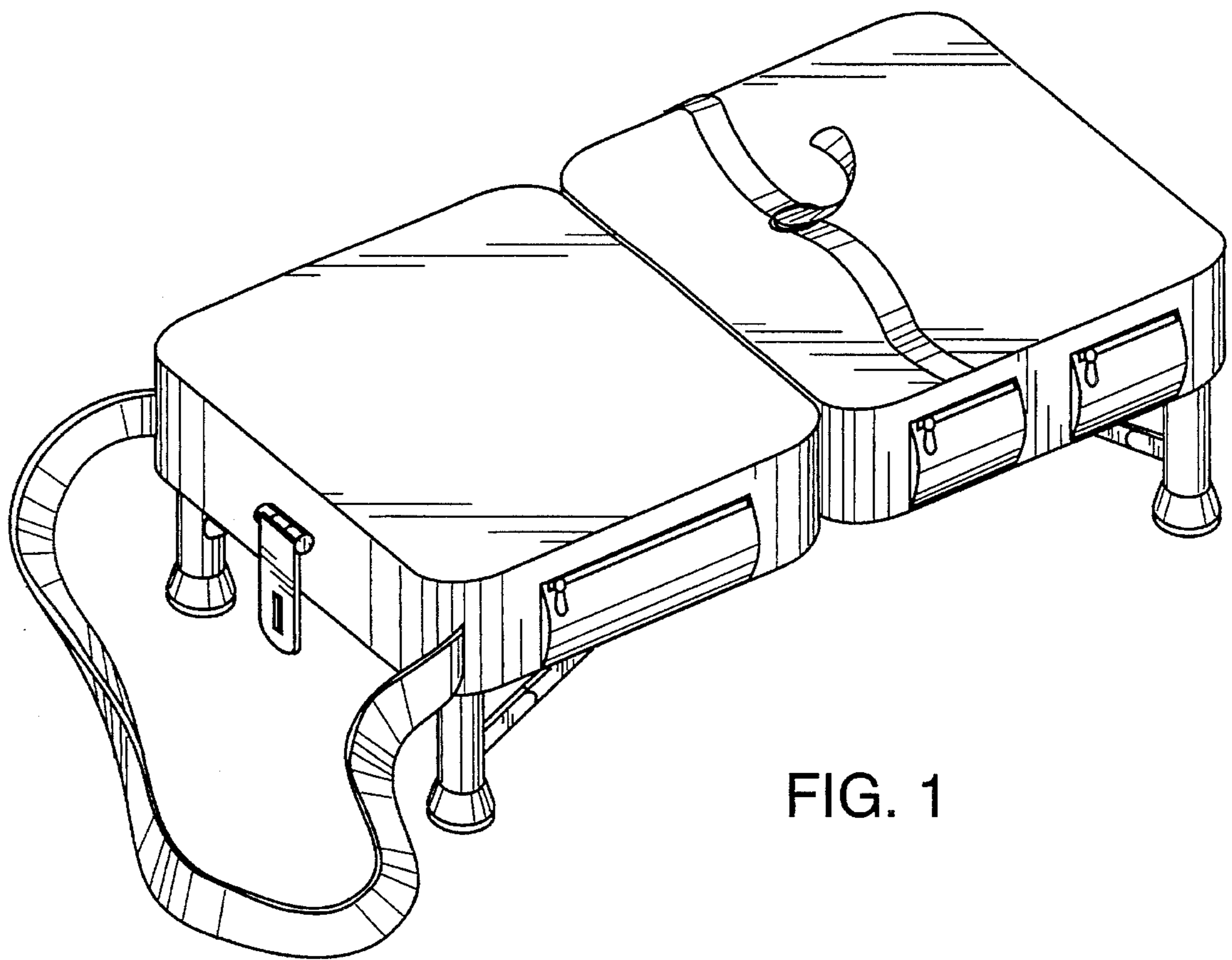


FIG. 1

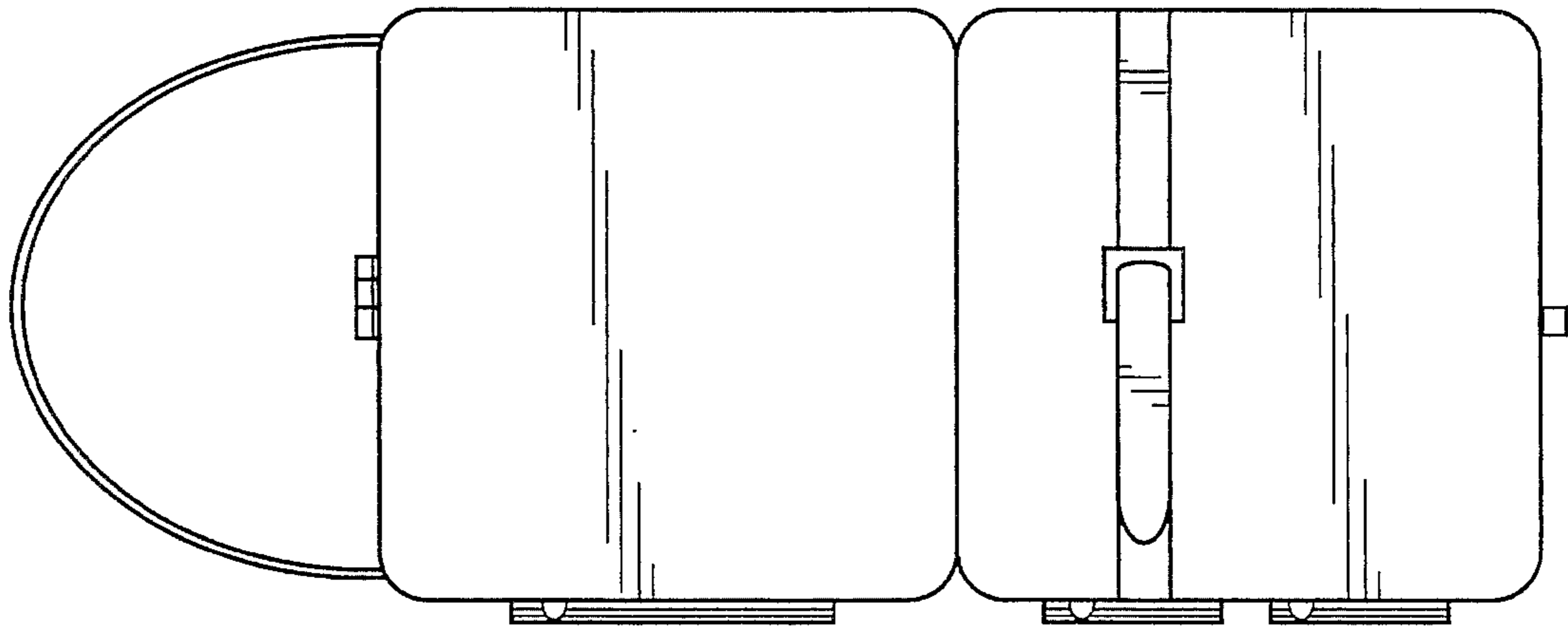


FIG. 2

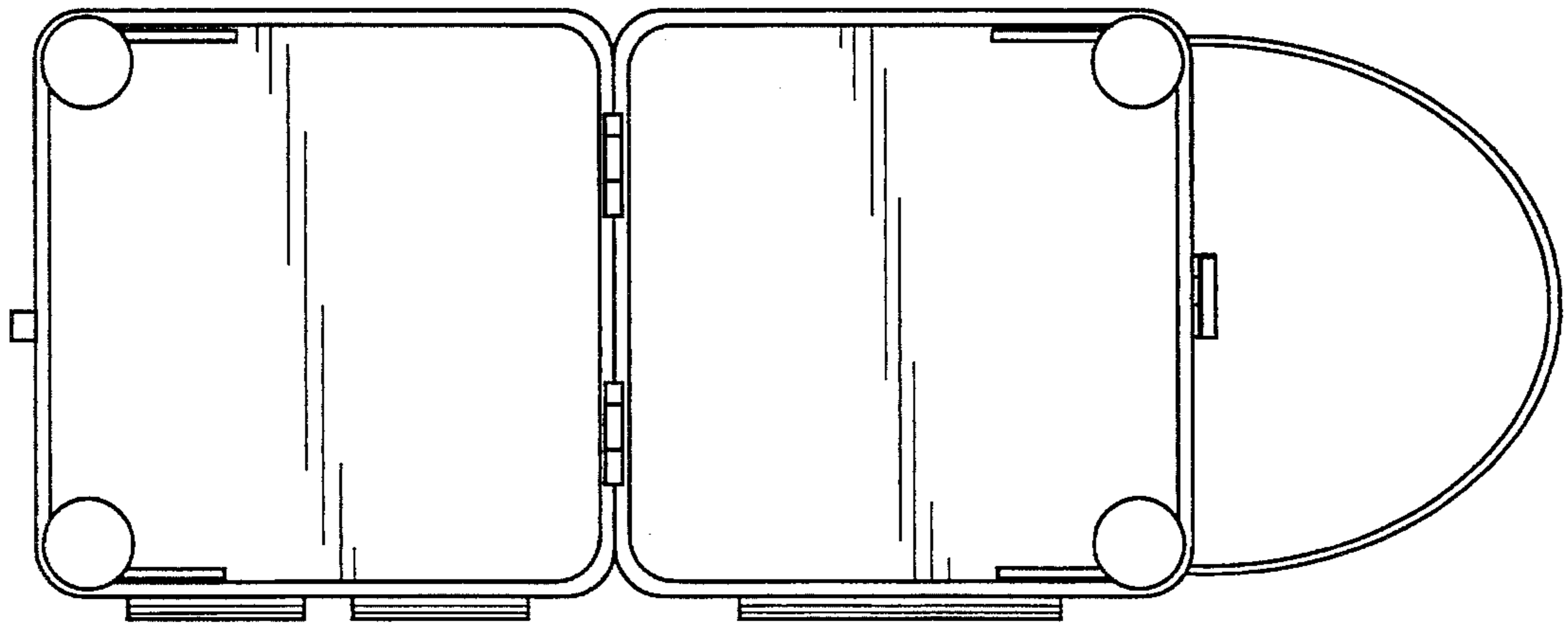


FIG. 3

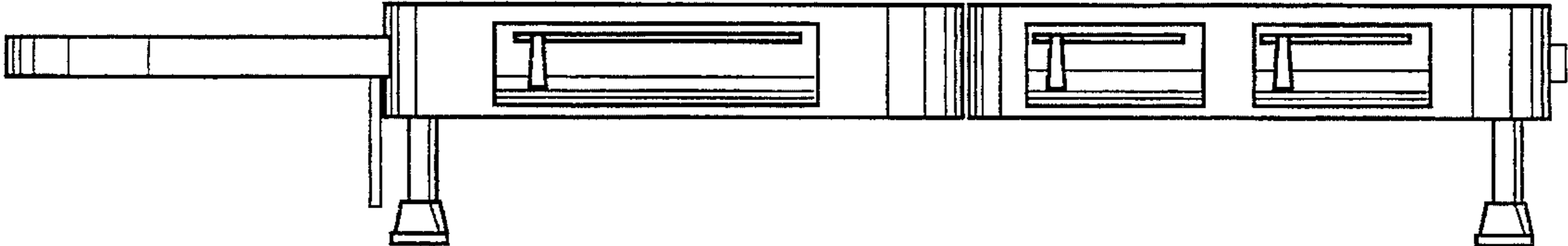


FIG. 4

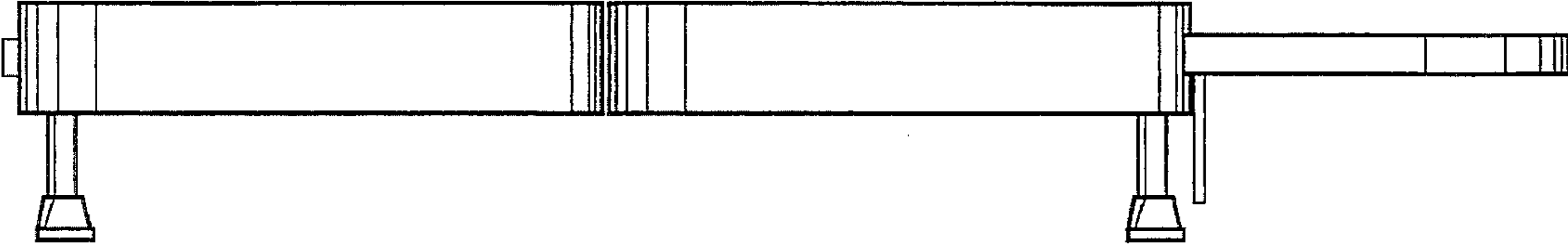


FIG. 5

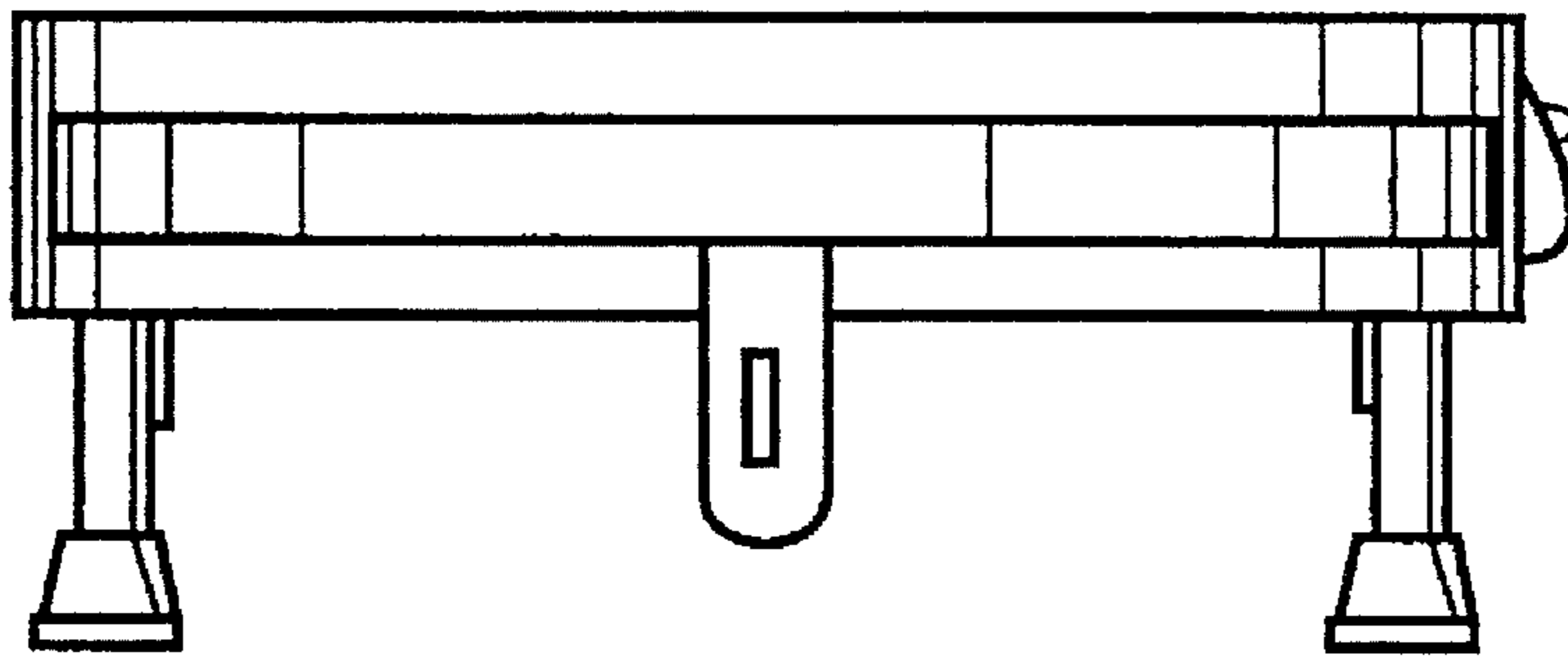


FIG. 6

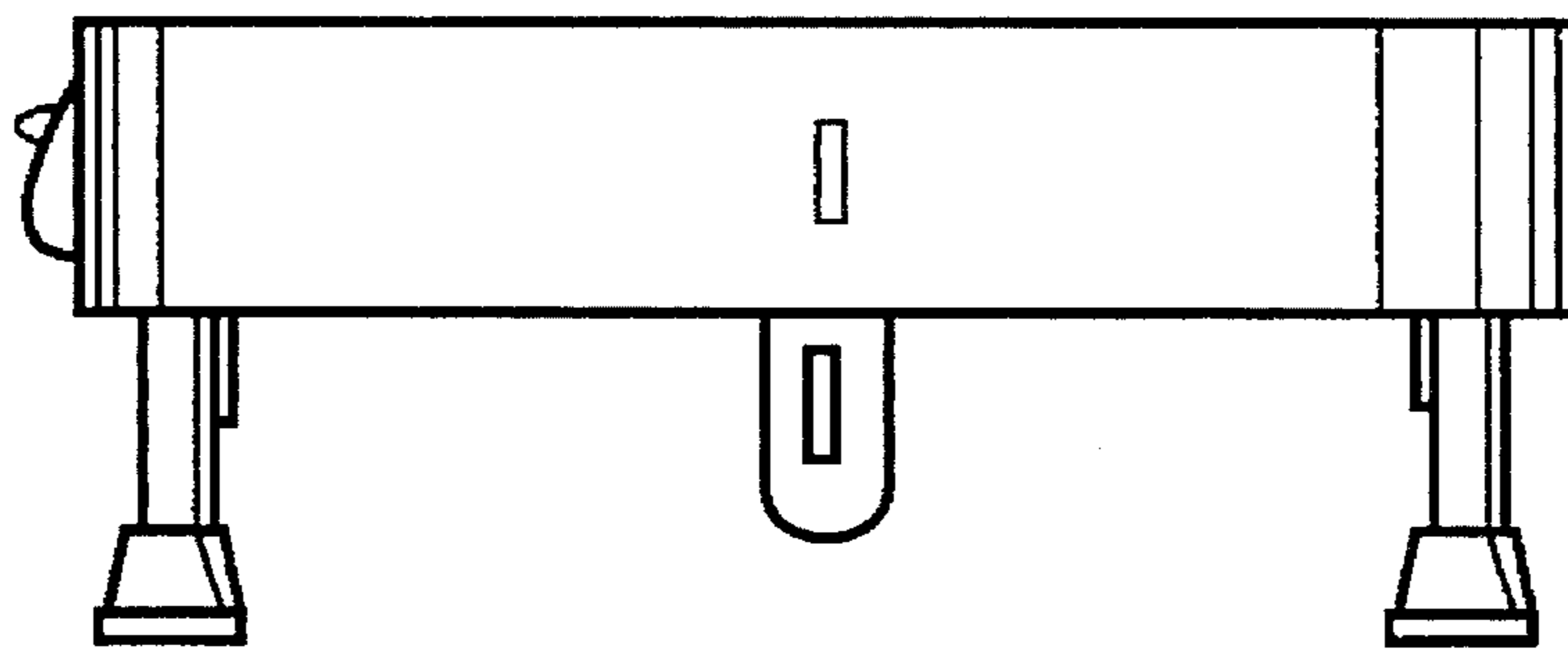


FIG. 7

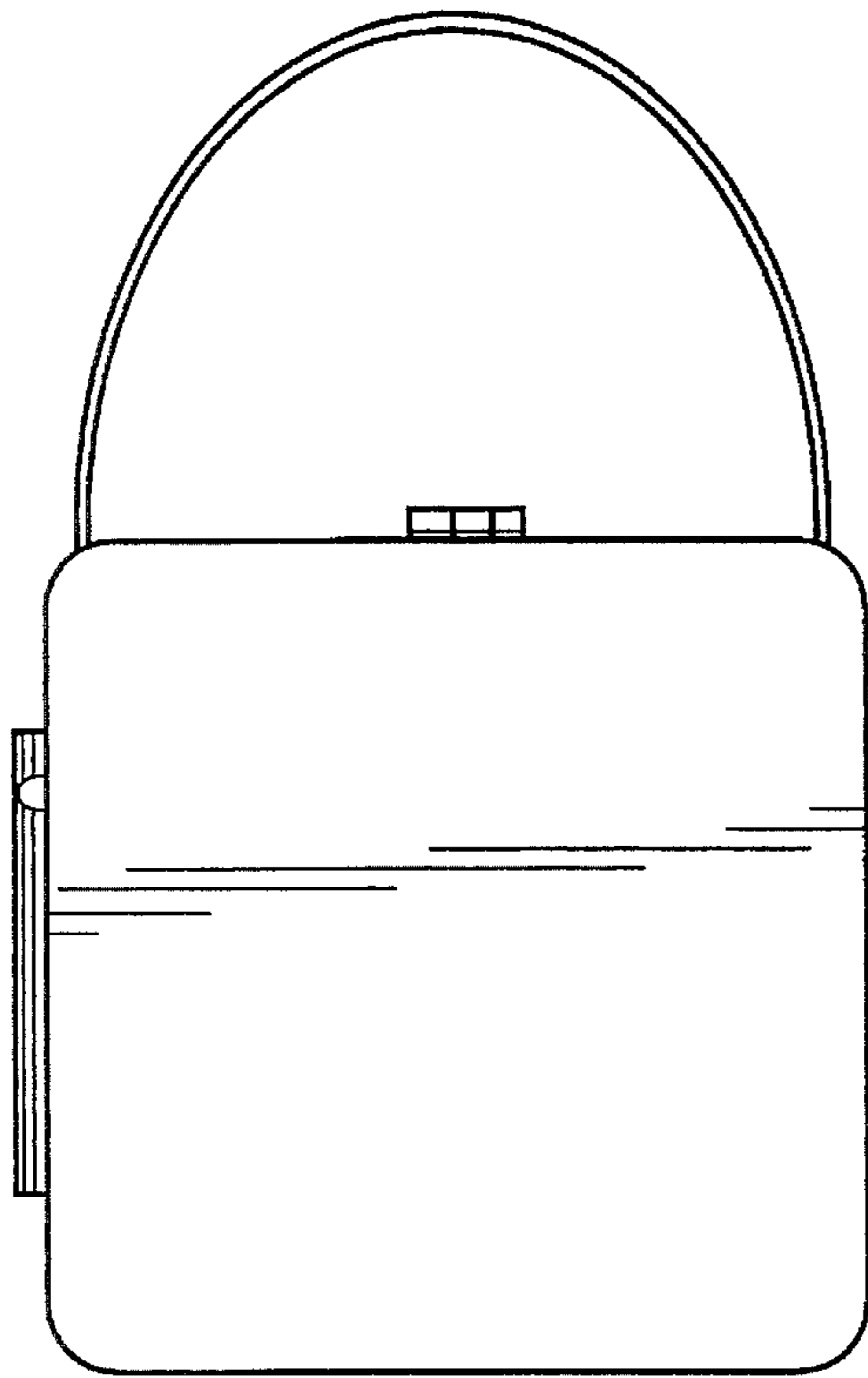


FIG. 8

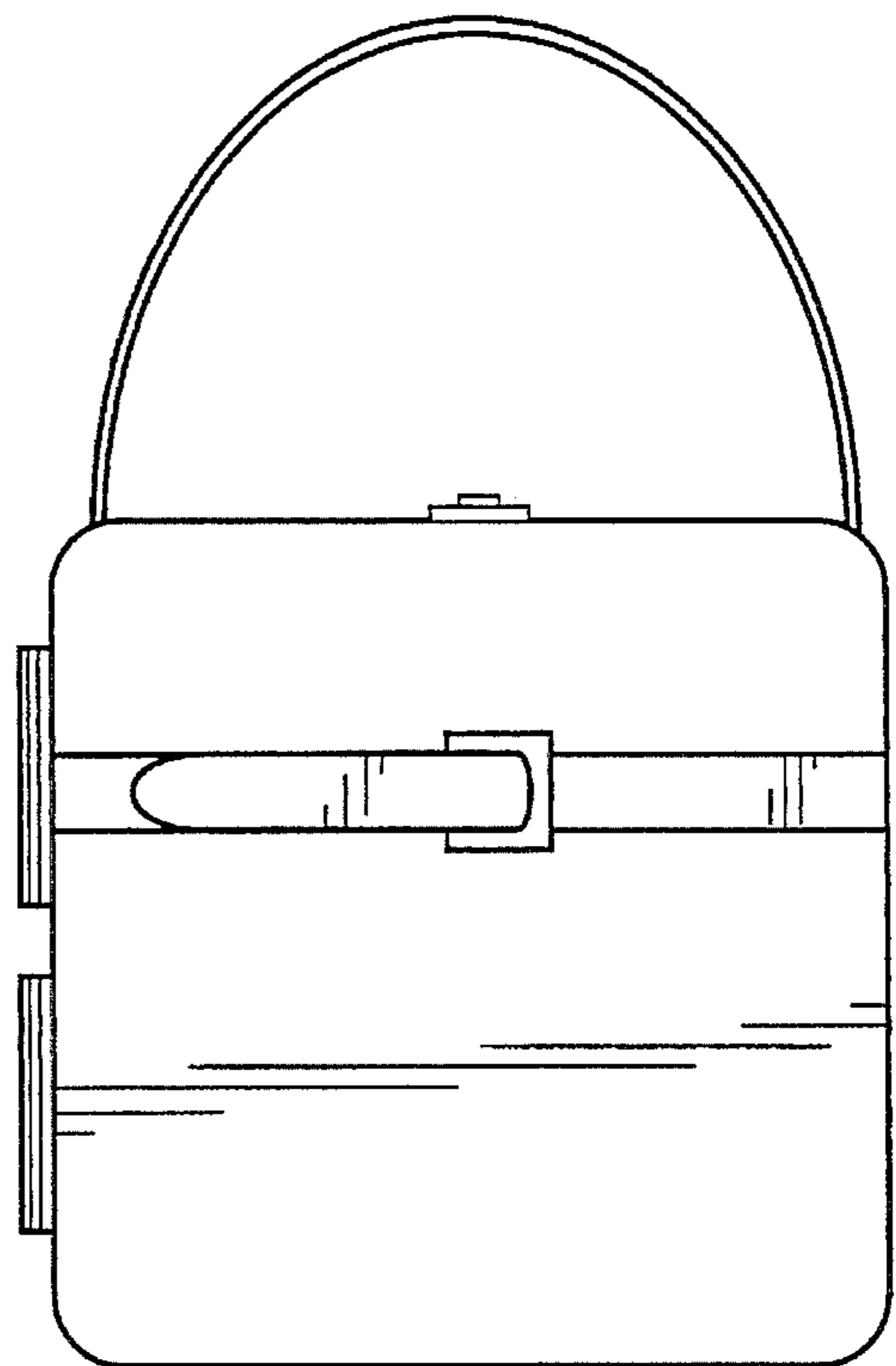


FIG. 9

FIG. 10

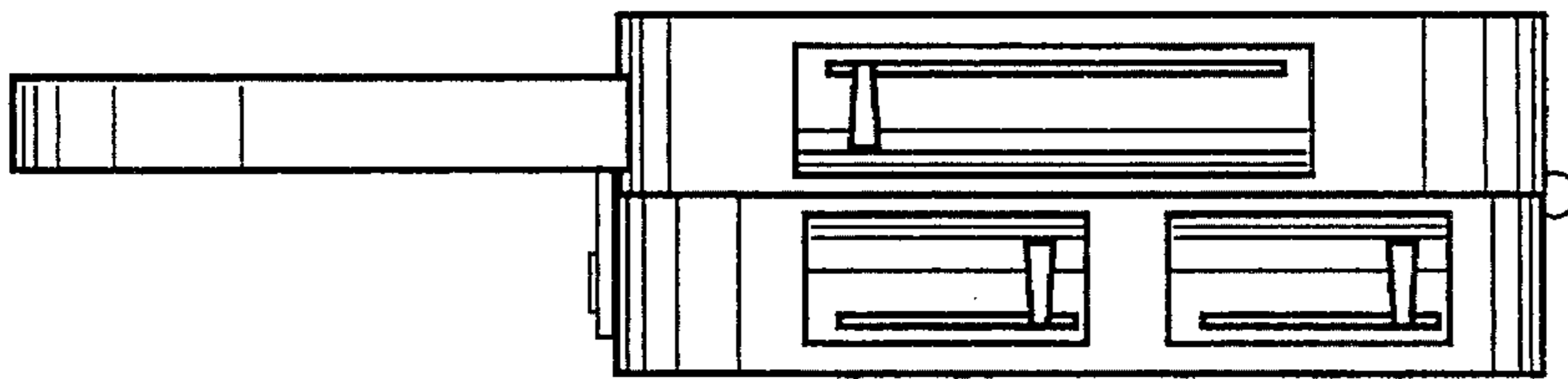


FIG. 11

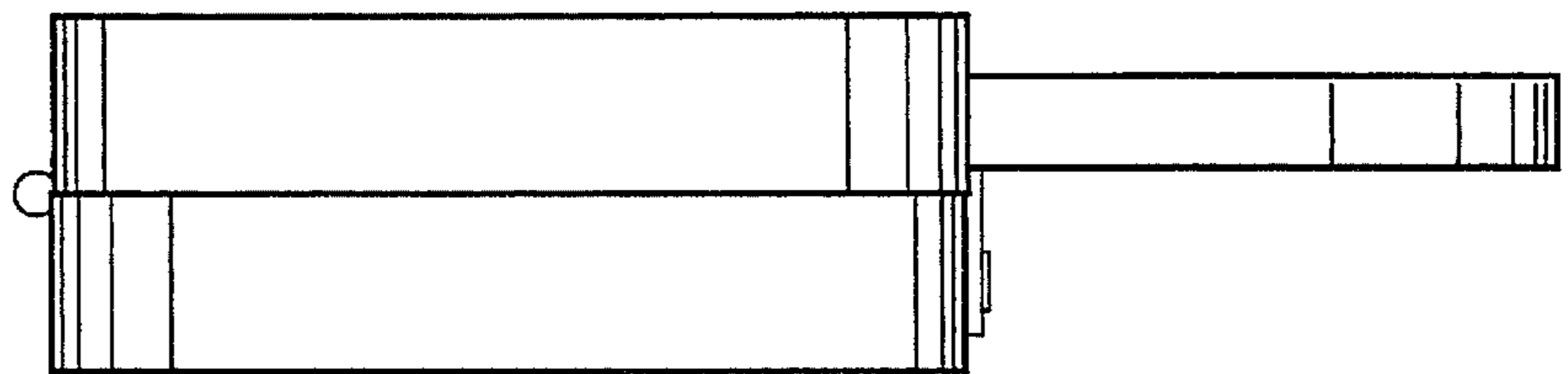


FIG. 12

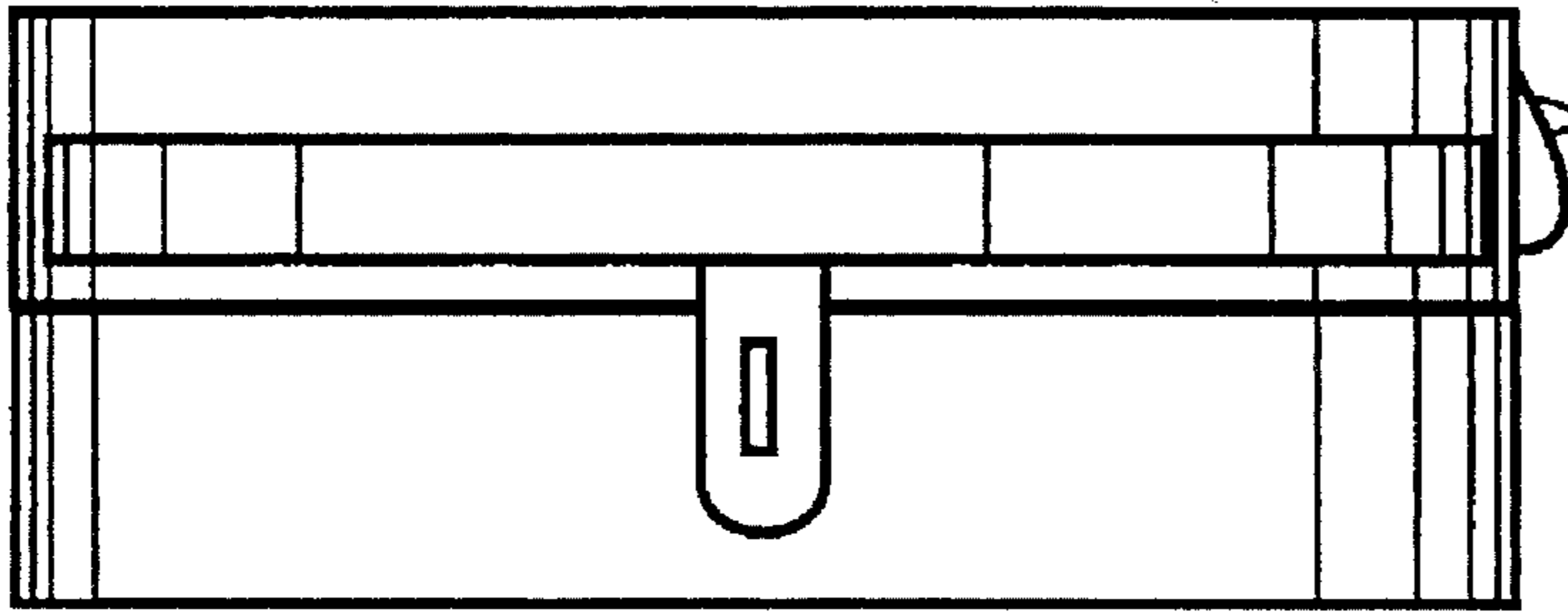


FIG. 13

