



US00D367768S

United States Patent [19]

[11] Patent Number: **Des. 367,768**

Wagner

[45] Date of Patent: ****Mar. 12, 1996**

[54] **HANGER WITH SCENT BAR**

Primary Examiner—B. J. Bullock
Attorney, Agent, or Firm—John D. Gugliotta

[76] Inventor: **William F. Wagner**, 10385 Pritchard Rd., Hinckley, Ill. 60520

[57] **CLAIM**

[**] Term: **14 Years**

The ornamental design for a hanger with scent bar, as shown and described.

[21] Appl. No.: **26,935**

DESCRIPTION

[22] Filed: **Aug. 12, 1994**

[52] U.S. Cl. **D6/319**

[58] Field of Search D6/315, 317, 319;
211/113; 223/85, 86, 92, 95

FIG. 1 is a top, front and left side perspective view of a hanger with scent bar showing my new design;

FIG. 2 is an exploded view of the top, front and left side perspective view thereof, shown with the scent bar and the accompanying cover removed;

FIG. 3 is an exploded view of the front, elevational view thereof, shown with the scent bar and accompanying cover removed;

FIG. 4 is an exploded view of the right side, elevational view thereof, shown with the scent bar and accompanying cover removed;

FIG. 5 is an exploded view of a top plan thereof; and,

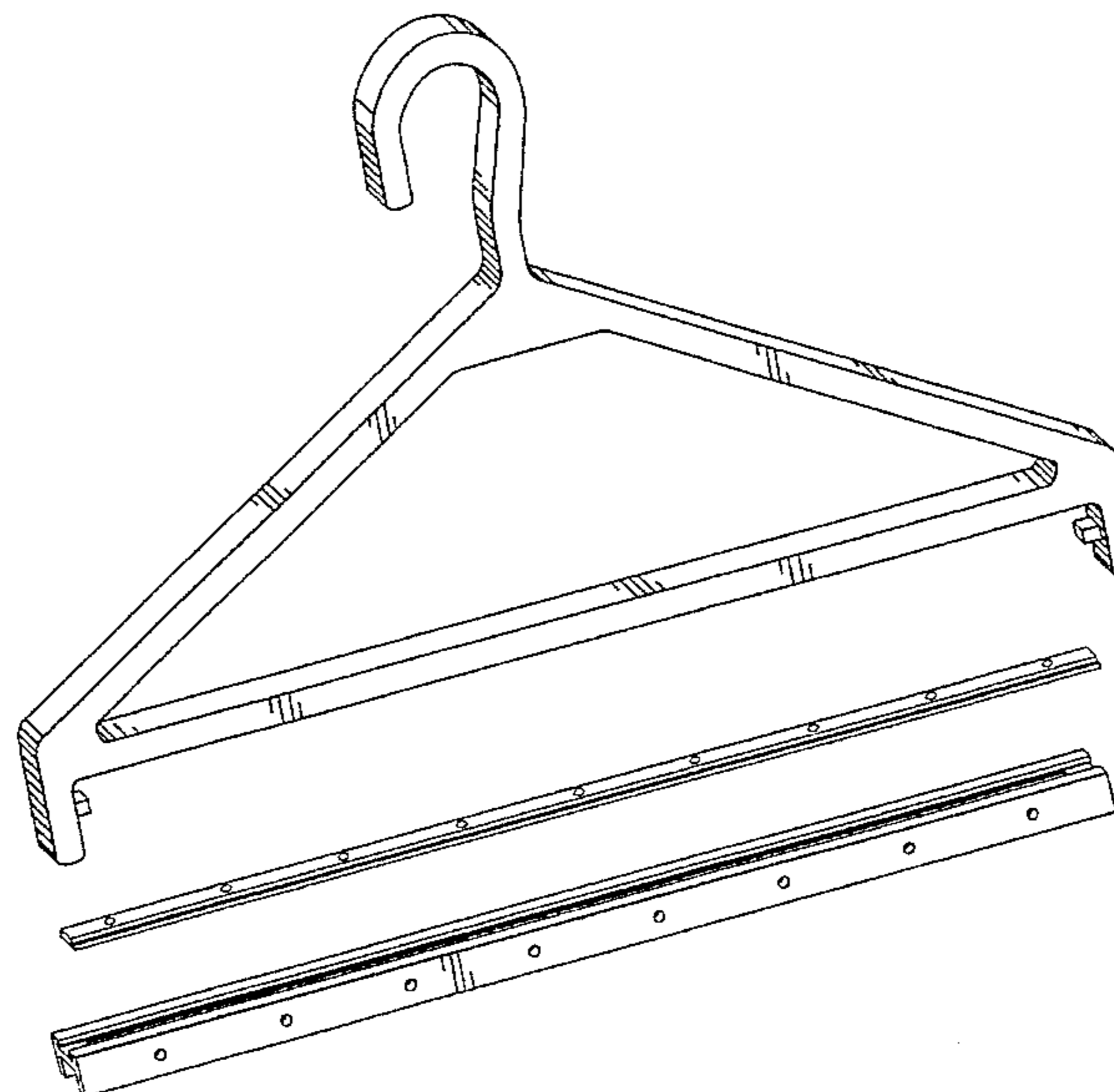
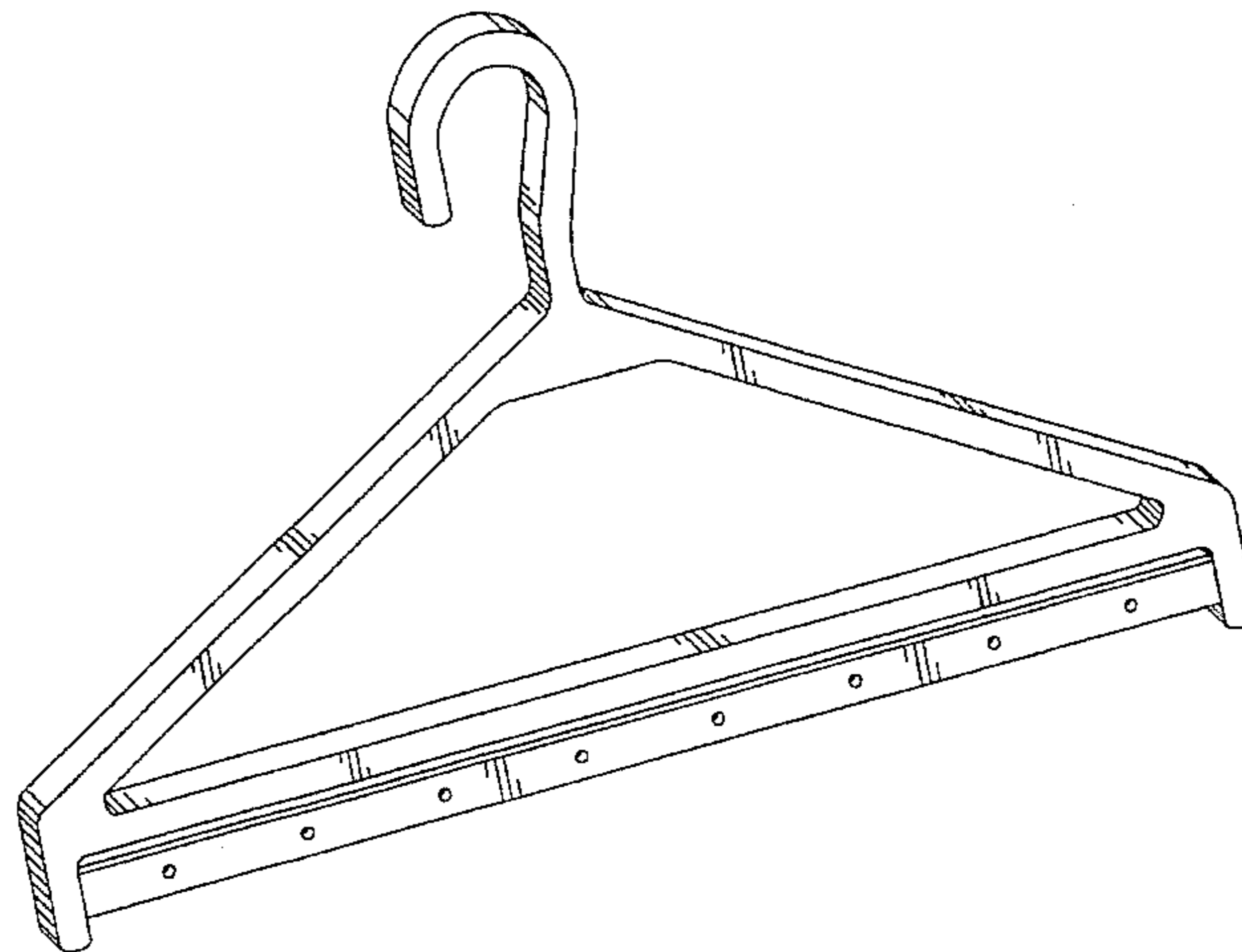
FIG. 6 is an exploded view of a bottom plan view thereof.

[56] References Cited

U.S. PATENT DOCUMENTS

| | | | |
|------------|---------|--------------------|--------|
| D. 155,926 | 11/1949 | Robin | D6/317 |
| 2,429,919 | 10/1947 | Boorstin | 223/86 |
| 2,461,149 | 2/1949 | Ericson | 223/86 |
| 2,489,866 | 11/1949 | Damenstein | 223/86 |
| 2,681,754 | 6/1954 | Lefton et al. | 223/86 |
| 3,790,044 | 2/1974 | Verdile | 223/86 |
| 4,624,396 | 11/1986 | Universe | 223/92 |
| 5,033,661 | 7/1991 | Baun | 223/86 |
| 5,056,694 | 10/1991 | Michalik | 223/98 |

1 Claim, 4 Drawing Sheets



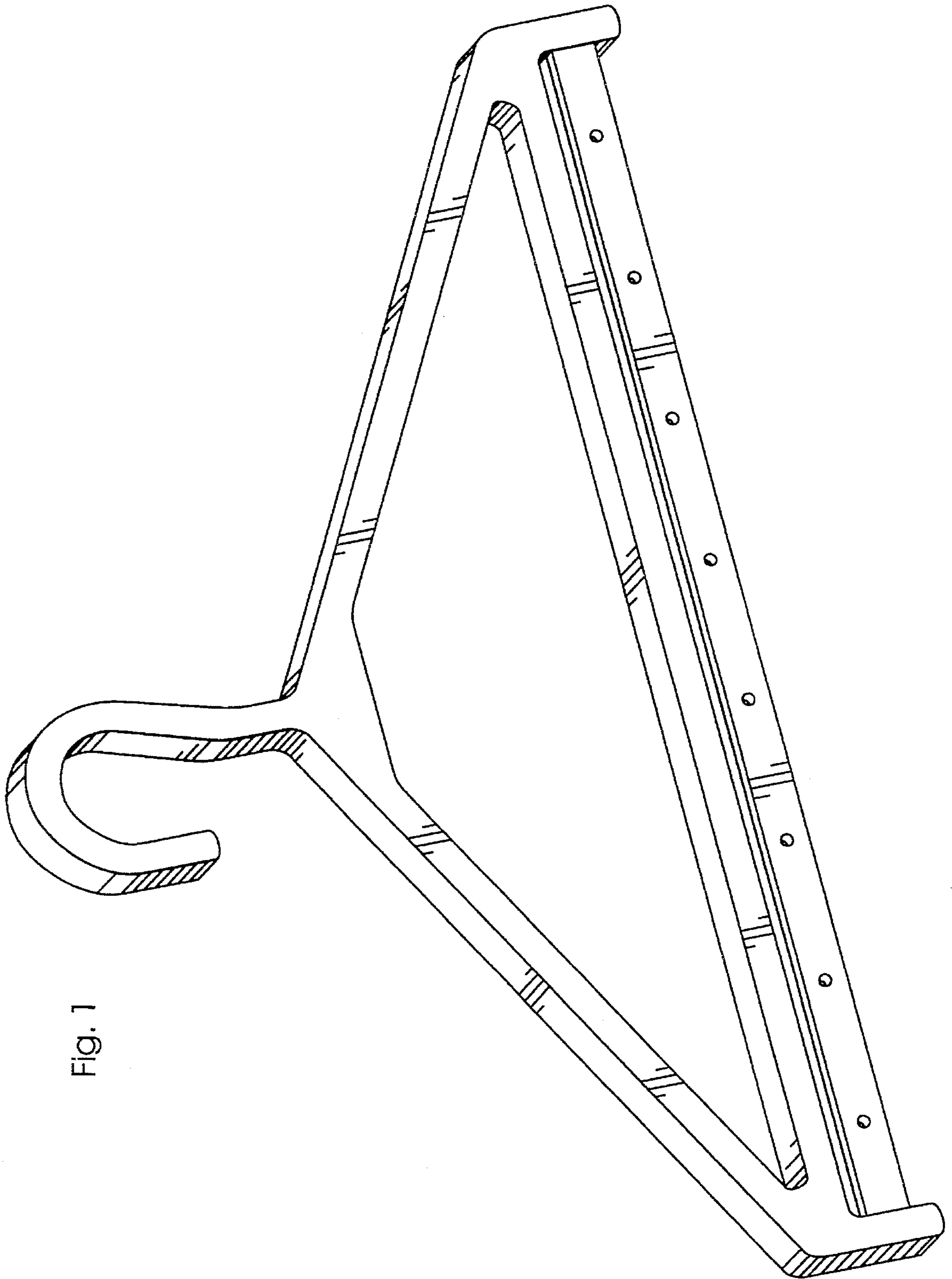


Fig. 1

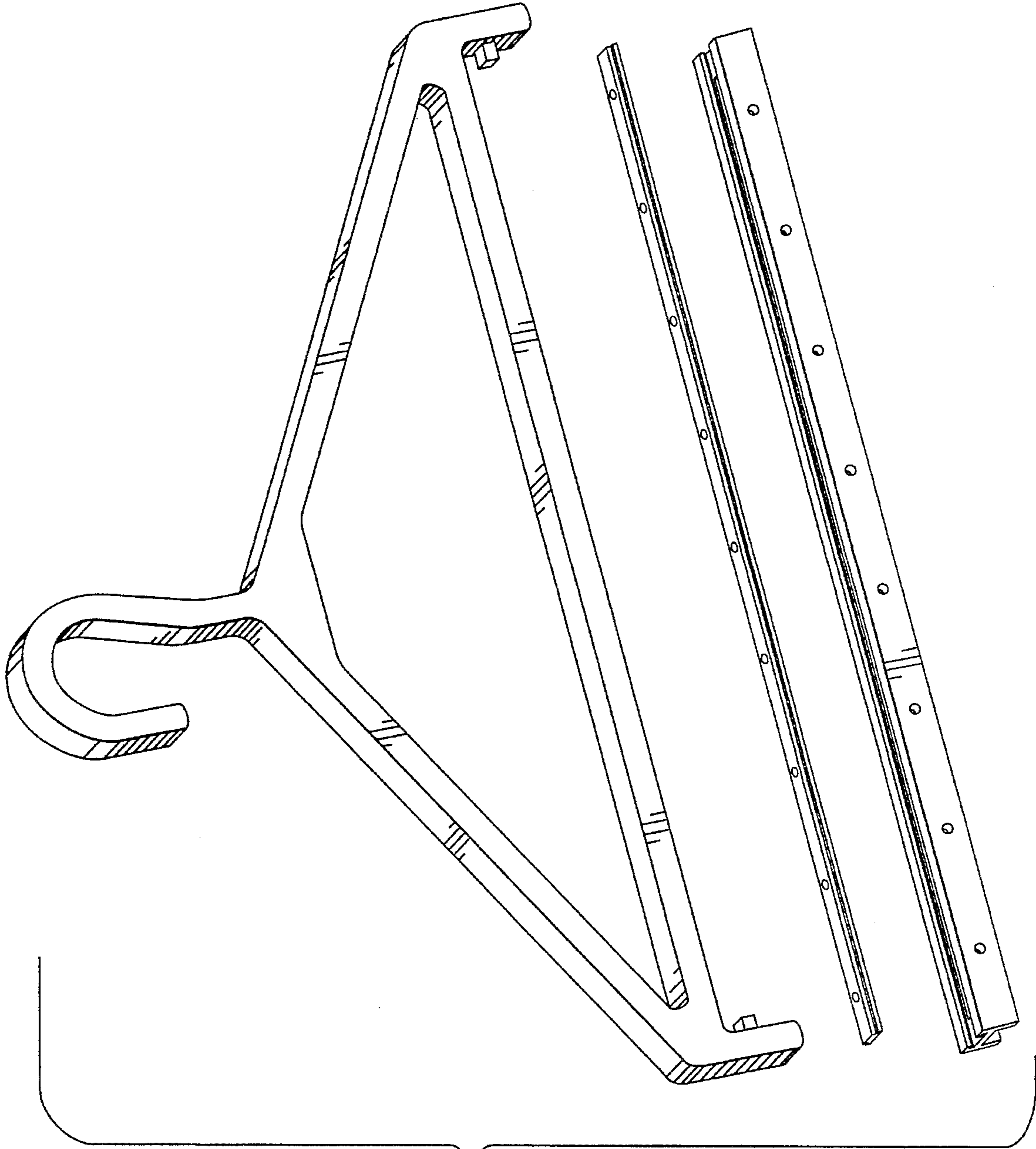


Fig. 2

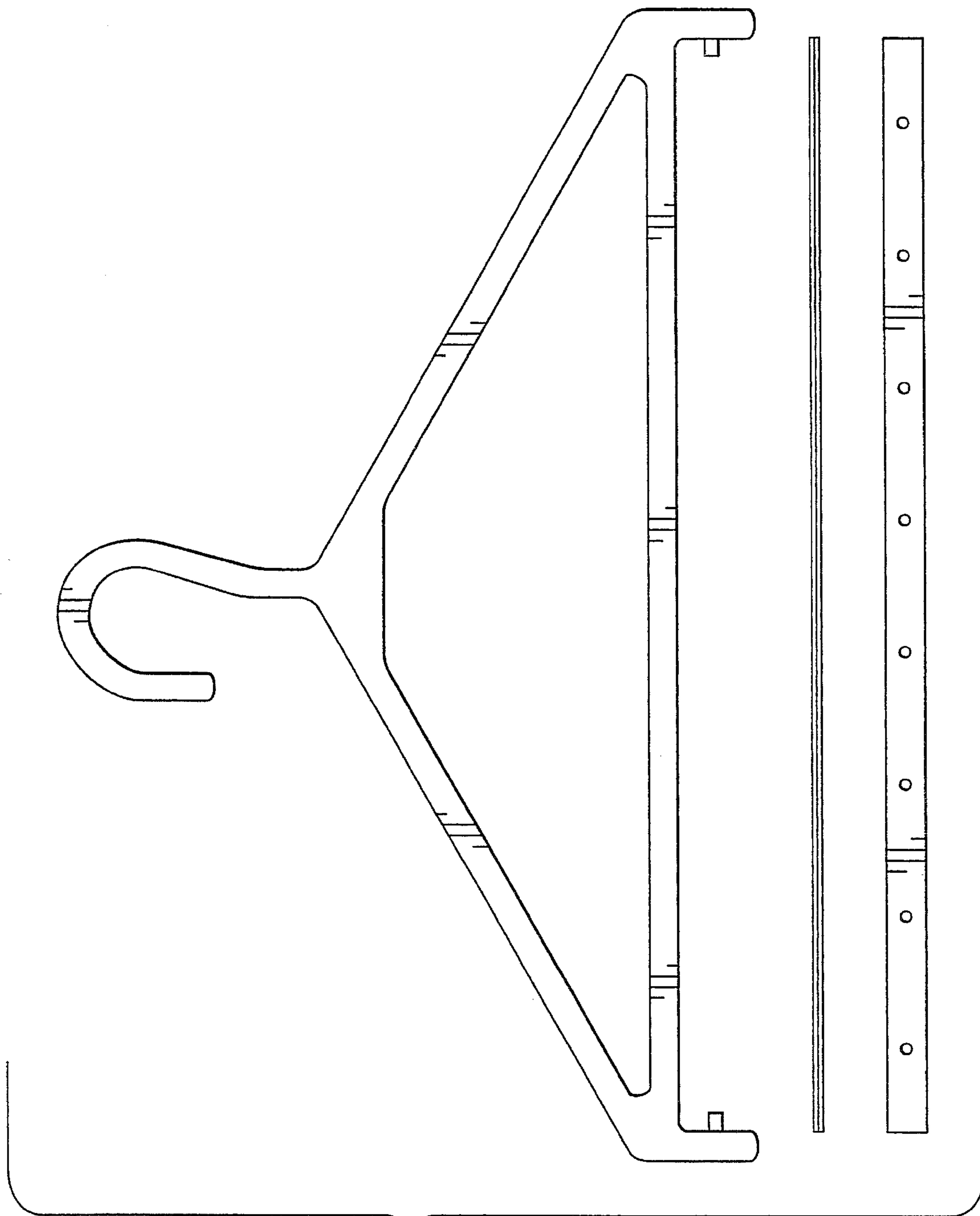


Fig. 3

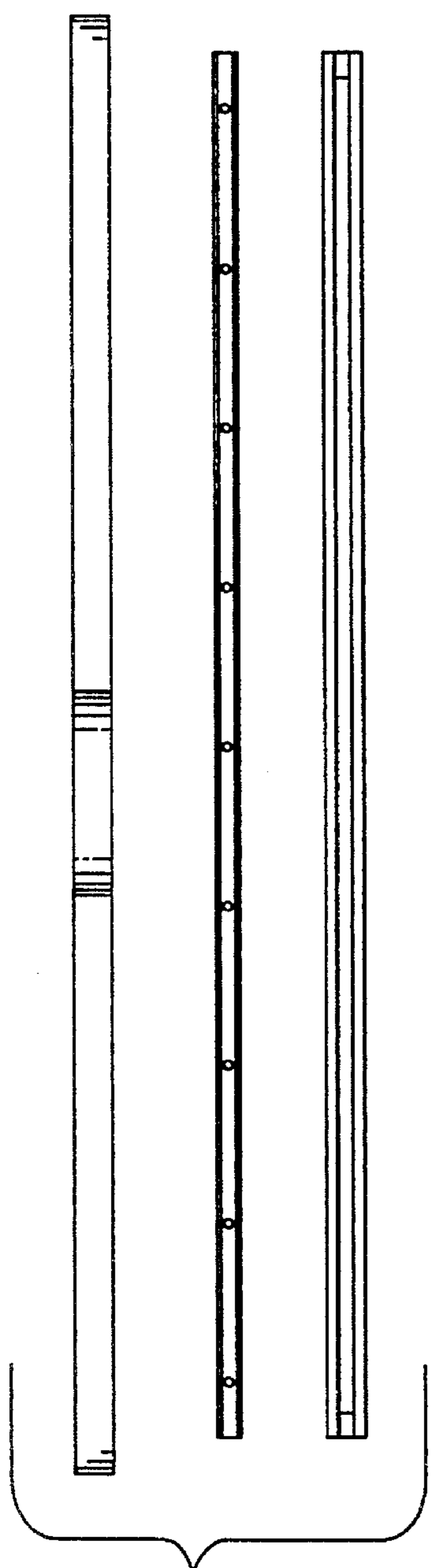


Fig. 5

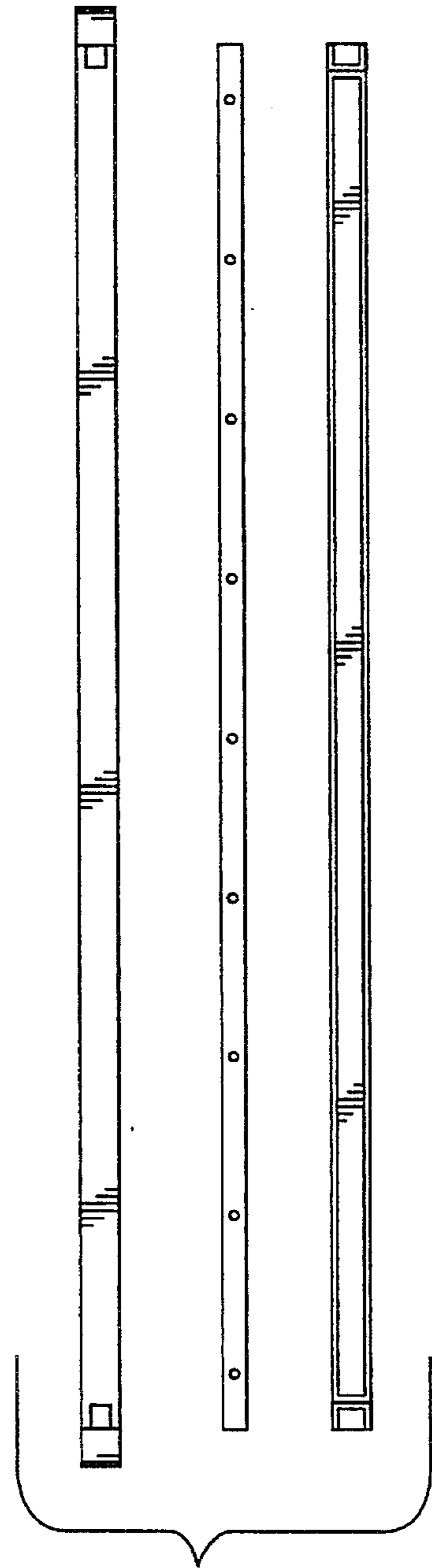


Fig. 6

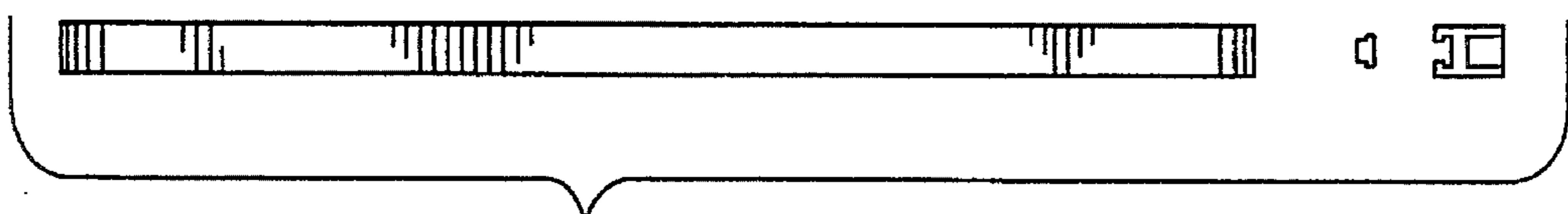


Fig. 4