



US00D367767S

# United States Patent [19]

Rhodes

[11] Patent Number: **Des. 367,767**

[45] Date of Patent: **\*\*Mar. 12, 1996**

[54] **COMMERCIAL ART EASEL**

3,368,786 2/1968 Bulman ..... 248/455  
4,042,203 8/1977 Warkentin ..... 248/449

[76] Inventor: **Andrew Rhodes**, 51 Watson Ave.,  
Ossining, West Chester, N.Y. 10562

*Primary Examiner*—Janice E. Seeger  
*Attorney, Agent, or Firm*—Howard C. Miskin

[\*\*] Term: **14 Years**

[57] **CLAIM**

[21] Appl. No.: **30,760**

The ornamental design for a commercial art easel, as shown and described.

[22] Filed: **Nov. 7, 1994**

[52] U.S. Cl. .... **D6/312; D6/310**

**DESCRIPTION**

[58] Field of Search ..... D6/300-314; 248/441.1,  
248/448, 449, 454-457, 460, 463; D19/52

FIG. 1 is a left rear perspective view of a commercial art easel showing my new design;

FIG. 2 is a front elevational view thereof;

FIG. 3 is a bottom plan view thereof; and,

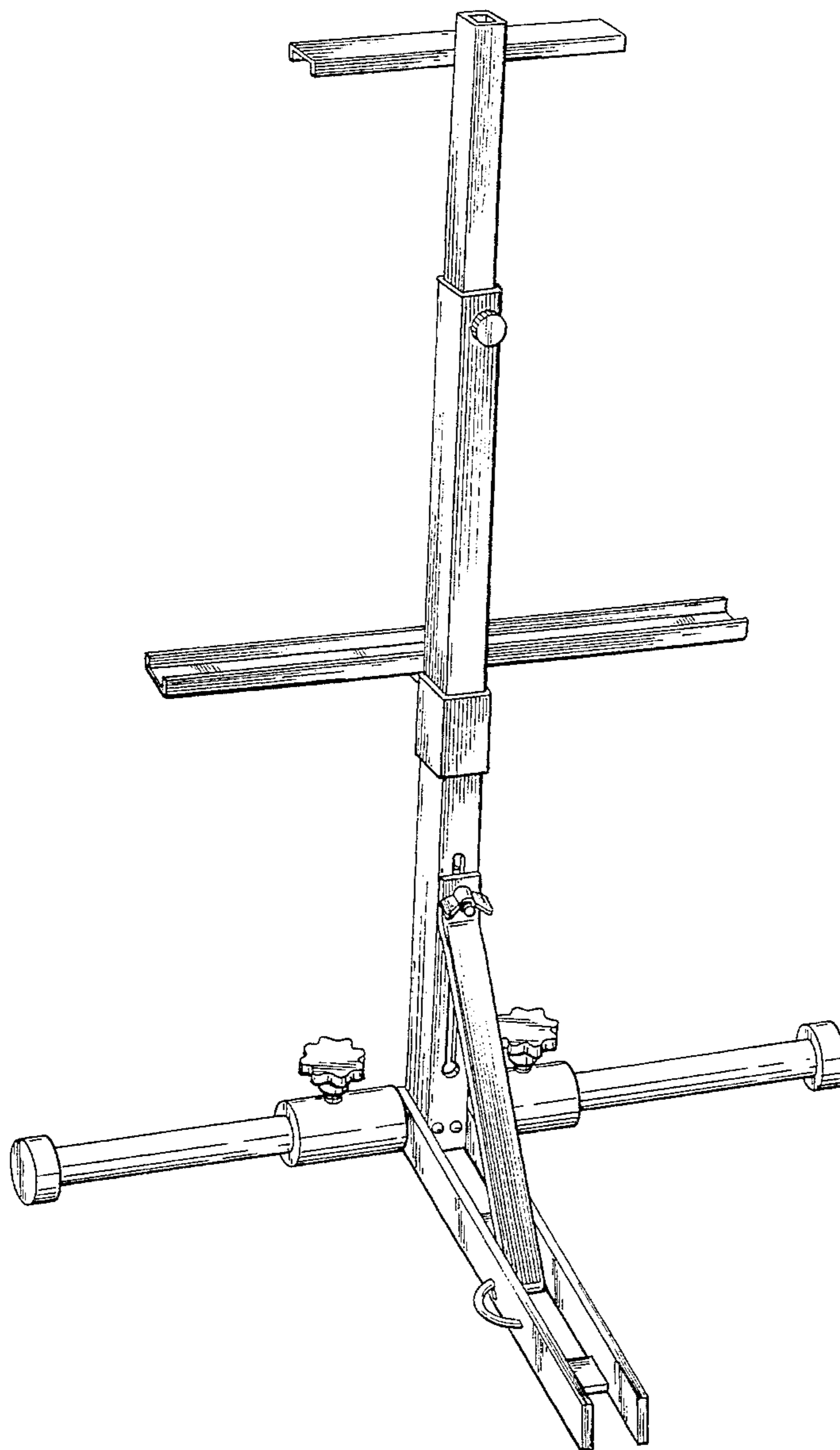
FIG. 4 is a left side elevational view thereof.

[56] **References Cited**

**U.S. PATENT DOCUMENTS**

D. 271,454	11/1983	Forte	.....	D6/312
D. 296,160	6/1988	Rhodes	.....	D6/300
D. 344,637	3/1994	Brown	.....	D6/310

**1 Claim, 2 Drawing Sheets**



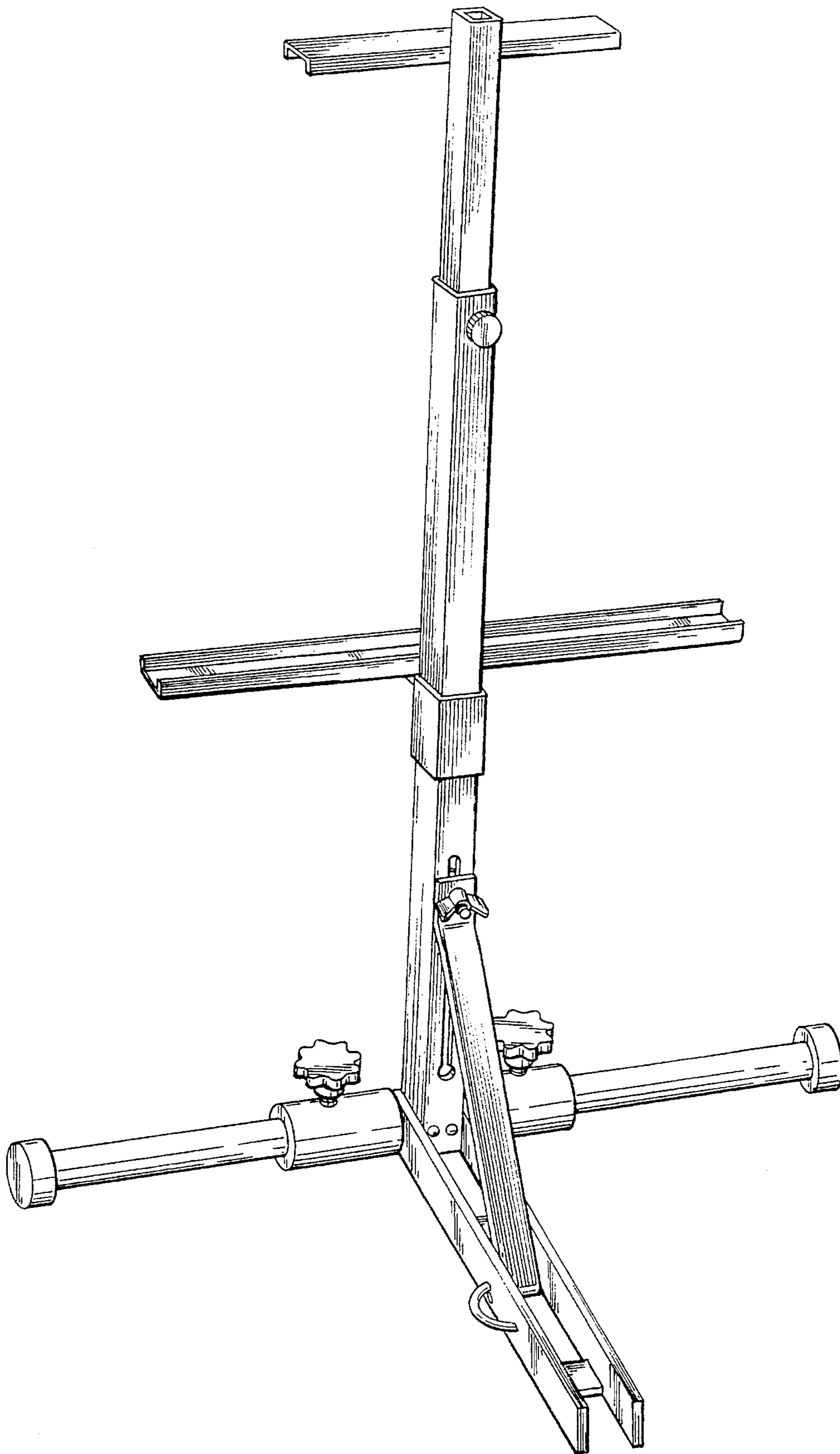


FIG. 1.

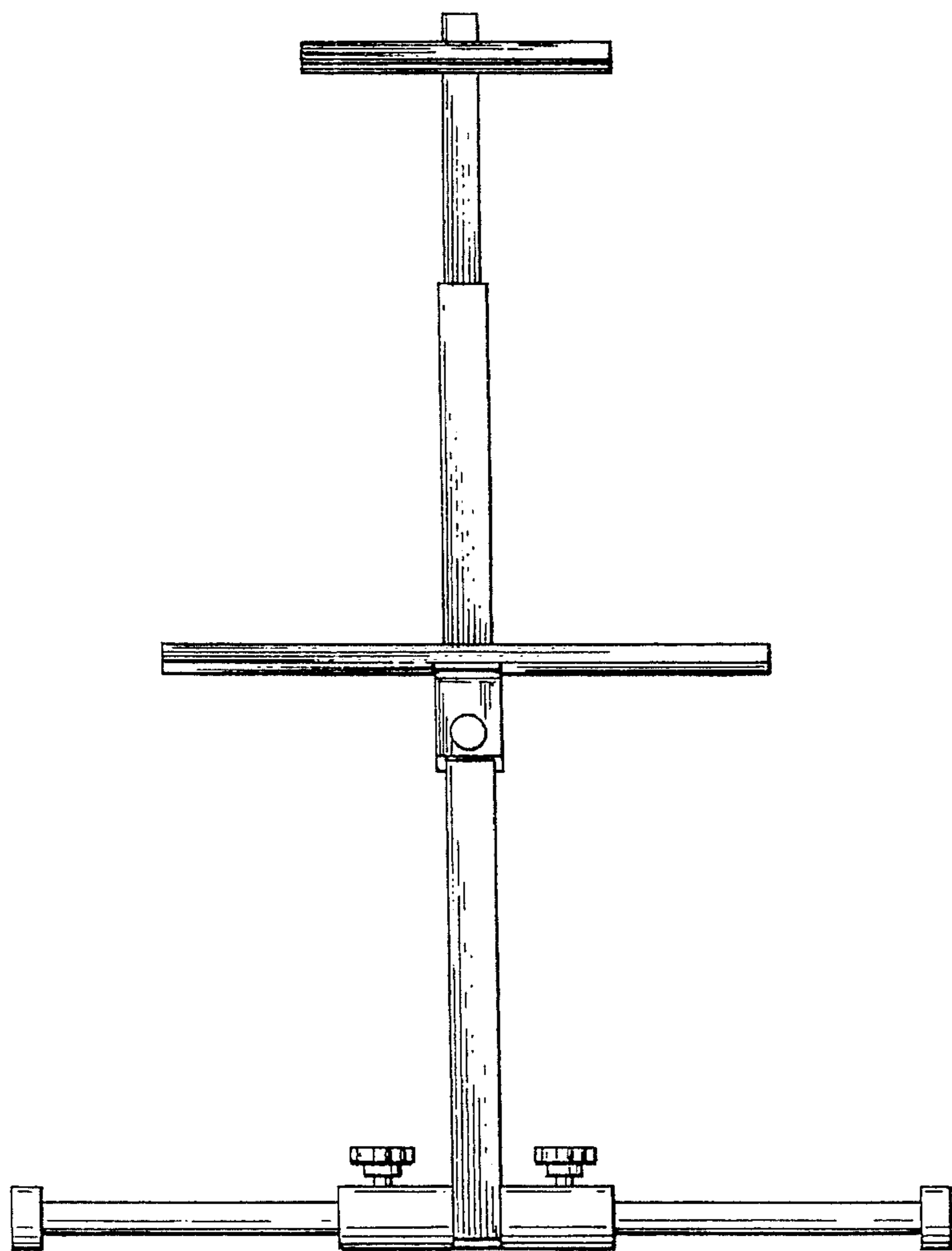


Fig. 2.

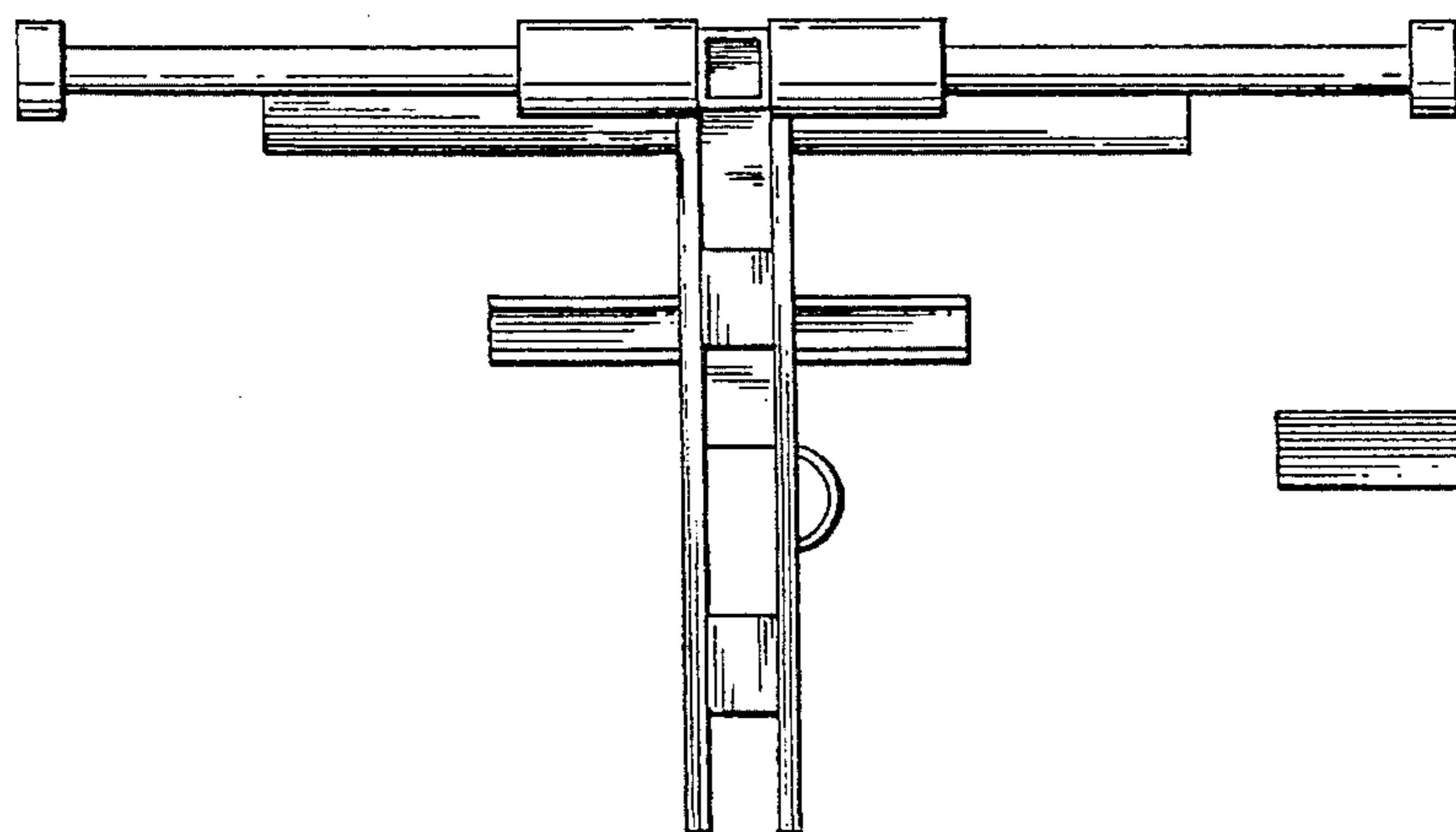


Fig. 3.

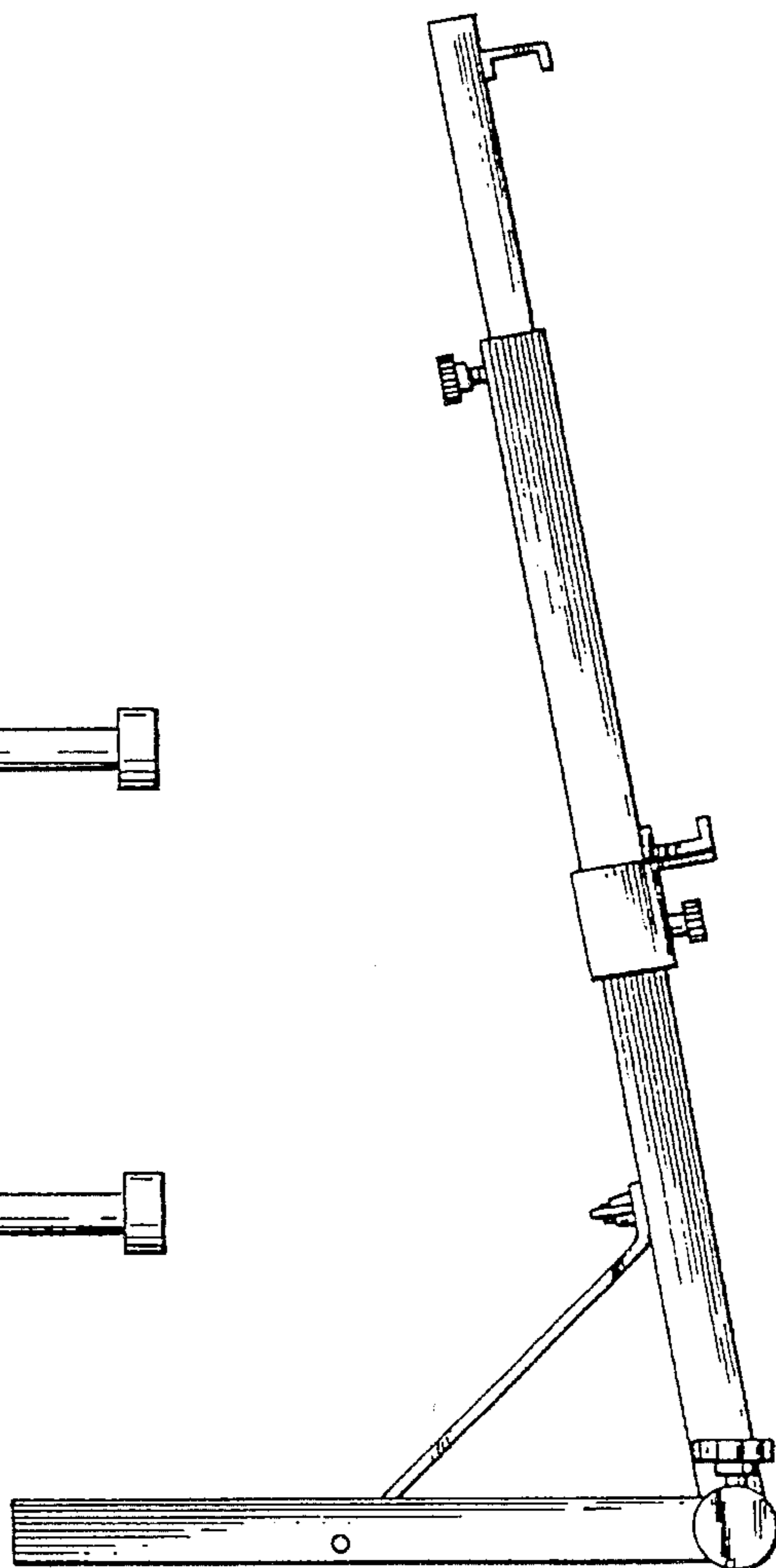


Fig. 4.