



US00D367756S

United States Patent [19]

[11] Patent Number: **Des. 367,756**

Ohba et al.

[45] Date of Patent: ****Mar. 12, 1996**

[54] **PORTABLE CARRYING GRIP WITH BELT**

[75] Inventors: **Haruo Ohba; Tomoyuki Shudo**, both of Tokyo, Japan

[73] Assignee: **Sony Corporation**, Tokyo, Japan

[**] Term: **14 Years**

[21] Appl. No.: **24,673**

[22] Filed: **Jun. 20, 1994**

[52] U.S. Cl.: **D3/218**

[58] Field of Search D3/218, 318, 328, D3/215, 226; D8/72; D11/200; 224/230, 240, 252, 242, 269, 904

[56] **References Cited**

U.S. PATENT DOCUMENTS

4,083,481	4/1978	Selinko	224/252
4,113,156	9/1978	Brito	224/252 X
4,780,934	11/1988	Vickers et al.	224/252 X
4,828,153	5/1989	Guzik et al.	224/242
5,261,583	11/1993	Long et al.	224/269 X

Primary Examiner—Louis S. Zarfaz
Assistant Examiner—Catherine R. Oliver
Attorney, Agent, or Firm—Beveridge, DeGrandi Weilacher & Young

[57] **CLAIM**

The original design for a portable carrying grip with belt, as shown and described.

DESCRIPTION

FIG. 1 is a perspective view of the portable carrying grip with belt;

FIG. 2 is a perspective view of the portable carrying grip with belt attached to a tape player, wherein the tape player is shown in broken lines for illustrative purposes only and forms no part of the claimed invention;

FIG. 3 is a front plan view of the portable carrying grip with belt;

FIG. 4 is a rear plan view of the portable carrying grip with belt;

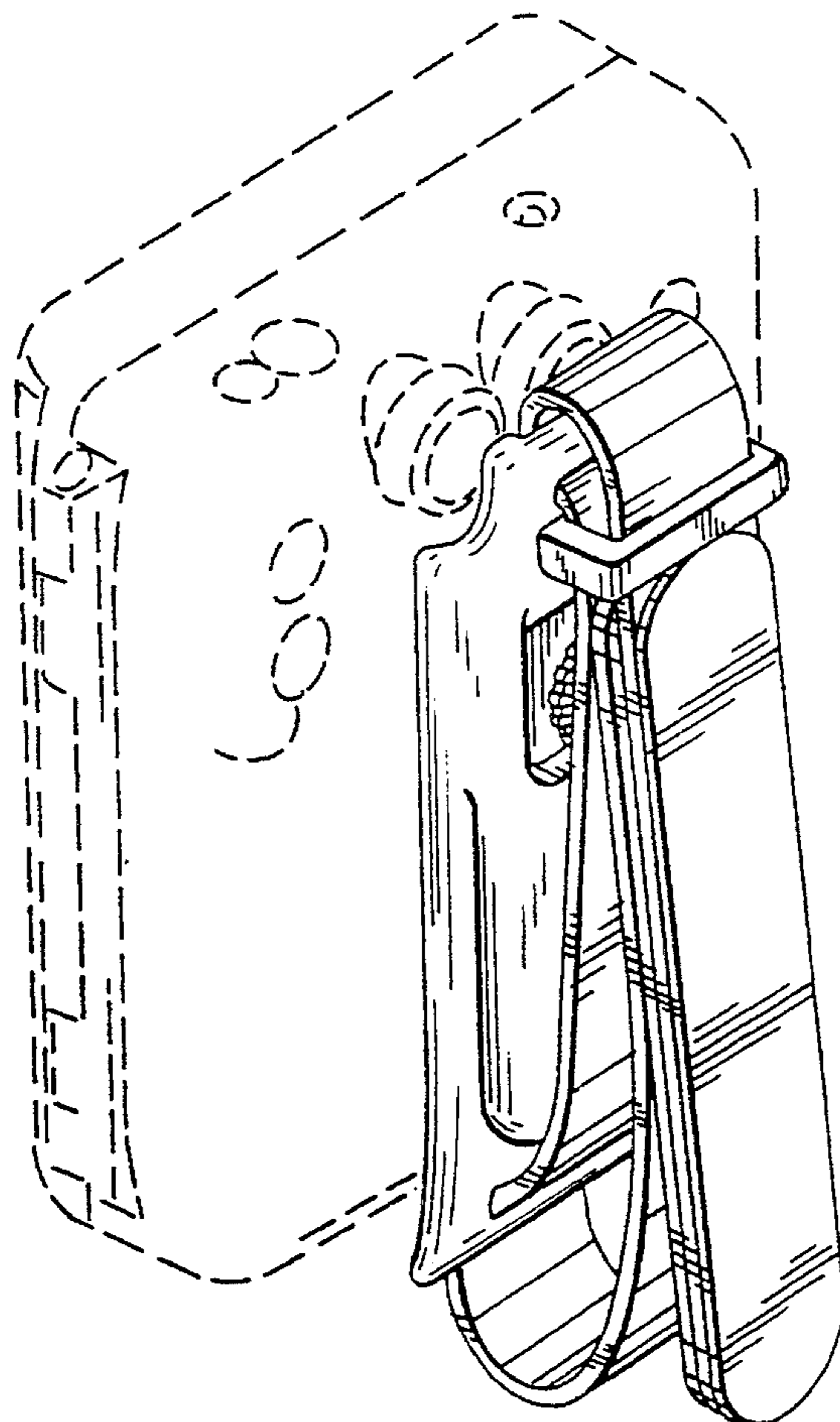
FIG. 5 is a left plan view of the portable carrying grip with belt;

FIG. 6 is a right plan view of the portable carrying grip with belt;

FIG. 7 is a top plan view of the portable carrying grip with belt; and,

FIG. 8 is a bottom plan view of the portable carrying grip with belt.

1 Claim, 3 Drawing Sheets



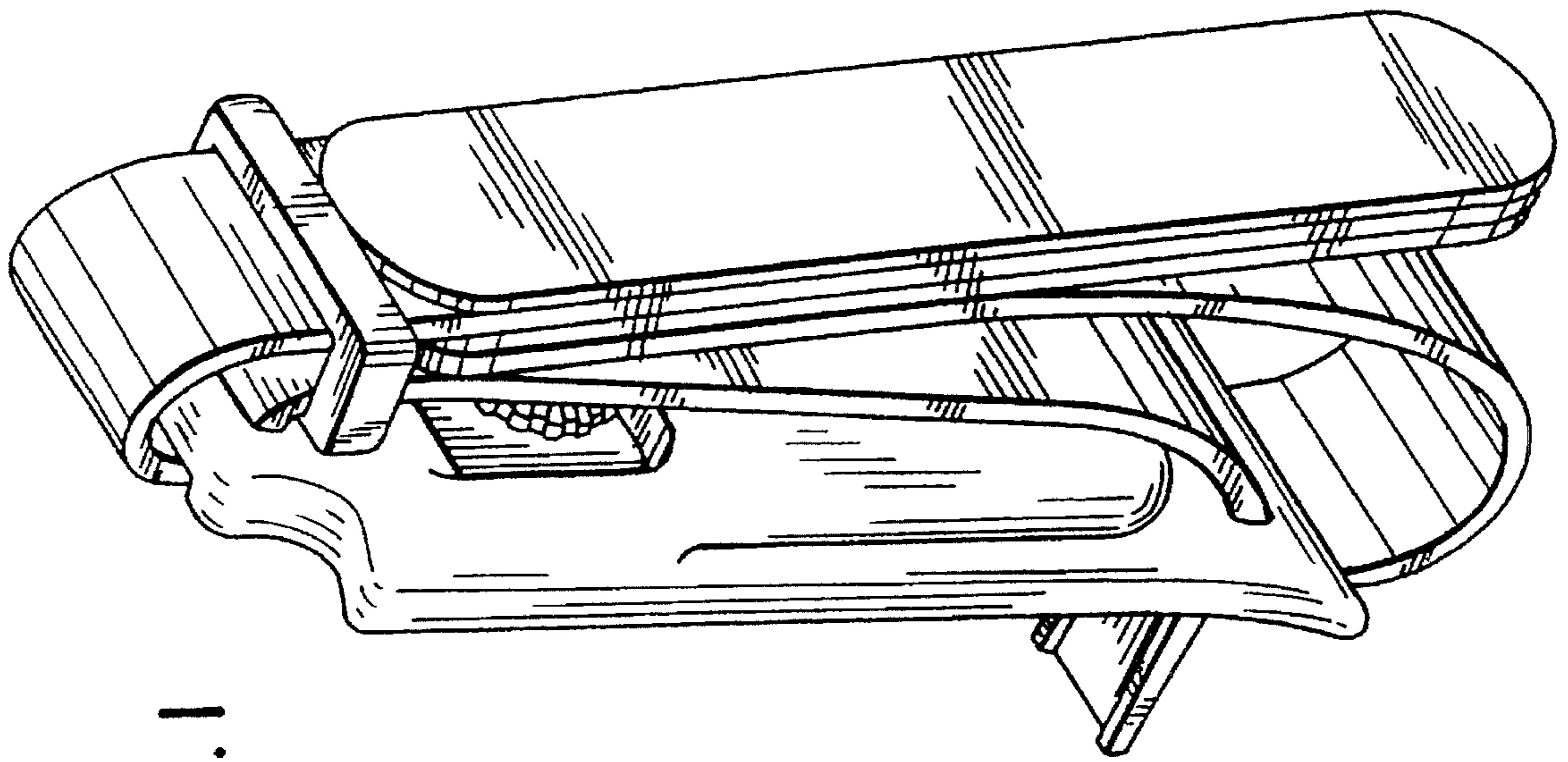


FIG. 1

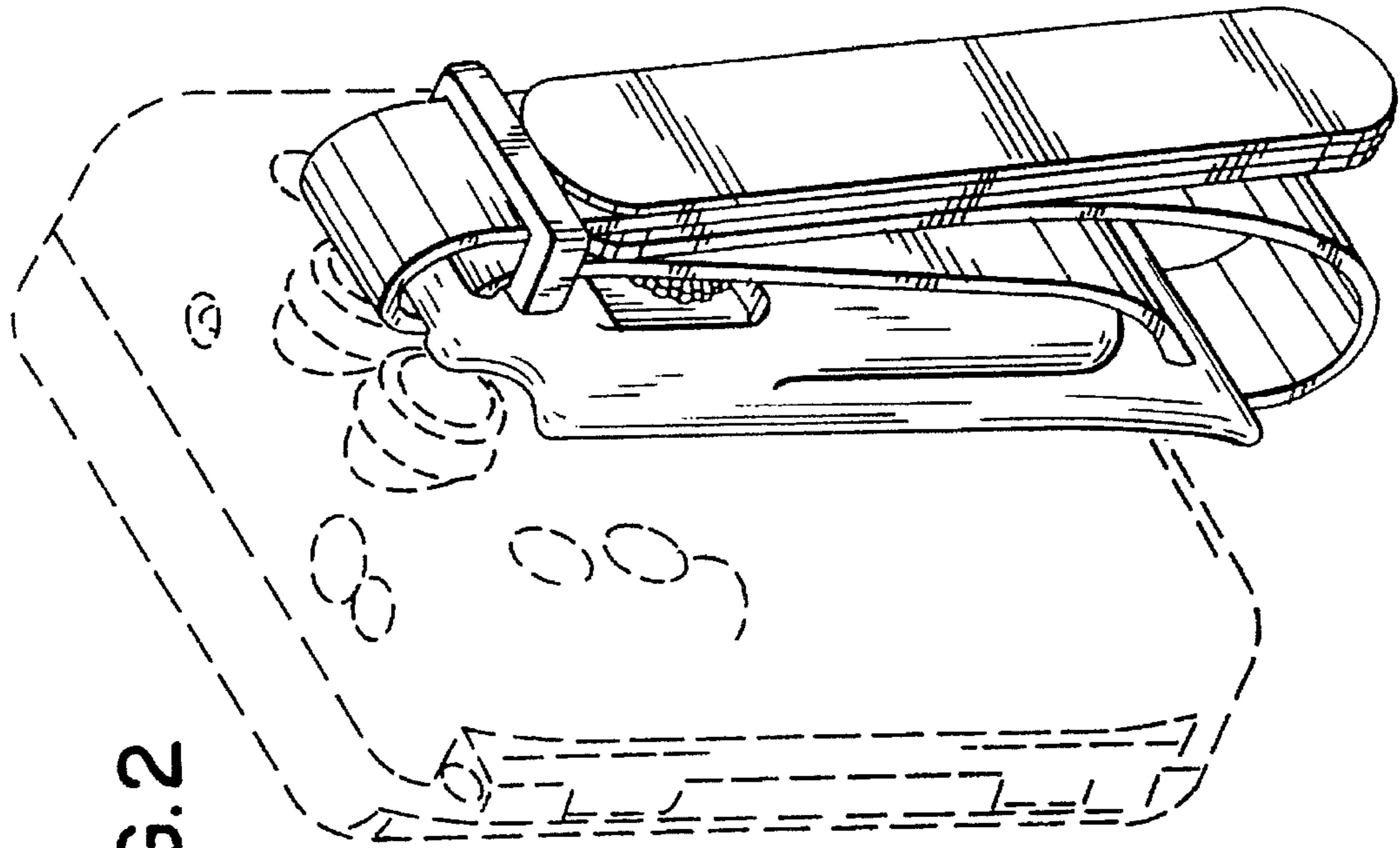


FIG. 2

FIG. 3

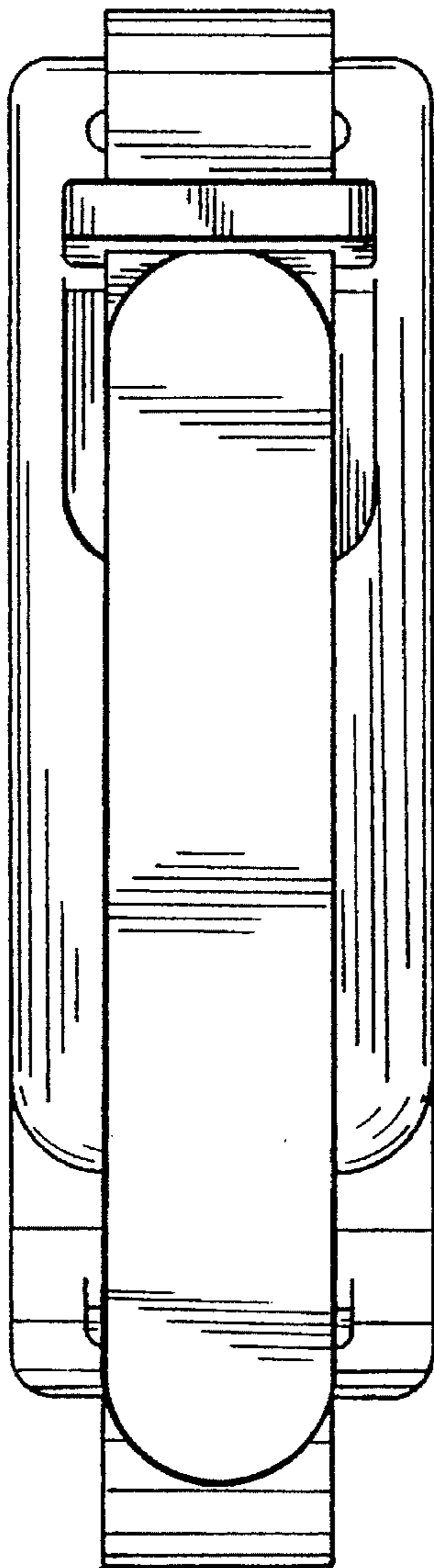


FIG. 4

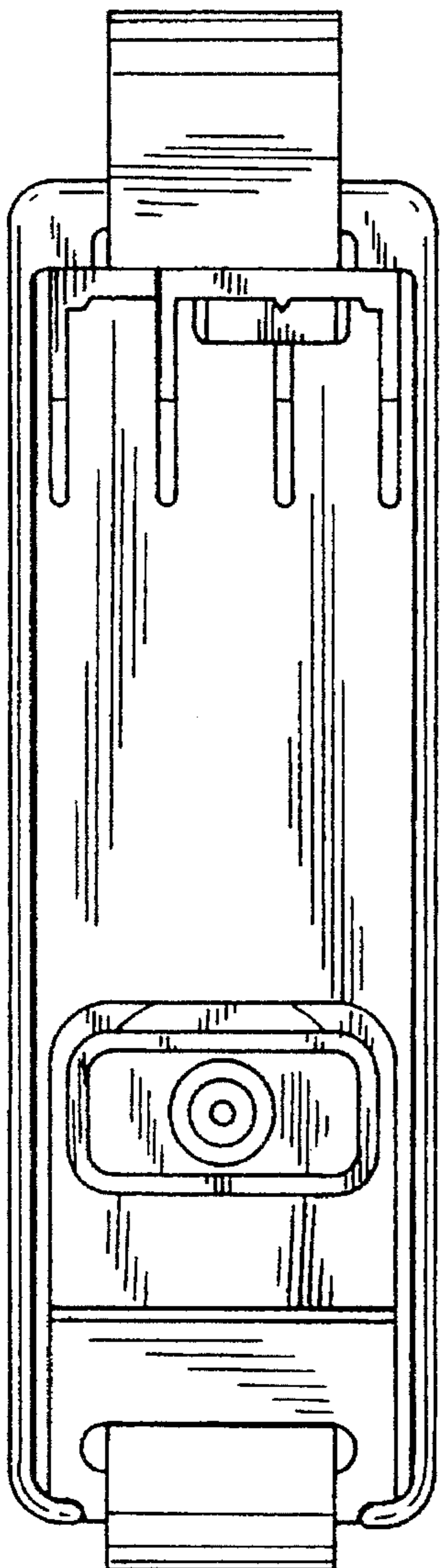


FIG. 5

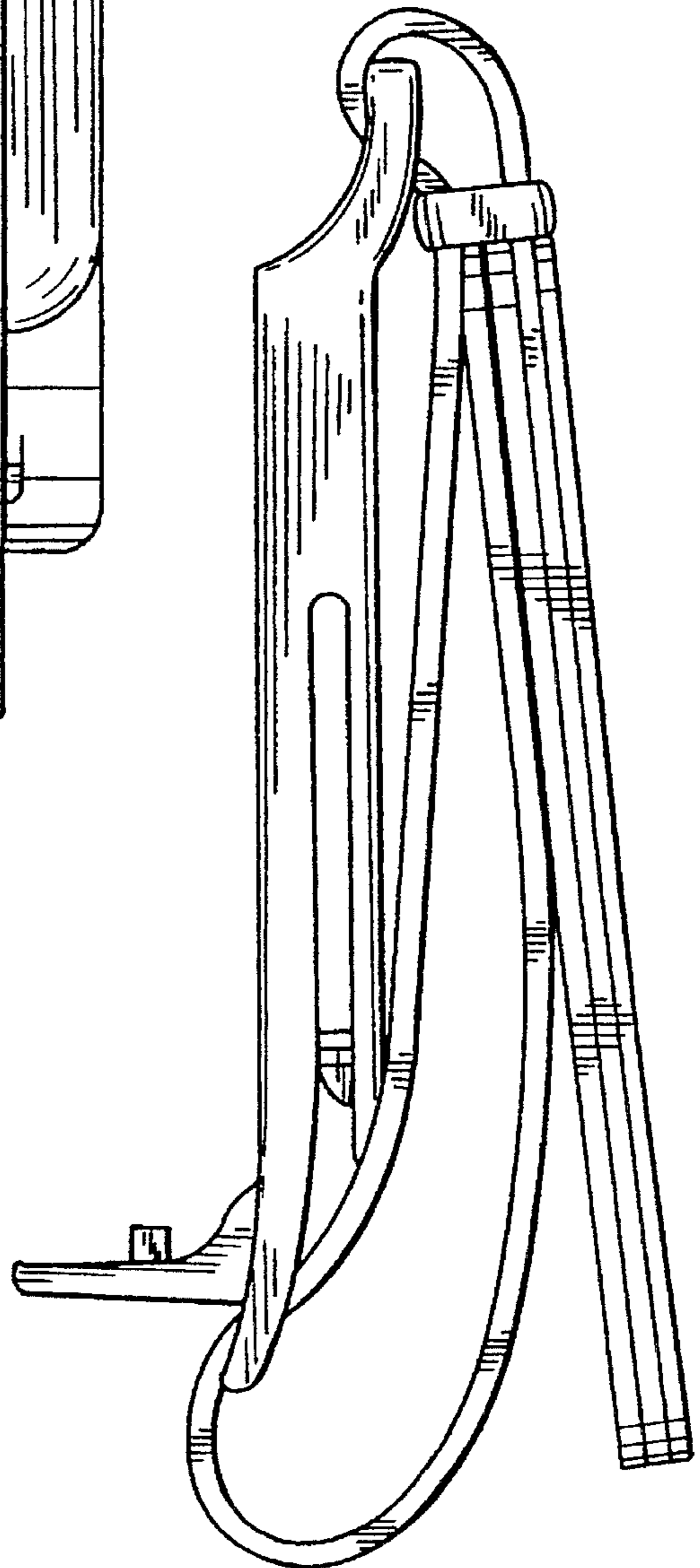


FIG. 6

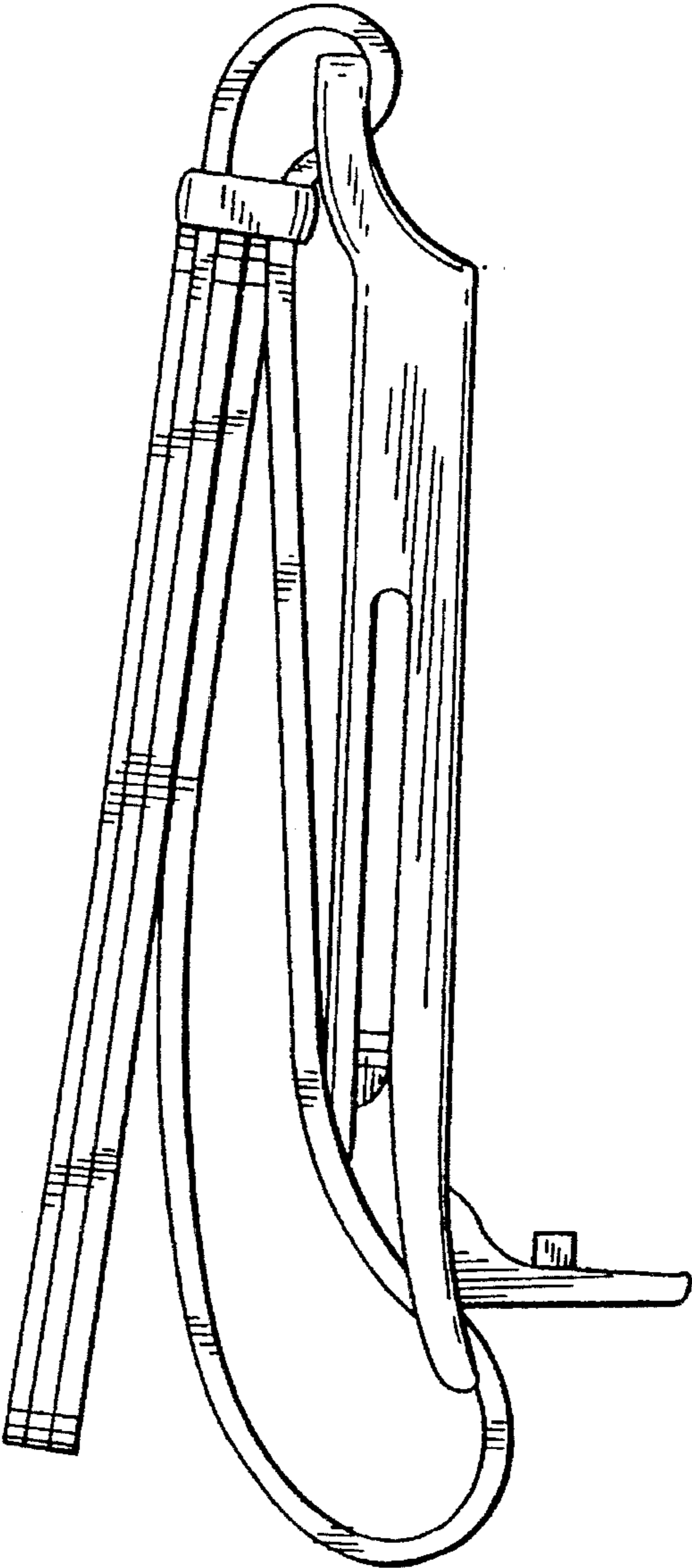


FIG. 7

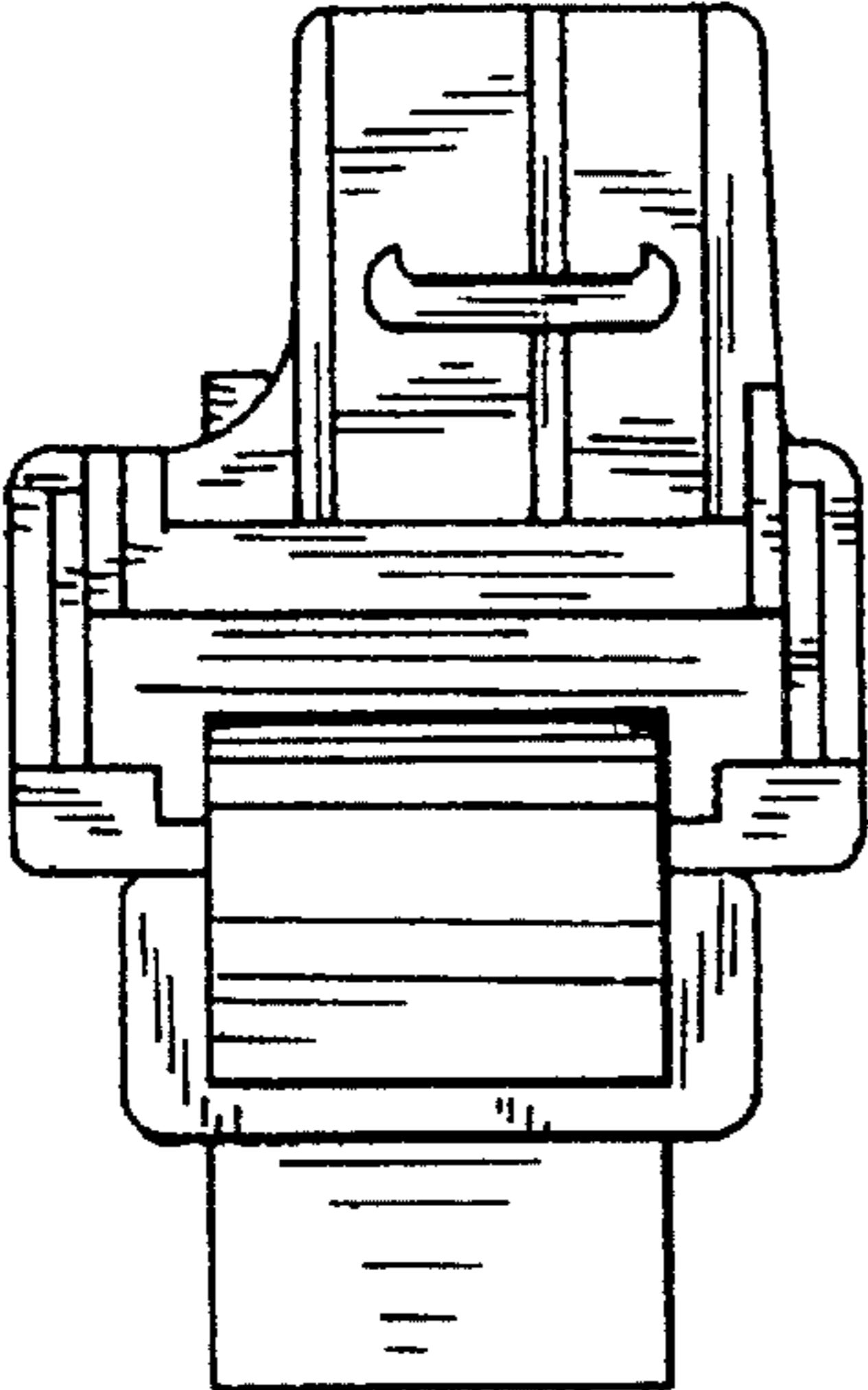


FIG. 8

