



US00D367755S

**United States Patent** [19]  
**Jones**

[11] **Patent Number: Des. 367,755**

[45] **Date of Patent: \*\*Mar. 12, 1996**

[54] **LOCKING DEVICE FOR SHOELACES**

[76] Inventor: **David Jones**, 6064 Vista Linda La.,  
Boca Raton, Fla. 33433

[\*\*] Term: **14 Years**

[21] Appl. No.: **30,416**

[22] Filed: **Oct. 28, 1994**

[52] U.S. Cl. .... **D2/978**

[58] **Field of Search** ..... D2/935, 946, 973,  
D2/976, 978; 36/136; 24/115 G, 115 M,  
136 R, 712.1, 712.9

4,393,550 7/1983 Yang et al. .... 24/117  
4,878,269 11/1989 Anscher ..... 24/115 G  
4,881,302 11/1989 Lee ..... 24/115 G  
5,029,371 7/1991 Rosenblood et al. .... 24/712.9  
5,325,613 7/1994 Sussmann ..... 24/712.2 X

*Primary Examiner*—Nelson C. Holtje  
*Attorney, Agent, or Firm*—Panitch Schwarze Jacobs &  
Nadel

[57] **CLAIM**

The ornamental design for a locking device for shoelaces, as shown and described.

**DESCRIPTION**

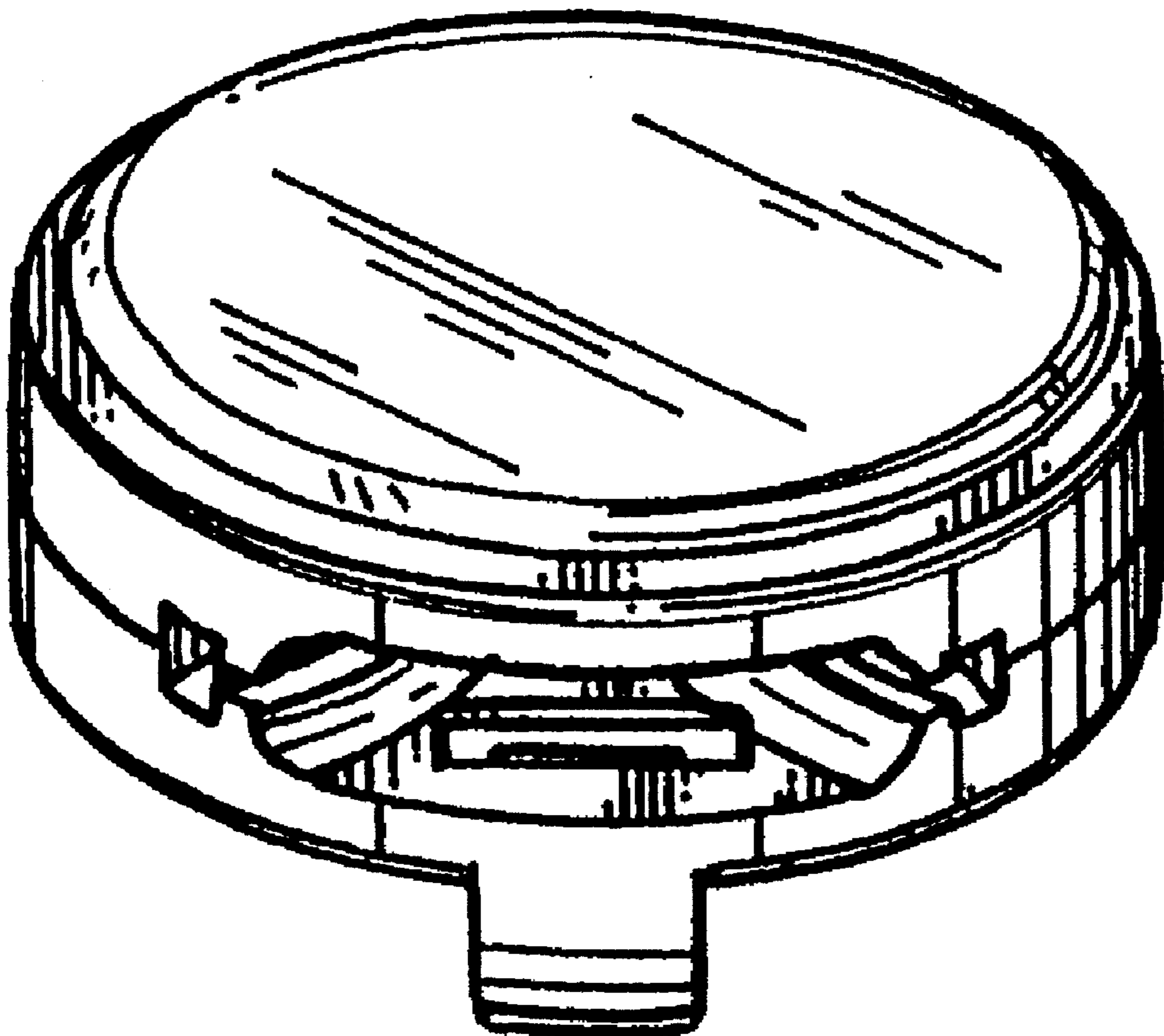
FIG. 1 is a perspective view of a locking device for shoelaces showing my new design;  
FIG. 2 is a top plan view thereof;  
FIG. 3 is a bottom plan view thereof;  
FIG. 4 is a left-side elevational view, the right-side elevational view being a mirror image thereof;  
FIG. 5 is a front elevational view thereof; and,  
FIG. 6 is a rear elevational view thereof.

[56] **References Cited**

**U.S. PATENT DOCUMENTS**

D. 308,282	6/1990	Bergman	.....	D2/978
3,122,805	3/1964	Hakim	.....	36/50.1 X
3,132,390	5/1964	Boden	.....	24/30.5
3,845,575	11/1974	Boden	.....	36/50
3,953,144	4/1976	Boden	.....	24/115 M X
3,965,544	6/1976	Boden	.....	36/50.1 X
4,102,019	7/1978	Boden	.....	24/117
4,327,512	5/1982	Oliver	.....	36/136 X

**1 Claim, 1 Drawing Sheet**



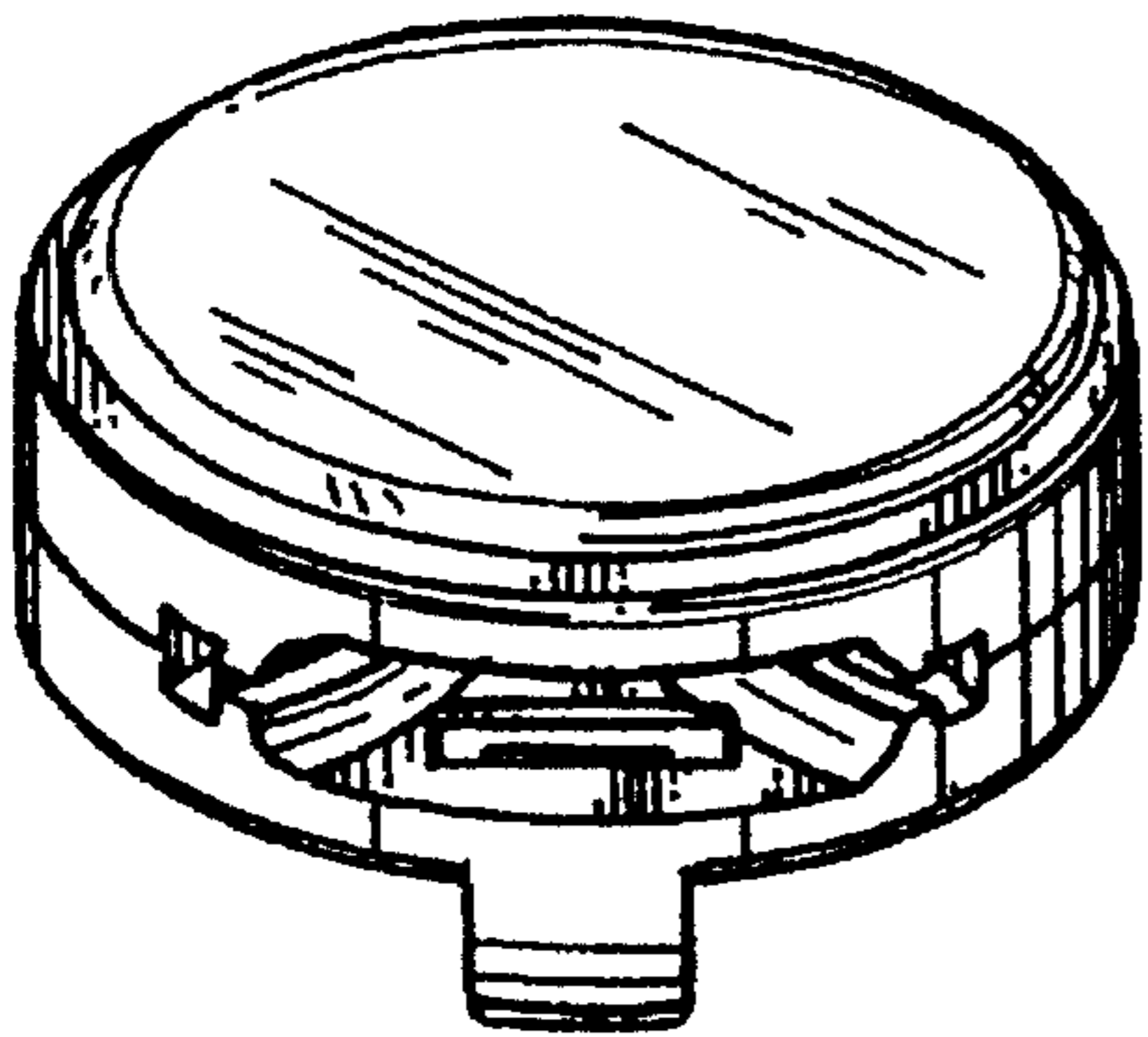


FIG. 1

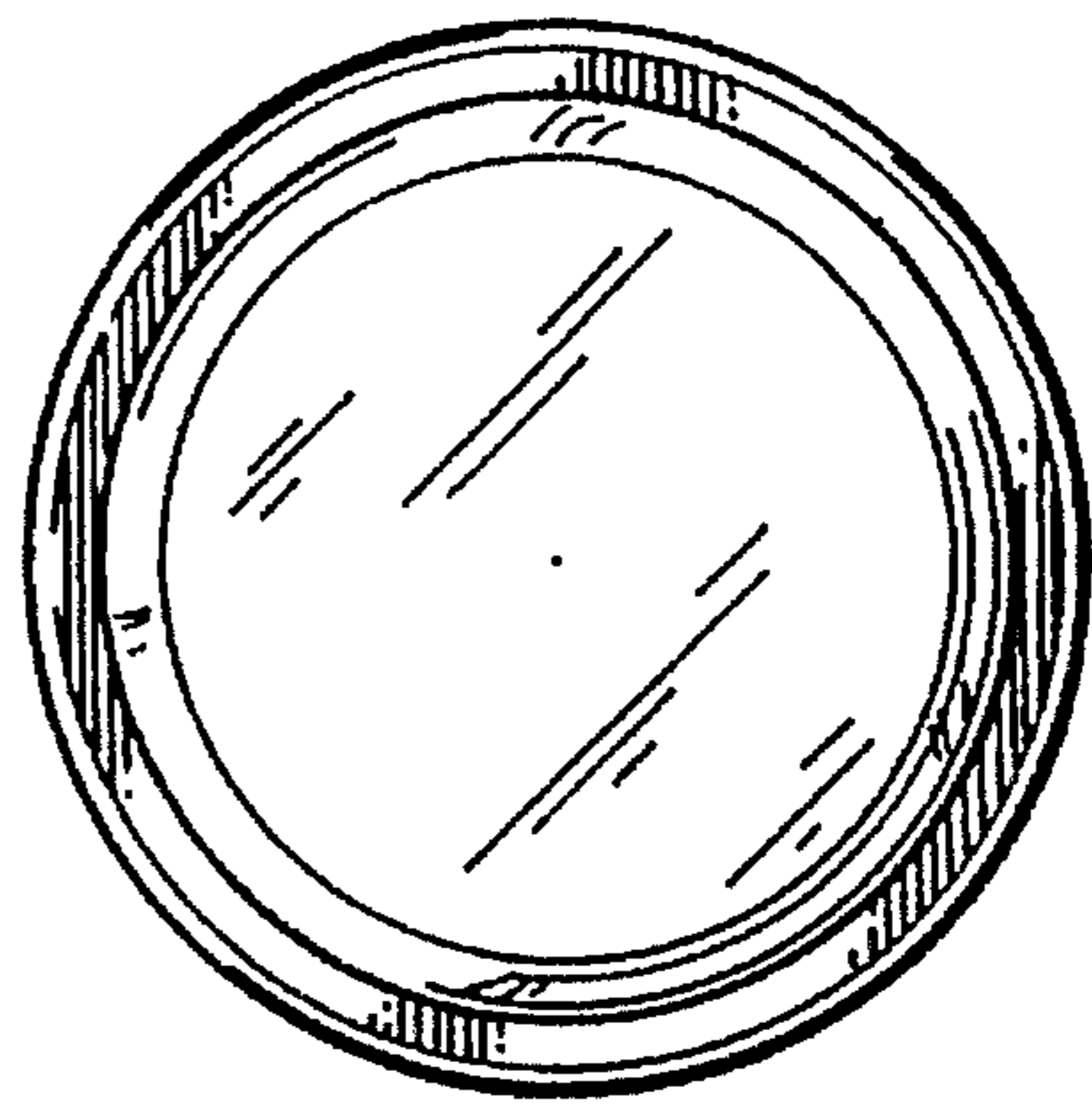


FIG. 2

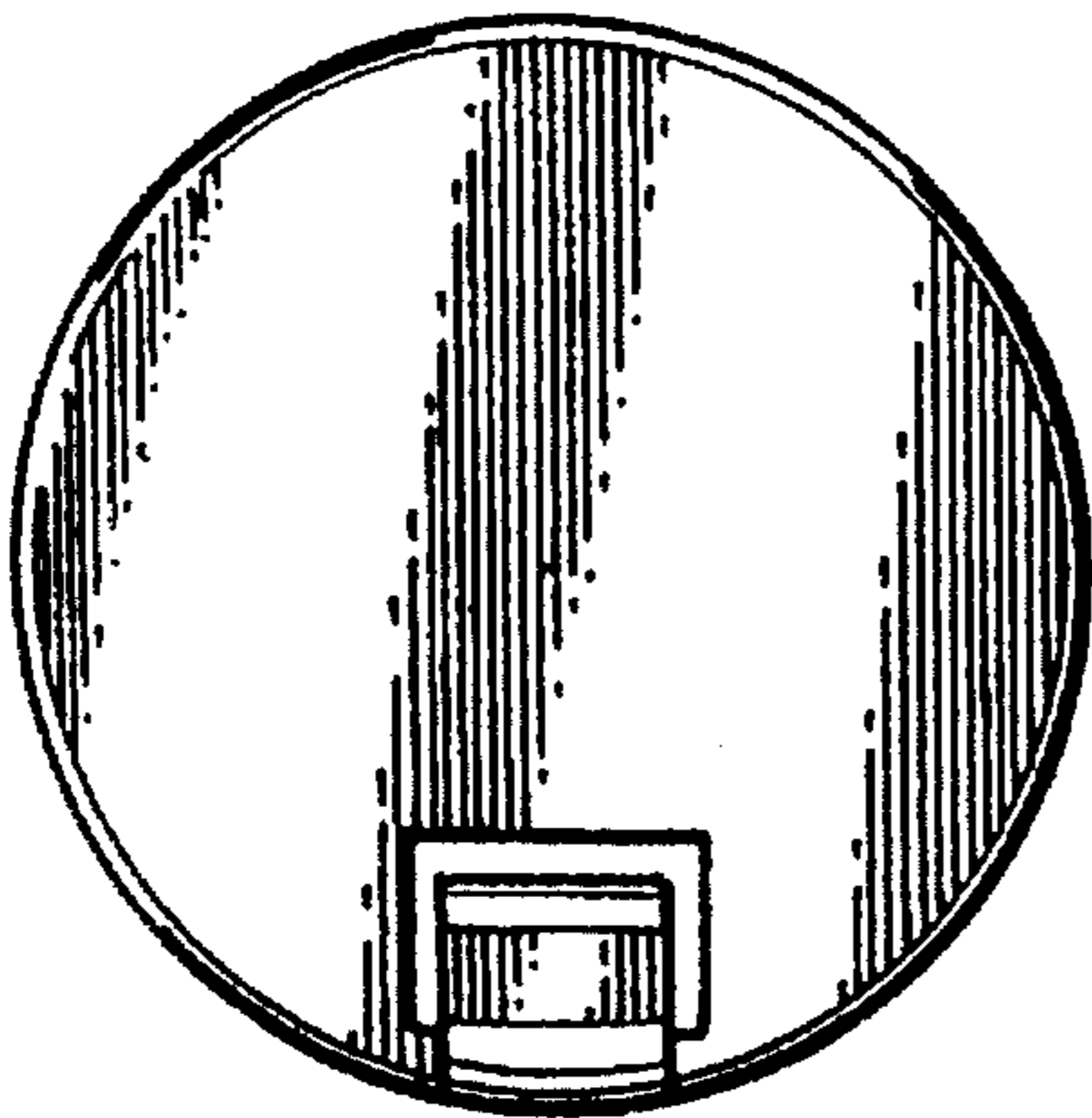


FIG. 3

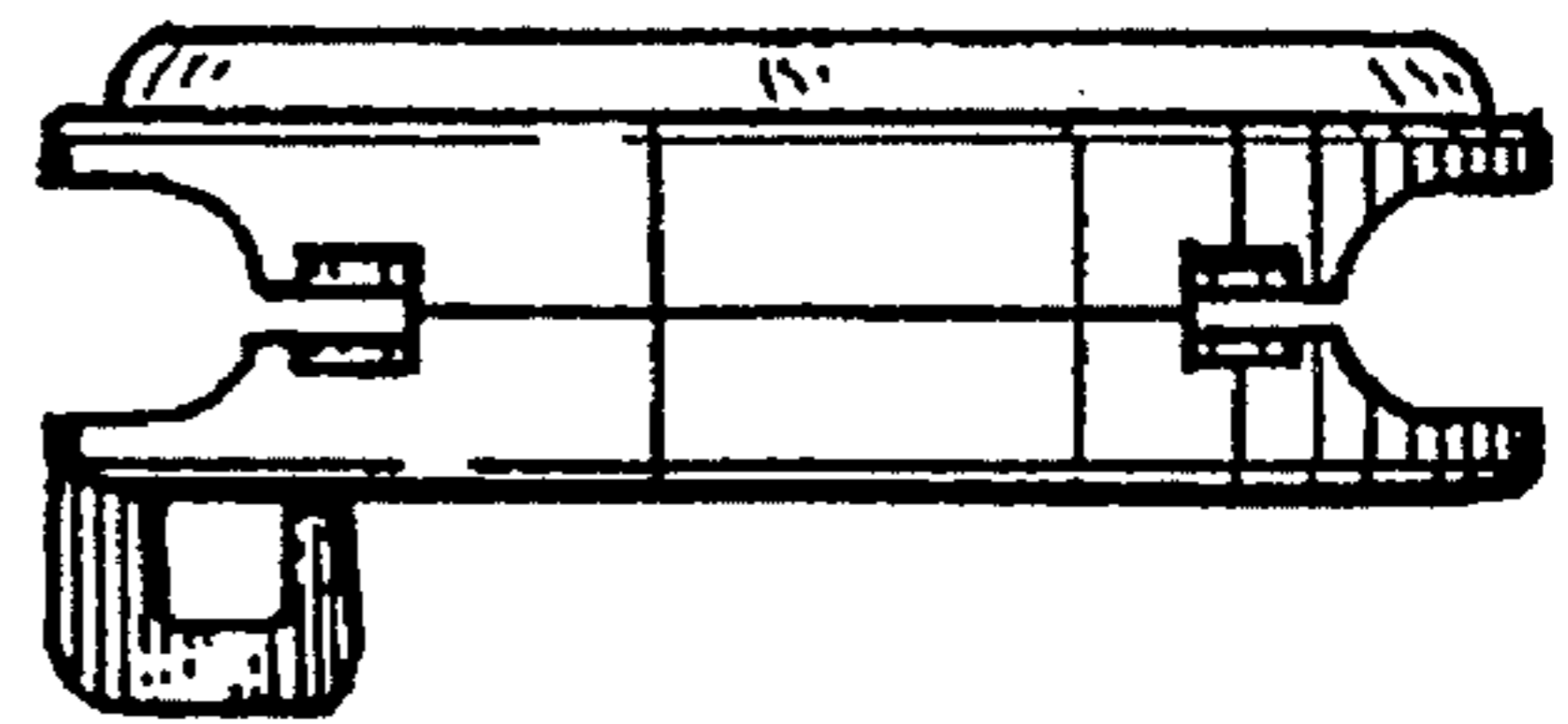


FIG. 4

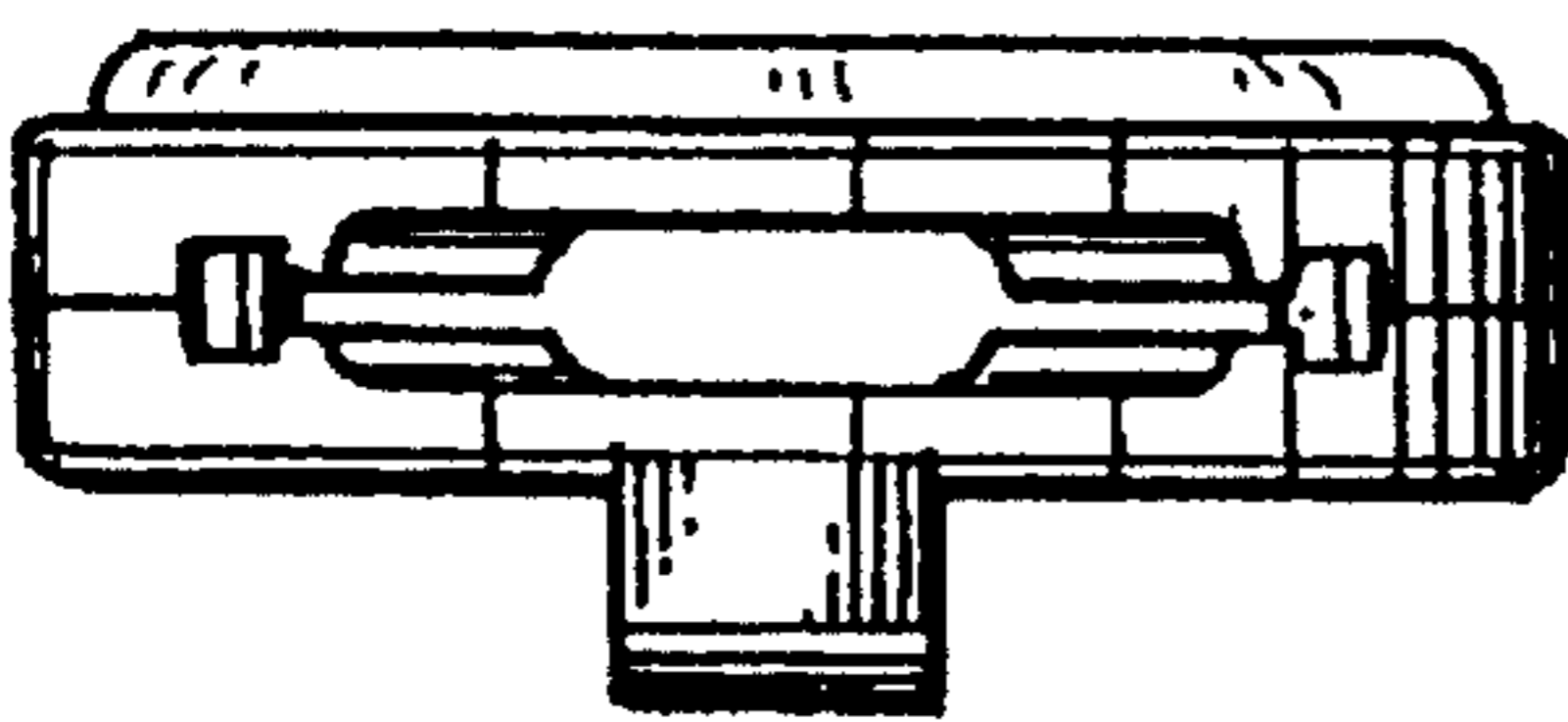


FIG. 5

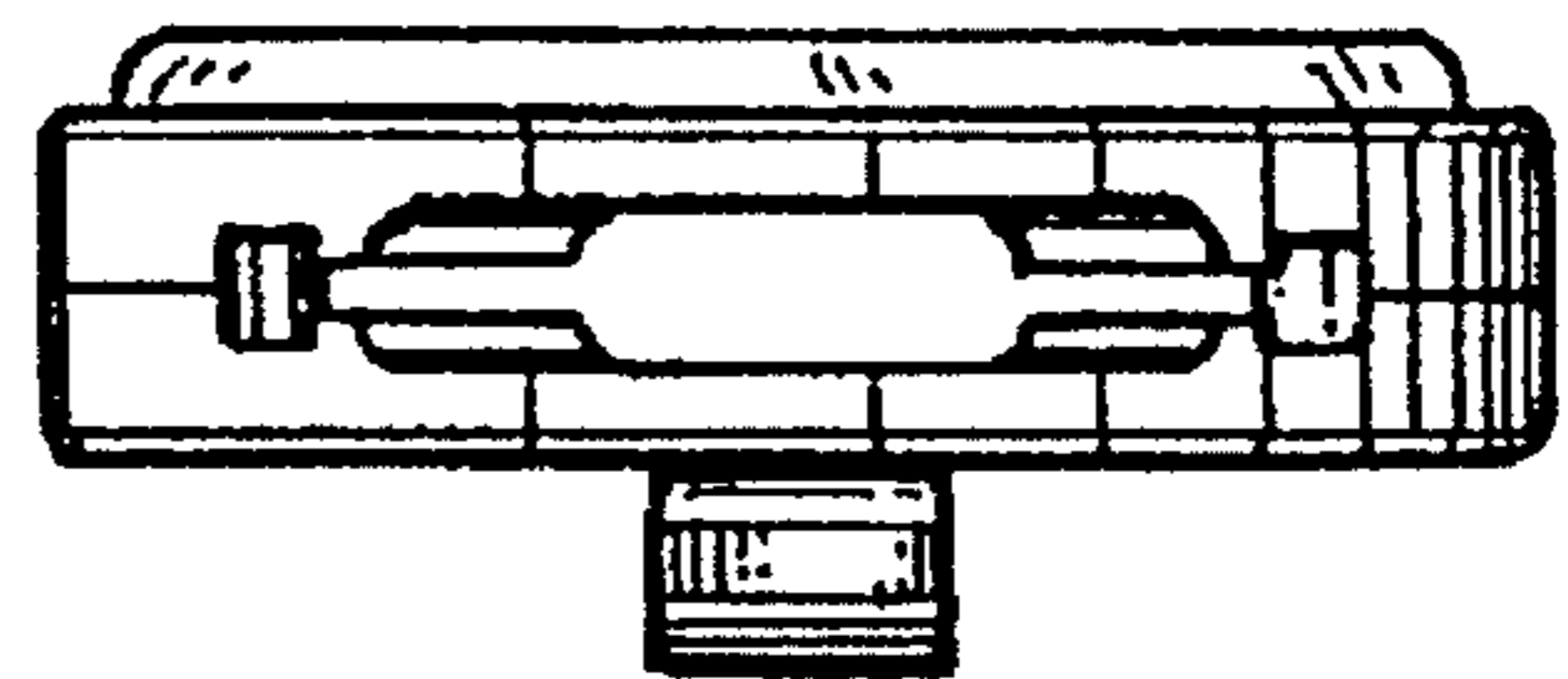


FIG. 6