



US00D367750S

United States Patent [19]

Choi et al.

[11] Patent Number: **Des. 367,750**

[45] Date of Patent: ****Mar. 5, 1996**

[54] **FORK LIFT TRUCK**

4,043,472 8/1977 Hoyt 414/785
4,506,750 3/1985 Leskouec 180/89.17

[75] Inventors: **Seok-Gon Choi; Jae-Won Noh**, both of Incheon, Rep. of Korea

[73] Assignee: **Daewoo Heavy Industries Co., Ltd.**, Incheon, Rep. of Korea

Primary Examiner—A. Hugo Word
Assistant Examiner—Robin V. Taylor
Attorney, Agent, or Firm—Anderson Kill Olick & Oshinsky

[**] Term: **14 Years**

[57] **CLAIM**

[21] Appl. No.: **25,009**

The ornamental design for a fork lift truck, as shown and described.

[22] Filed: **Jun. 27, 1994**

DESCRIPTION

[30] **Foreign Application Priority Data**

FIG. 1 is a front and right side perspective view of a fork lift truck showing our new design;

Dec. 27, 1993 [KR] Rep. of Korea 93-26734

FIG. 2 is a front elevational view thereof;

[52] U.S. Cl. **D34/34**

FIG. 3 is a rear elevational view thereof;

[58] Field of Search D34/28, 34, 37;
414/572, 785, 607, 529; 180/89.12, 89.14,
89.17

FIG. 4 is a left side elevational view thereof;

FIG. 5 is a right side elevational view thereof;

FIG. 6 is a top plan view thereof; and,

FIG. 7 is a bottom plan view thereof.

[56] **References Cited**

U.S. PATENT DOCUMENTS

D. 231,340 4/1974 Haynes D34/34

1 Claim, 5 Drawing Sheets

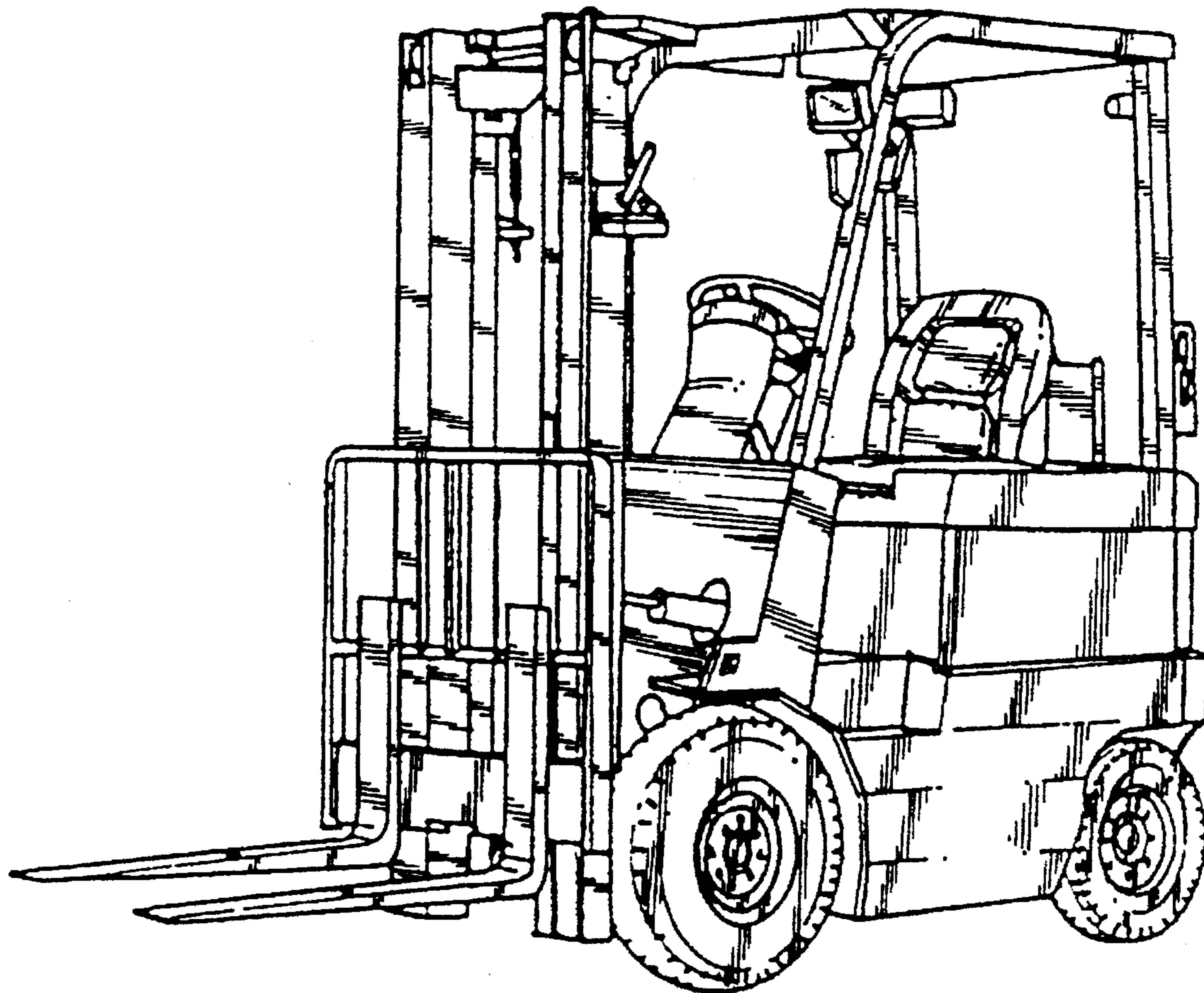


FIG. 1

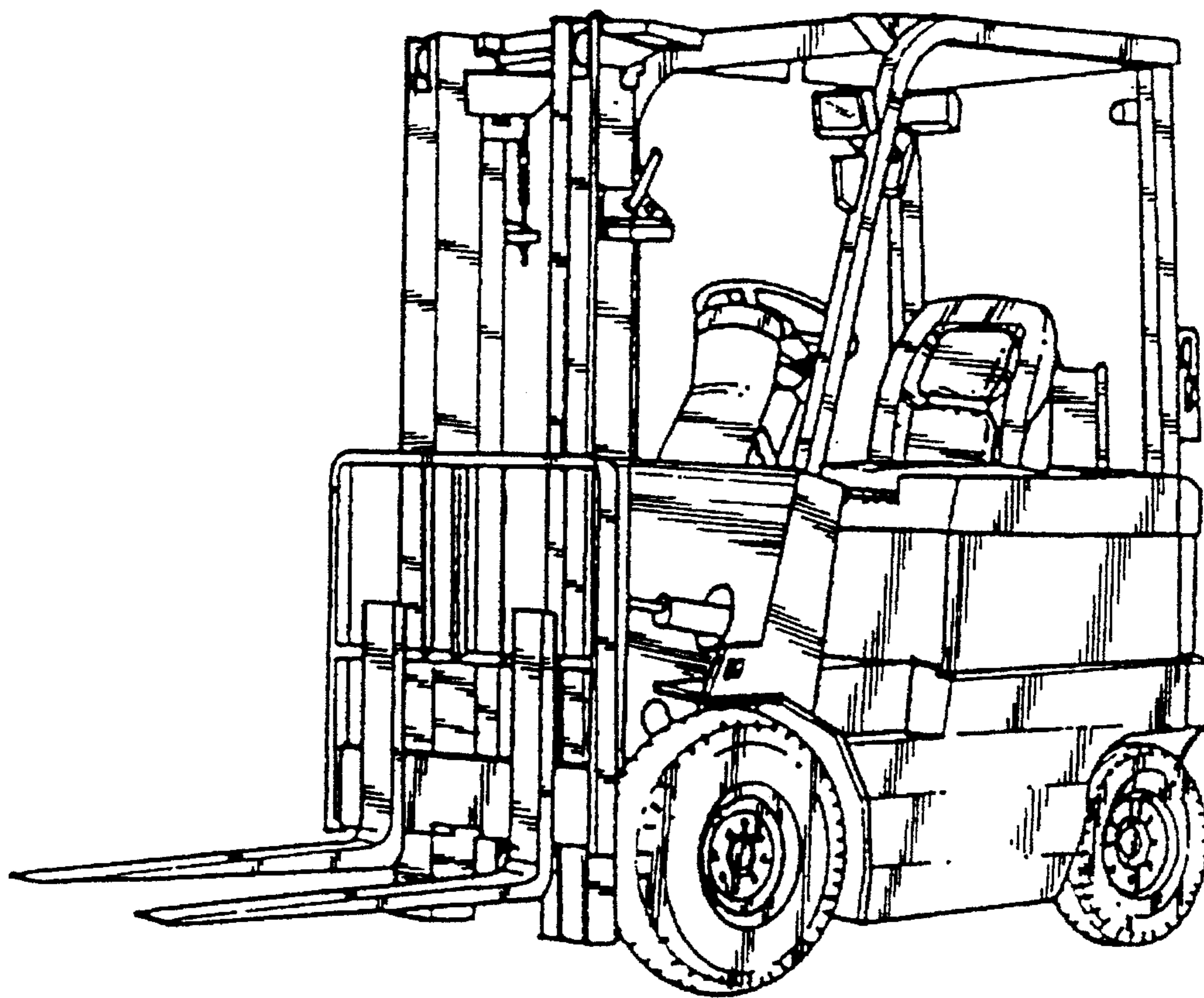


FIG. 3

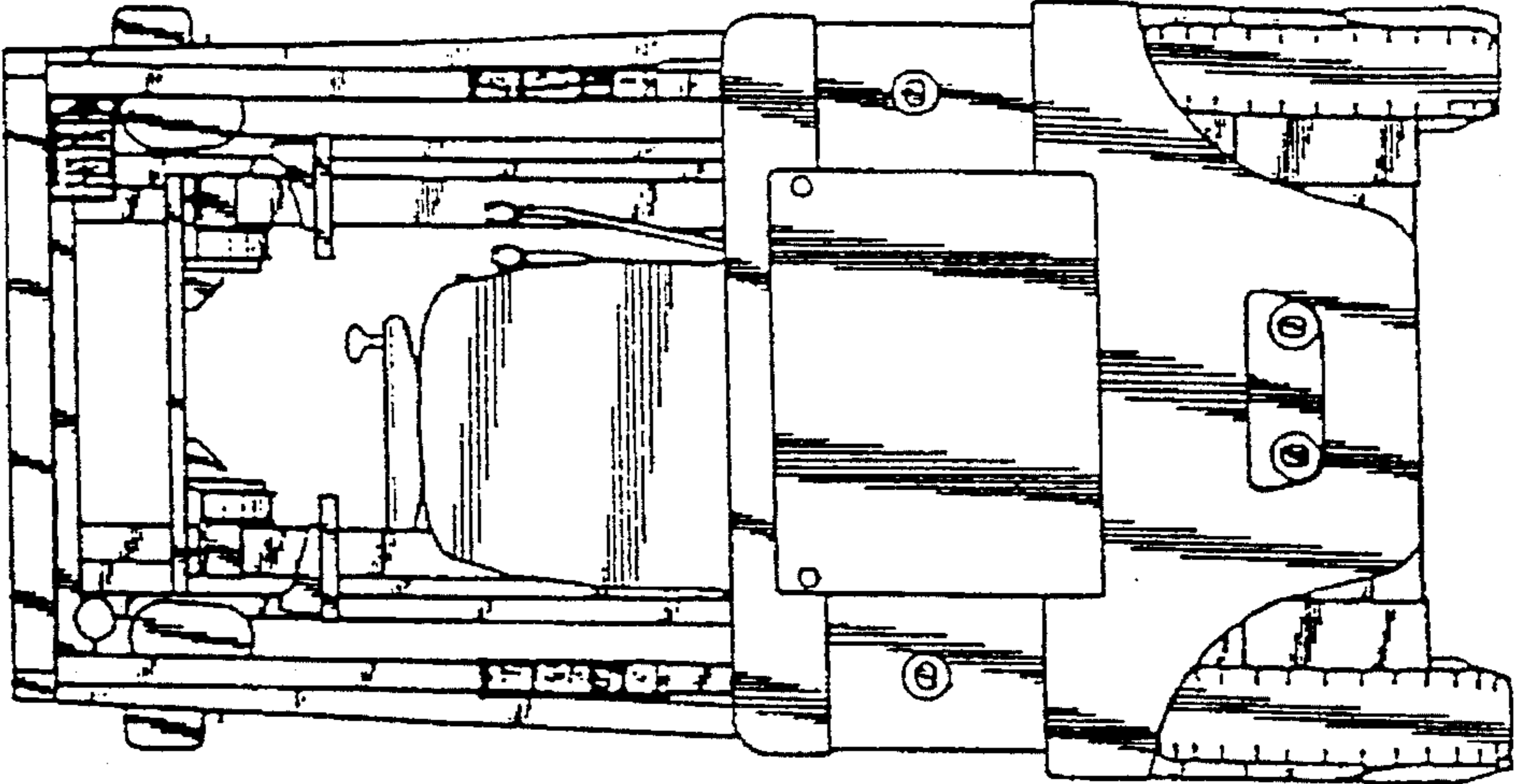


FIG. 2

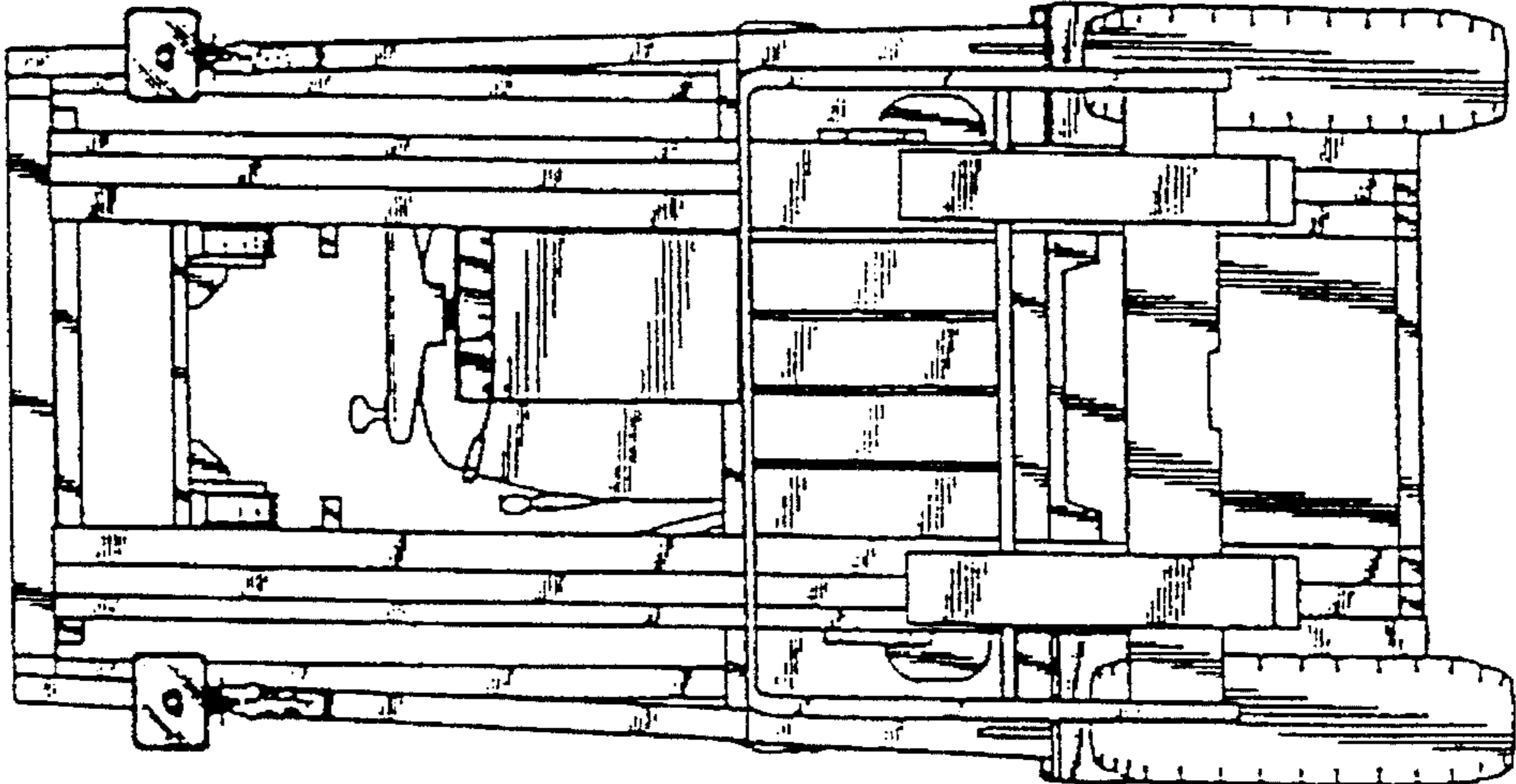


FIG. 4

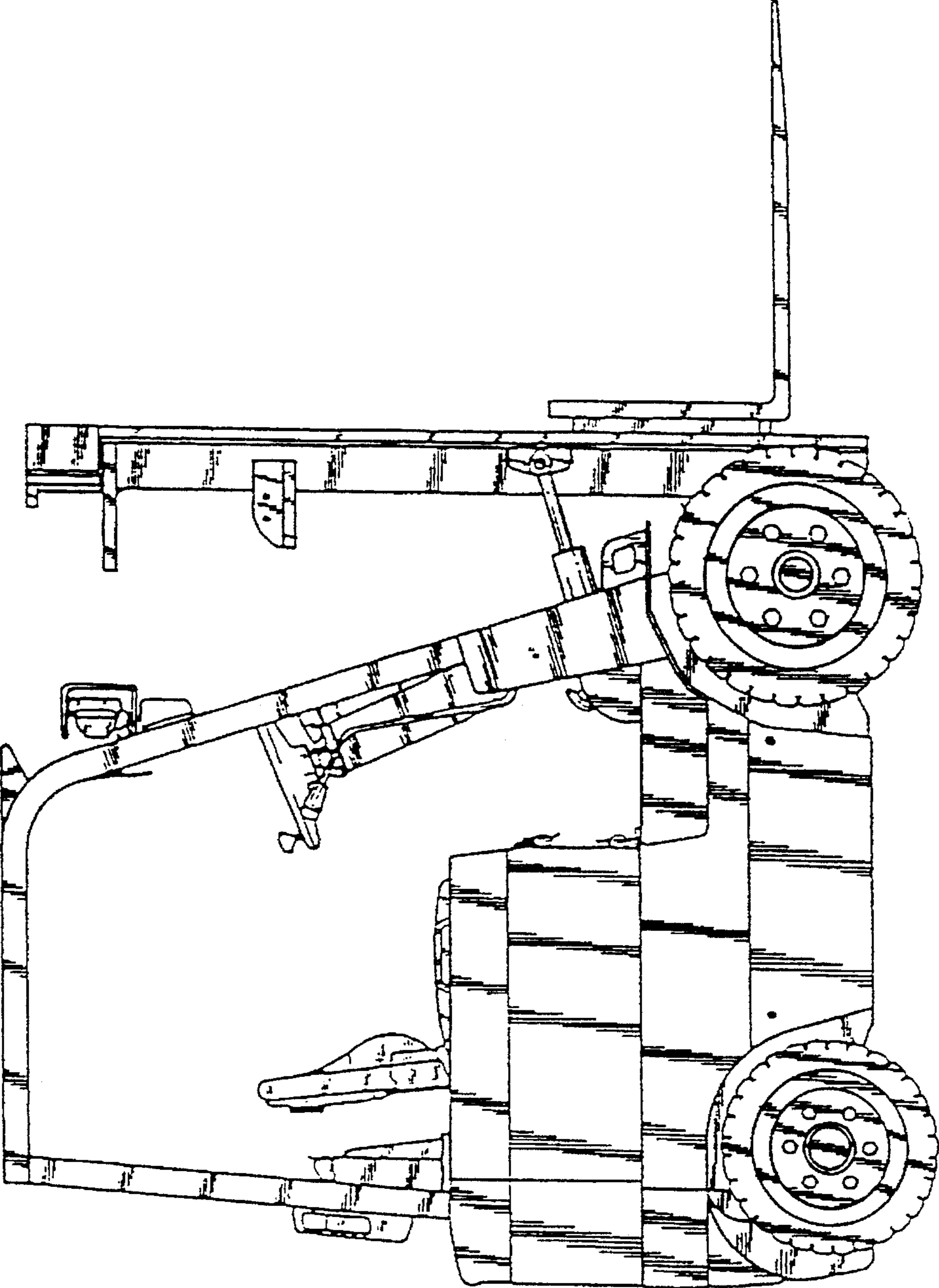
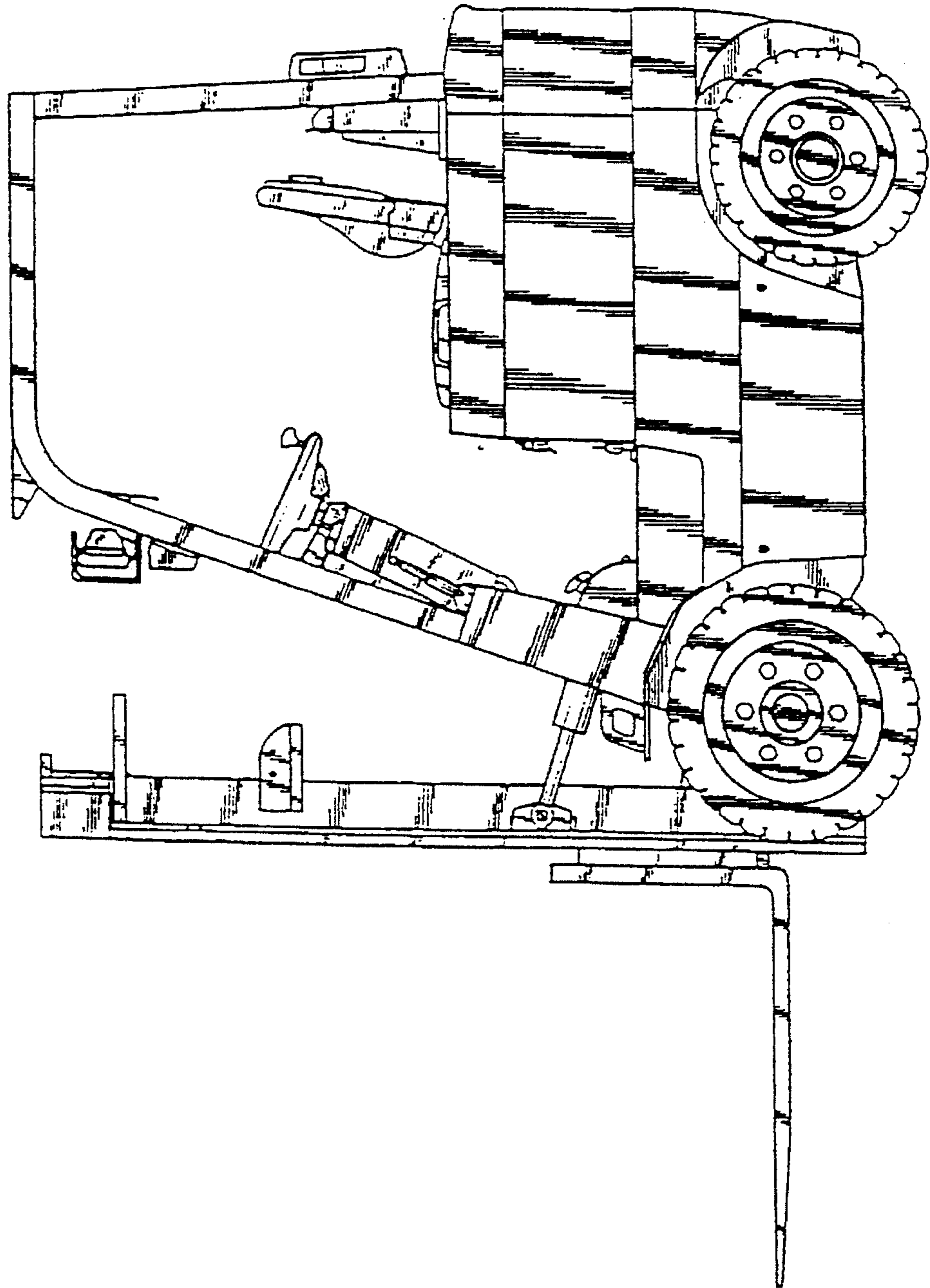


FIG. 5



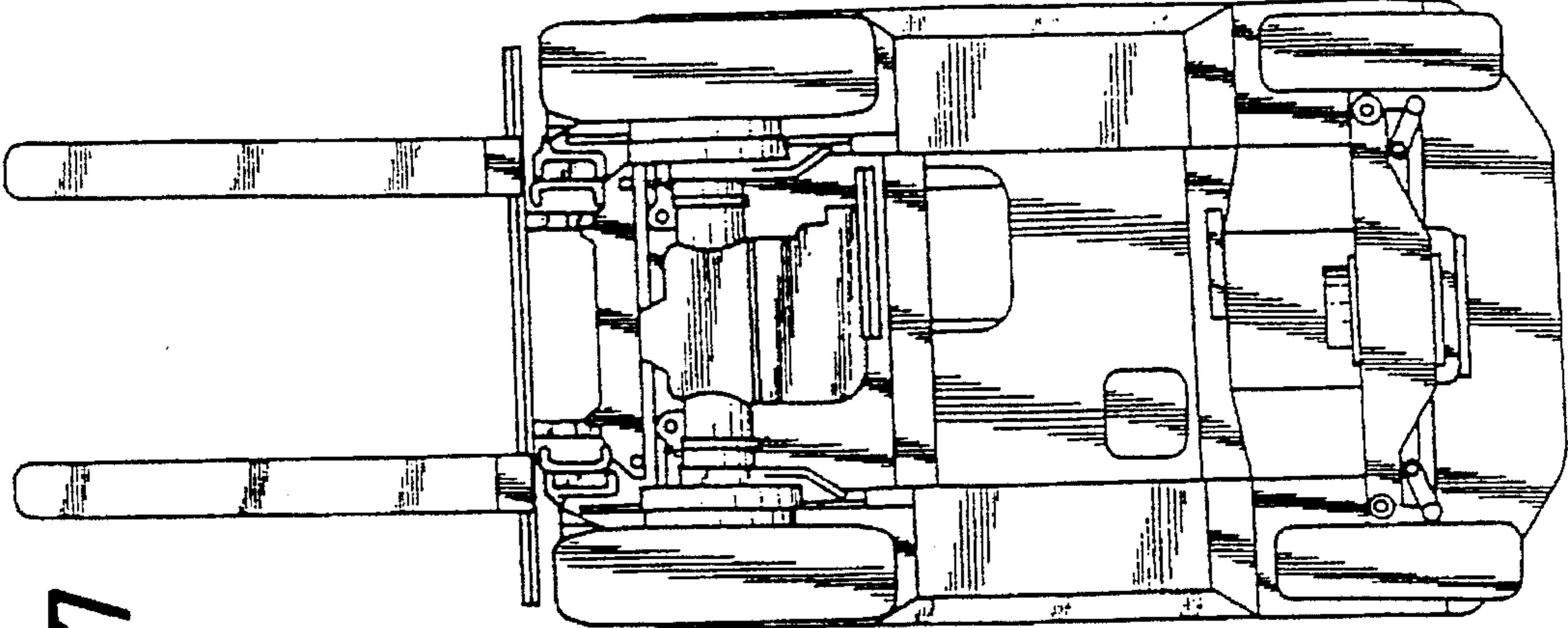


FIG. 7

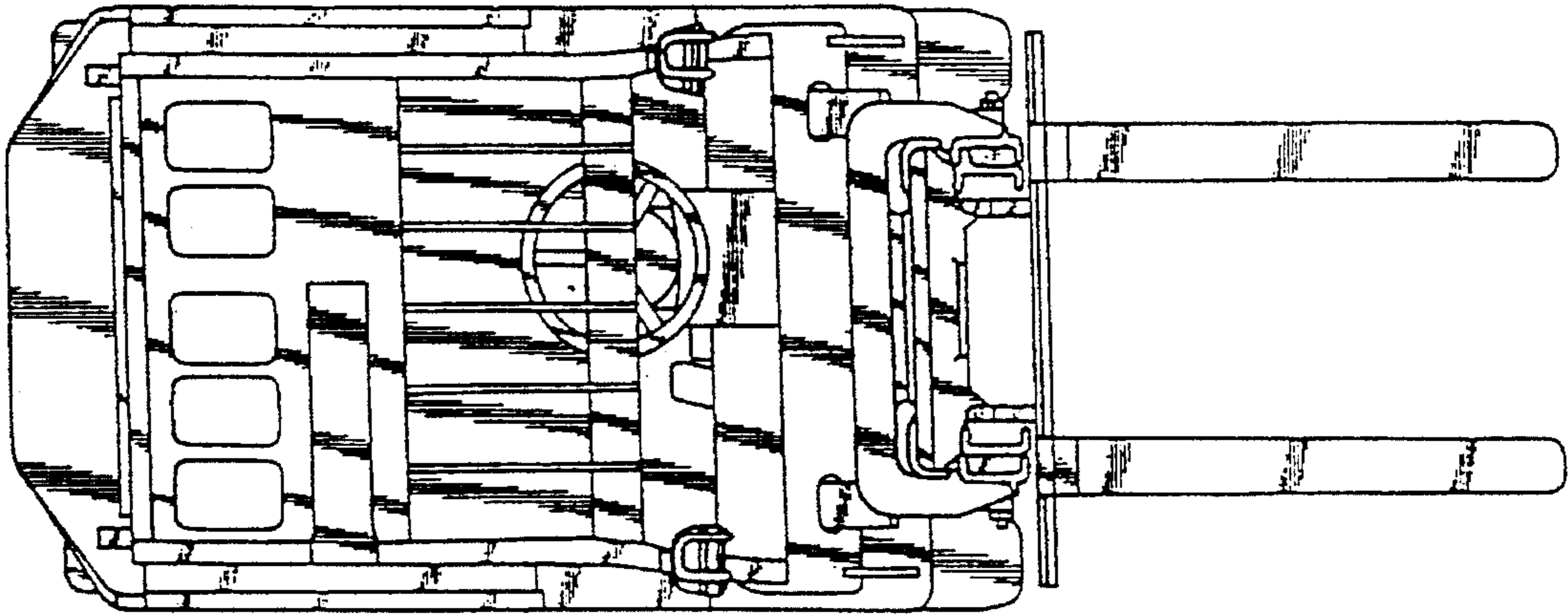


FIG. 6