



US00D367749S

United States Patent [19]
Gibbons et al.

[11] **Patent Number: Des. 367,749**
[45] **Date of Patent: **Mar. 5, 1996**

[54] **SUPPLY RACK**

FOREIGN PATENT DOCUMENTS

[75] Inventors: **Louis A. Gibbons**, Advance; **John Leonard**, Lexington, both of N.C.
[73] Assignee: **Ingersoll-Rand Company**, Woodcliff Lake, N.J.
[**] Term: **14 Years**

96505 12/1083 European Pat. Off. 414/276

Primary Examiner—Kay H. Chin
Attorney, Agent, or Firm—John J. Selko; Michael M. Gnibus

[21] Appl. No.: **31,717**
[22] Filed: **Dec. 5, 1994**
[52] U.S. Cl. **D34/28; D34/29; D34/27**
[58] **Field of Search** D34/28, 29, 27;
280/5.2, 5.22, 5.24; 414/276, 267, 286,
495

[57] **CLAIM**
The ornamental design for a supply rack, as shown and described.

DESCRIPTION

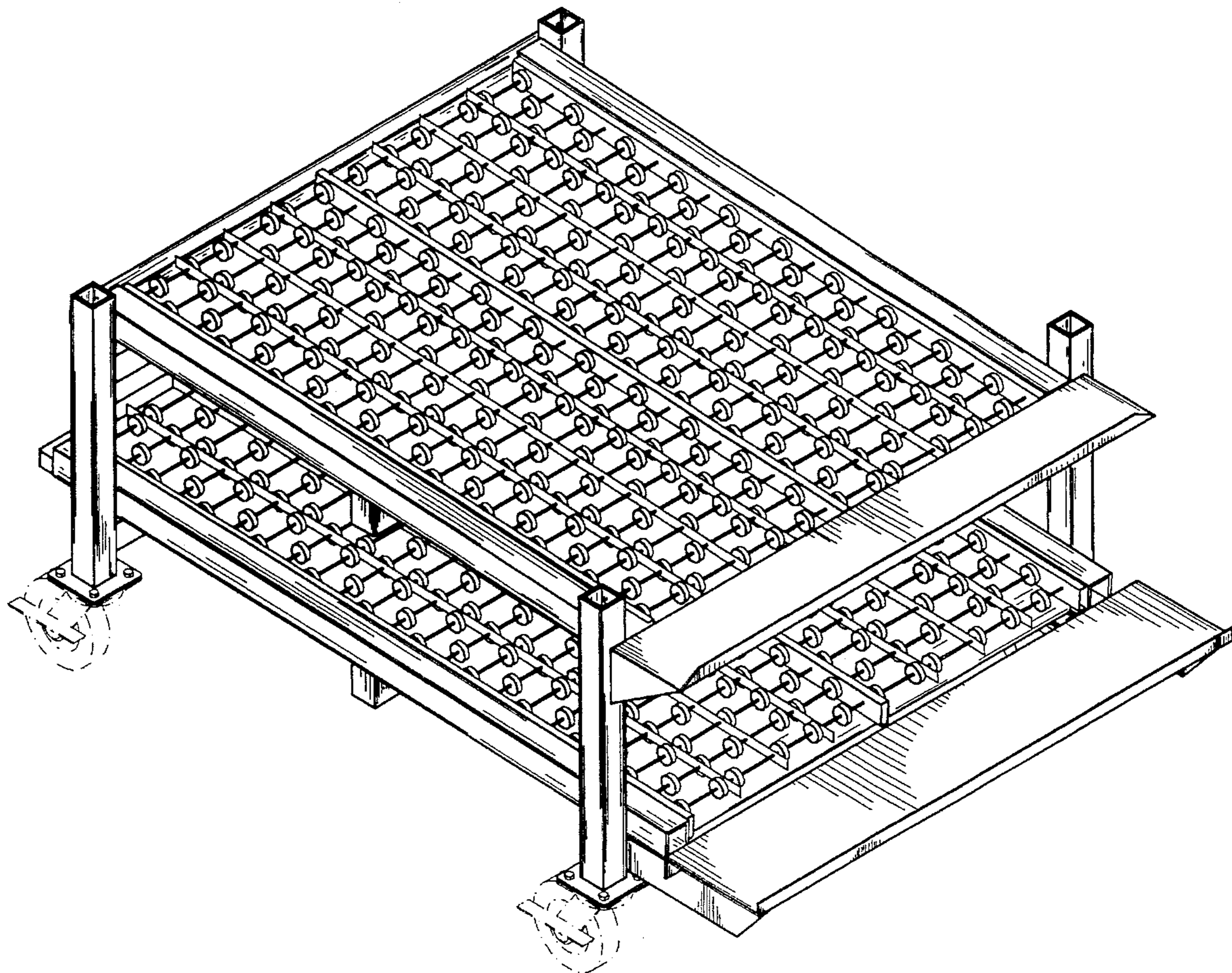
[56] **References Cited**

U.S. PATENT DOCUMENTS

4,770,427 9/1988 Howell et al. 414/495
5,111,963 5/1992 Grace, Sr. 414/276
5,141,118 8/1992 Gay 414/276

FIG. 1 is a perspective view of a supply rack showing our new design;
FIG. 2 is a right side view thereof, which is a mirror image of the left side not shown;
FIG. 3 is a rear view thereof;
FIG. 4 is a front view thereof;
FIG. 5 is a top view thereof; and,
FIG. 6 is a bottom view thereof.
[The broken line showing of elements are for illustrative purposes only and form no part of the claimed invention.]

1 Claim, 5 Drawing Sheets



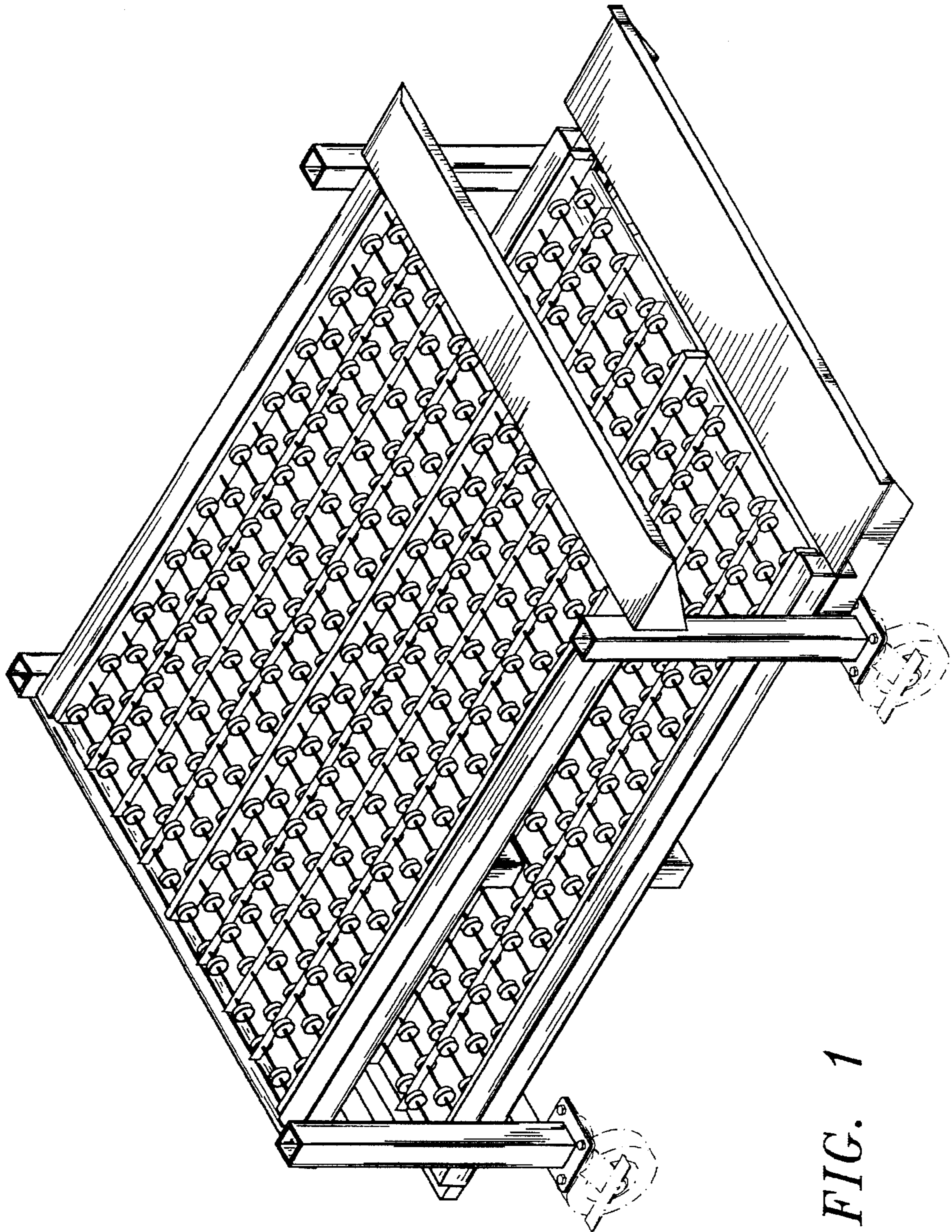


FIG. 1

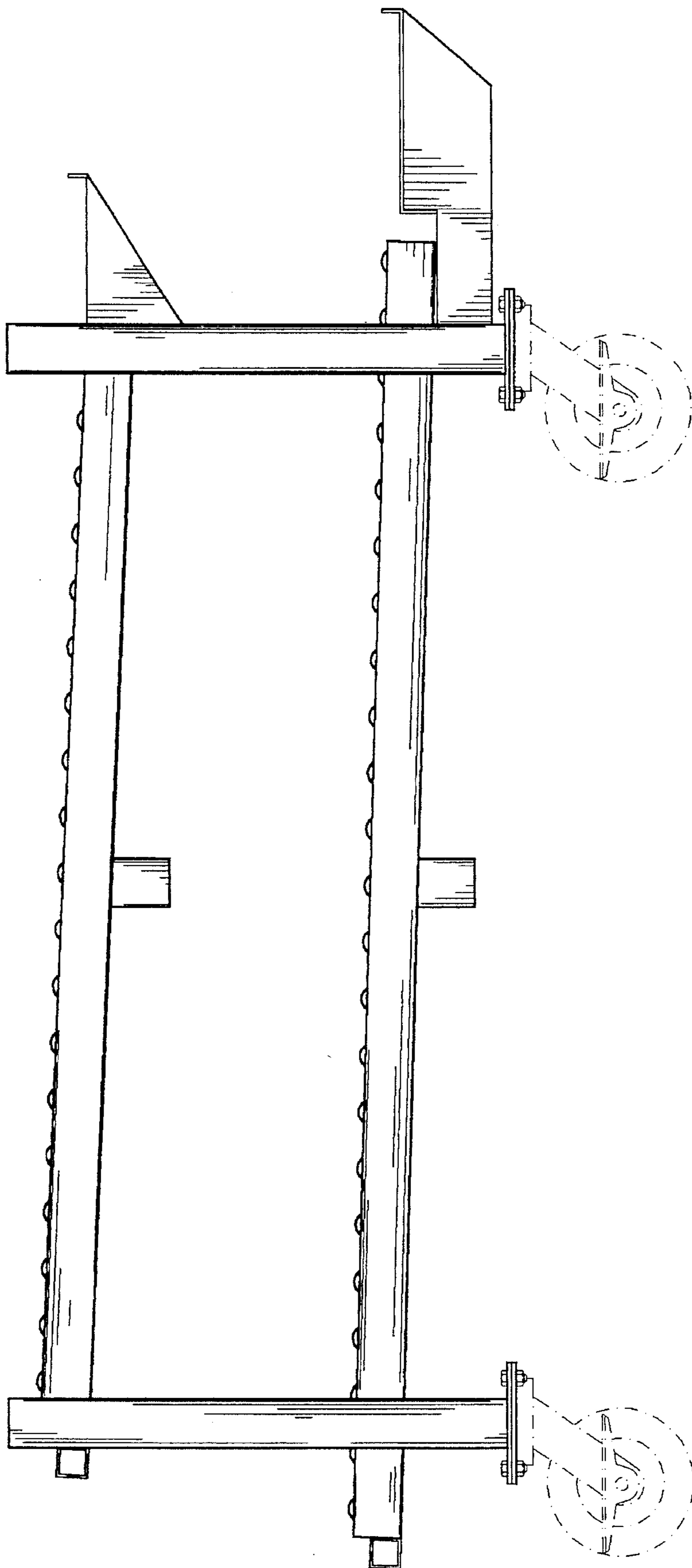


FIG. 2

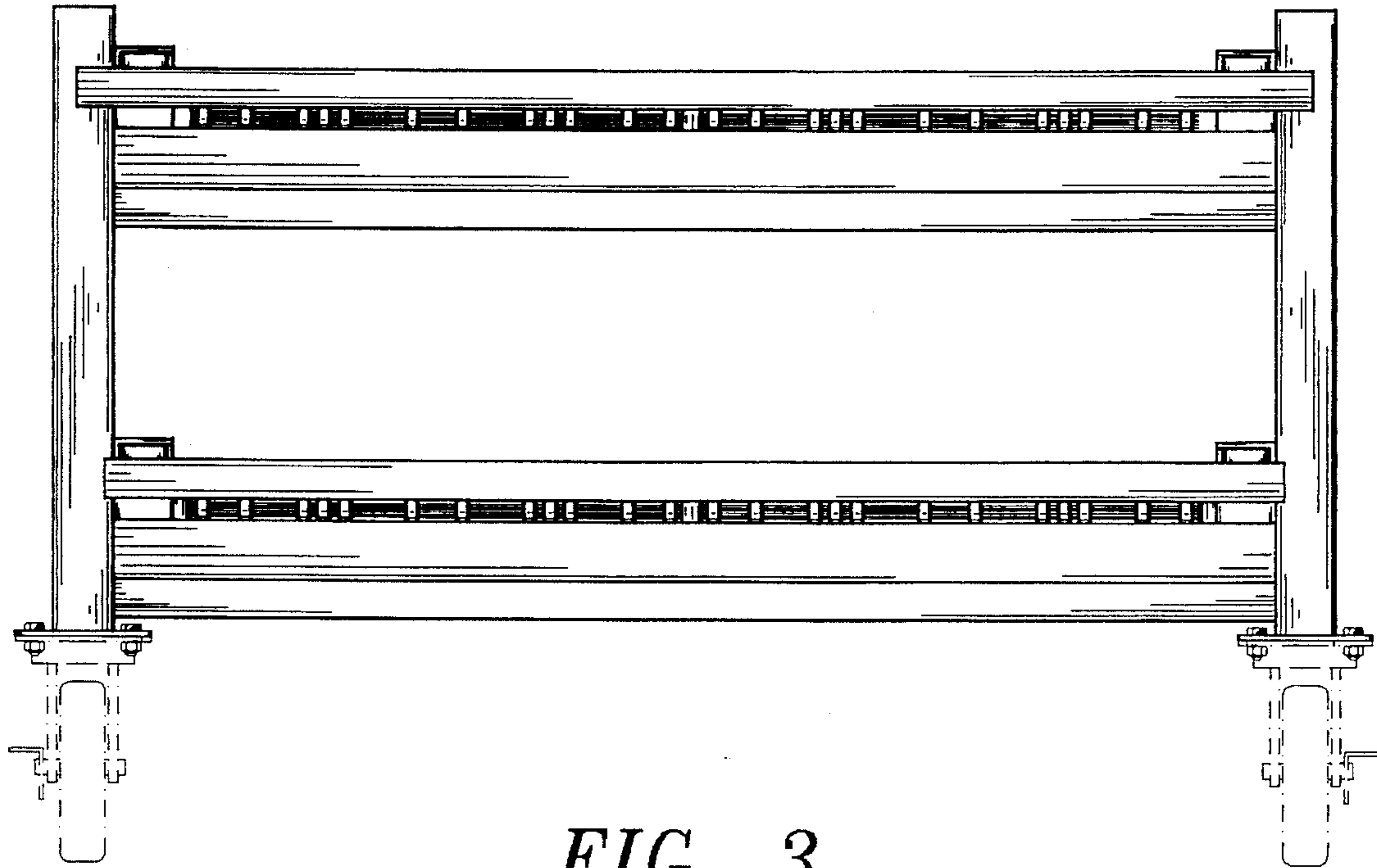


FIG. 3

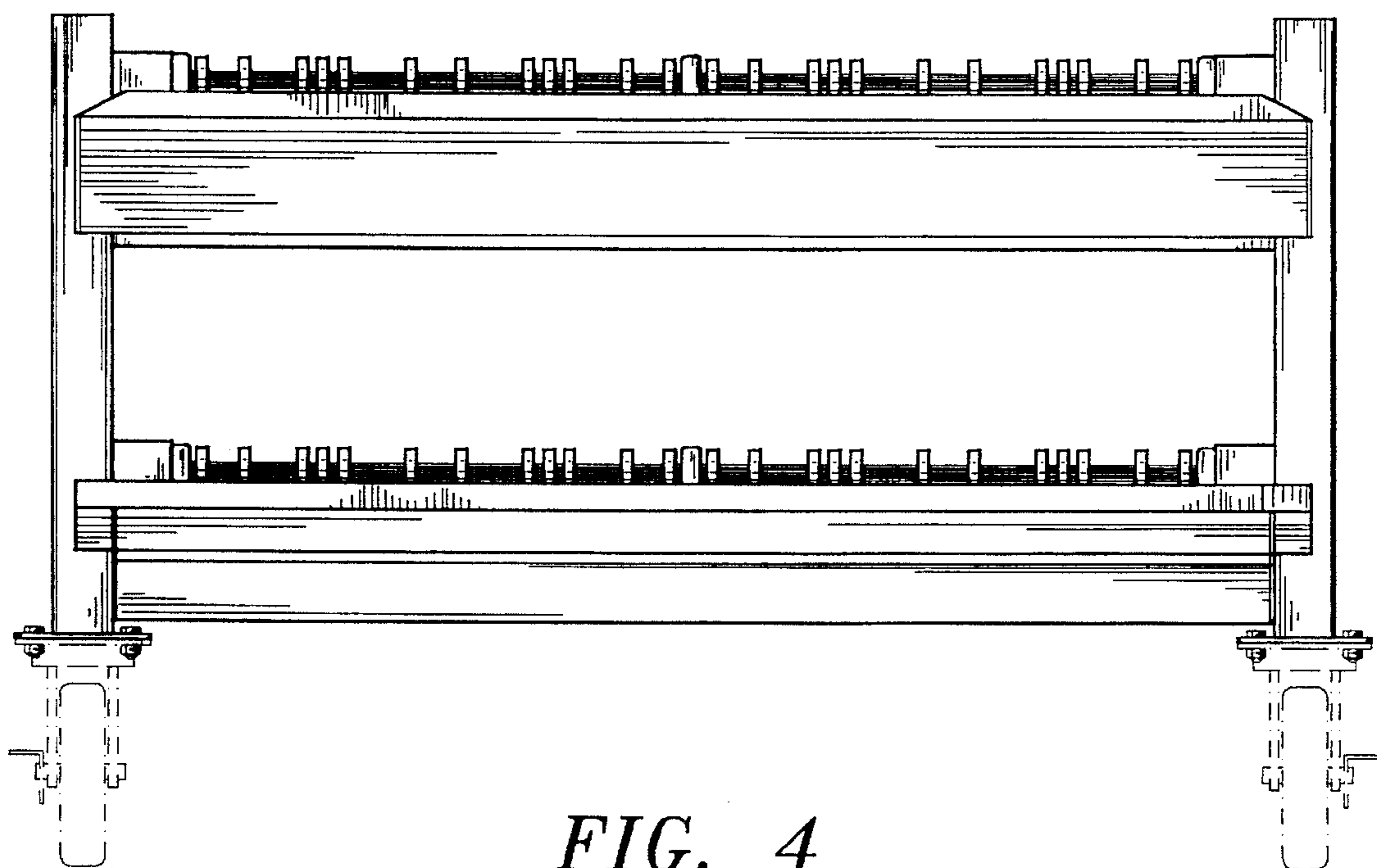


FIG. 4

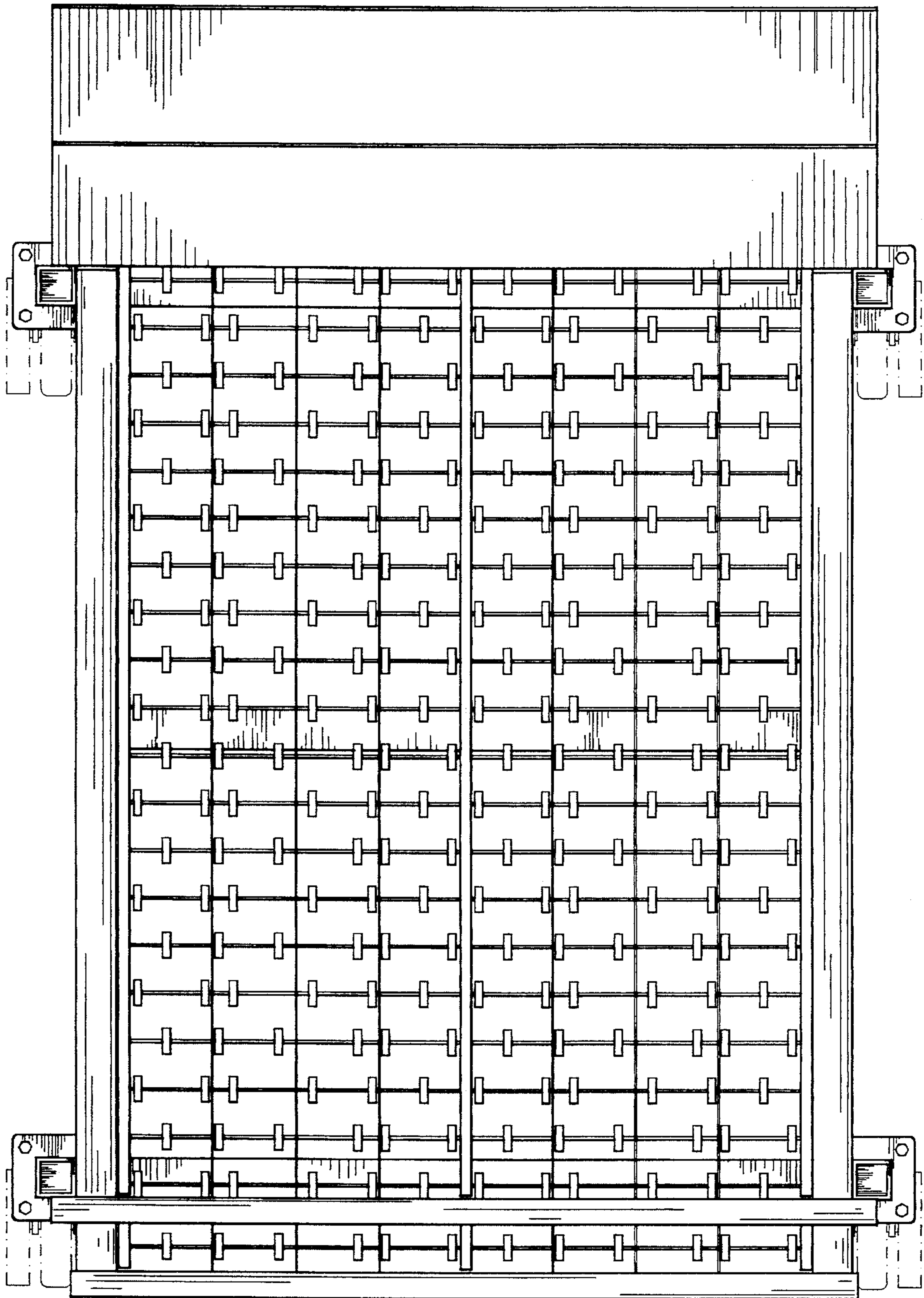


FIG. 5

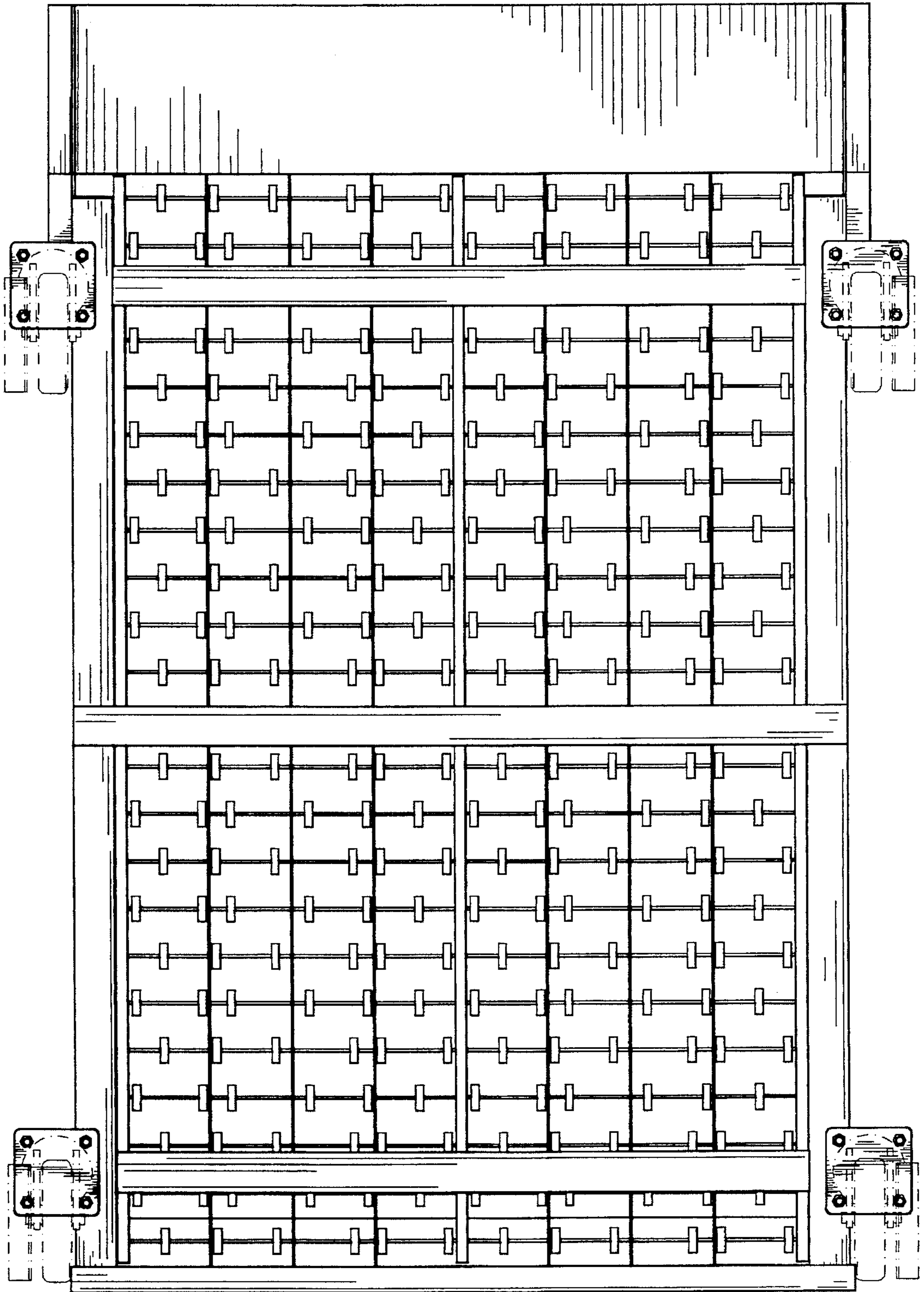


FIG. 6