



US00D367747S

# United States Patent [19]

[11] Patent Number: **Des. 367,747**

Poskocil et al.

[45] Date of Patent: **\*\*Mar. 5, 1996**

[54] **THIRTY QUART INSTITUTIONAL MIXER BOWL HOIST**

5,199,533 4/1993 Wilke ..... D34/28  
5,369,821 12/1994 Richards et al. .... 5/81.1

[76] Inventors: **Berta Poskocil**, 903 Pineknot La.;  
**Elmer Redwine**, 920 Cooterneck Rd.,  
both of Heber Springs, Ark. 72543

*Primary Examiner*—A. Hugo Word  
*Assistant Examiner*—Robin V. Taylor  
*Attorney, Agent, or Firm*—Jerry L. Mahurin

[\*\*] Term: **14 Years**

[57] **CLAIM**

[21] Appl. No.: **21,449**

The ornamental design for a thirty quart institutional mixer bowl hoist, as shown and described.

[22] Filed: **Apr. 18, 1994**

### DESCRIPTION

[52] U.S. Cl. .... **D34/28**

[58] Field of Search ..... D34/28, 33; 5/81.1,  
5/89.1; 414/403-406, 785; 187/244, 243

FIG. 1 is a front isometric view of our thirty quart institutional mixer bowl hoist;

FIG. 2 is a rear isometric view of our hoist;

FIG. 3 is front elevational view of our hoist;

FIG. 4 is rear elevational view of our hoist;

FIG. 5 is right side elevational view of our hoist;

FIG. 6 is left side elevational view of our hoist; and,

FIG. 7 is a top plan view of our hoist.

### [56] References Cited

#### U.S. PATENT DOCUMENTS

D. 306,368	2/1990	Daugherty	.....	D34/28
D. 327,762	7/1992	Silbersky	.....	D34/28
4,399,572	8/1983	Johansson	.....	D34/33
4,837,874	6/1989	Giercarz	.....	D34/33
5,022,106	6/1991	Richards	.....	D34/33

**1 Claim, 6 Drawing Sheets**

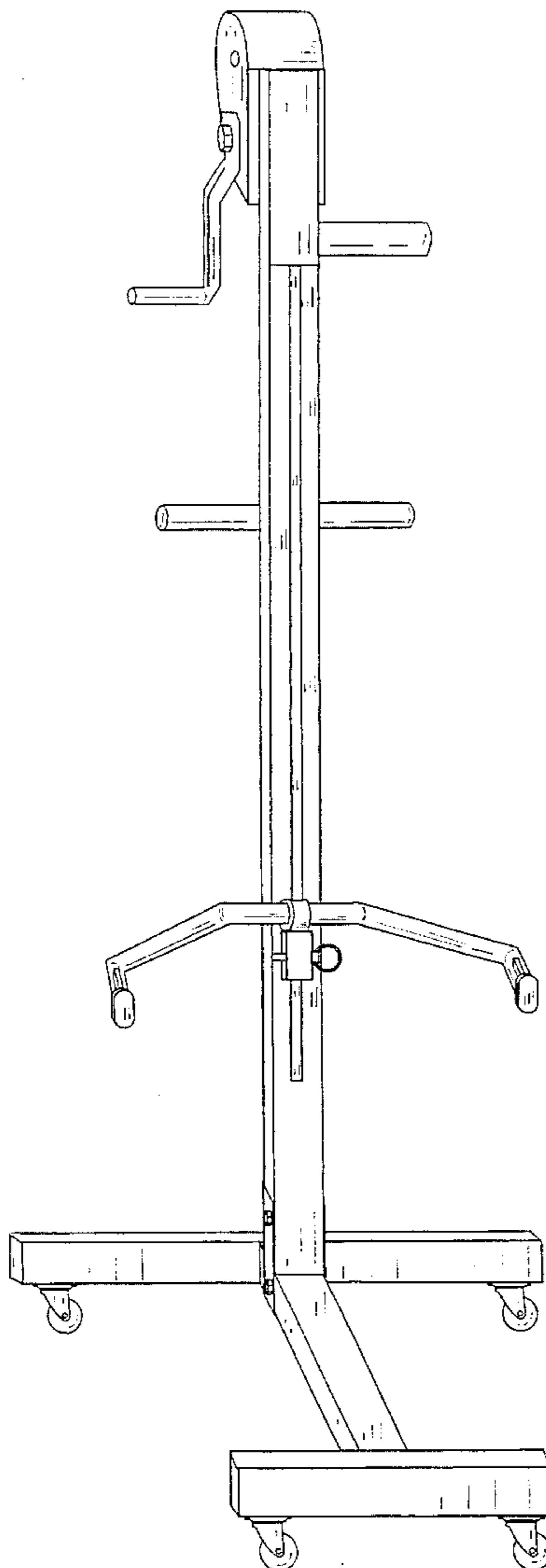


FIG. 1

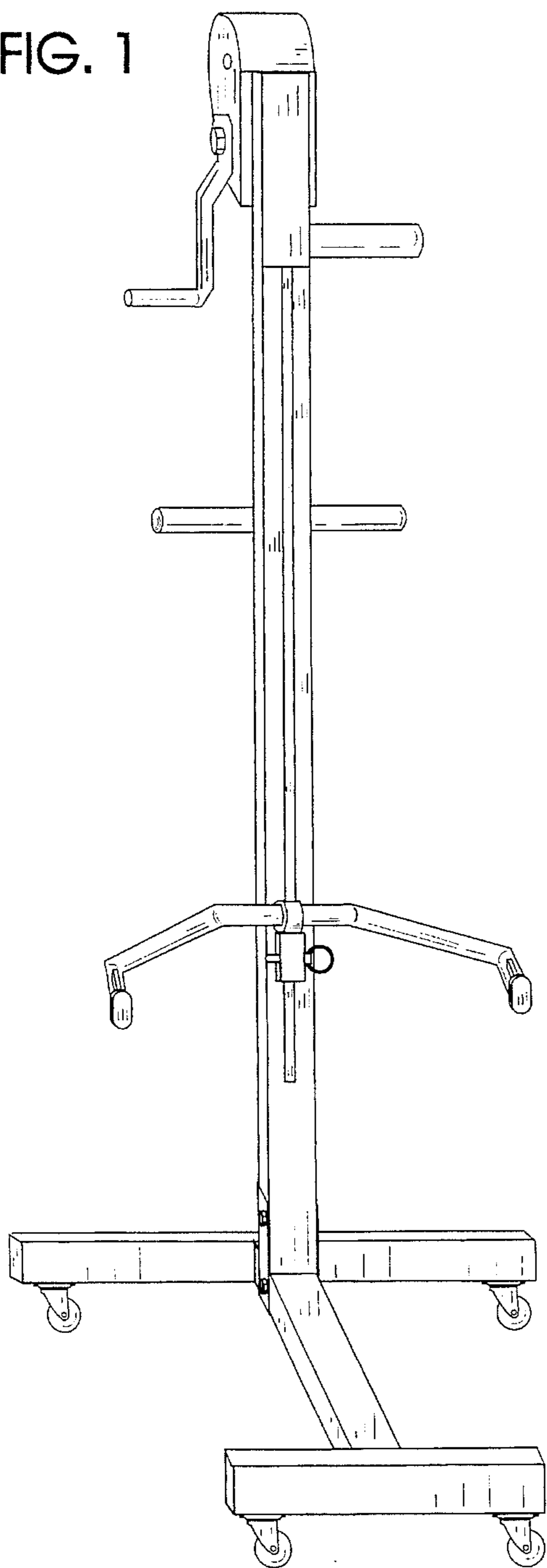


FIG. 2

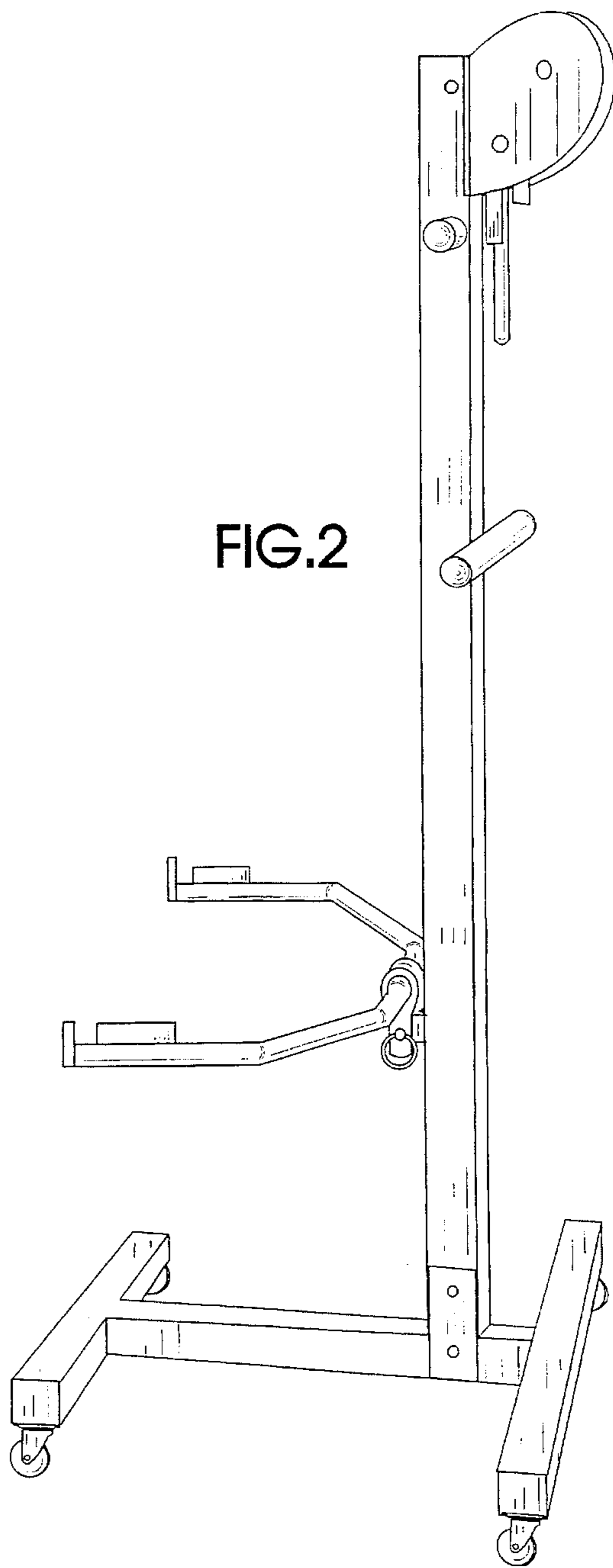


FIG. 3

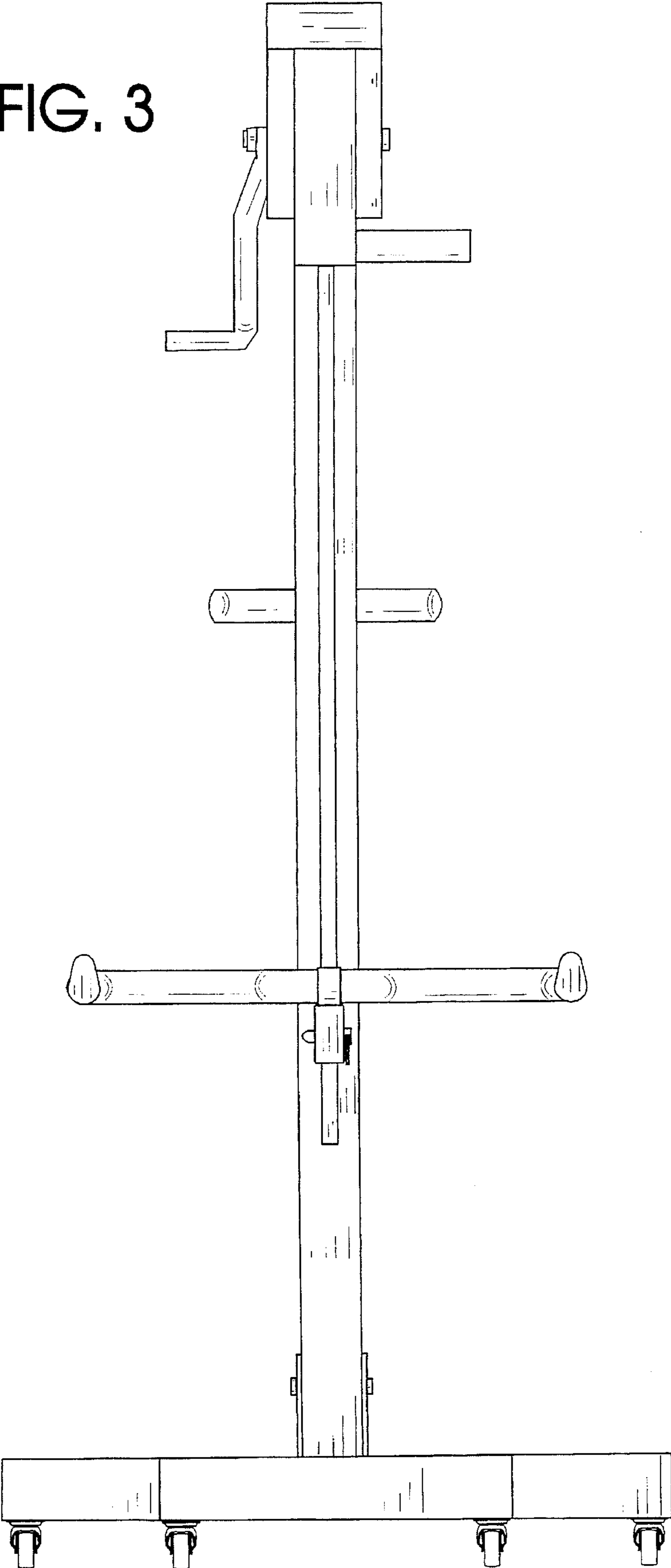
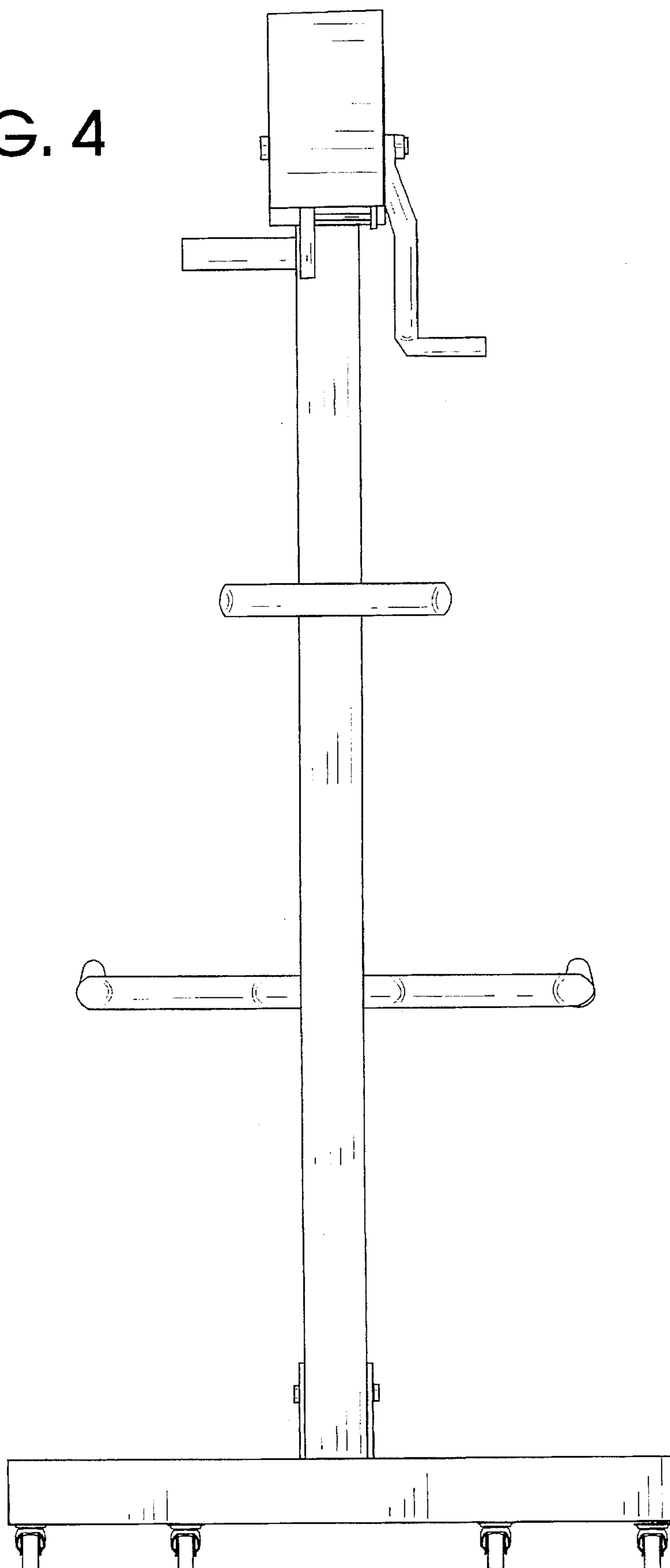


FIG. 4



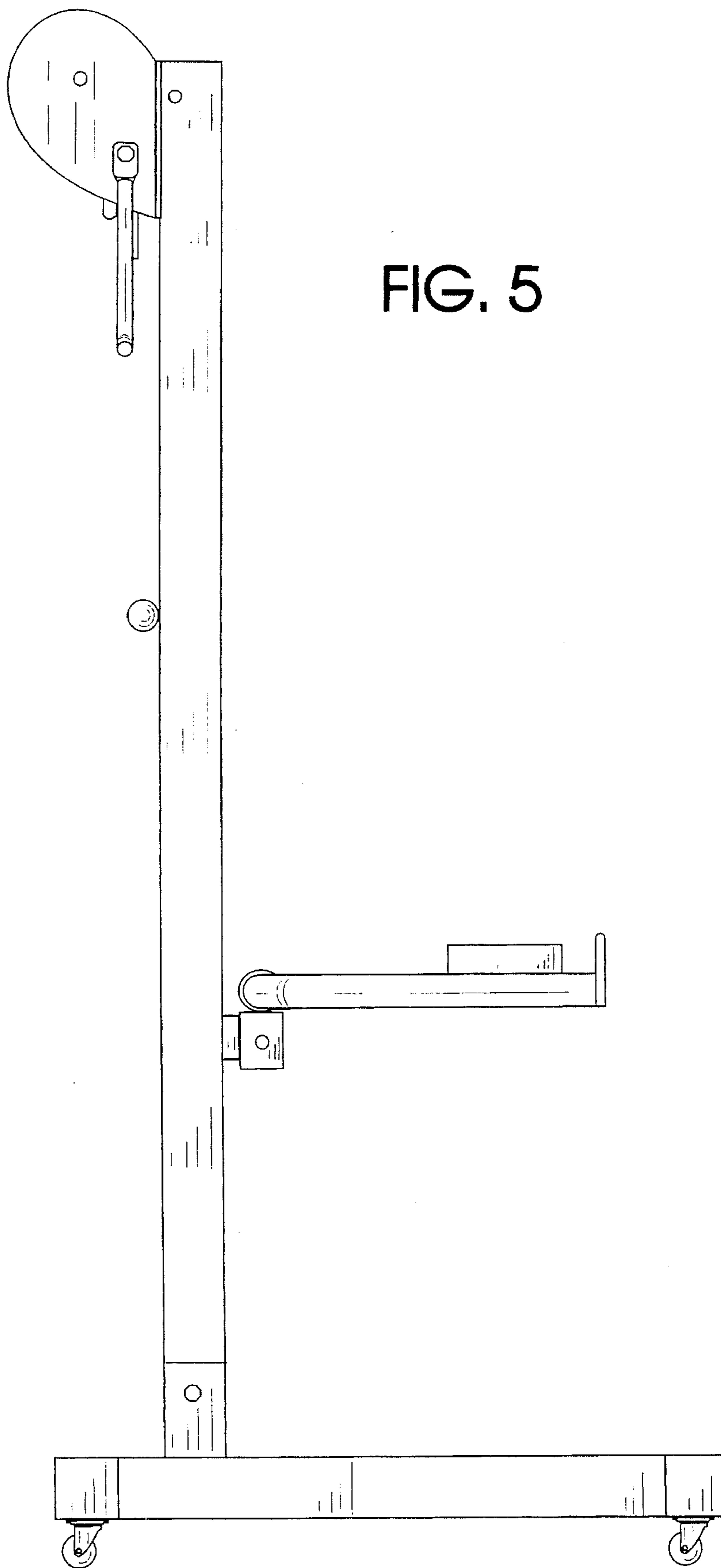


FIG. 5

FIG. 6

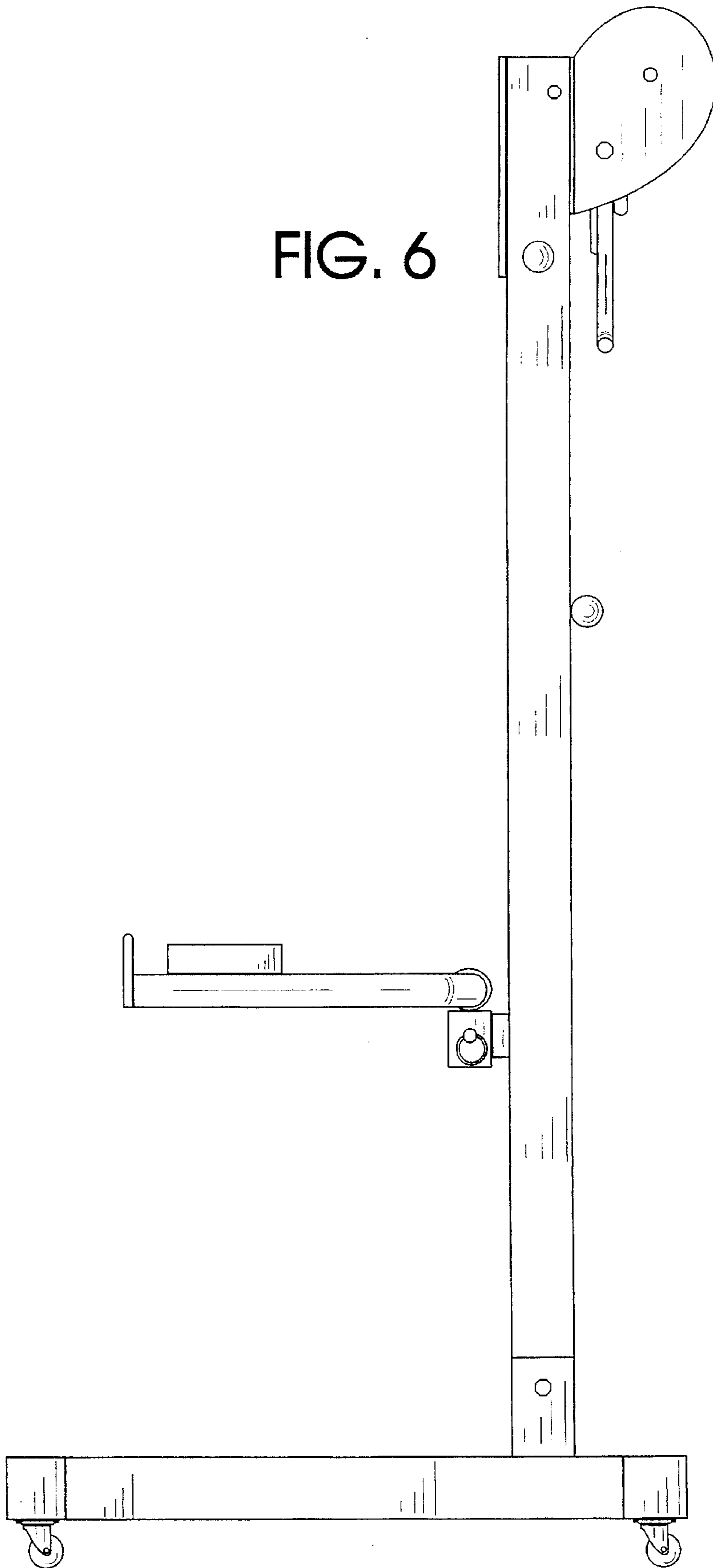


FIG. 7

