



US00D367746S

United States Patent [19]

[11] Patent Number: **Des. 367,746**

Walker, Jr.

[45] Date of Patent: ****Mar. 5, 1996**

[54] **HAND HELD BAGGER**

4,741,565	5/1988	Bagg .	
4,759,519	7/1988	Cheng	D34/10
4,896,912	1/1990	Parnell .	
4,962,956	10/1990	Scripter	248/99

[76] Inventor: **Robert J. Walker, Jr.**, Rte. 3 Box 814
Hurst Rd., Callahan, Fla. 32011

[**] Term: **14 Years**

OTHER PUBLICATIONS

Brochure distributed by American Inventors Corporation approximately during Mar. 1993.

[21] Appl. No.: **24,781**

Primary Examiner—A. Hugo Word
Assistant Examiner—Robin V. Taylor

[22] Filed: **Jun. 21, 1994**

Related U.S. Application Data

[63] Continuation of Ser. No. 4,105, Jan. 27, 1993, abandoned.

[52] **U.S. Cl.** **D34/5**

[58] **Field of Search** D34/1, 5, 7-11;
248/99, 101; 294/1.3, 1.4, 55; D22/135;
15/257.1, 257.8

[57] CLAIM

The ornamental design for a hand held bagger, as shown and described.

[56] References Cited

U.S. PATENT DOCUMENTS

D. 299,075	12/1988	Scott	D34/1
3,711,141	1/1973	Soergel	294/1.4
3,872,831	3/1975	Cassidy	248/101
4,191,414	3/1980	Dameron	294/1.4
4,222,597	9/1980	Willis .	
4,257,636	3/1981	Mainprice	294/1.4
4,447,082	5/1984	Lindholm .	
4,705,310	11/1987	Scripter .	

DESCRIPTION

FIG. 1 is a front elevational view of the hand held bagger showing my new design;
FIG. 2 is a rear elevational view thereof;
FIG. 3 is a left side elevational view thereof;
FIG. 4 is a right side elevational view showing a use thereof;
FIG. 5 is a top plan view thereof; and,
FIG. 6 is a bottom plan view thereof.
The broken line showing of a bag is for illustrative purposes only and forms no part of the claimed design.

1 Claim, 3 Drawing Sheets

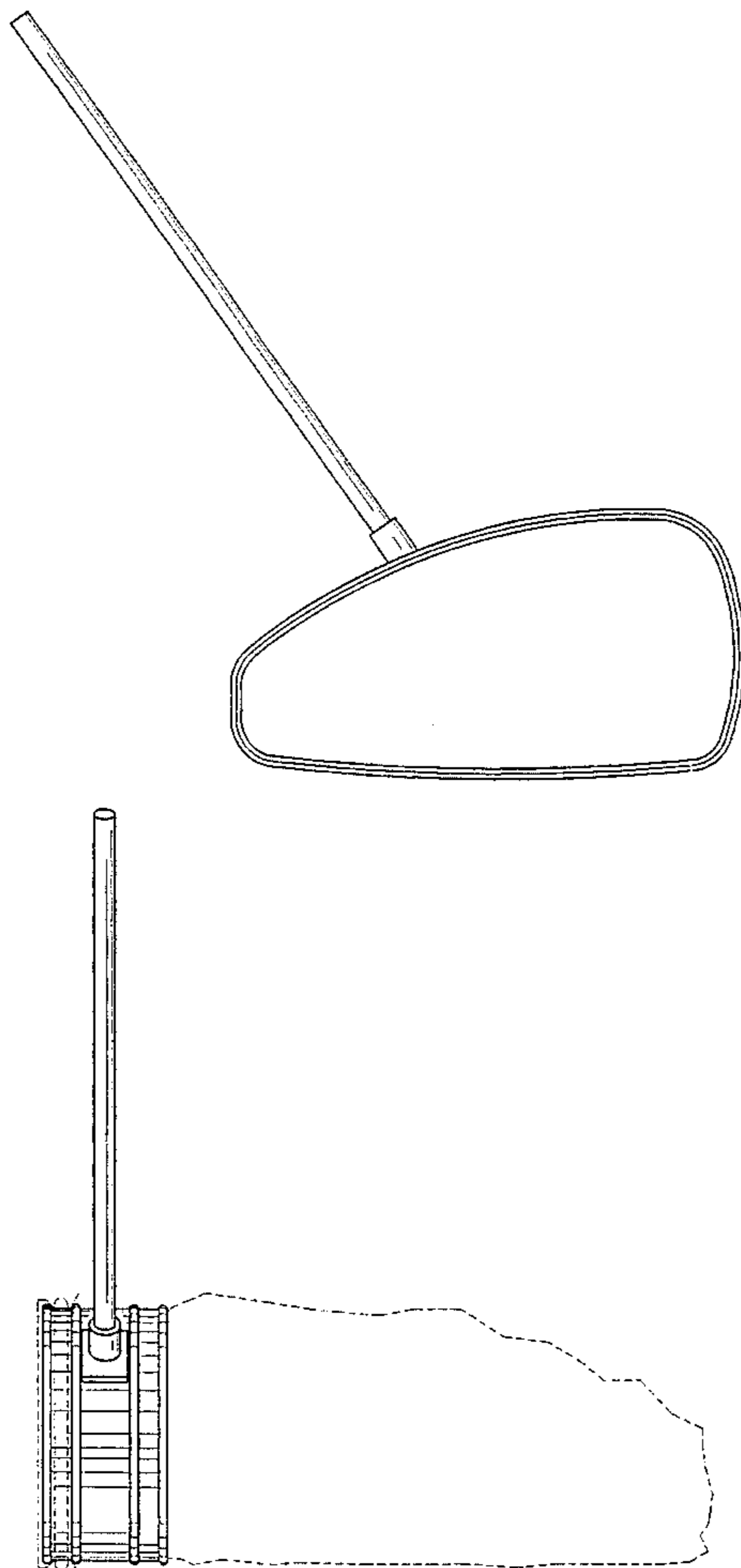


FIG. 1

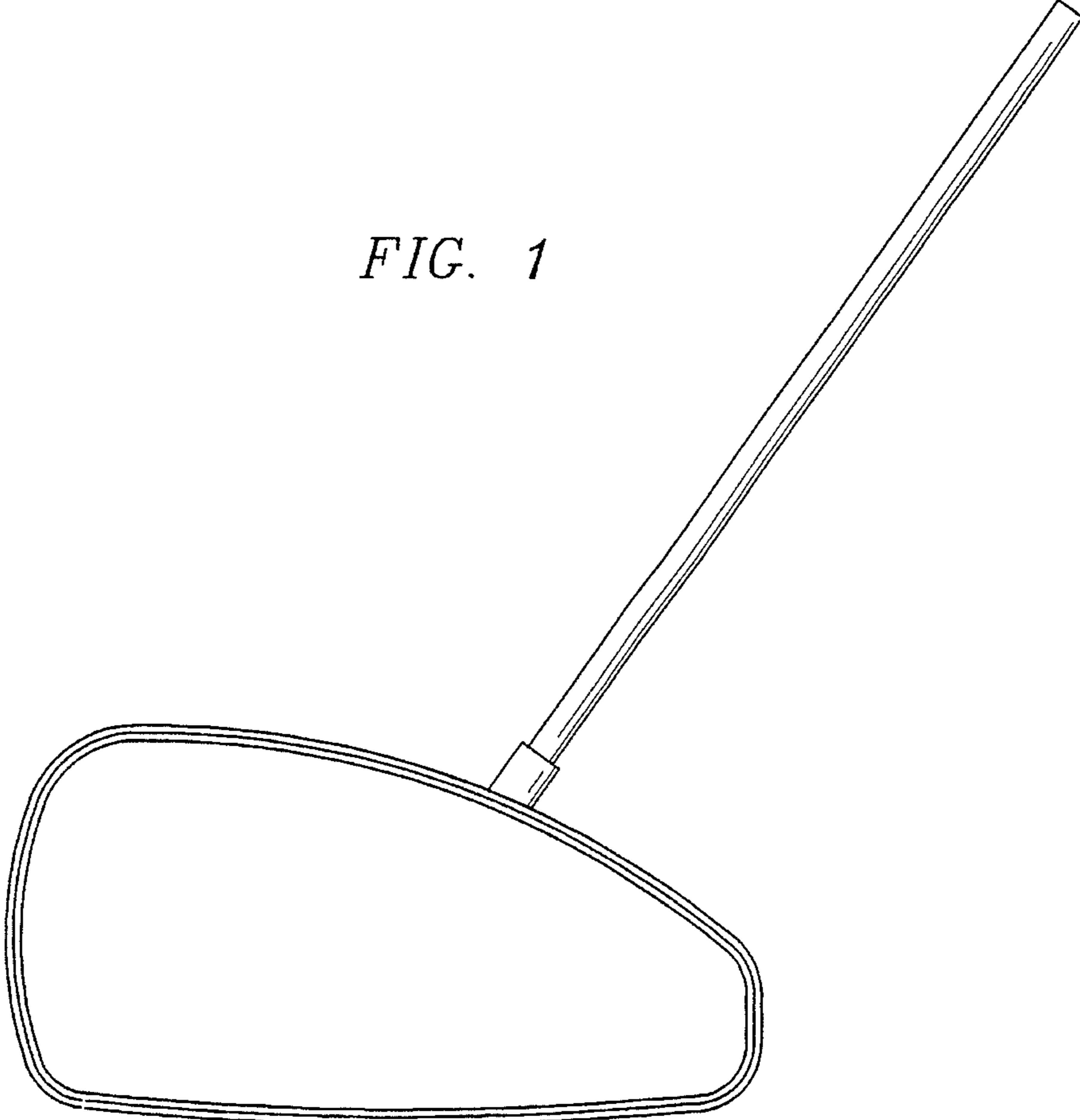


FIG. 2

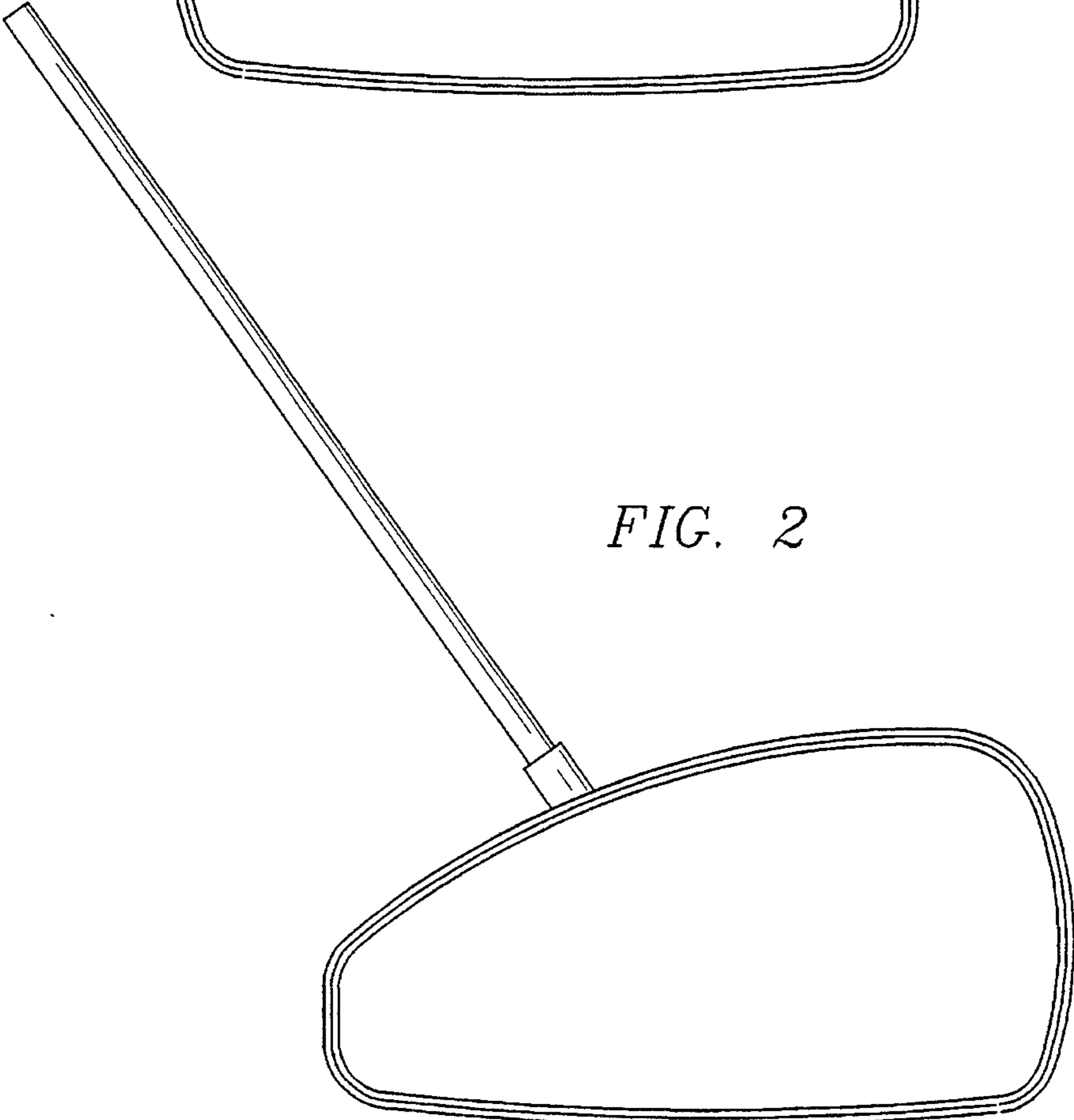


FIG. 3

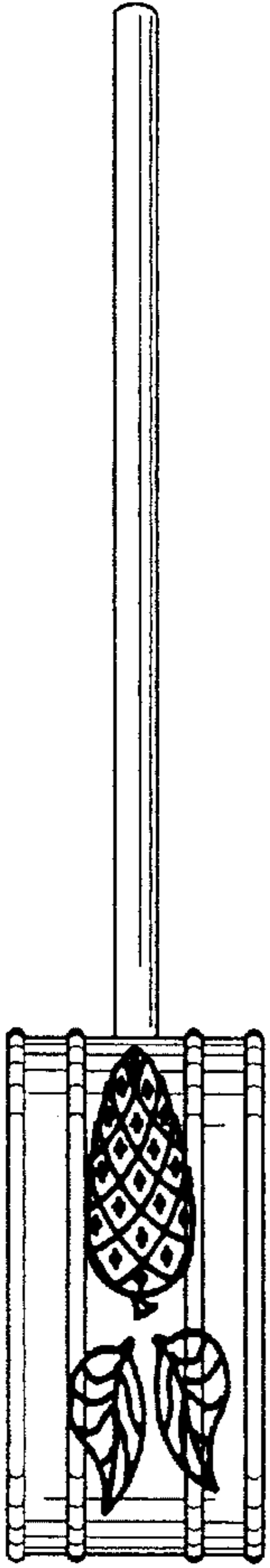


FIG. 4

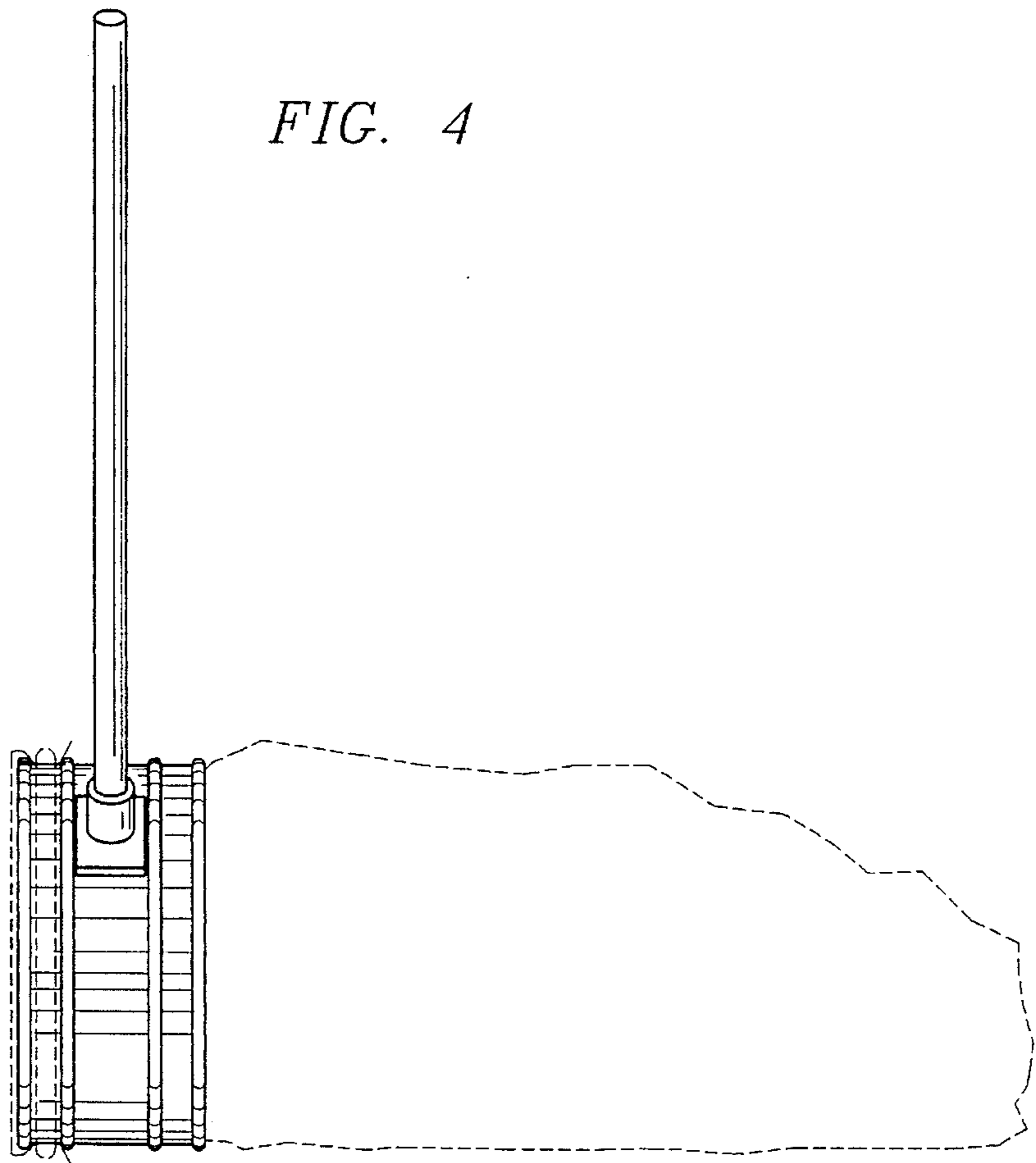


FIG. 5

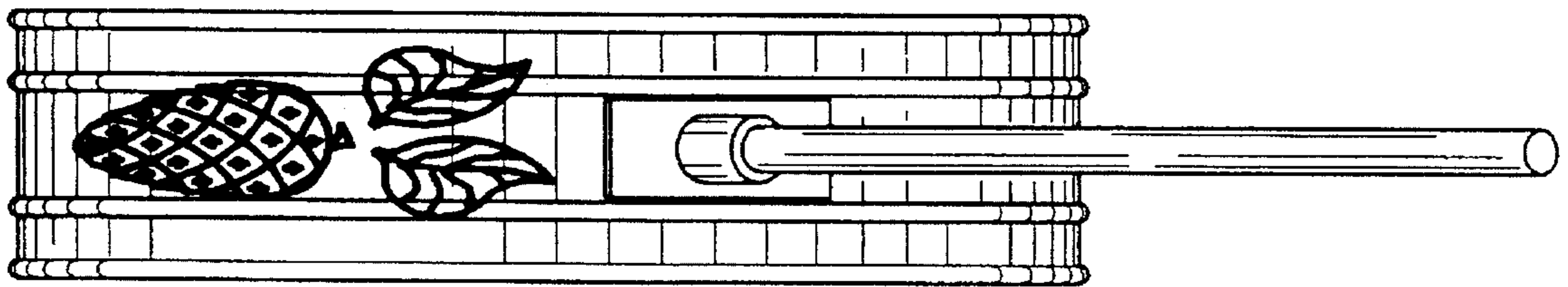


FIG. 6

