



US00D367742S

# United States Patent [19]

[11] Patent Number: **Des. 367,742**

**Benenson**

[45] Date of Patent: **\*\*Mar. 5, 1996**

[54] **WASHING MACHINE**

D. 313,679 1/1991 Sakamoto ..... D32/6

[75] Inventor: **Elazar Benenson**, Mesa, Ariz.

*Primary Examiner*—Ruth McInroy

[73] Assignee: **Wonderwash Corp.**, Mesa, Ariz.

*Attorney, Agent, or Firm*—Parsons & Associates; Robert A. Parsons; Don J. Flickinger

[\*\*] Term: **14 Years**

[57] **CLAIM**

[21] Appl. No.: **29,671**

The ornamental design for a washing machine, as shown and described.

[22] Filed: **Oct. 13, 1994**

### DESCRIPTION

[52] U.S. Cl. .... **D32/13**

[58] **Field of Search** ..... D32/1, 6, 7, 13;  
68/139, 140, 142, 171-173; 134/138; 34/53

FIG. 1 is a perspective view of a washing machine, showing my dew design therefor;

FIG. 2 is a front elevational view, the rear elevation view being a mirror image thereof;

FIG. 3 is a left side elevation view;

FIG. 4 is a left side elevational view;

FIG. 5 is a top plan view; and,

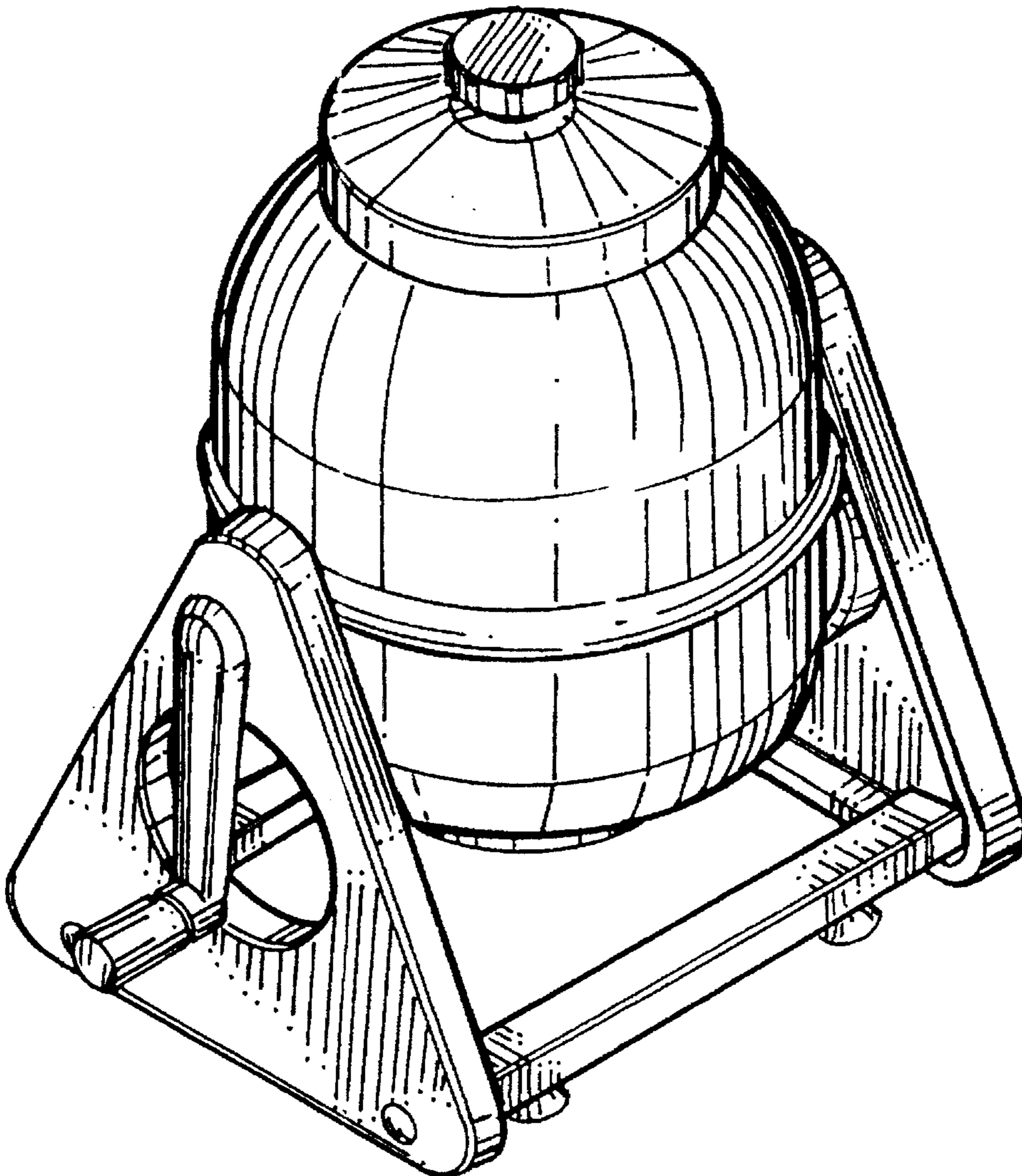
FIG. 6 is a bottom plan view.

### [56] **References Cited**

#### U.S. PATENT DOCUMENTS

D. 139,126	10/1944	Gerhardt	.....	D32/6
D. 153,680	5/1949	Haase	.....	D32/13
D. 182,887	5/1958	Ferar	.....	D32/13
D. 299,569	1/1989	Davis et al.	.....	D32/8
D. 300,279	3/1989	Umehara et al.	.....	D32/6

**1 Claim, 1 Drawing Sheet**



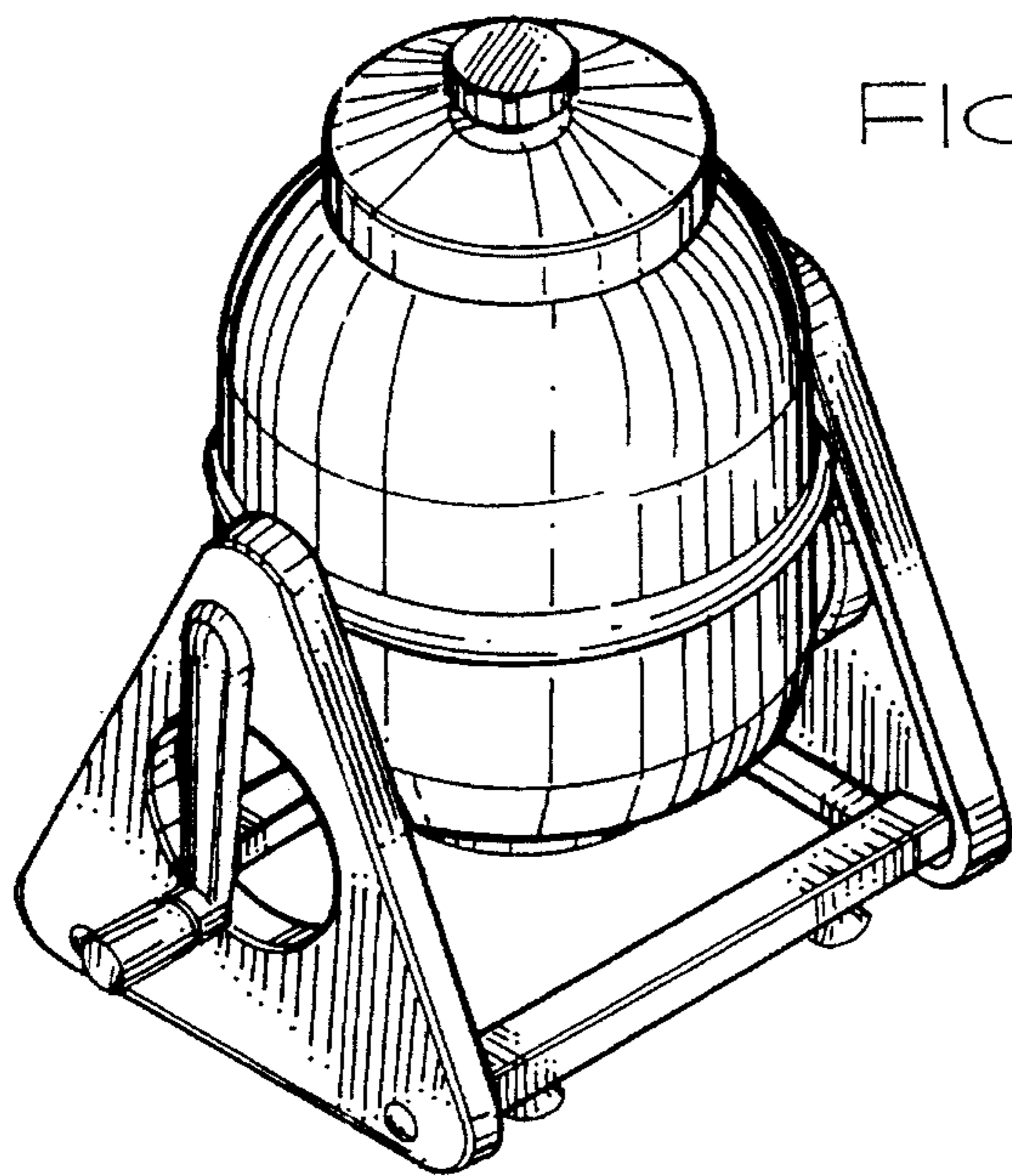


FIG. 1

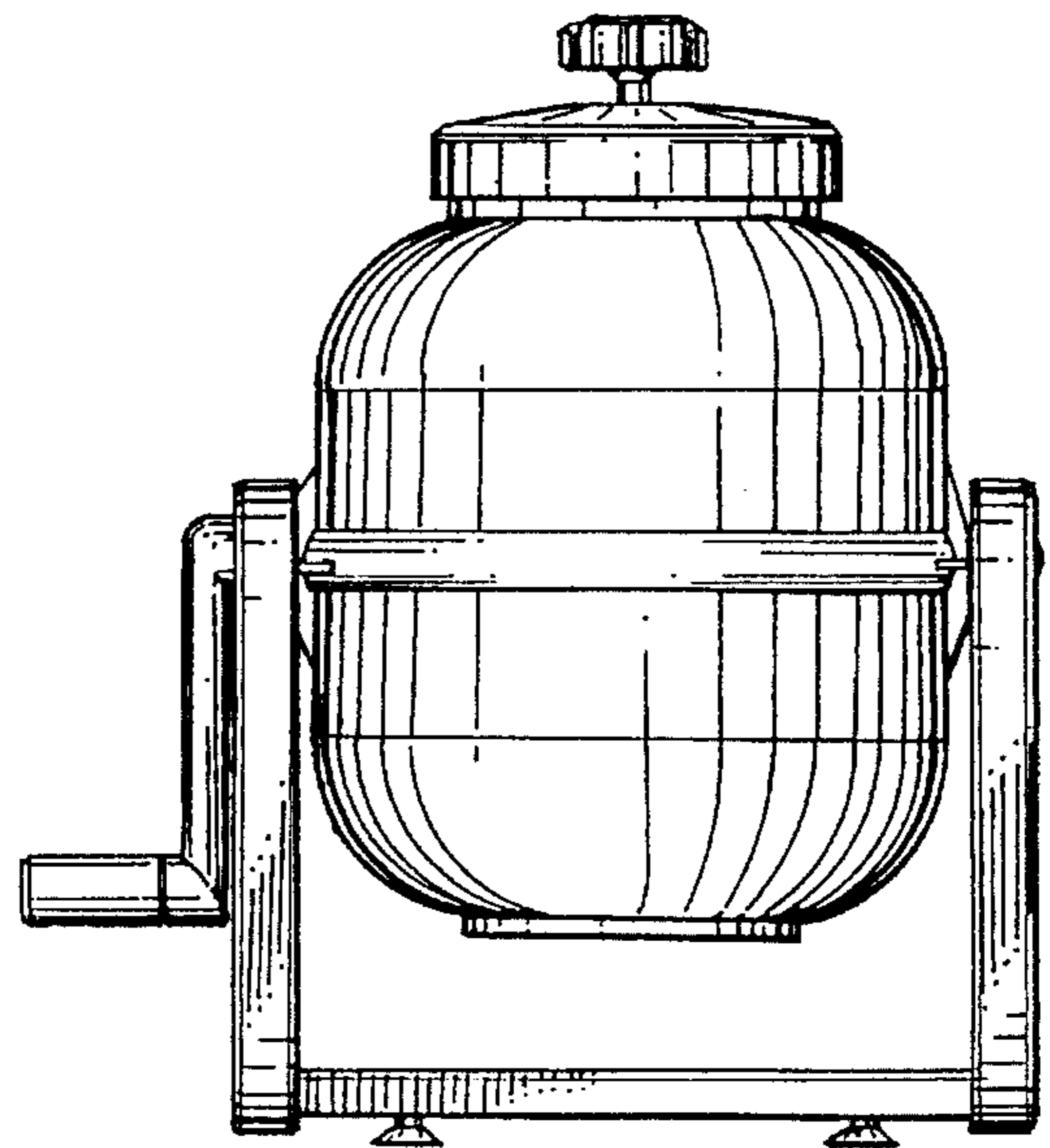


FIG. 2

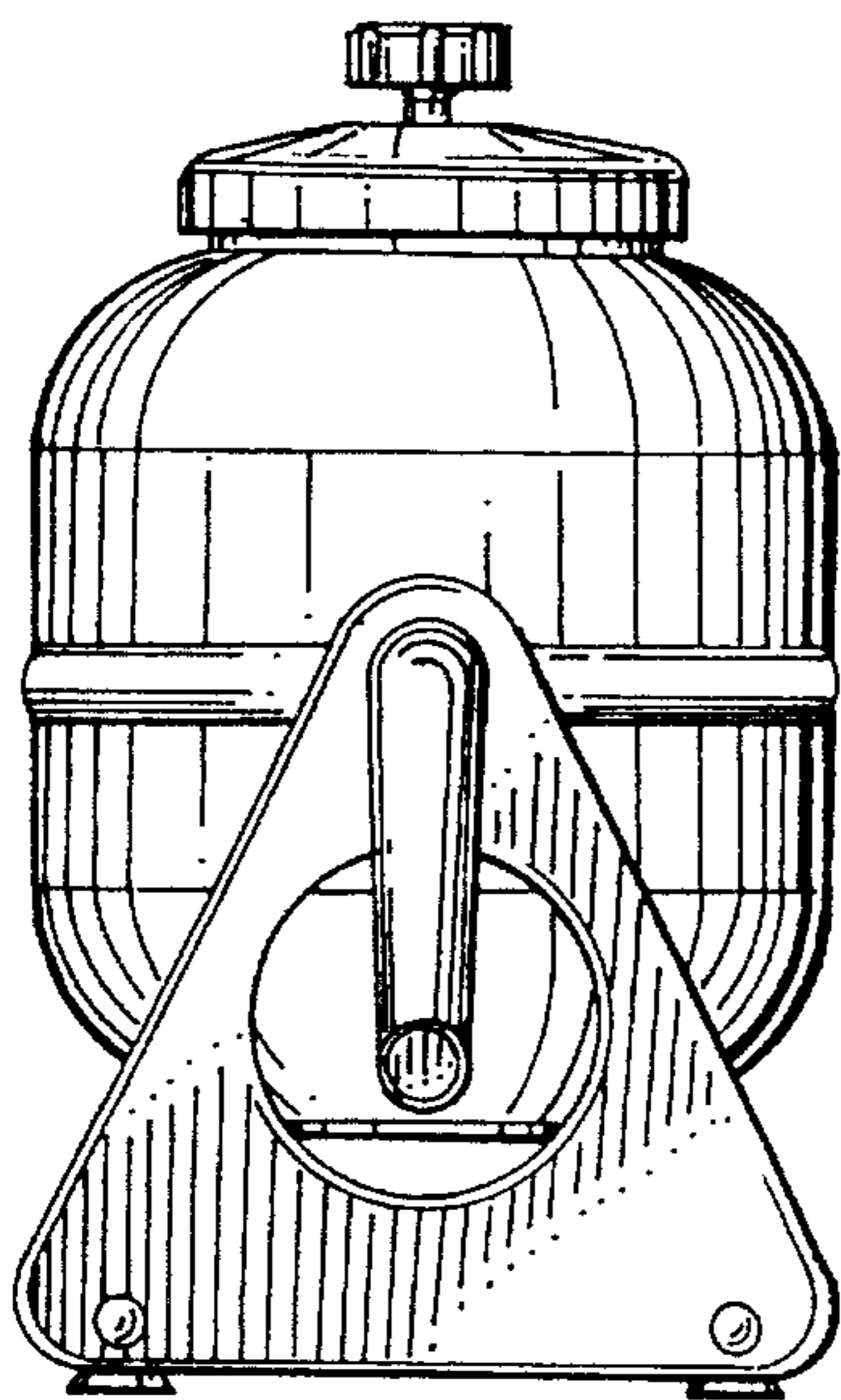


FIG. 3

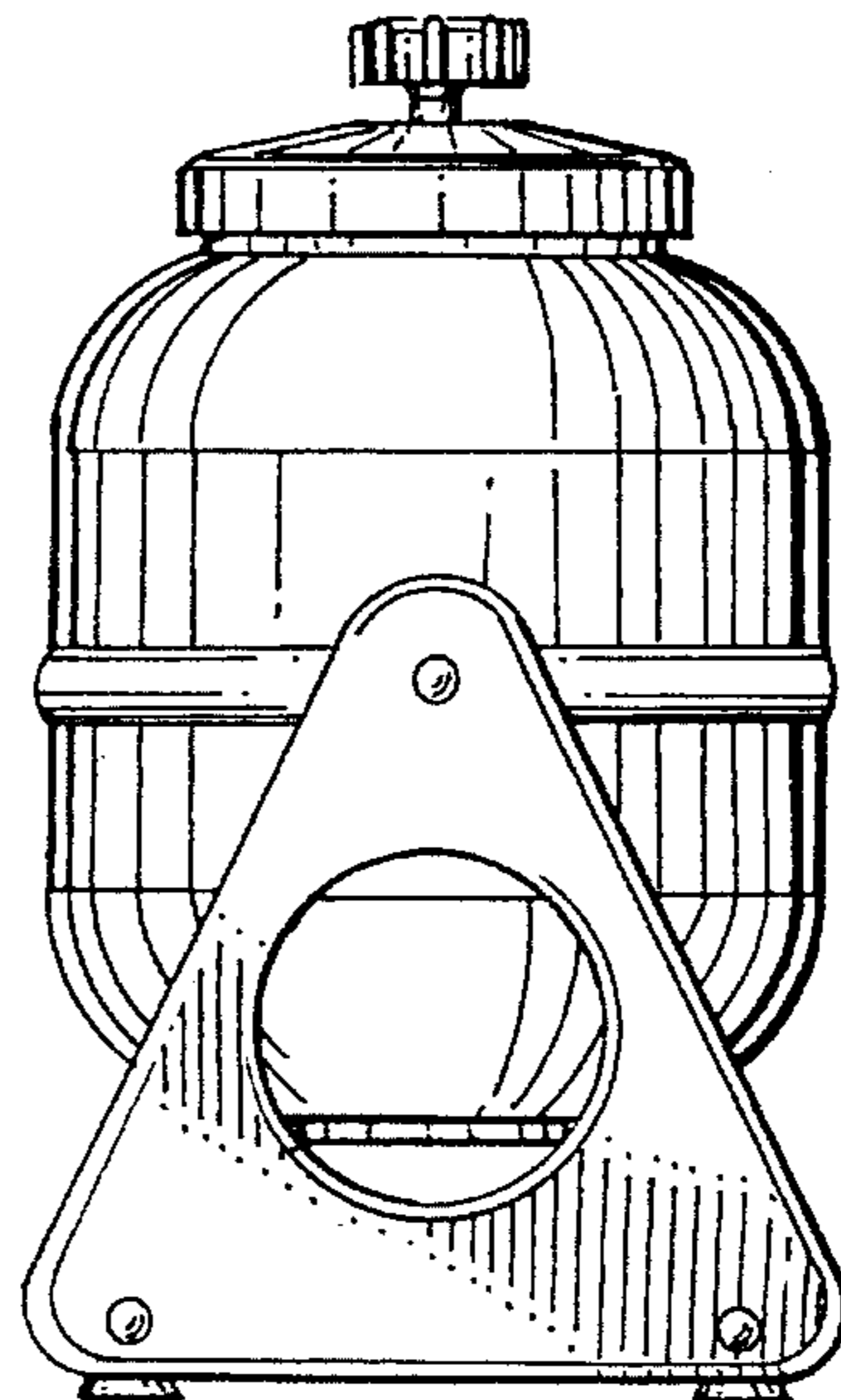


FIG. 4

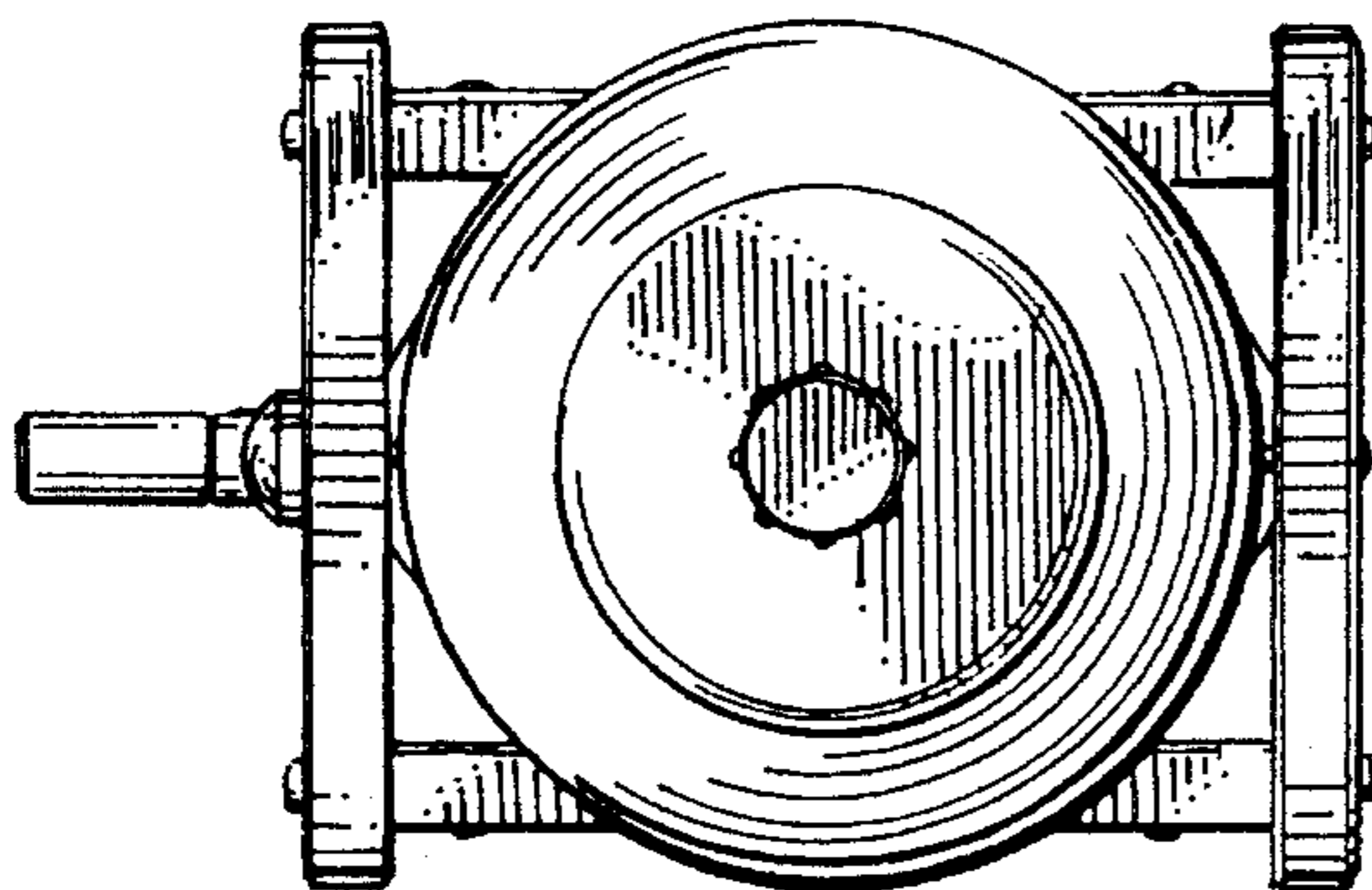


FIG. 5

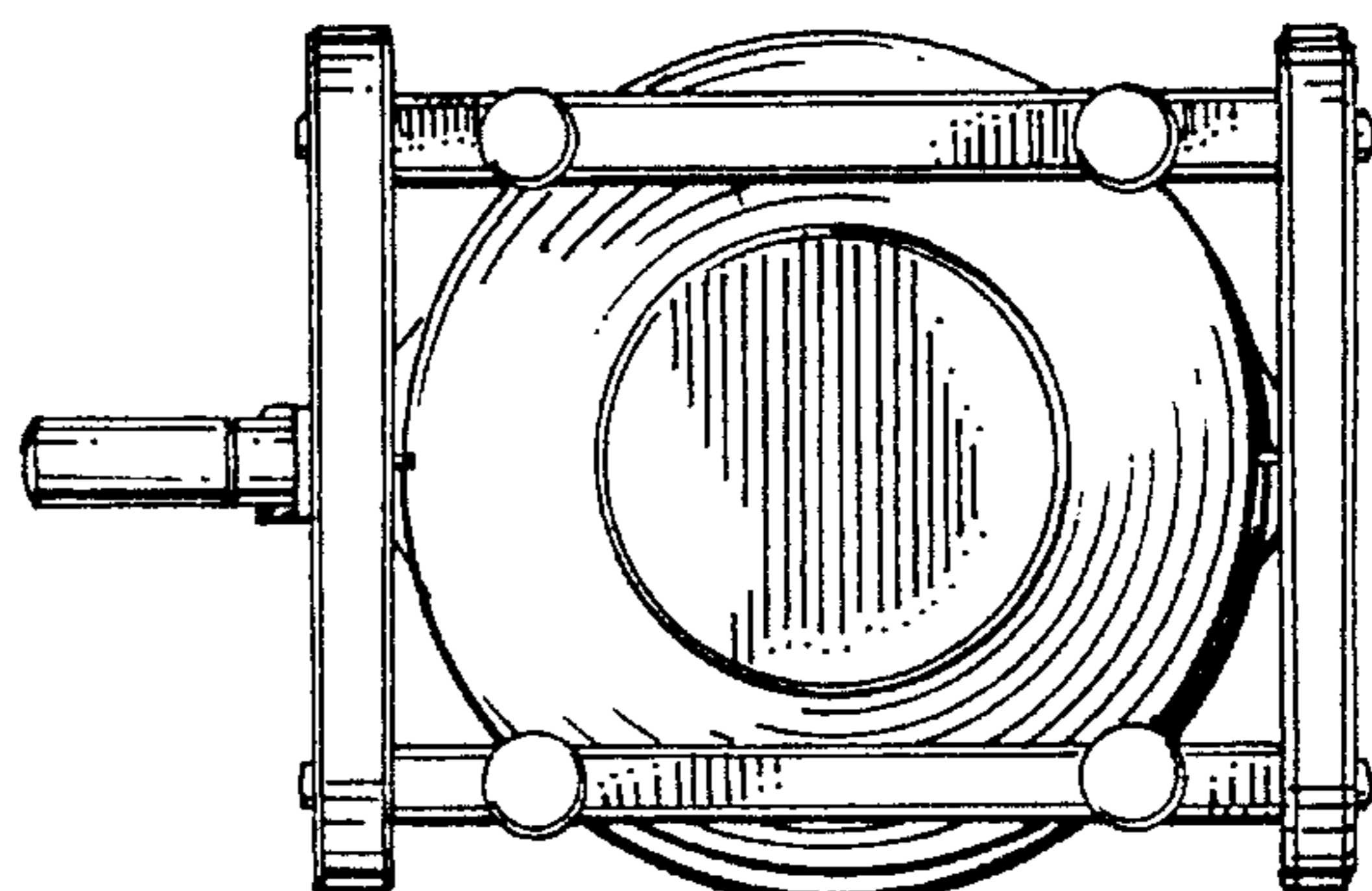


FIG. 6