



US00D367741S

United States Patent [19]
Boudreau

[11] **Patent Number: Des. 367,741**

[45] **Date of Patent: **Mar. 5, 1996**

[54] **BOVINE TEAT SANITIZER**

[76] Inventor: **Ronald A. Boudreau**, 3421 Dragoo Park Dr., Modesto, Calif. 95350

[**] Term: **14 Years**

[21] Appl. No.: **23,575**

[22] Filed: **May 26, 1994**

[52] U.S. Cl. **D30/199**

[58] **Field of Search** 119/158-159, 156, 119/14.18; D30/158, 199; 239/526; 134/166 R, 169 R, 199; D24/217

[56] **References Cited**

U.S. PATENT DOCUMENTS

D. 324,591	3/1992	Lallerstedt	D30/199
2,532,088	11/1950	Cordis	119/158
3,713,423	1/1973	Sparr, Sr.	119/158
3,828,776	8/1974	Sparr, Sr.	119/158
4,034,714	7/1977	Umbaugh et al.	119/14.18
4,305,346	12/1981	Sparr, Sr.	119/158
4,498,419	2/1985	Flocchini	119/14.18
4,915,303	4/1990	Hufgard	239/526
4,924,809	5/1990	Verbrugge	119/158
4,970,992	11/1990	Siken	119/158
5,379,724	1/1995	Dee et al.	119/158

FOREIGN PATENT DOCUMENTS

0029240	5/1981	European Pat. Off.	119/158
1457440	3/1969	Germany	239/526
33796	11/1912	Sweden	119/158

OTHER PUBLICATIONS

“Vacuum Operated Automated Teat Spray” RJB Company advertisement in the *The Dairyman*, Aug. 1984.

“Blueprint For A Better Dip Cup” RJB Company advertisement in *The Dairyman*, Sep. 1985.

RJB Company brochure on “Trigger Spray” and Vacuum Operated Automated Teat Spray, about 1985.

RJB Company Illustrated Parts List on “Vacuum Operated Automated Teat Spray” about 1985.

Ambic Brochure on “Ambic Back Pack Teat Supply”. Ambic Equipment Limited, Witney, Oxford, OX8, 6XT, England, about 1990.

RJB Company Brochure on Multispray (2 pages) RJB Company about 1988.

Primary Examiner—Cathy Anne MacCormac
Attorney, Agent, or Firm—Skjerven, Morrill, MacPherson, Franklin & Friel

[57] **CLAIM**

The ornamental design for a bovine teat sanitizer, as shown and described.

DESCRIPTION

FIG. 1 is a perspective view of a bovine teat sanitizer showing my new design;

FIG. 2 is a side elevation view thereof, the other side being a mirror image thereof;

FIG. 3 is a top plan view thereof;

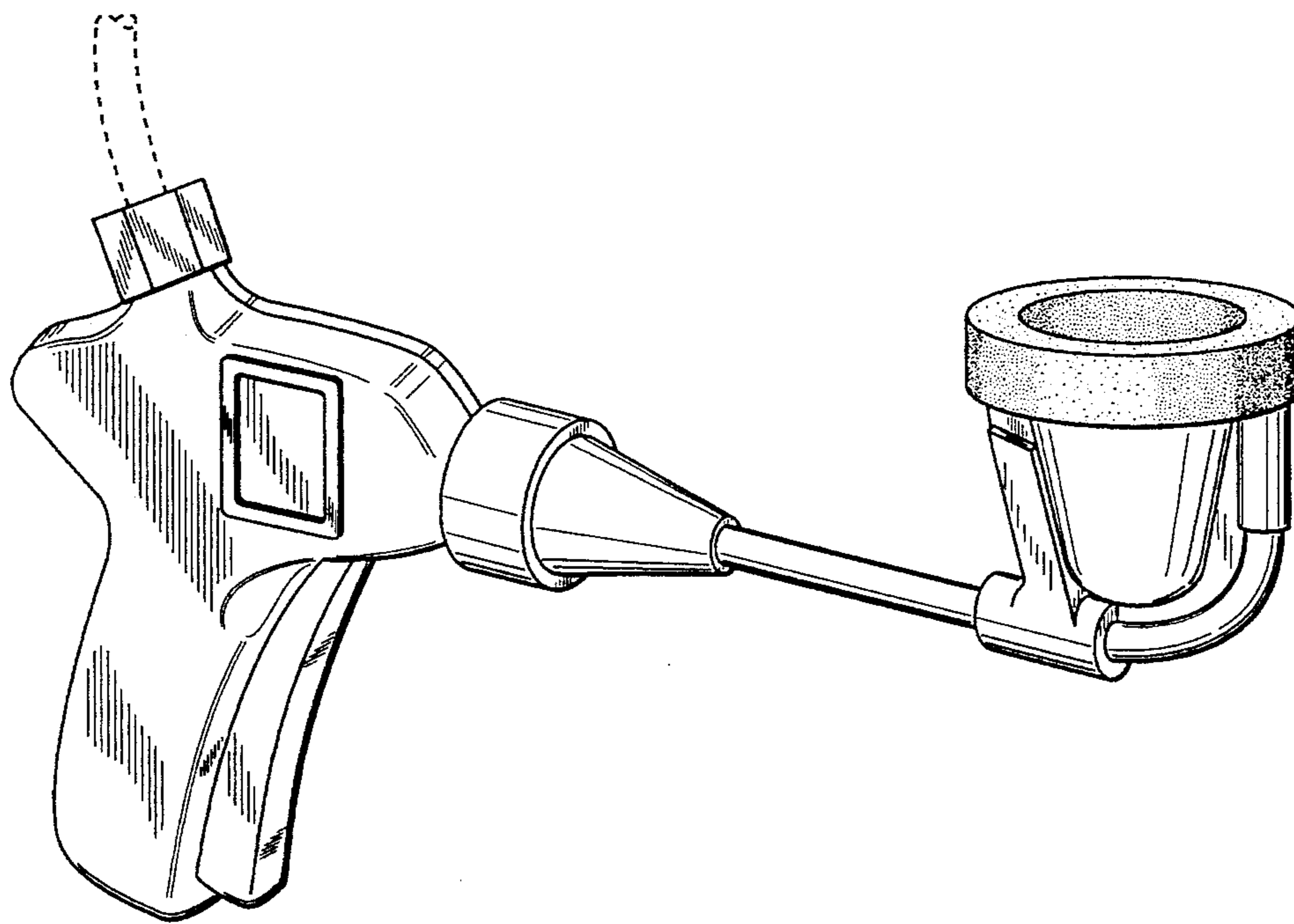
FIG. 4 is a bottom plan view thereof;

FIG. 5 is a right-hand end elevation view thereof; and,

FIG. 6 is a left-hand end elevation view thereof.

The broken lines are for purposes of illustration only and form no part of the claimed design.

1 Claim, 4 Drawing Sheets



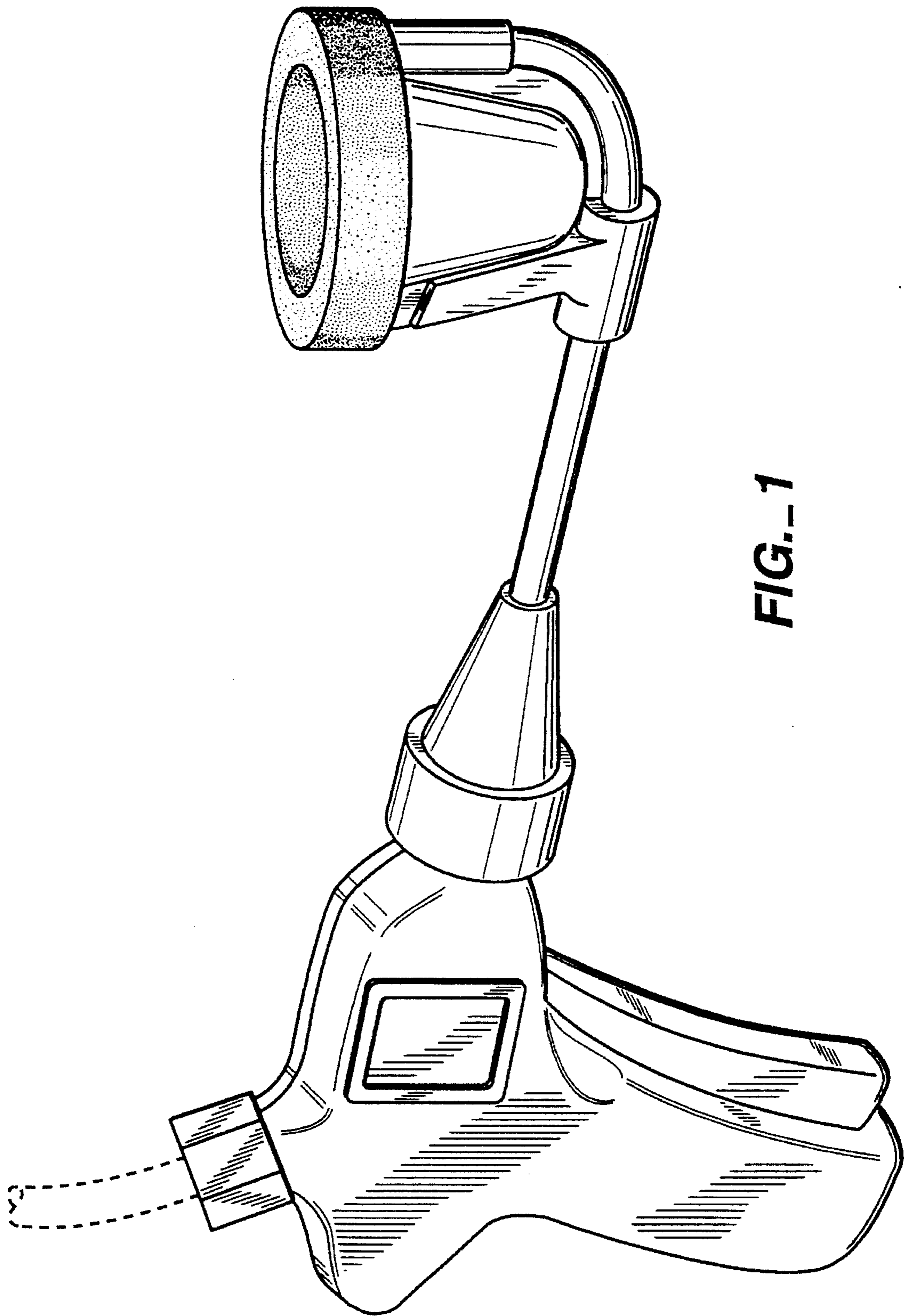


FIG.-1

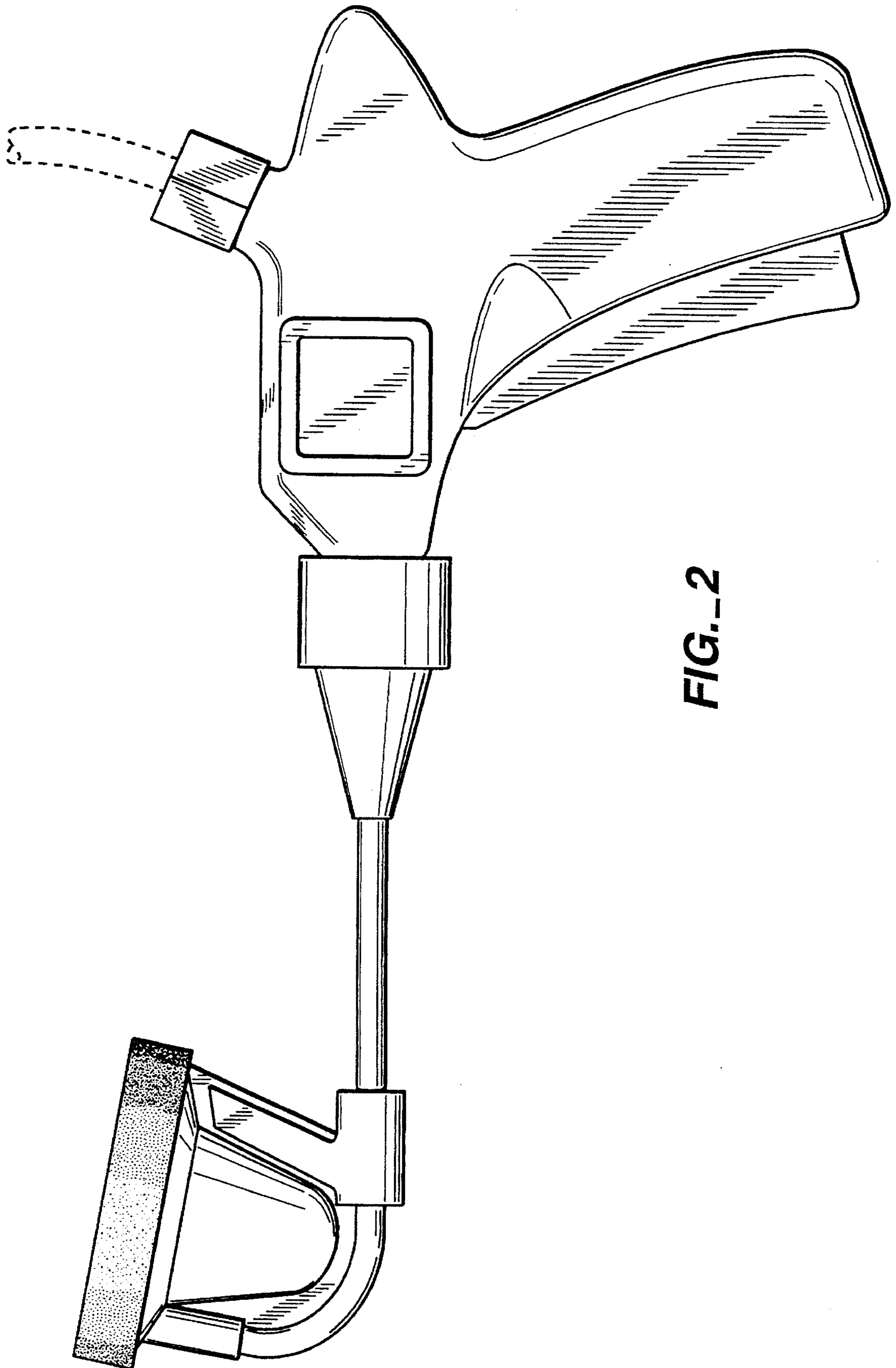
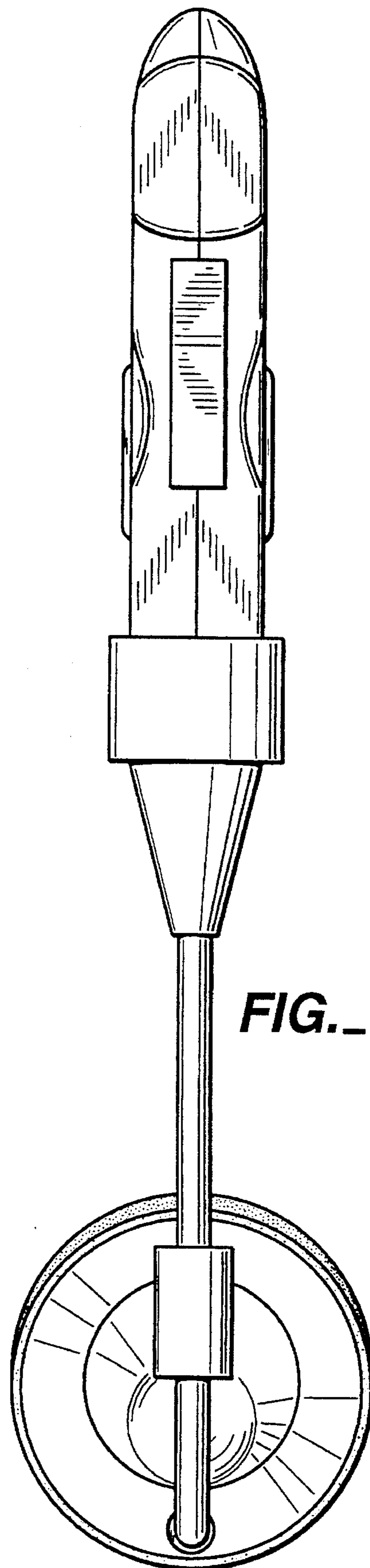
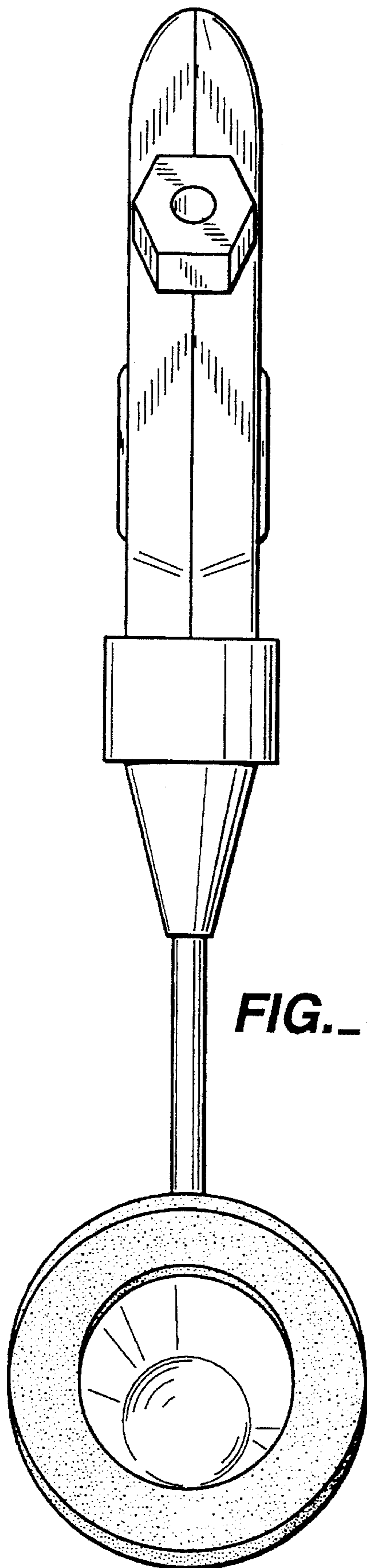


FIG.-2



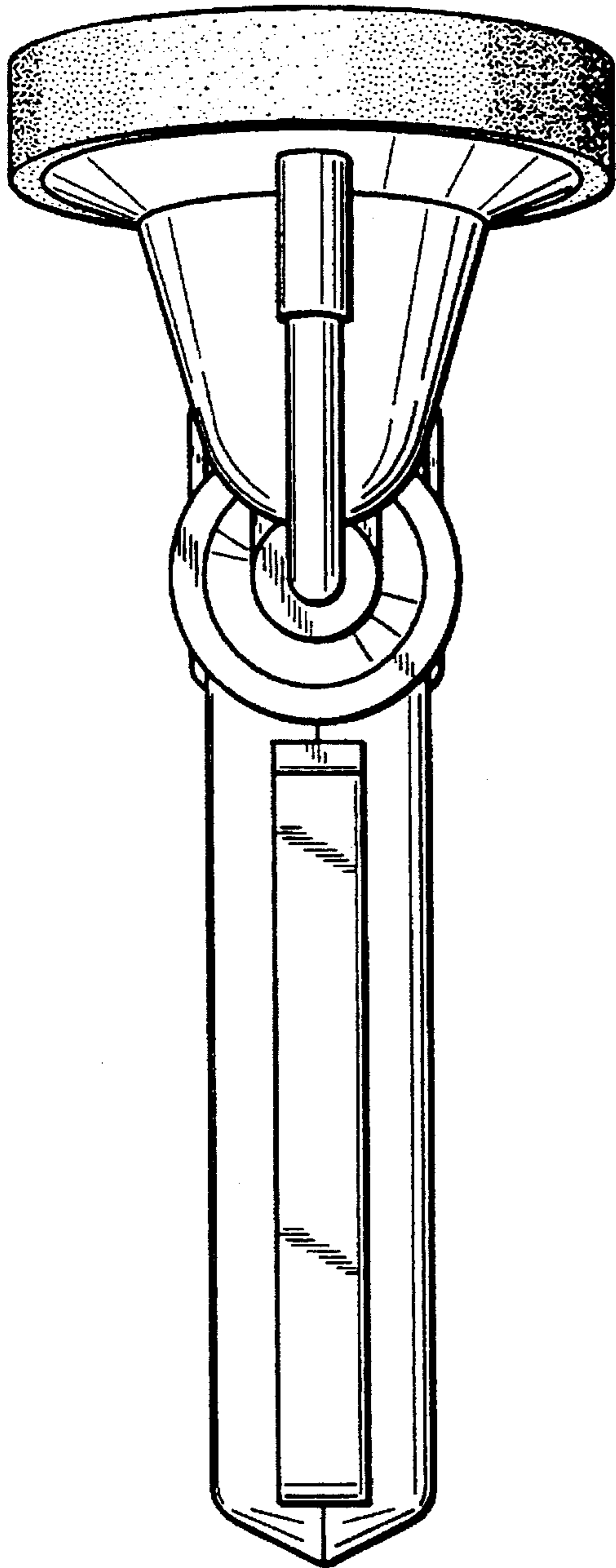


FIG. 5

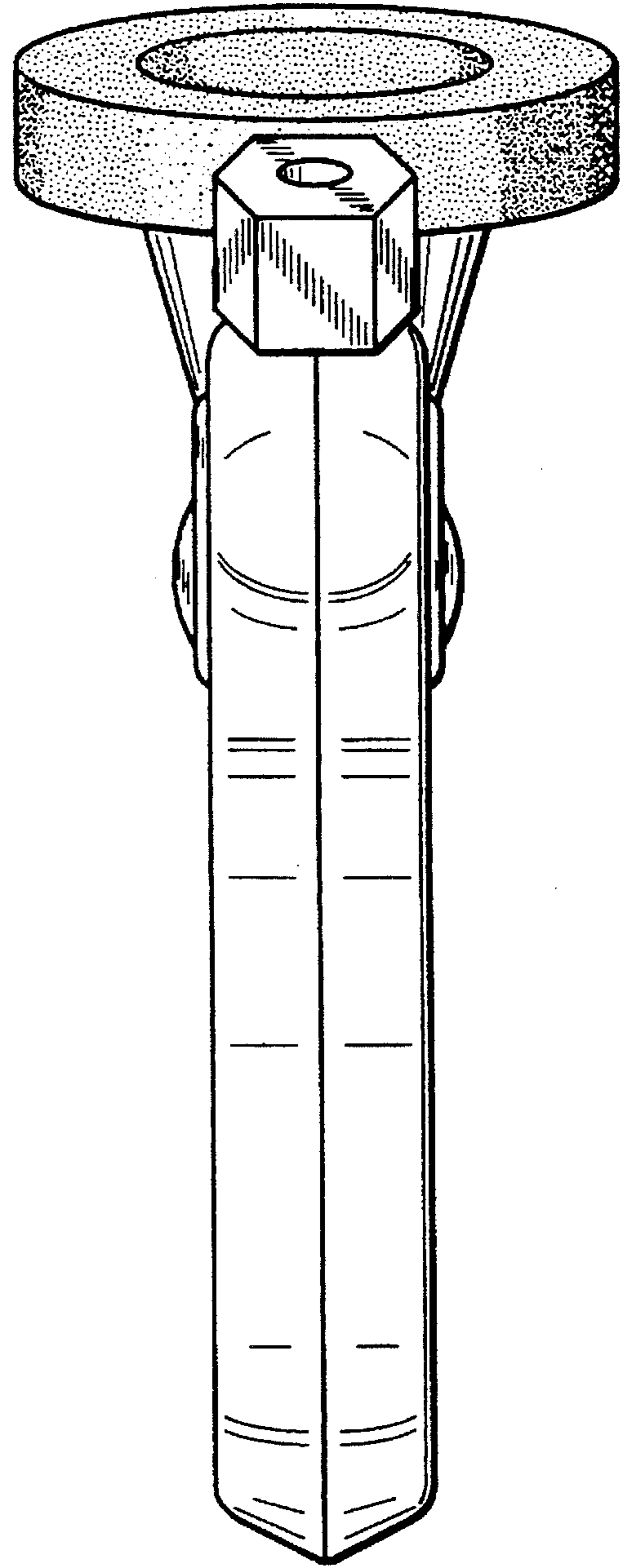


FIG. 6