



US00D367737S

# United States Patent [19]

McNaughton et al.

[11] Patent Number: **Des. 367,737**

[45] Date of Patent: **\*\*Mar. 5, 1996**

## [54] HANGER FOR BIRD FEEDER

[75] Inventors: **Patrick McNaughton**, Minneapolis;  
**Richard Schellbach**, Rush City, both of  
Minn.

[73] Assignee: **McNaughton Incorporated**,  
Minneapolis, Minn.

[\*\*] Term: **14 Years**

[21] Appl. No.: **30,034**

[22] Filed: **Oct. 21, 1994**

[52] U.S. Cl. .... **D30/133**

[58] Field of Search ..... 119/52.2, 52.3,  
119/57.8, 57.9, 72, 77, 23; 248/311.3, 318,  
339; D30/121, 124-128, 131-133

## [56] References Cited

### U.S. PATENT DOCUMENTS

823,697	6/1906	Richardson	119/77
997,313	7/1911	Moe	119/77
1,010,543	12/1911	Walter et al.	119/77
2,842,277	7/1958	Jewell	248/311.3
3,253,576	5/1966	Tvedten	D30/124
3,822,674	7/1974	Tobin	D30/124
3,927,645	12/1975	Varnier	D30/124
4,235,407	11/1980	Haas	248/318
4,355,597	10/1982	Blasbalg	119/57.8
5,143,289	9/1992	Gresham et al.	D30/124
5,235,935	8/1993	Edwards	D30/124

## OTHER PUBLICATIONS

Grammes Pat. No. 66; ©1941; p. 38 Loop No. 33461 & p. 54 No. 947-Parcel Room Hook.

*Primary Examiner*—Cathy Anne MacCormac  
*Attorney, Agent, or Firm*—Gregory P. Kaihoi

## [57] CLAIM

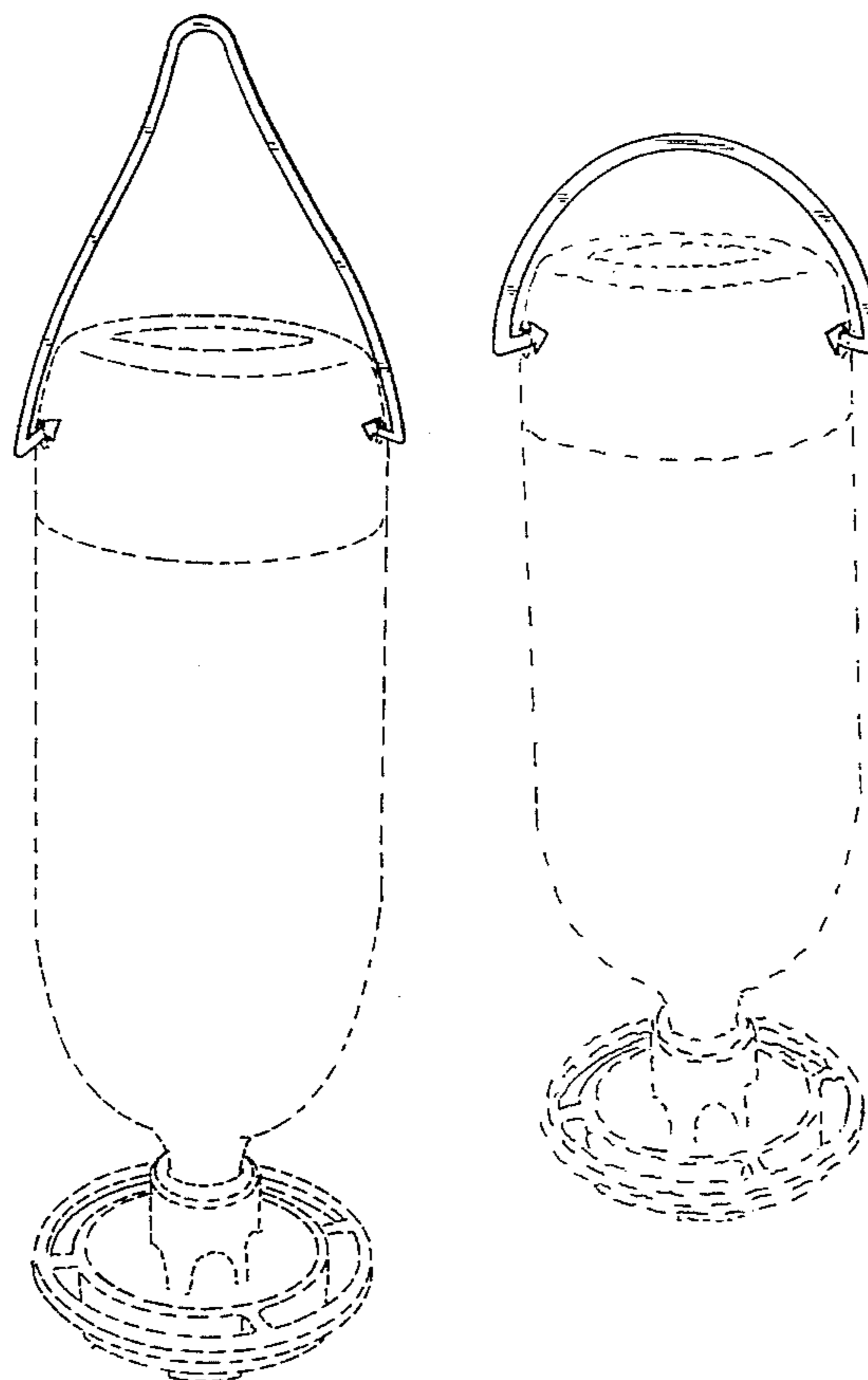
The ornamental design for a hanger for bird feeder, as shown.

## DESCRIPTION

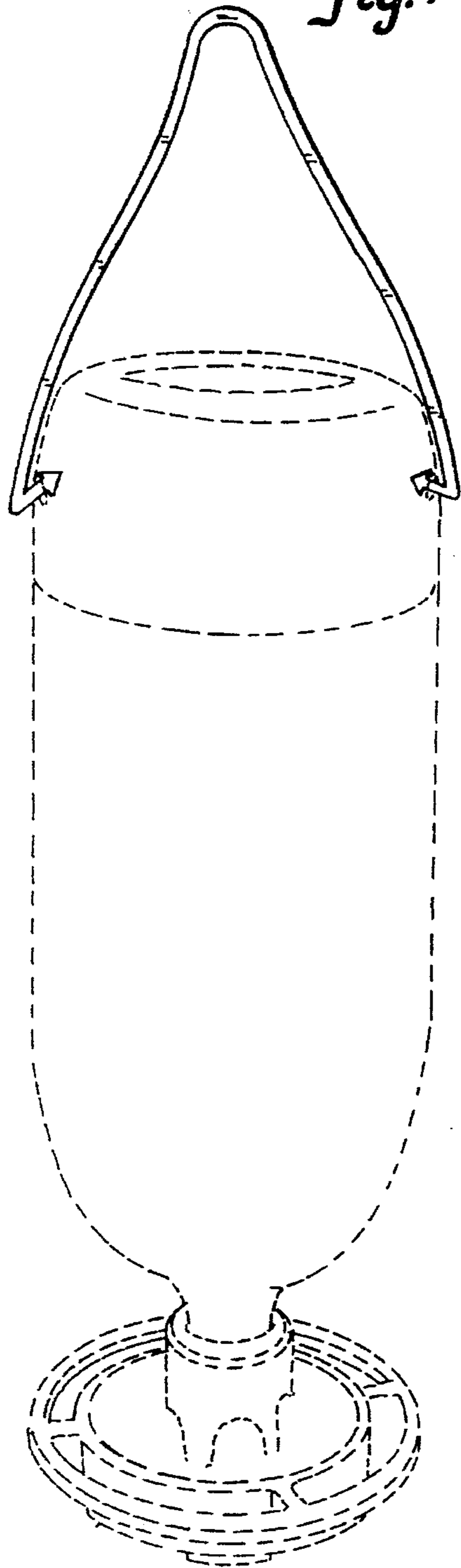
FIG. 1 is a perspective view of the hanger for bird feeder of our invention;  
 FIG. 2 is a front elevational view thereof;  
 FIG. 3 is a side elevational view thereof;  
 FIG. 4 is a back elevational view thereof;  
 FIG. 5 is a top view thereof;  
 FIG. 6 is a bottom view thereof;  
 FIG. 7 is a perspective view of a modified embodiment of the hanger for bird feeder of our invention;  
 FIG. 8 is a front elevational view thereof;  
 FIG. 9 is a back elevational view thereof;  
 FIG. 10 is a side elevational view thereof;  
 FIG. 11 is a top view thereof; and,  
 FIG. 12 is a bottom view thereof.

The broken lines in FIGS. 1 and 7 are for purposes of illustration only and form no part of the claimed design.

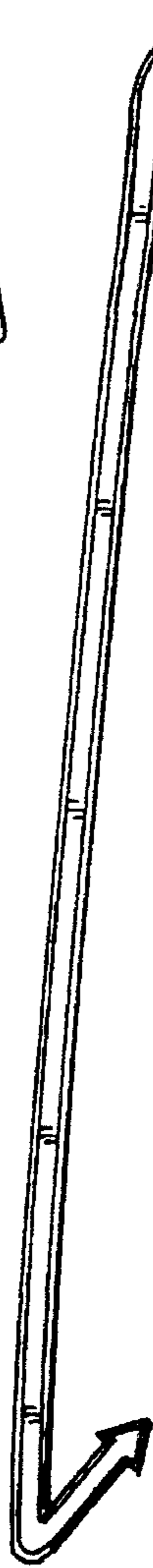
**1 Claim, 2 Drawing Sheets**



*Fig. 1*



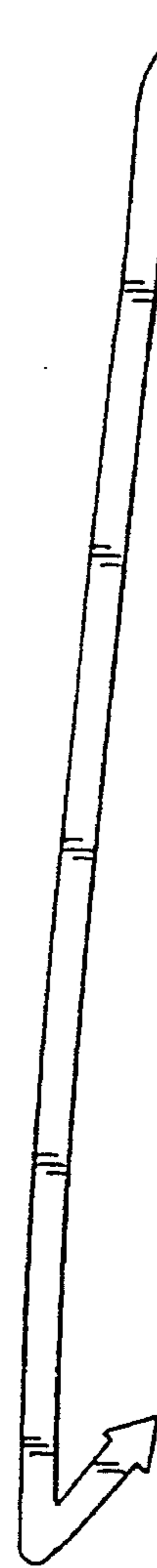
*Fig. 2*



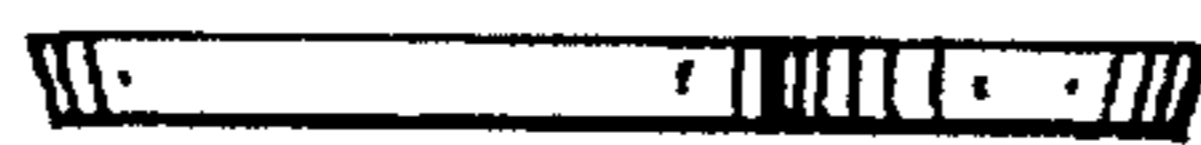
*Fig. 3*



*Fig. 4*



*Fig. 5*



*Fig. 6*



Fig. 7

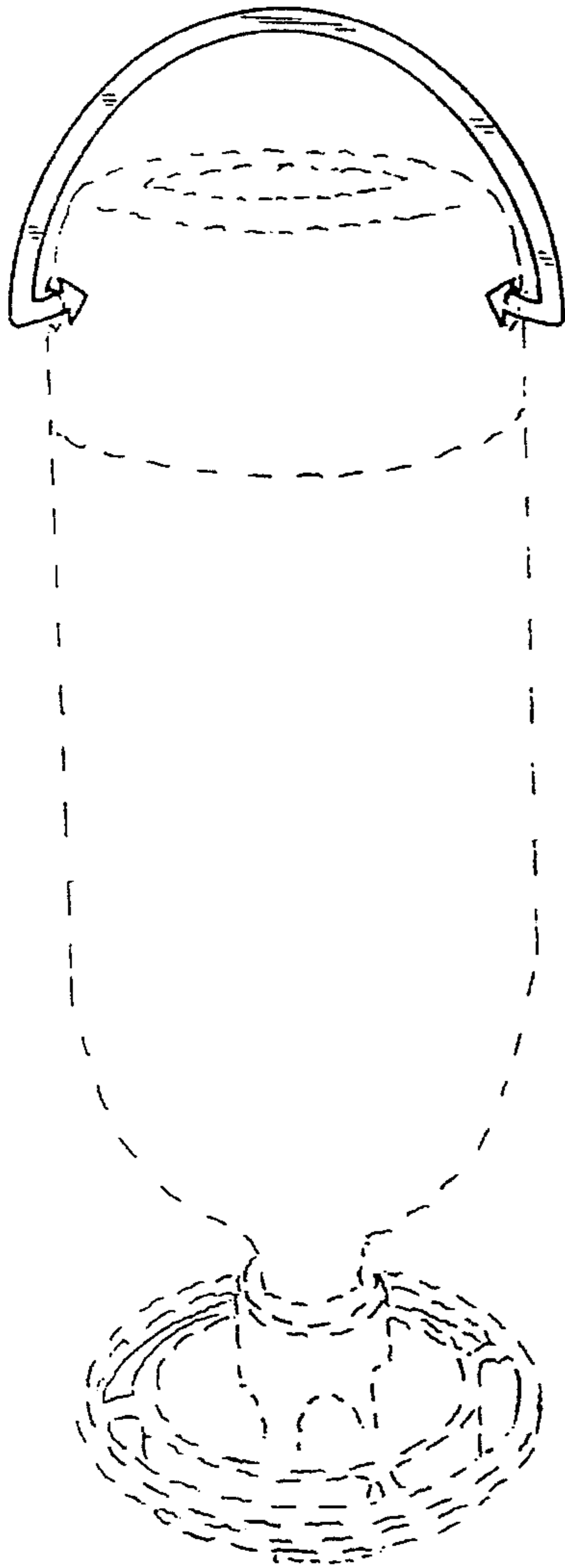


Fig. 8

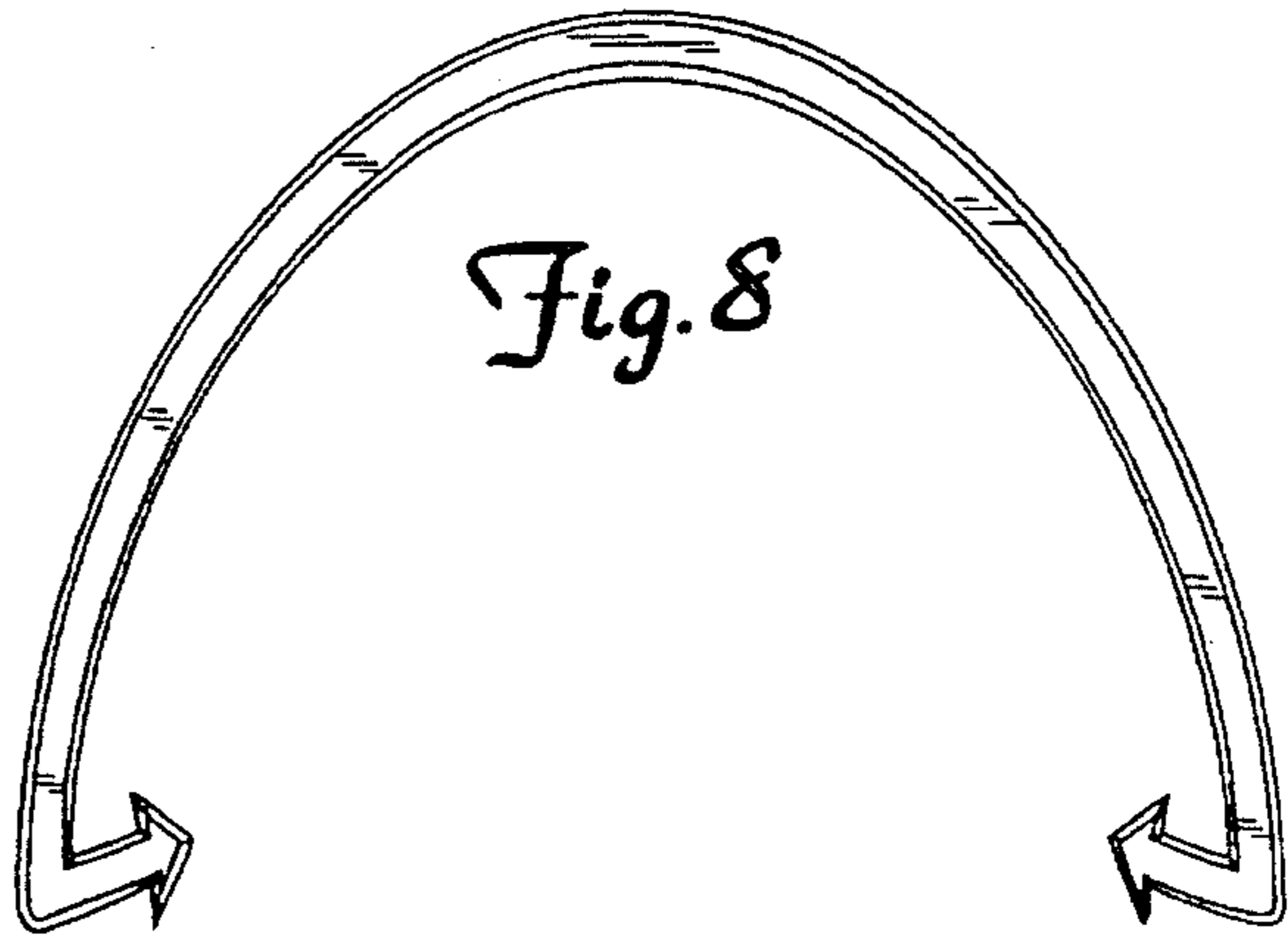


Fig. 9

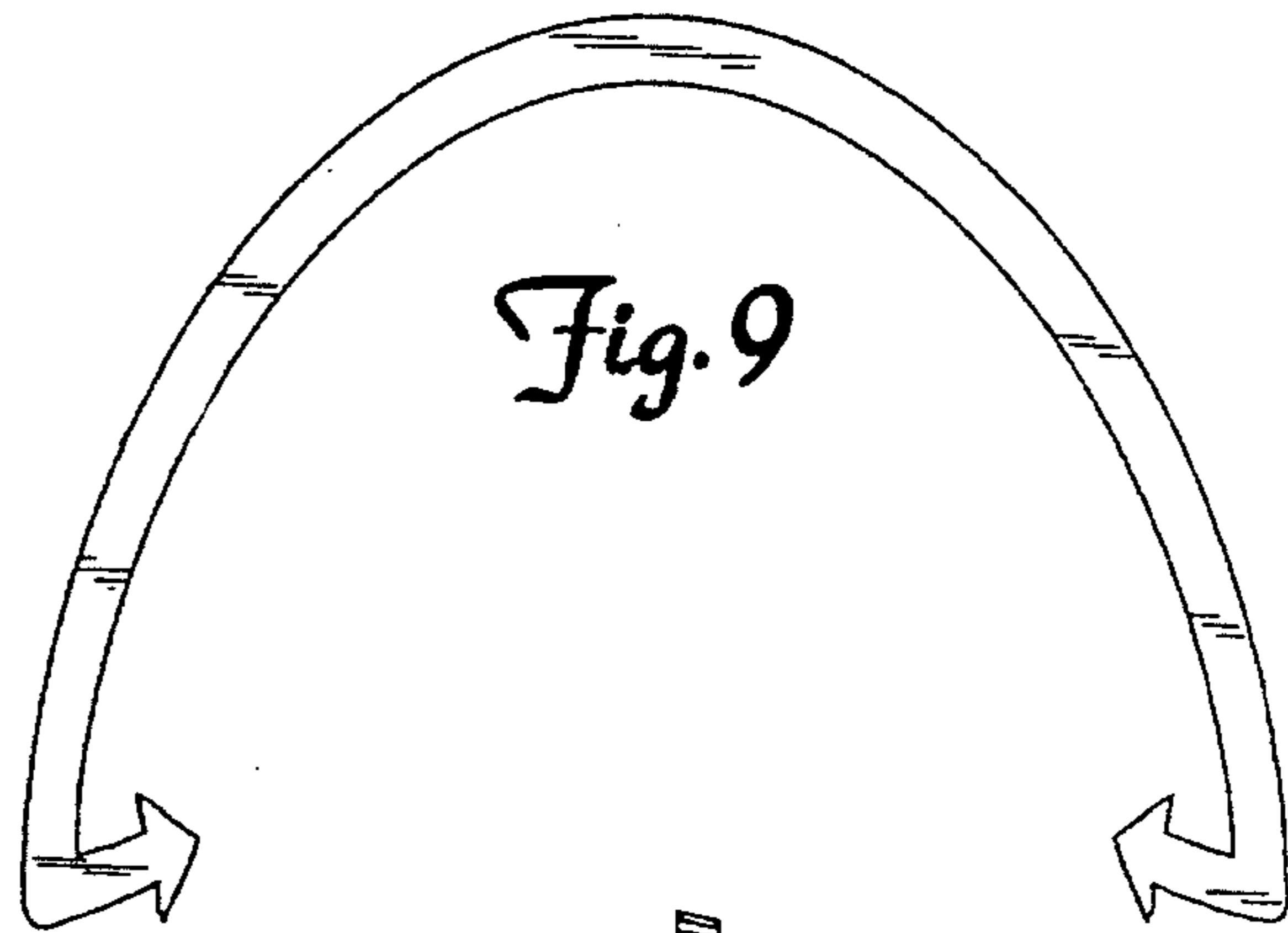


Fig. 10



Fig. 11

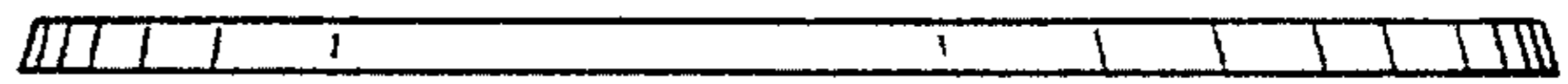


Fig. 12

