



US00D367736S

United States Patent [19]

[11] **Patent Number: Des. 367,736**

Goetz

[45] **Date of Patent: *** Mar. 5, 1996**

[54] **COMBINED PET FOOD AND LIQUID FEEDER**

FOREIGN PATENT DOCUMENTS

[76] Inventor: **Charles R. Goetz**, 9 Charter Oak Dr., Carnegie, Pa. 15106

353258	9/1905	France	119/77
2227819	11/1974	France	119/77
2638967	3/1978	Germany	119/51.5
2241633	9/1991	United Kingdom	119/77

[*] Notice: The portion of the term of this patent subsequent to Jun. 15, 2007, has been disclaimed.

Primary Examiner—Cathy Anne MacCormac

[**] Term: **14 Years**

[57] **CLAIM**

The ornamental design for a combined pet food and liquid feeder, as shown and described.

[21] Appl. No.: **17,992**

DESCRIPTION

[22] Filed: **Jan. 27, 1994**

[52] U.S. Cl. **D30/130**

[58] Field of Search D30/121, 122, D30/129, 130-133; 119/51.5, 61-62

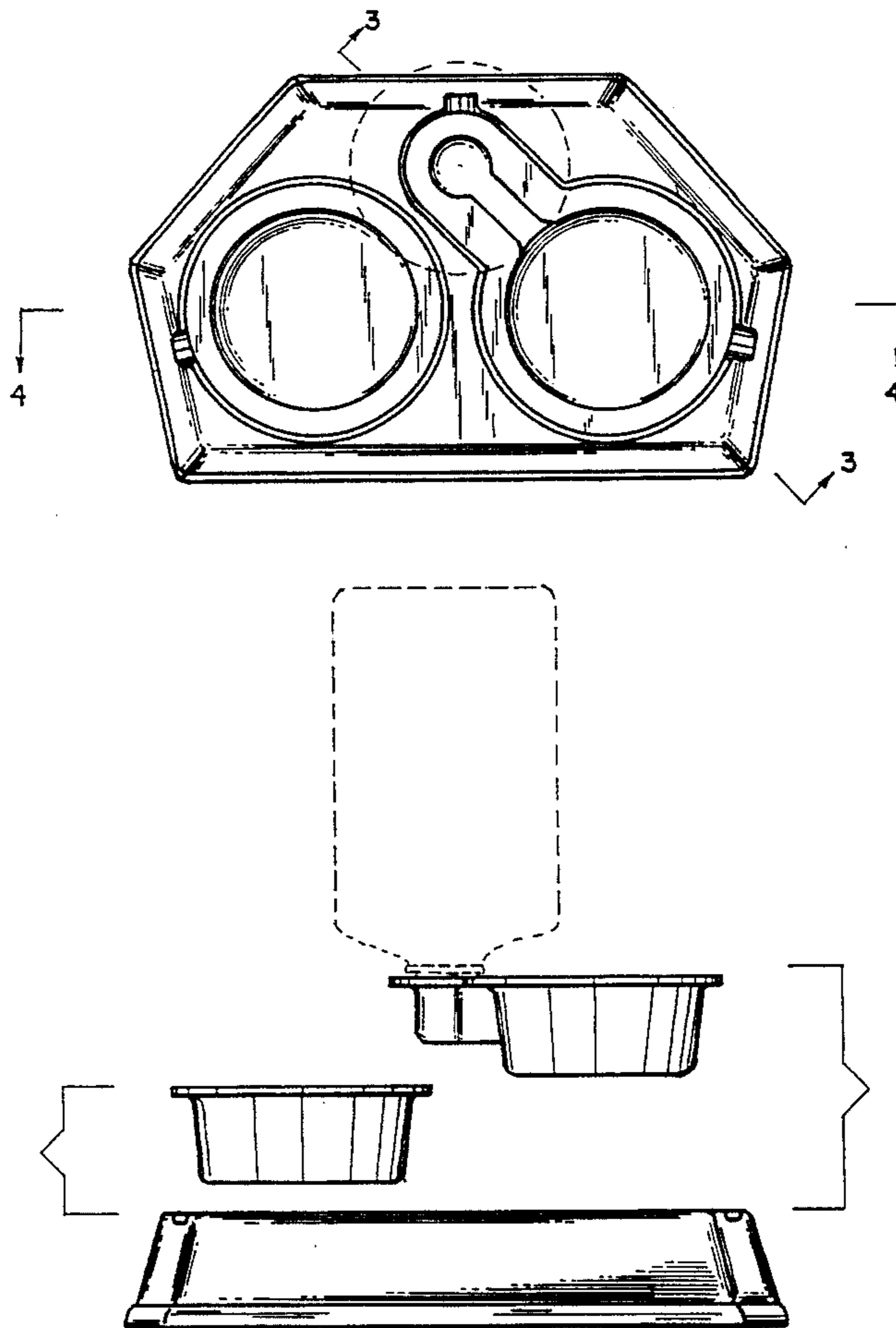
FIG. 1 is a top plan view of a combined pet food and liquid feeder showing my new design;
 FIG. 2 is an exploded front elevational view thereof;
 FIG. 3 is an exploded cross sectional view thereof taken on line 3—3 of FIG. 1;
 FIG. 4 is an exploded cross sectional view thereof taken on line 4—4 of FIG. 1;
 FIG. 5 is a rear elevational view thereof; and,
 FIG. 6 is a side elevational view thereof, the opposite side being a mirror image.
 The broken lines in FIGS. 1-3 are for purposes of illustration only and form no part of the claimed design.

[56] **References Cited**

U.S. PATENT DOCUMENTS

D. 336,555	6/1993	Goetz	D7/553
D. 350,842	9/1994	VanSkiver	D30/121
1,533,627	4/1925	Averill	119/77
4,573,434	3/1986	Gardner	119/77
4,840,143	6/1989	Simon	D30/121
5,207,182	5/1993	Lorenzana	119/77
5,259,336	11/1993	Clark	119/51.5

1 Claim, 3 Drawing Sheets



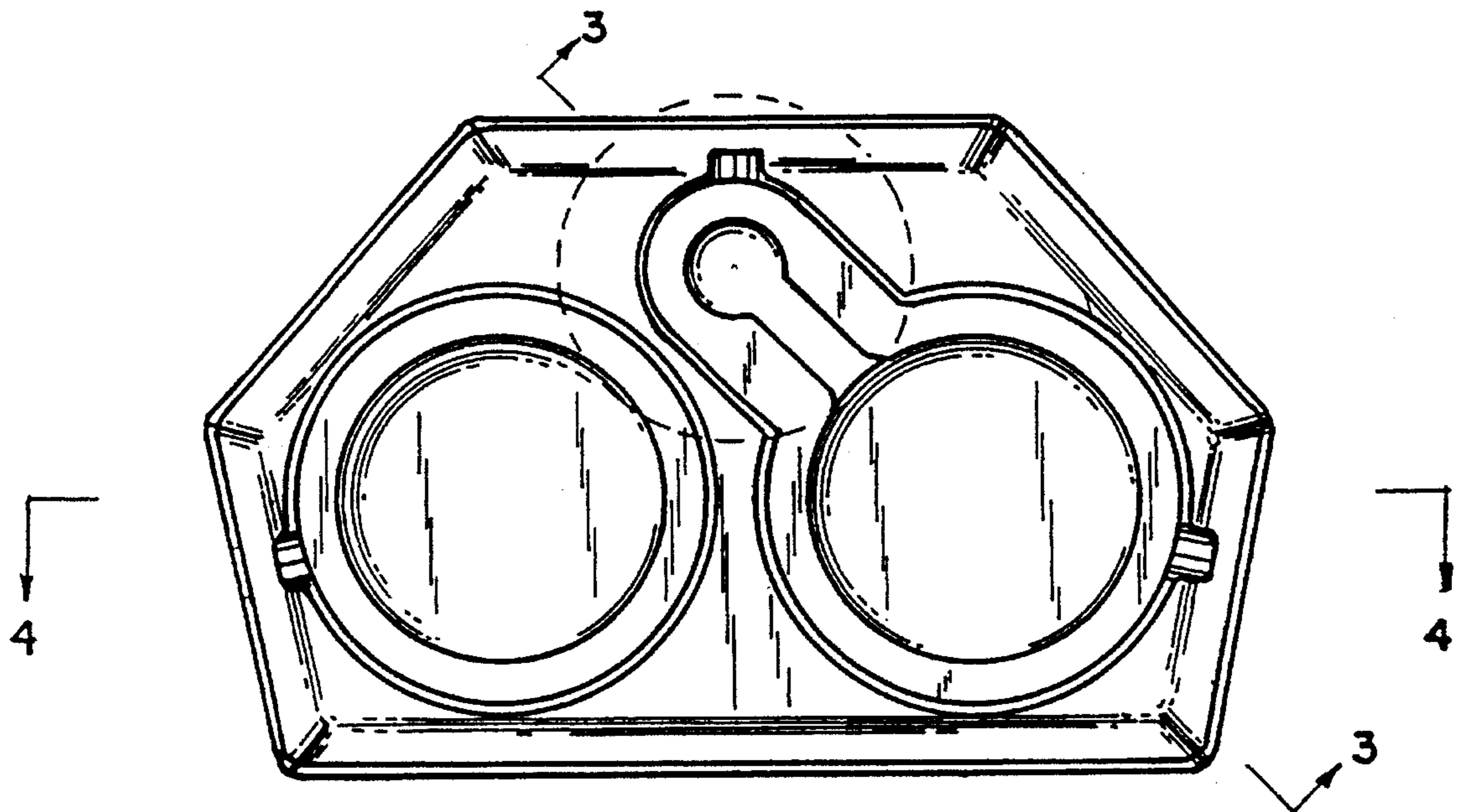


FIG. 1

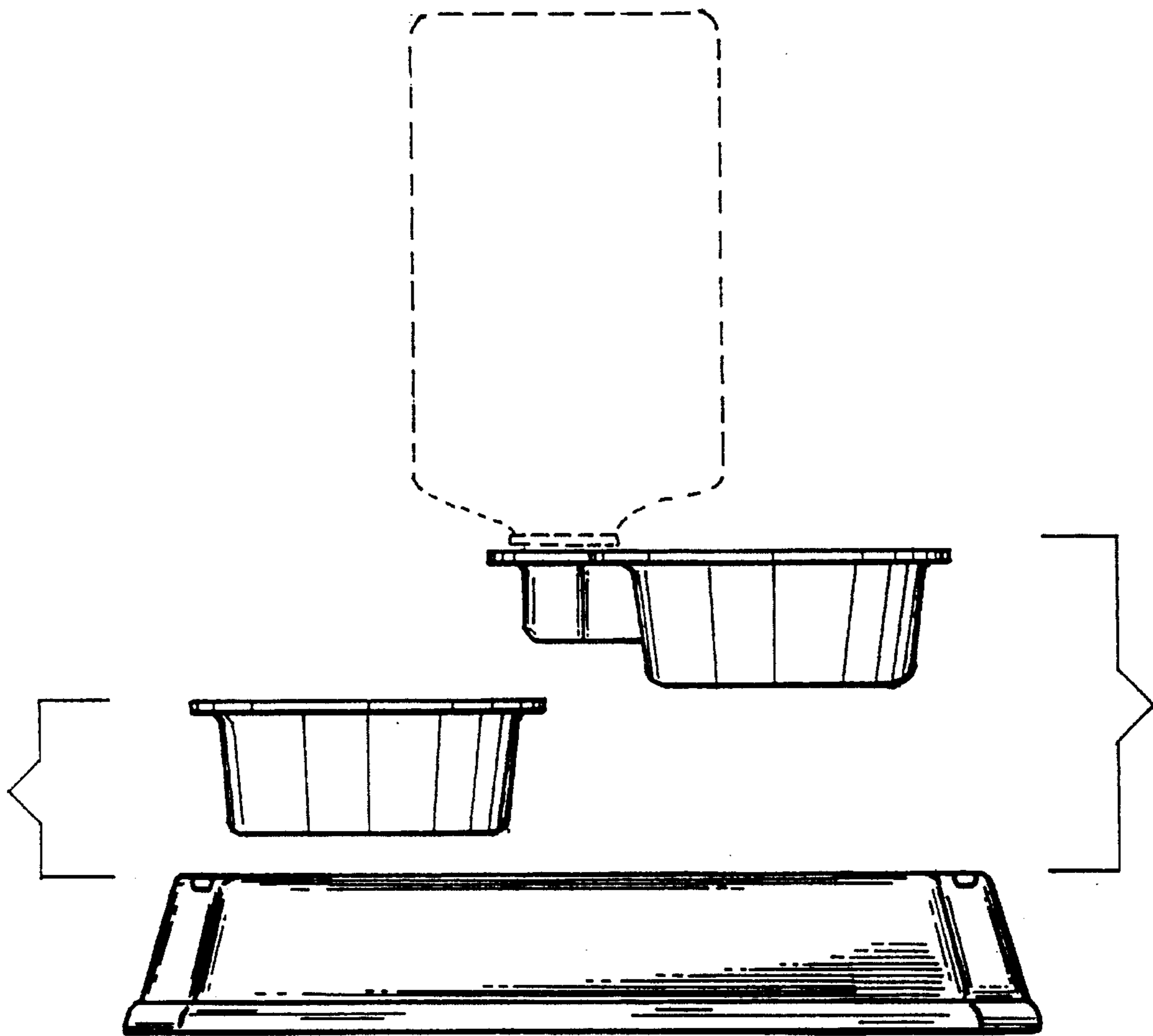


FIG. 2

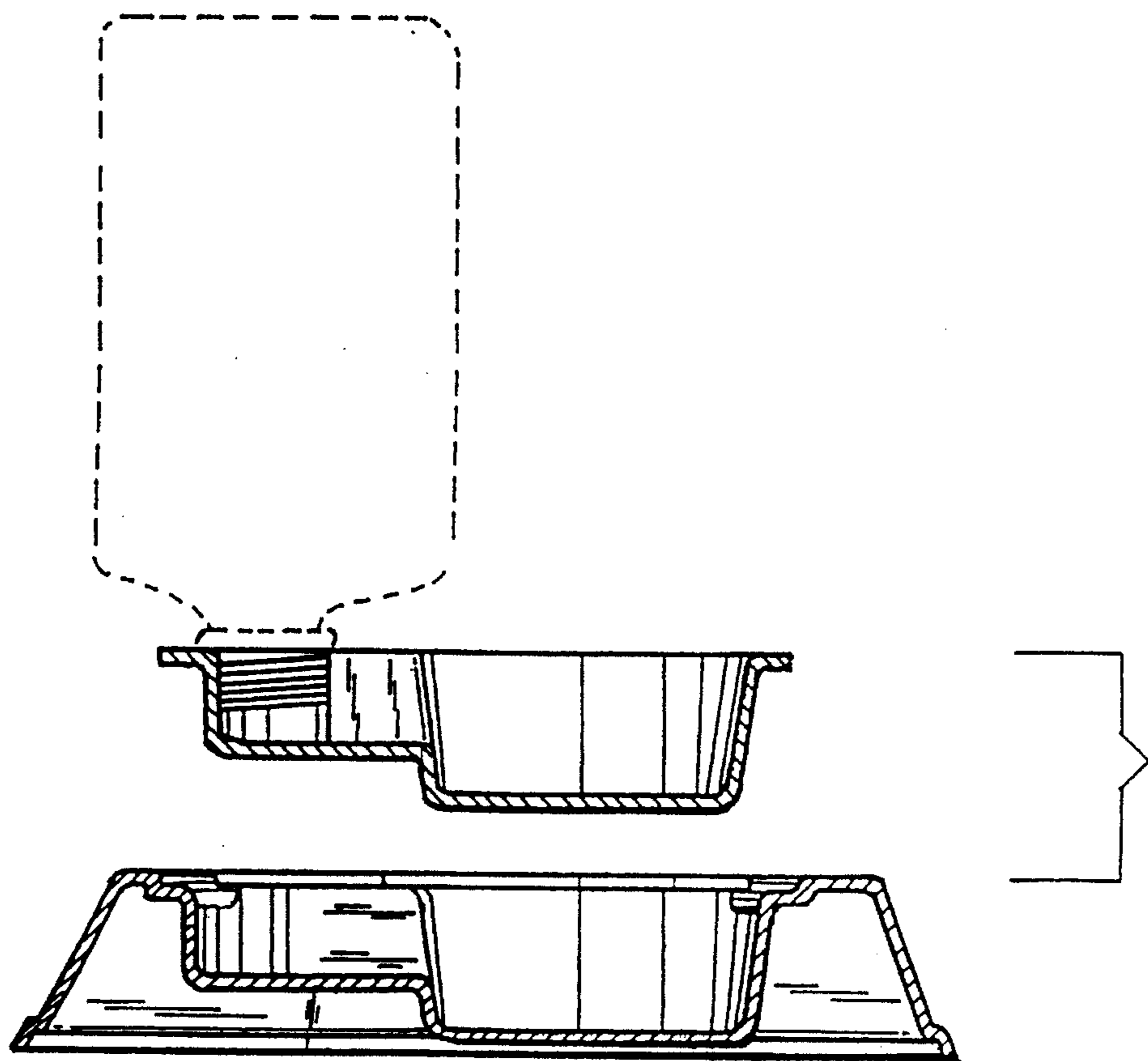


FIG. 3

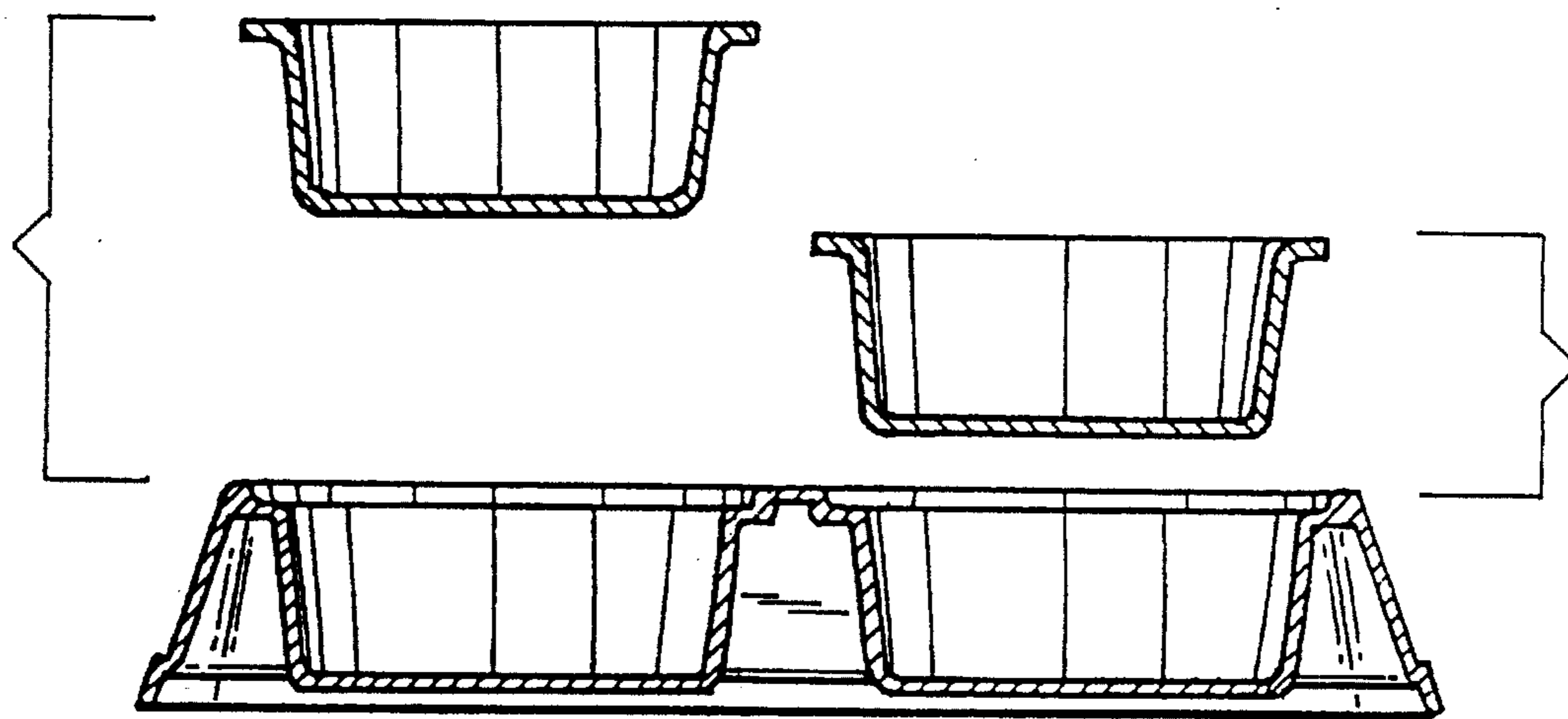


FIG. 4

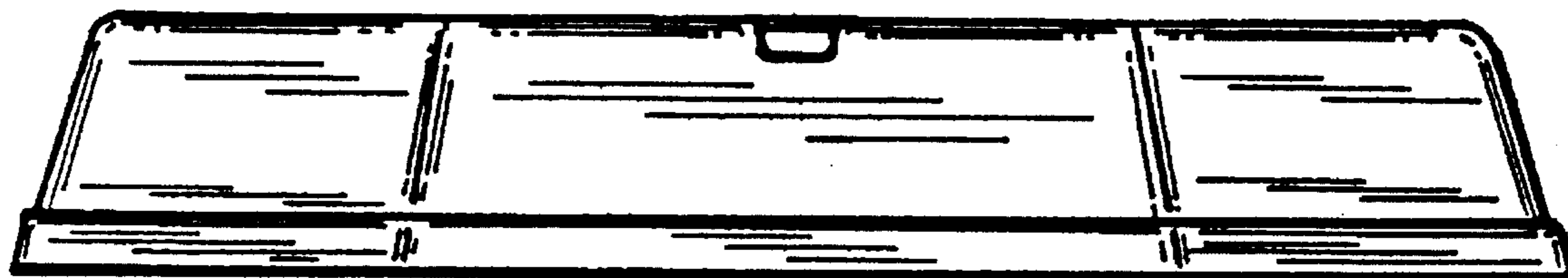


FIG. 5

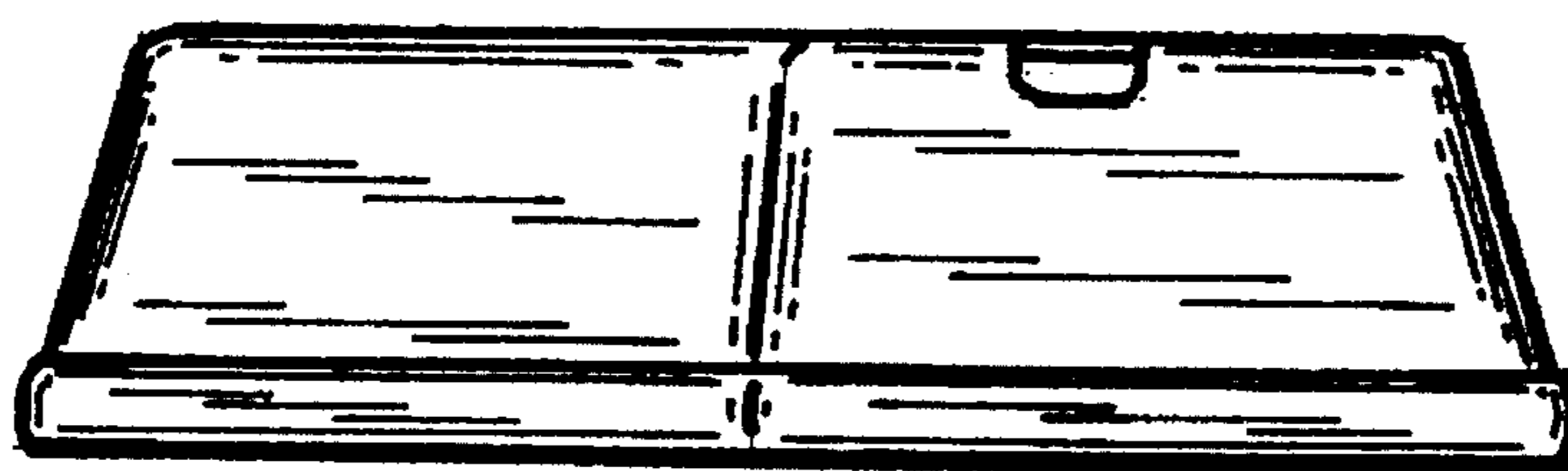


FIG. 6