



US00D367734S

United States Patent [19] Sharp

[11] Patent Number: **Des. 367,734**

[45] Date of Patent: ****Mar. 5, 1996**

[54] COMBINED KENNEL DOOR AND LATCH

[75] Inventor: **Doug Sharp**, Arlington, Tex.

[73] Assignee: **Doskocil Mfg. Co.**, Arlington, Tex.

[**] Term: **14 Years**

[21] Appl. No.: **23,828**

[22] Filed: **Jun. 1, 1994**

[52] U.S. Cl. **D30/119**

[58] Field of Search 119/15, 16, 17,
119/19, 165; D30/108, 109, 112-119, 161

[56] References Cited

U.S. PATENT DOCUMENTS

D. 308,429	6/1990	VanSkiver	D30/109
D. 312,333	11/1990	VanSkiver	D30/109
D. 351,688	10/1994	Northrop et al.	D30/119
2,560,661	7/1951	Poovey	D30/119
5,253,612	10/1993	Goetz	119/19
5,373,809	12/1994	Sphar	119/19
5,373,810	12/1994	Martin	119/17

FOREIGN PATENT DOCUMENTS

9406278	3/1994	WIPO	119/17
---------	--------	------	-------	--------

OTHER PUBLICATIONS

Master Animal Care Catalog; p. 7; Vari.Kennel (top left corner).

Primary Examiner—Cathy Anne MacCormac
Attorney, Agent, or Firm—Andrew J. Dillon

[57] CLAIM

The ornamental design for a combined kennel door and latch, as shown and described.

DESCRIPTION

FIG. 1 is a perspective view of the combined kennel door and latch of the present invention;

FIG. 2 is a top view of the combined kennel door and latch of the present invention;

FIG. 3 is a front view of the combined kennel door and latch of the present invention;

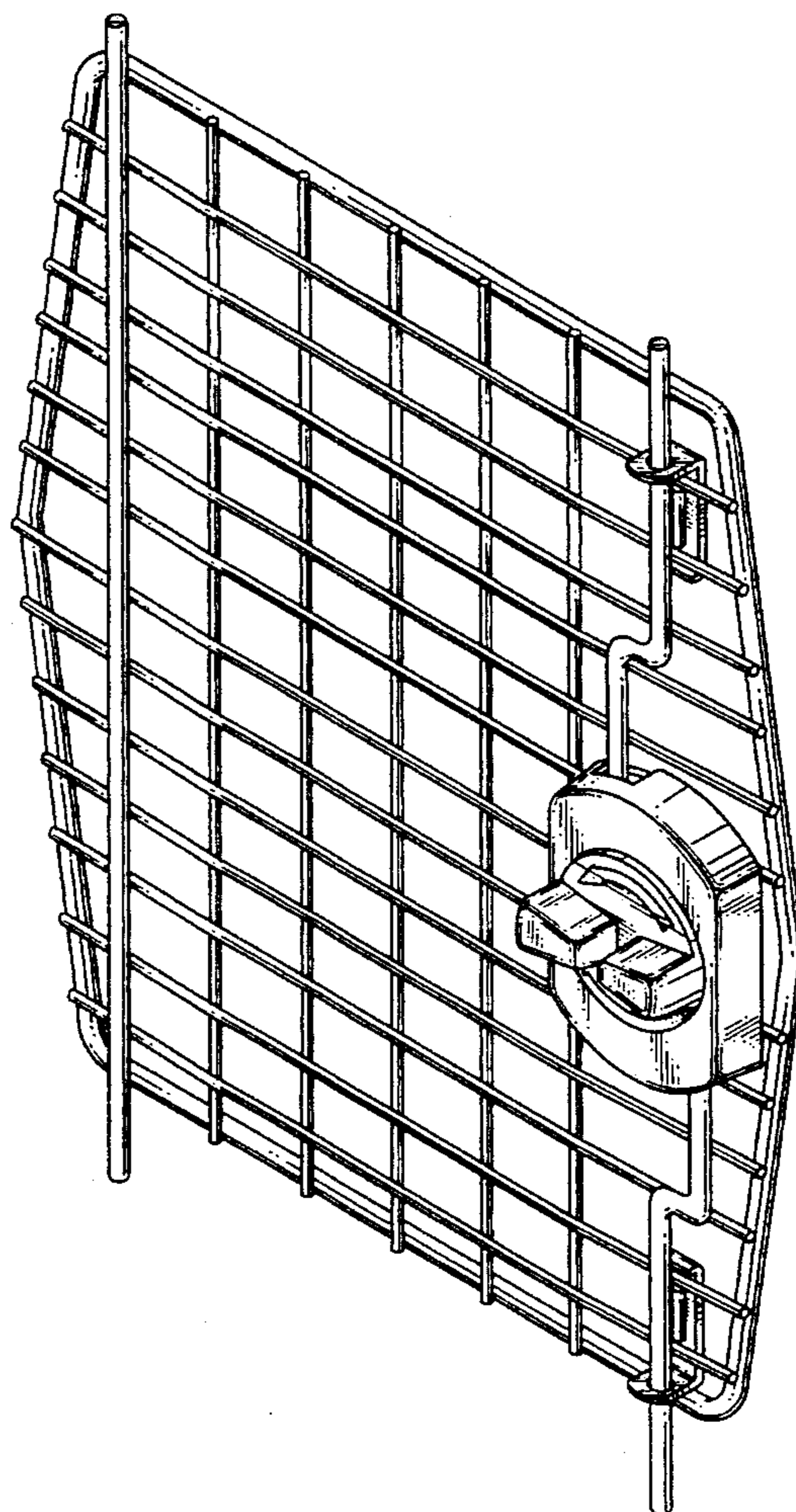
FIG. 4 is a side view of the combined kennel door and latch of the present invention;

FIG. 5 is a back view of the combined door and latch of the present invention;

FIG. 6 is the other side view of the combined kennel door and latch of the present invention; and,

FIG. 7 is a bottom view of the combined kennel door and latch of the present invention.

1 Claim, 3 Drawing Sheets



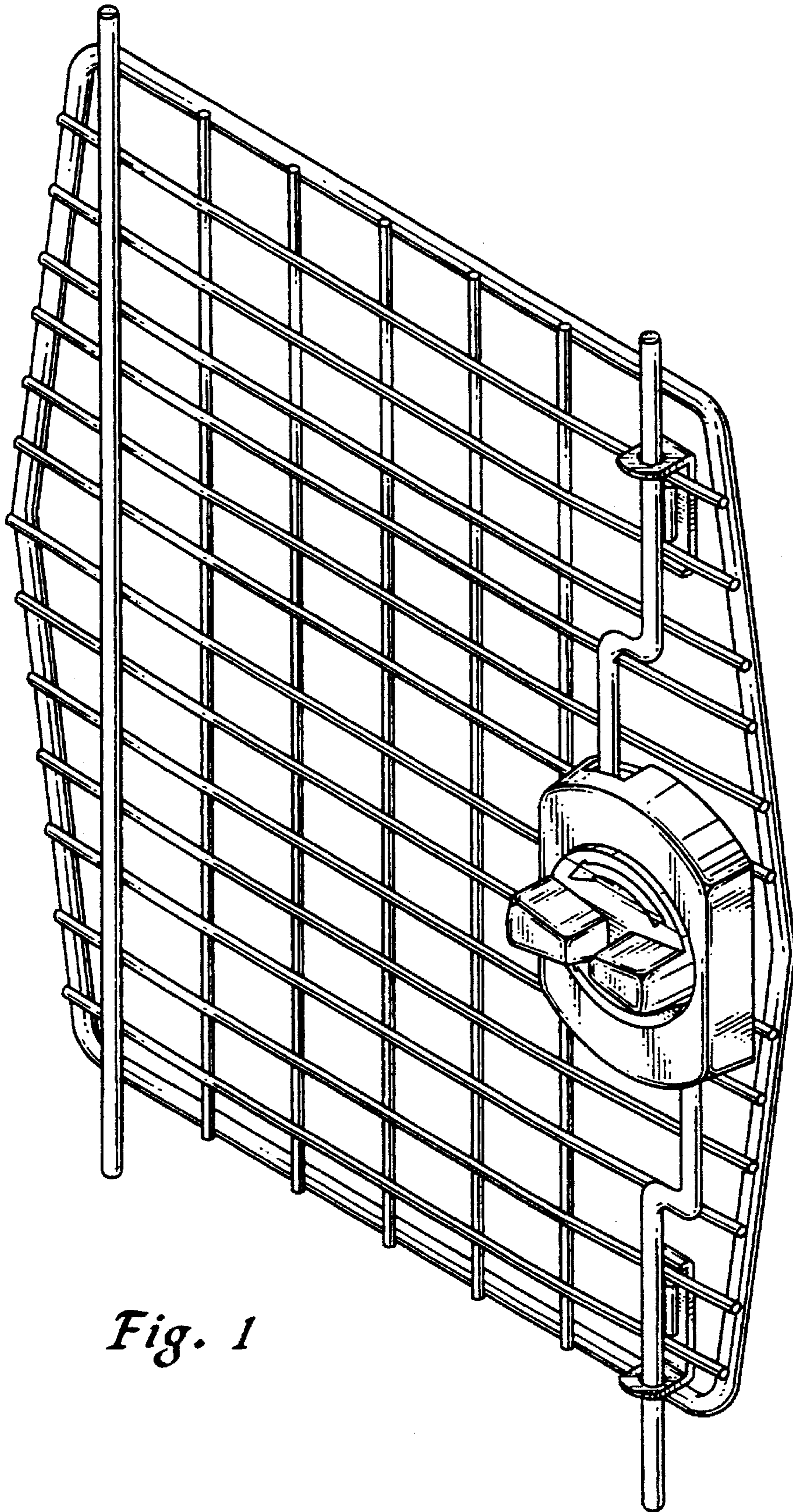


Fig. 1

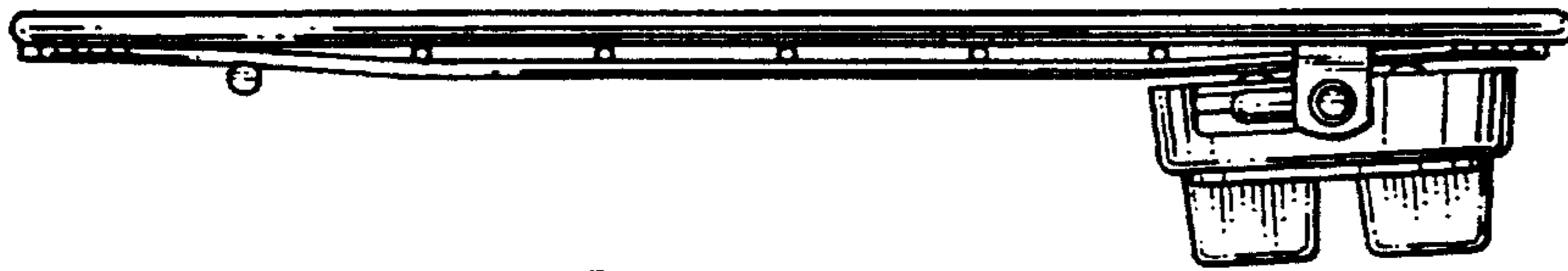


Fig. 2

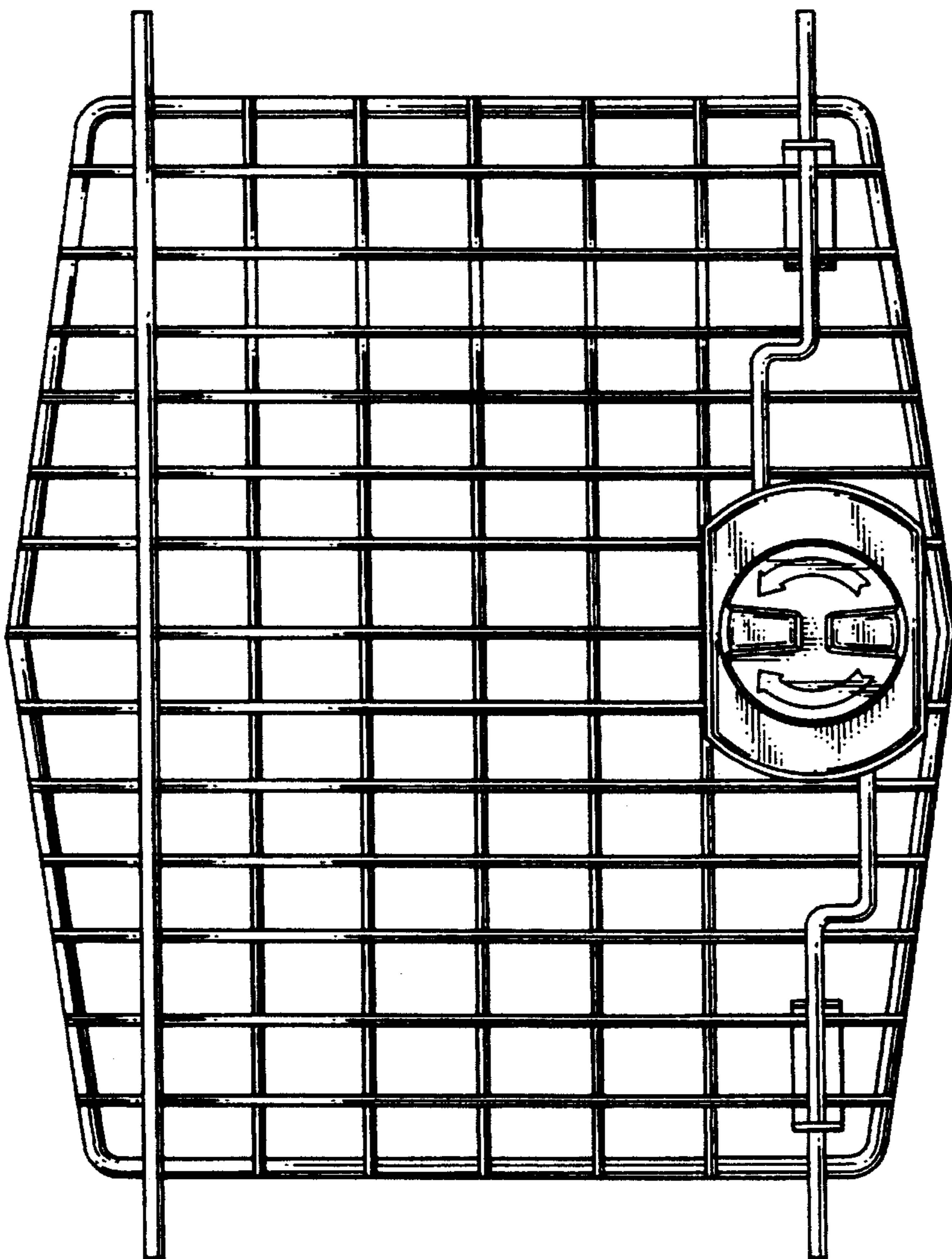


Fig. 3

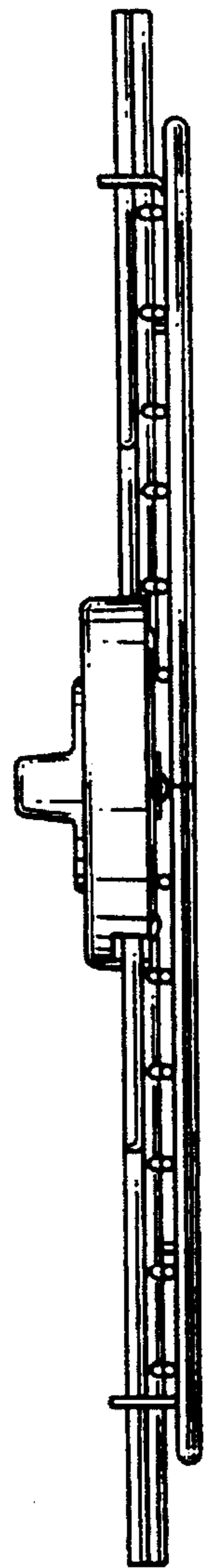


Fig. 4

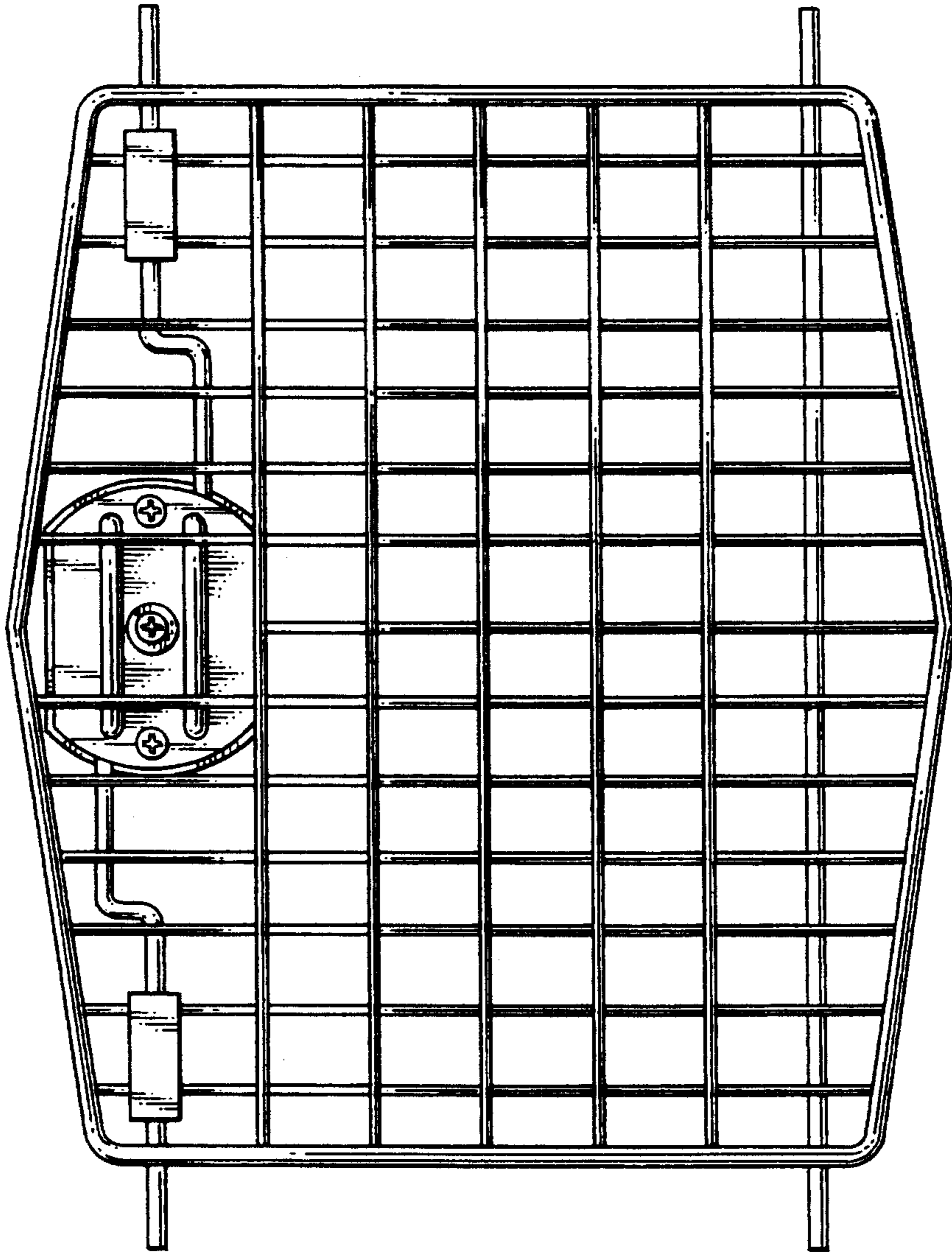


Fig. 5

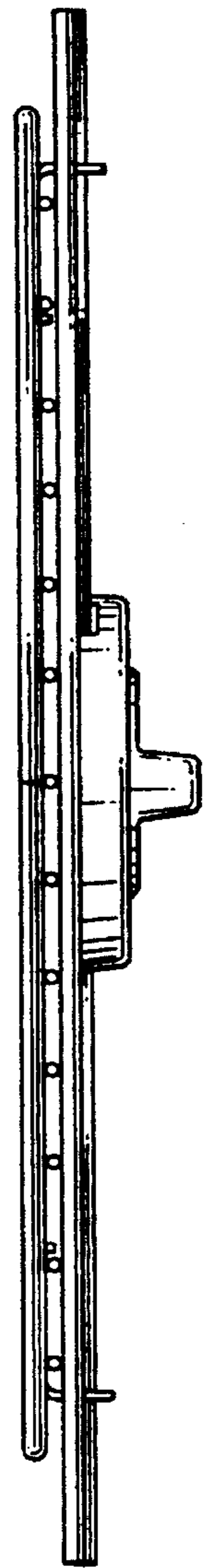


Fig. 6

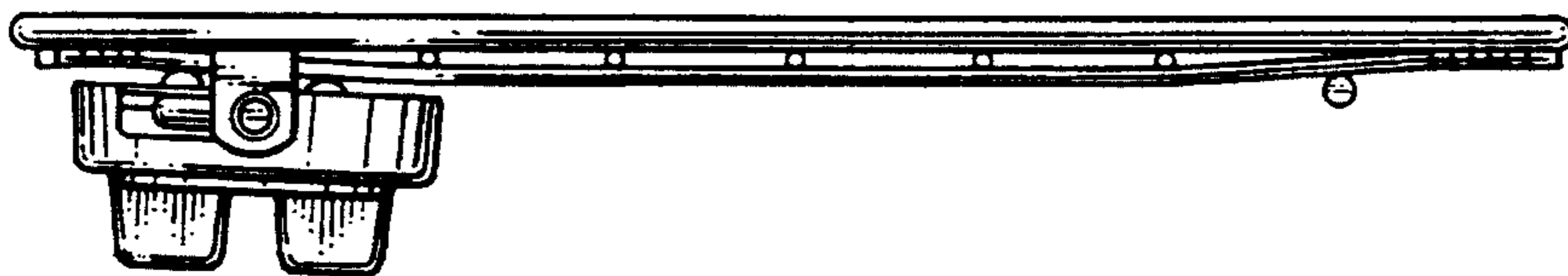


Fig. 7