



US00D367733S

United States Patent [19]

Paxman et al.

[11] Patent Number: **Des. 367,733**

[45] Date of Patent: ****Mar. 5, 1996**

[54] PET CARRIER

[75] Inventors: **Darrell R. Paxman**, Corona; **Aurelio F. Barreto, III**, Lake Matthews, both of Calif.

[73] Assignee: **Dogloo, Inc.**, Corona, Calif.

[**] Term: **14 Years**

[21] Appl. No.: **17,619**

[22] Filed: **Jan. 18, 1994**

[52] U.S. Cl. **D30/109**

[58] Field of Search 119/19, 15, 6.7;
D30/108-109, 161

[56] References Cited

U.S. PATENT DOCUMENTS

D. 45,392	3/1914	Matthai	119/19
D. 135,861	6/1943	Jarman	D25/7
D. 198,779	8/1964	Bredon	D25/31
D. 214,566	7/1969	Swinney	D30/109
D. 220,961	6/1971	Ringelman	D30/109
D. 224,934	10/1972	Gilstrap	D30/108
D. 225,121	11/1972	Mashburn	D30/108
D. 227,126	6/1973	Brison	D30/109
D. 237,283	10/1975	Evans	D30/117
D. 246,540	11/1977	Burleson	D30/112
D. 306,196	2/1990	Muirhead	D21/253
D. 308,429	6/1990	Van Skiver	D30/109
D. 308,589	6/1990	Shay	D30/161
D. 314,251	1/1991	Van Skiver	D30/109
D. 326,740	6/1992	Barreto, III et al.	D30/118
D. 327,340	6/1992	Barreto, III et al.	D30/118
D. 327,341	6/1992	Barreto, III et al.	D30/118
D. 328,162	7/1992	Barreto, III et al.	D30/118
D. 334,087	3/1993	Goetz	D30/108
689,168	12/1901	Conroy	119/19
1,029,144	6/1912	Rich	119/19
1,126,333	1/1915	Adams	119/19

(List continued on next page.)

FOREIGN PATENT DOCUMENTS

2514990	4/1983	France	
955581	4/1964	United Kingdom	119/28.5

OTHER PUBLICATIONS

Advertisement for Dogloo Tee Pee, Cat Track by Daskocil, Cat Track Bed Cover, Lazy Pet Tunnel Mat, Dallas Mfg. Wag Bag, Dallas Mfg. Plush Hooded Cat Bed, Lazy Pet Cedar Throw Pillow, Lazy Pet Cotton Fur Combo Lounger, Lazy Pet Dura Longer, and Revlis Wicker Bed.
 Advertisement for Dinghyloo™ Form Fitted™, Trademark of Dogloo, Apr. 1991.
 Advertisement for Dogloo, Inc., Cat Tee Pee, 1990.
 Advertisement for Dogloo, Inc. Deluxe Cat Tee Pee, 1990.
 Advertisement for Dogloo, Inc. Deluxe Dog Tee Pee™, 1990.
 Advertisement for Snugglyloo™, Indoor-Outdoor 6" Thick Deluxe Bean Bag Pet Bed.
 Cat Toys and Beds, 1992 Doctor's Foster & Smith's Housing Pet Beds, pp. 66 & 99.
 Advertisement for CatFancy, Sep. 1991.
 Out of the Official Gazette, Animal Mattress, Mar. 26, 1991, p. 1886.
 Official Gazette; Pet Bed, Apr. 30, 1991; p. 2530.
 Official Gazette; Pet Litter Box; Jul. 1991; p. 118.
 Stylette Pet Products brochure, Cover pg.
 Wholesale Veterinary Supply Catalog; Kennel Cab II #11535; Daskocil Litter Pan #25797A, #25797c and #25797.
 Swing A Cat by Catac Products advertisement in Design 408; p. 78; Dec. 1982.

Primary Examiner—Cathy Anne MacCormac
Attorney, Agent, or Firm—Knobbe, Martens, Olson & Bear

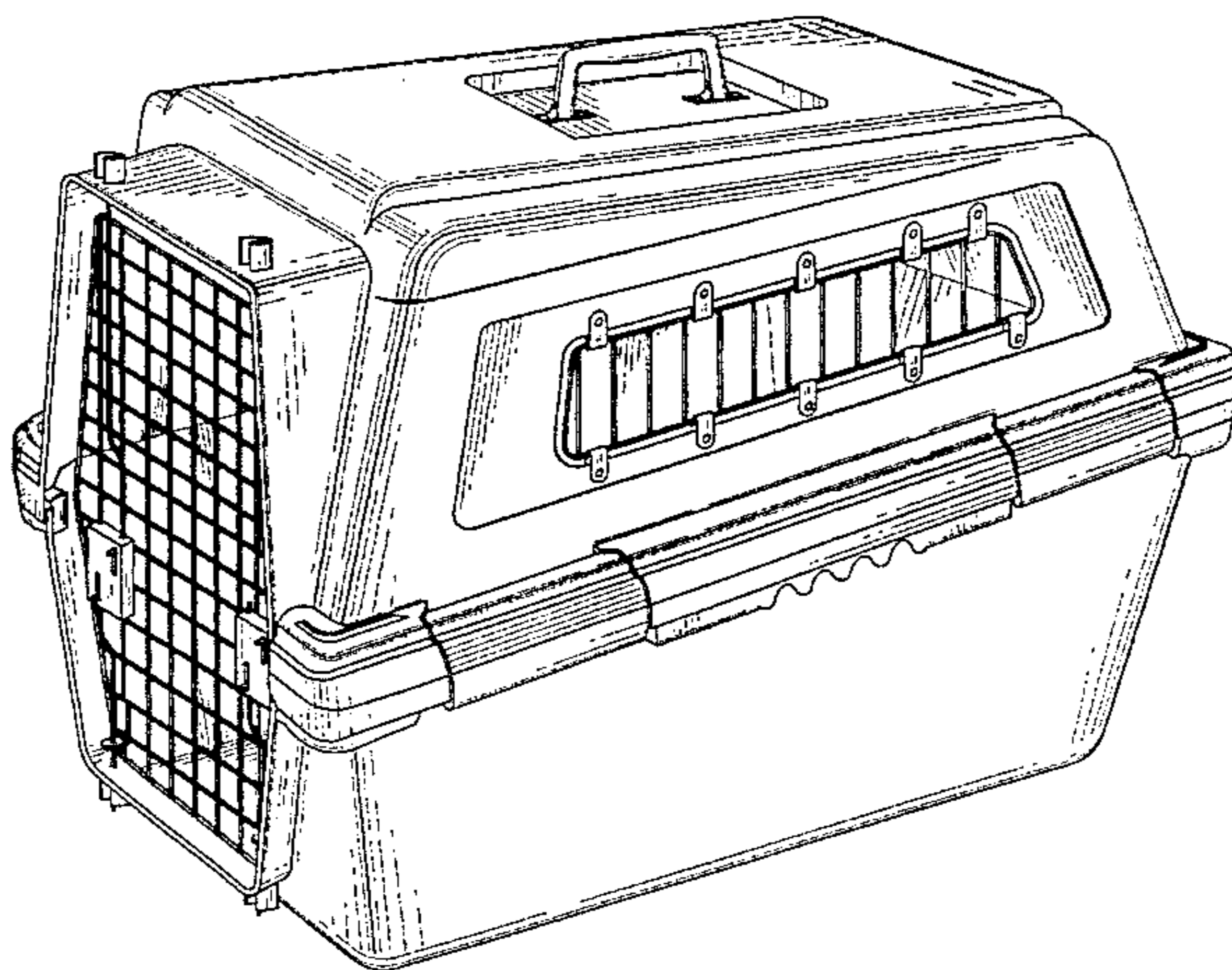
[57] CLAIM

The ornamental design for a pet carrier, as shown and described.

DESCRIPTION

FIG. 1 is a perspective view of the pet carrier of the present invention;
 FIG. 2 is a right-side elevational view of the pet carrier of FIG. 1, the left-side elevational view being a mirror image of the right-side elevational view;
 FIG. 3 is a front elevational view of the pet carrier of FIG. 1;
 FIG. 4 is a rear elevational view of the pet carrier of FIG. 1;
 FIG. 5 is a top plan view of the pet carrier of FIG. 1; and
 FIG. 6 is a bottom plan view of the pet carrier of FIG. 1.

1 Claim, 4 Drawing Sheets



Des. 367,733

Page 2

U.S. PATENT DOCUMENTS

2,047,748	7/1936	Schmidt	D21/253	4,008,687	2/1977	Keys	119/19
2,987,043	6/1961	Spindler	119/786	4,010,880	3/1977	Guillot-Munoz	224/275
3,147,736	9/1964	Daniel	119/19	4,057,031	11/1977	Williams et al.	119/28.5
3,176,698	4/1965	Warner	D21/253	4,256,056	3/1981	Sou	119/19
3,406,698	10/1968	Hutchison	135/92	4,696,257	9/1987	Neary et al.	119/19
3,490,417	1/1970	Swinney	119/19	4,729,343	3/1988	Evans	119/19
3,565,040	2/1971	Pohl	119/28.5	4,763,604	8/1988	Meekins	119/28.5
3,771,686	11/1973	Brisson	119/19	4,852,520	8/1989	Goetz	119/19
3,814,058	6/1974	Thompson	119/19	4,860,689	8/1989	Stewart	119/28.5
3,902,456	9/1975	David	119/28.5	4,899,693	2/1990	Arnold	119/28.5
3,989,008	11/1976	Neumann	119/19	5,000,116	3/1991	Fife et al.	119/28.5
					5,033,408	7/1991	Langenahn	119/28.5
					5,136,981	8/1992	Barreto, III et al.	119/28.5
					5,154,137	10/1992	Stanaland	119/19
					5,357,900	10/1994	Ho	119/19

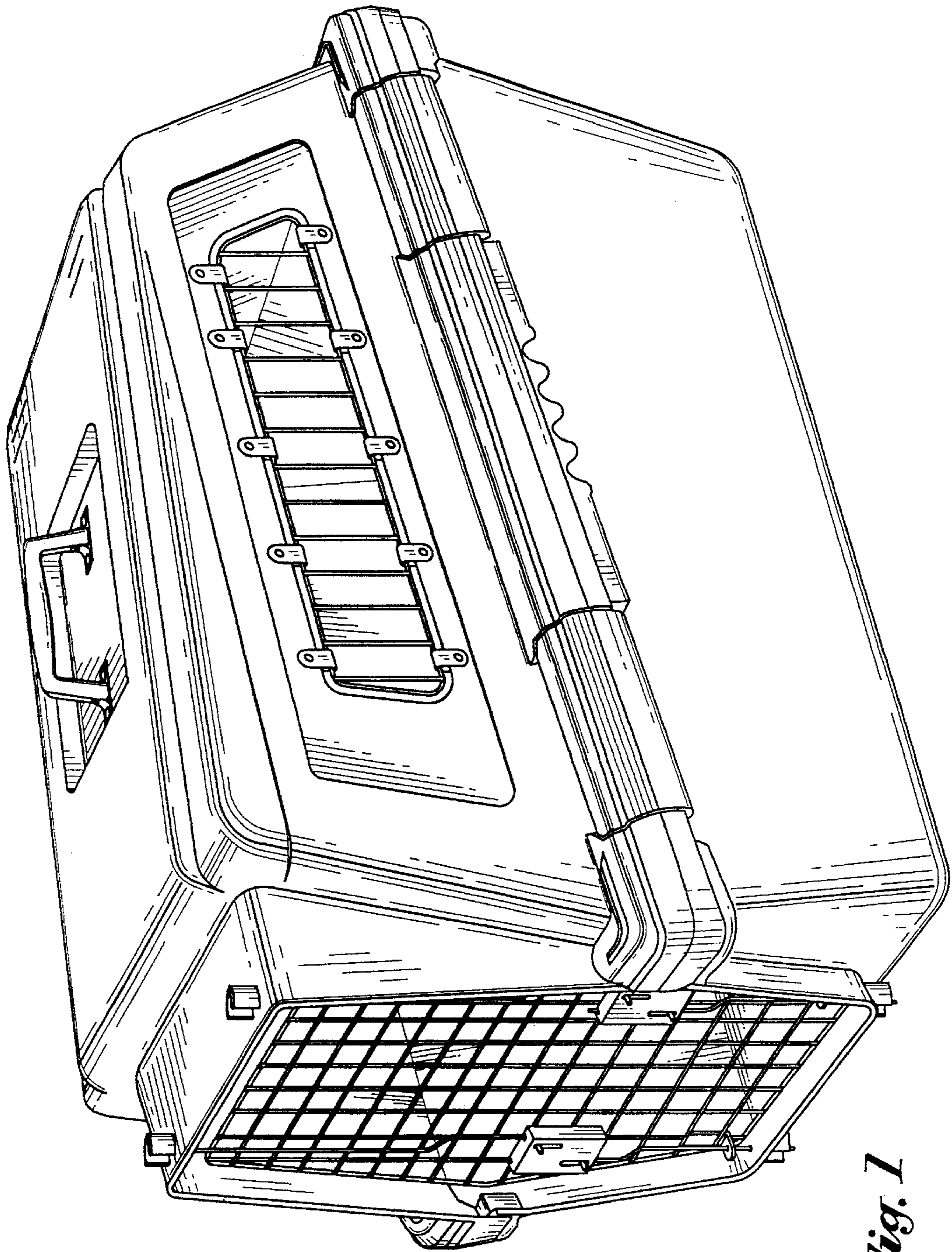


Fig. 1

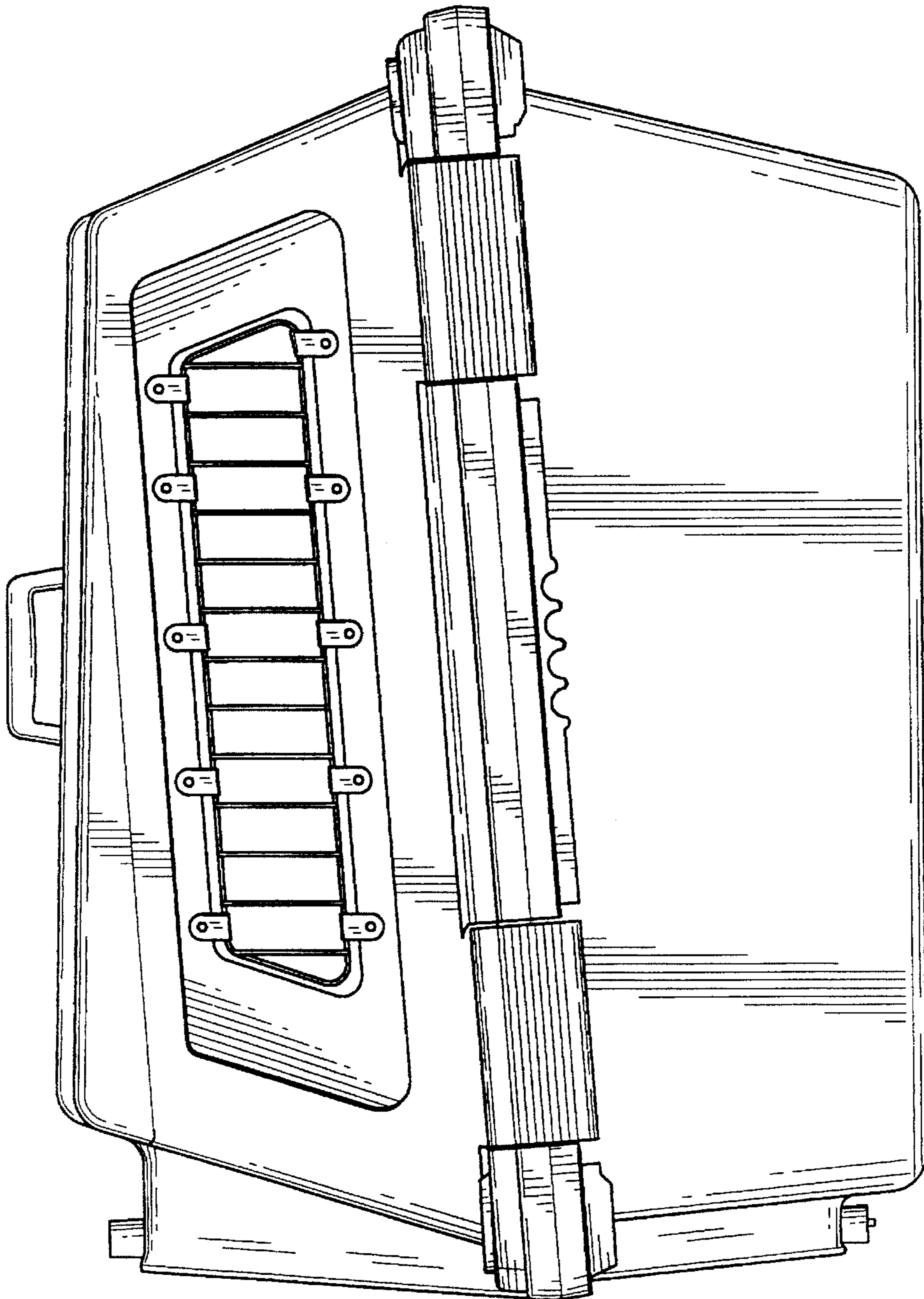


Fig. 2

Fig. 3

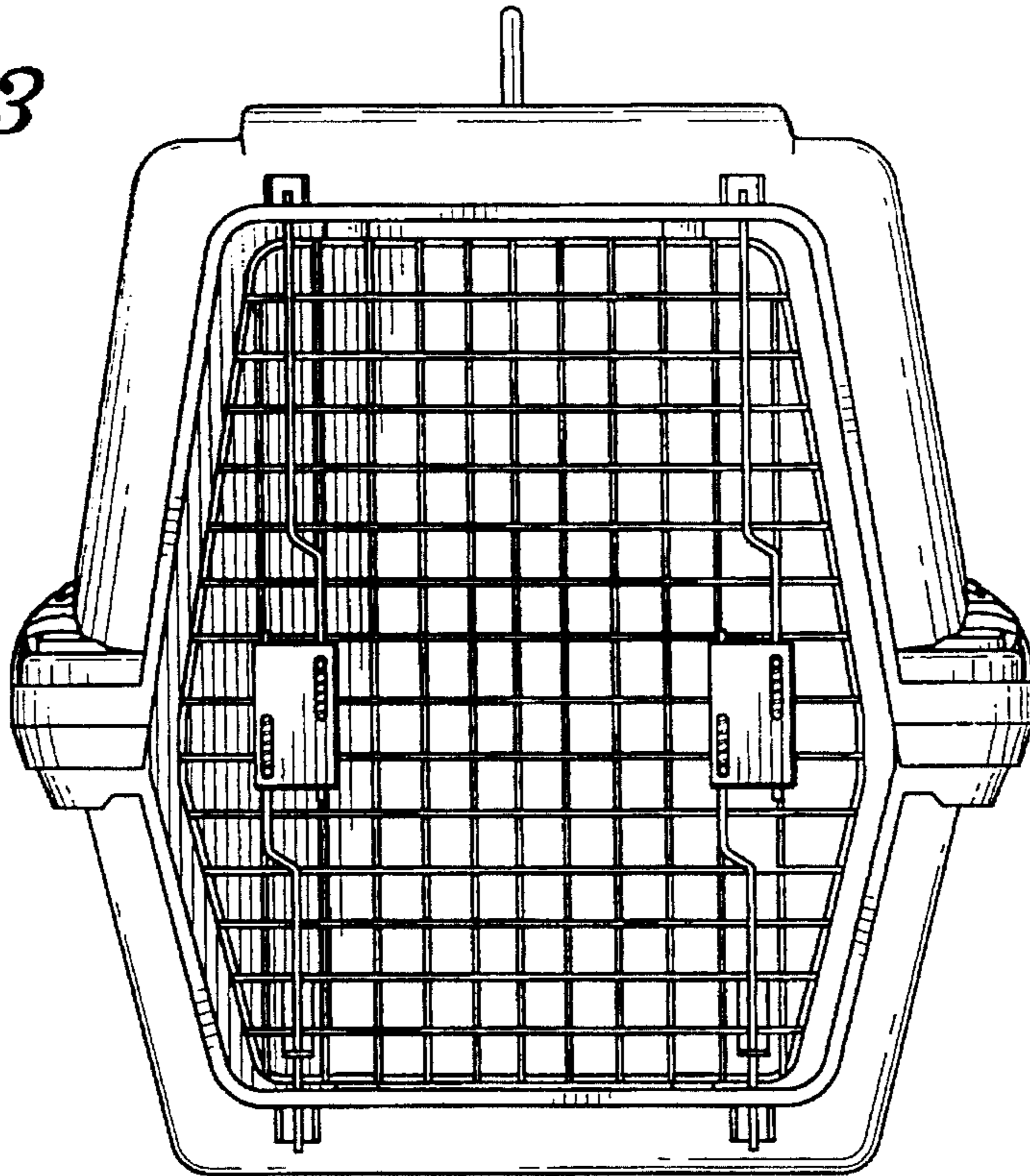


Fig. 4

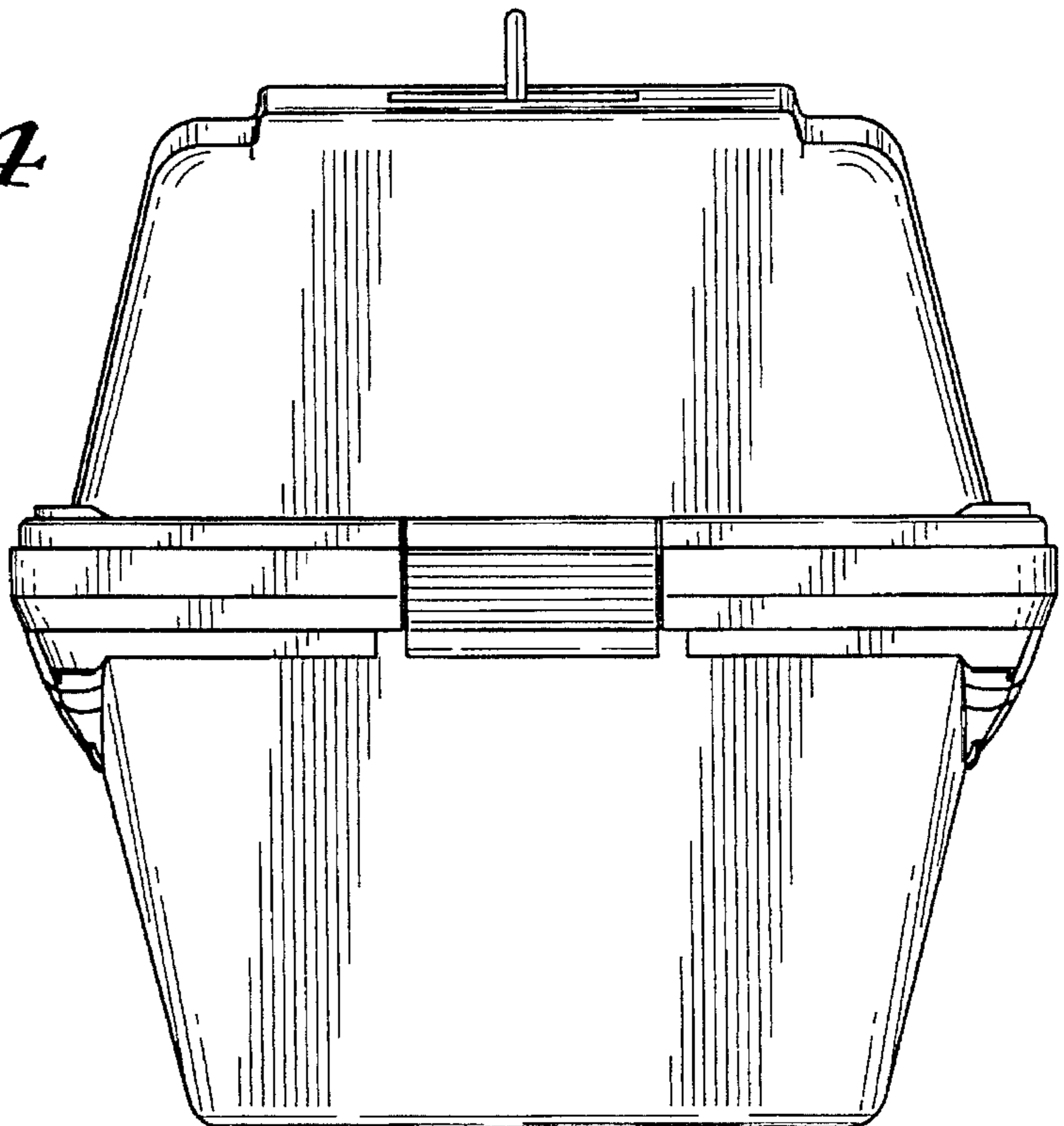


Fig. 5

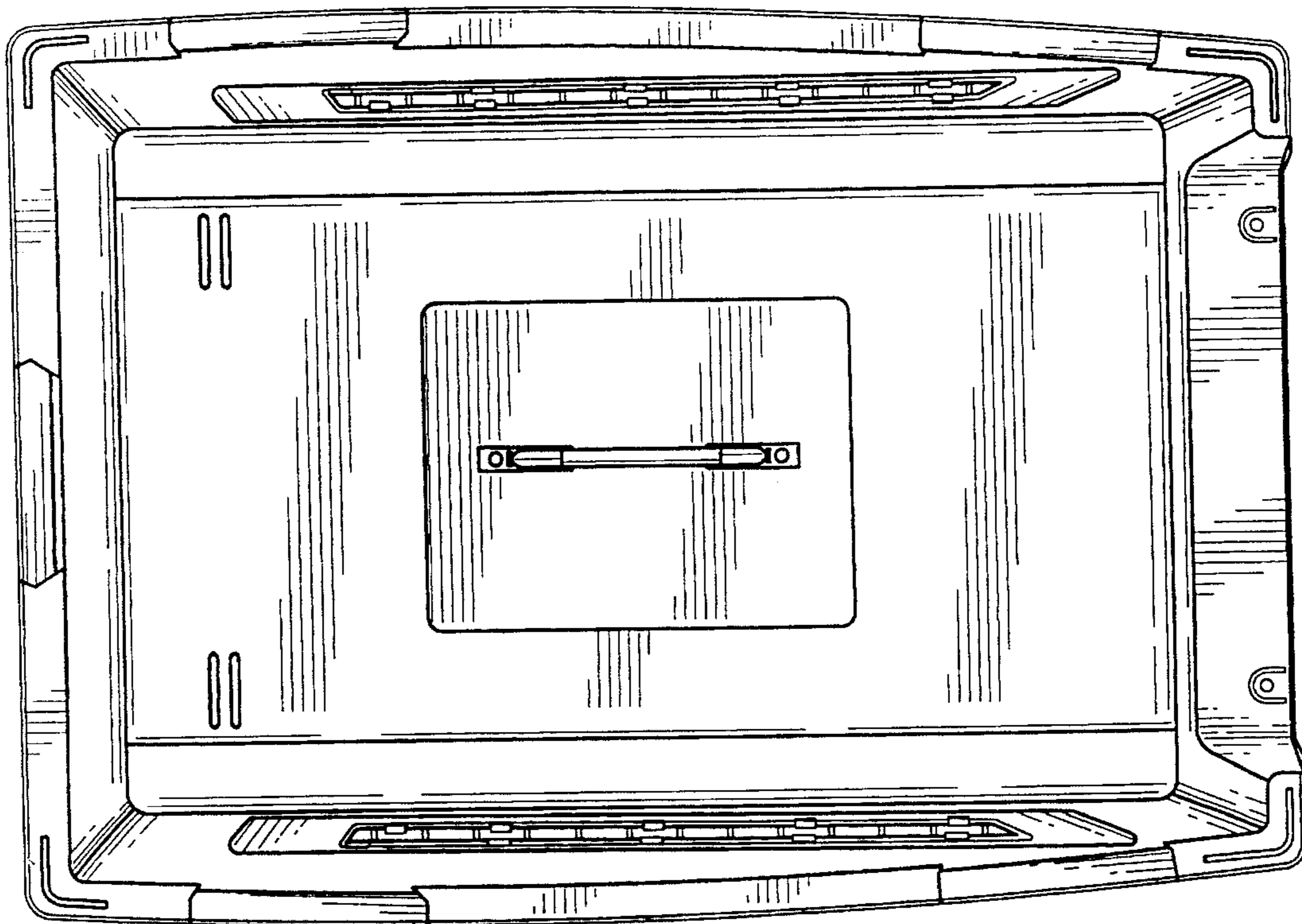


Fig. 6

