



US00D367727S

# United States Patent [19]

Rittenhouse, Jr. et al.

[11] Patent Number: **Des. 367,727**

[45] Date of Patent: **\*\*Mar. 5, 1996**

## [54] HAIR DRYER

[75] Inventors: **James M. Rittenhouse, Jr.**, New Canaan; **H. Roy Taylor**, Stratford, both of Conn.

[73] Assignee: **Conair Corporation**, Stamford, Conn.

[\*\*] Term: **14 Years**

[21] Appl. No.: **33,407**

[22] Filed: **Jan. 12, 1995**

[52] U.S. Cl. .... **D28/13**

[58] Field of Search ..... **D28/13-18; 34/96-101; 392/384, 385, 379, 380, 383**

## [56] References Cited

### U.S. PATENT DOCUMENTS

|            |         |                |       |        |
|------------|---------|----------------|-------|--------|
| D. 248,169 | 6/1978  | Yamamoto       | ..... | D28/13 |
| D. 268,369 | 3/1983  | McBrien        | ..... | D28/13 |
| D. 268,370 | 3/1983  | McBrien        | ..... | D28/13 |
| D. 276,941 | 12/1984 | Stansbury, Jr. | ..... | D28/13 |
| D. 277,789 | 2/1985  | Pajak          | ..... | D28/13 |
| D. 300,064 | 2/1989  | Francis et al. | ..... | D28/13 |
| D. 350,414 | 9/1994  | Rizzuto, Jr.   | ..... | D28/13 |
| D. 353,224 | 12/1994 | Rizzuto, Jr.   | ..... | D28/13 |

### FOREIGN PATENT DOCUMENTS

|         |        |          |       |         |
|---------|--------|----------|-------|---------|
| 1818066 | 5/1993 | U.S.S.R. | ..... | 392/379 |
|---------|--------|----------|-------|---------|

## OTHER PUBLICATIONS

Design Aug. 1980: p. 35: hair dryer at center of page.  
Hong Kong Enterprise Jan. 1985, p. 337: item #WH-28 in upper right corner of page.

Hong Kong Enterprise Mar. 1987, p. 273: hair dryer at top of page shown by arrow.

Hong Kong Enterprise Jun. 1992, p. 264: item #PT-21 in upper left corner of page.

*Primary Examiner*—Ted Shooman

*Assistant Examiner*—C. Tuttle

*Attorney, Agent, or Firm*—Haynes N. Johnson

## [57] CLAIM

The ornamental design for a hair dryer, as shown and described.

## DESCRIPTION

FIG. 1 is a perspective view of a hair dryer showing our new design;

FIG. 2 is a top plan view thereof;

FIG. 3 is a bottom plan view thereof;

FIG. 4 is a left side elevation view thereof;

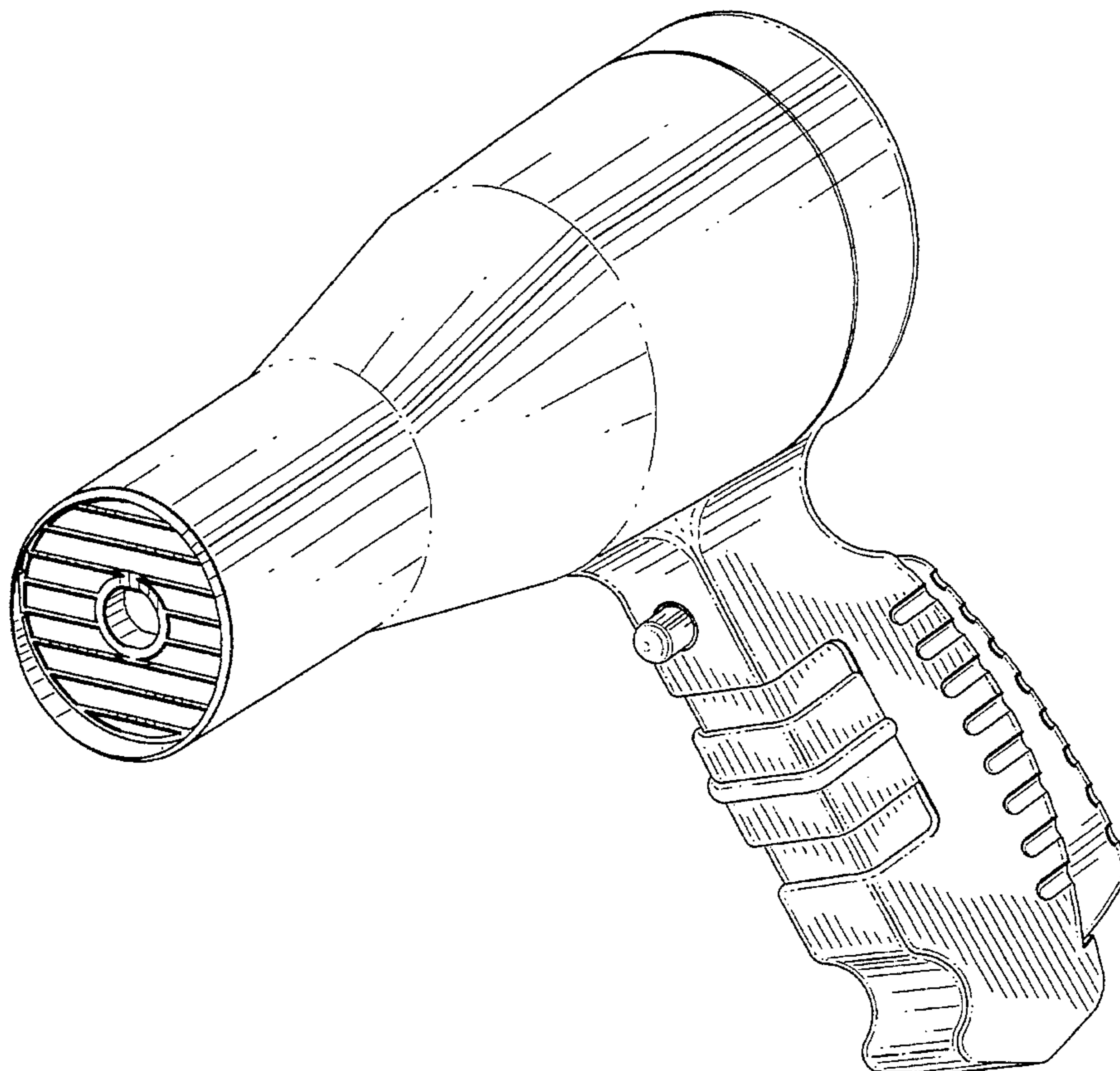
FIG. 5 is a right side elevation view thereof;

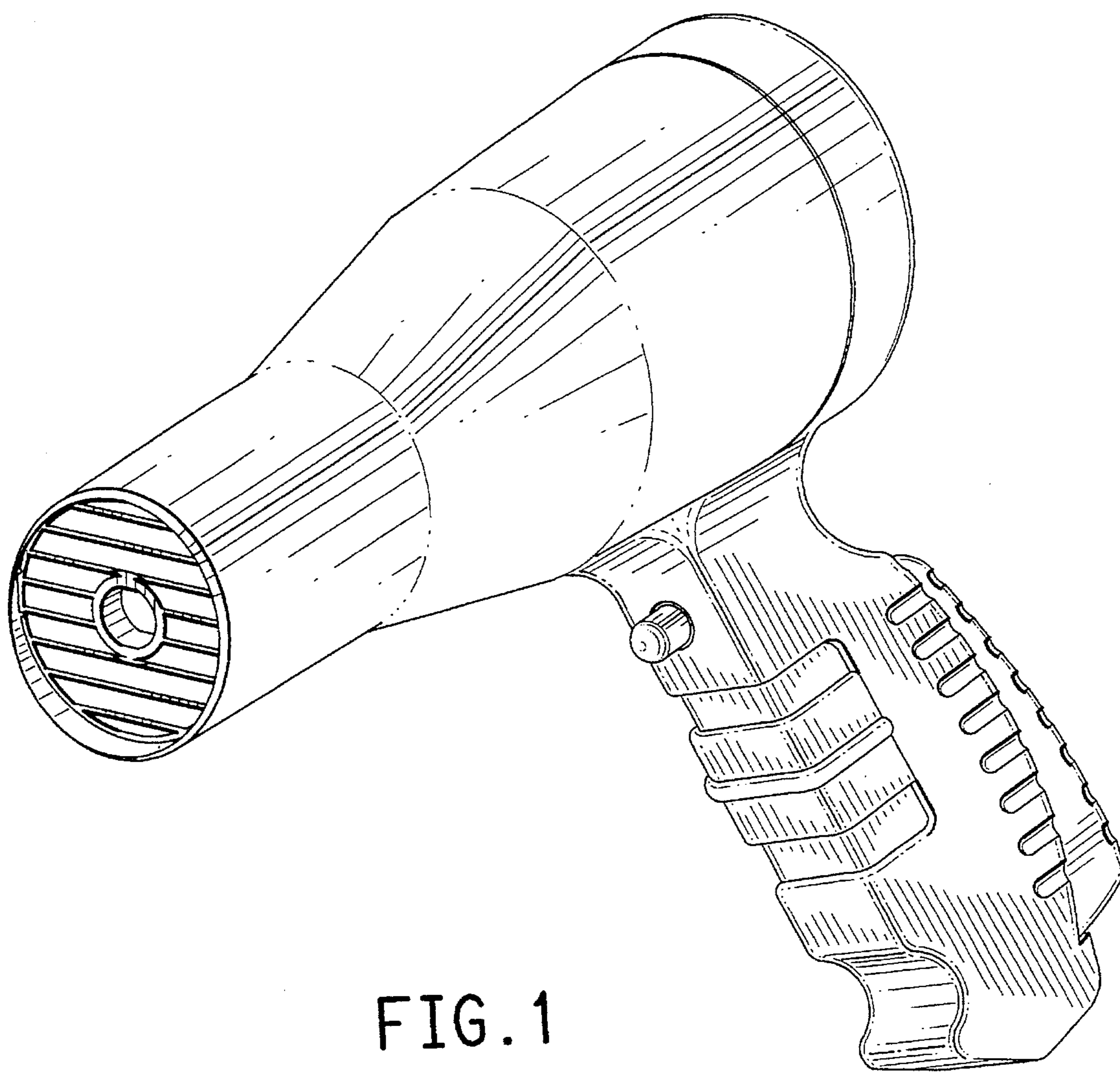
FIG. 6 is a front elevation view thereof; and,

FIG. 7 is a rear elevation view thereof.

The cord portion of the design is shown partially broken away in FIGS. 3-5 to indicate indeterminate length; and omitted in FIGS. 1, 6 and 7 for ease of illustration.

**1 Claim, 4 Drawing Sheets**





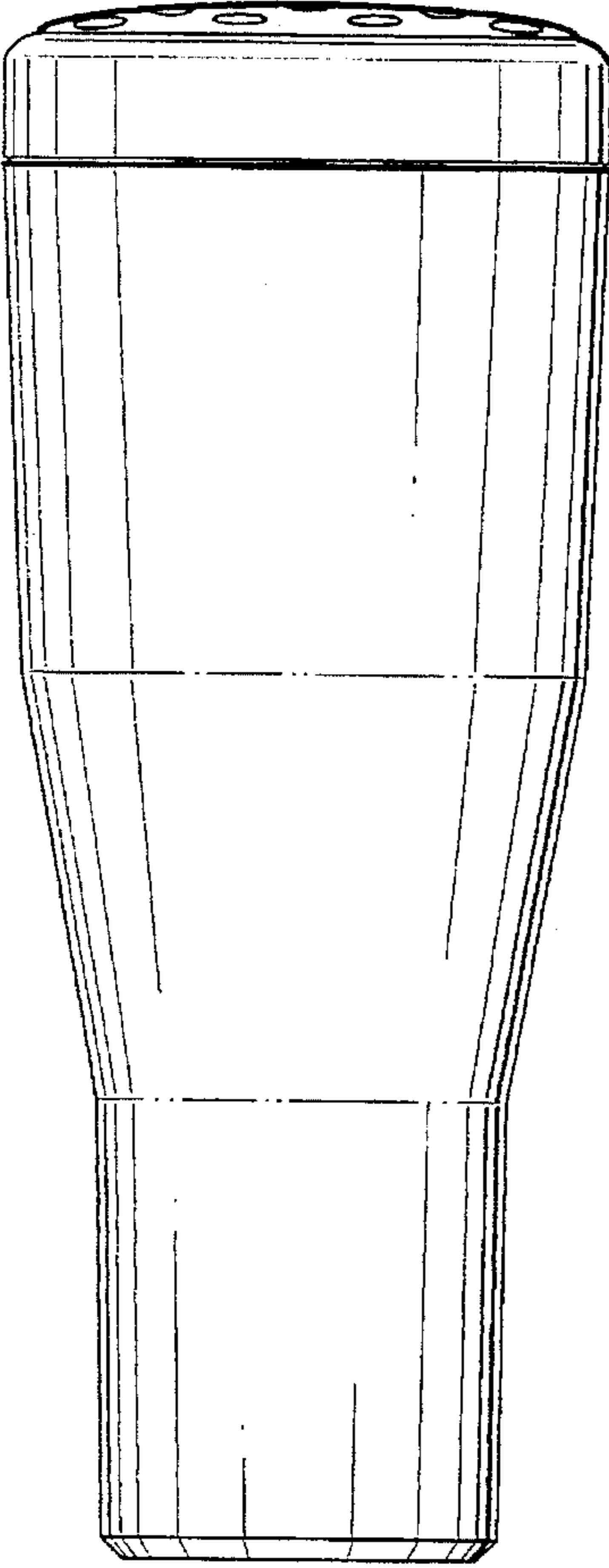


FIG. 2

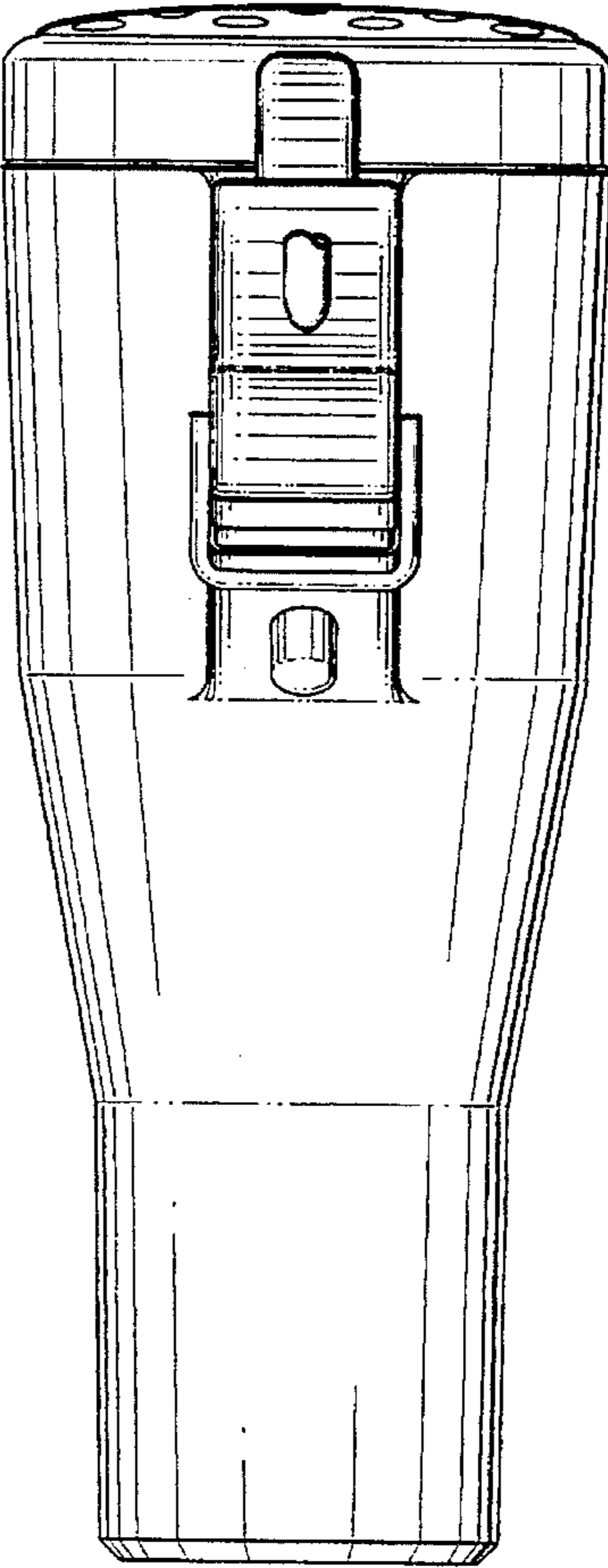


FIG. 3

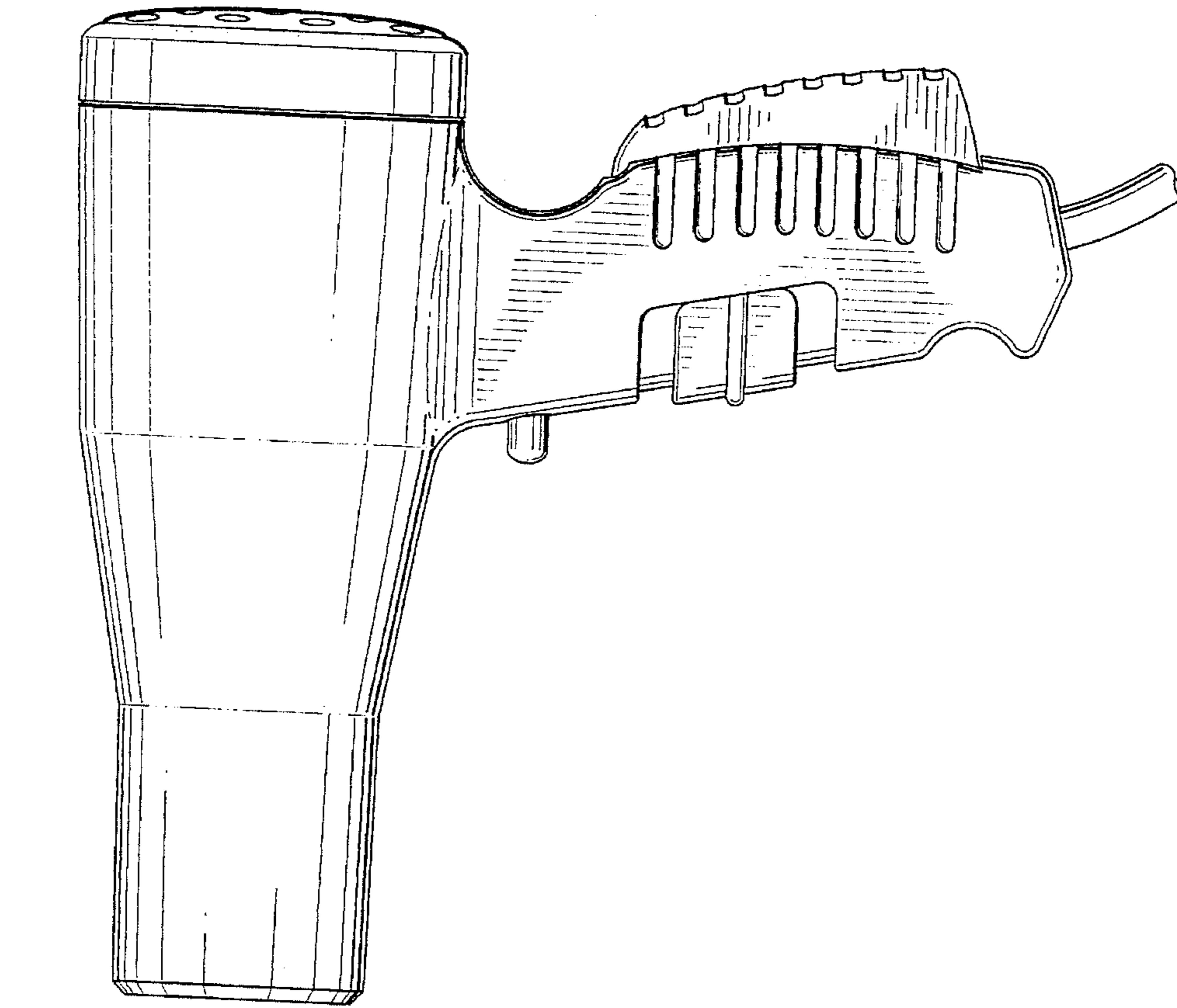


FIG. 5

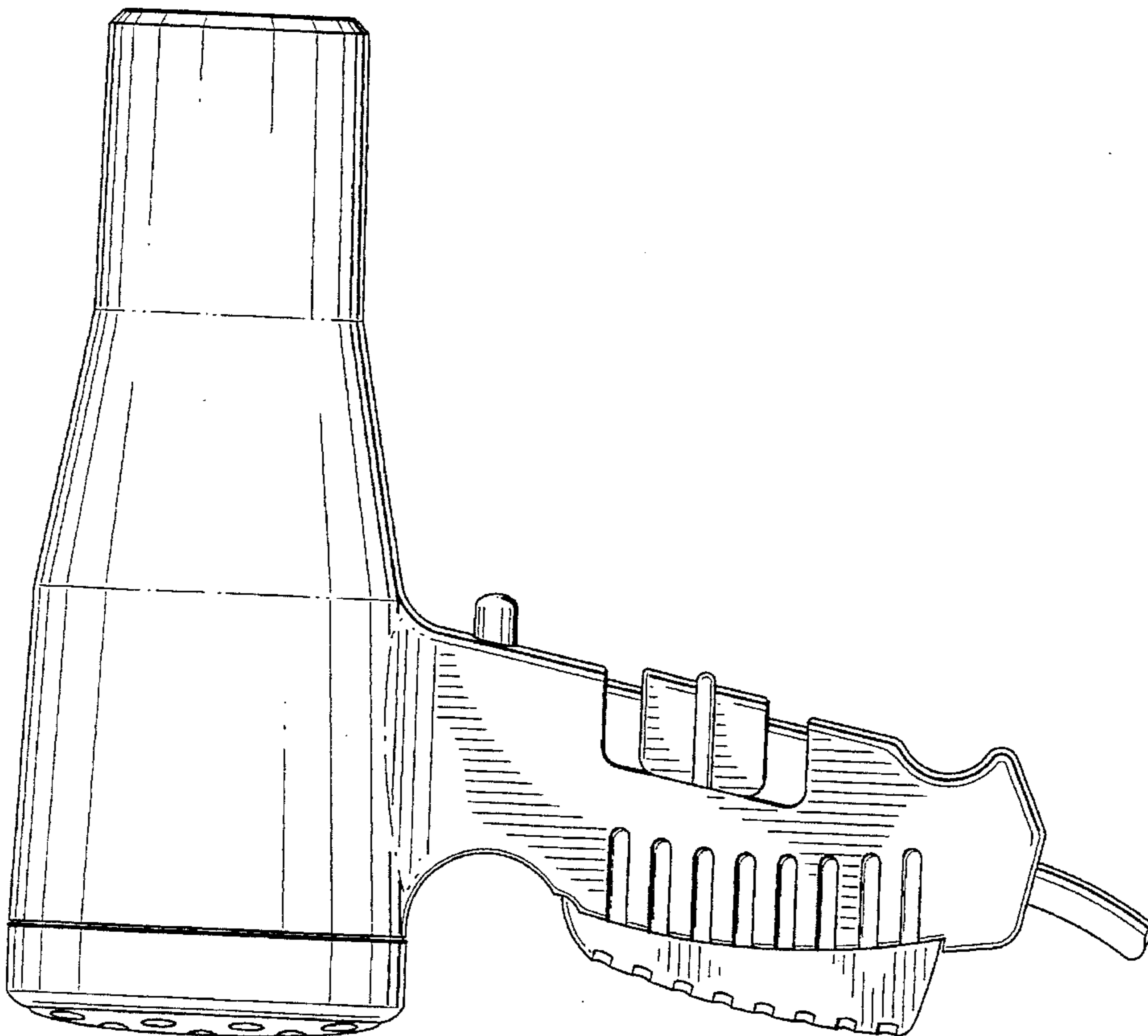


FIG. 4

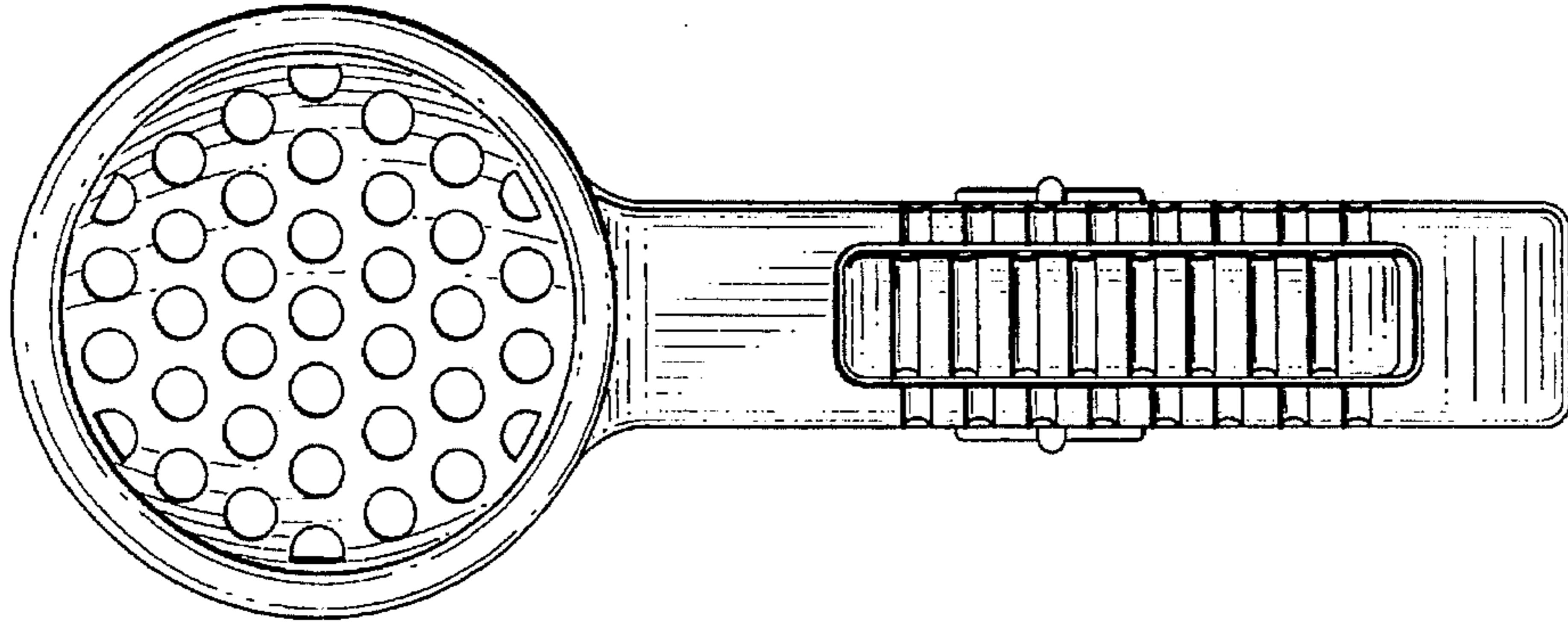


FIG. 7

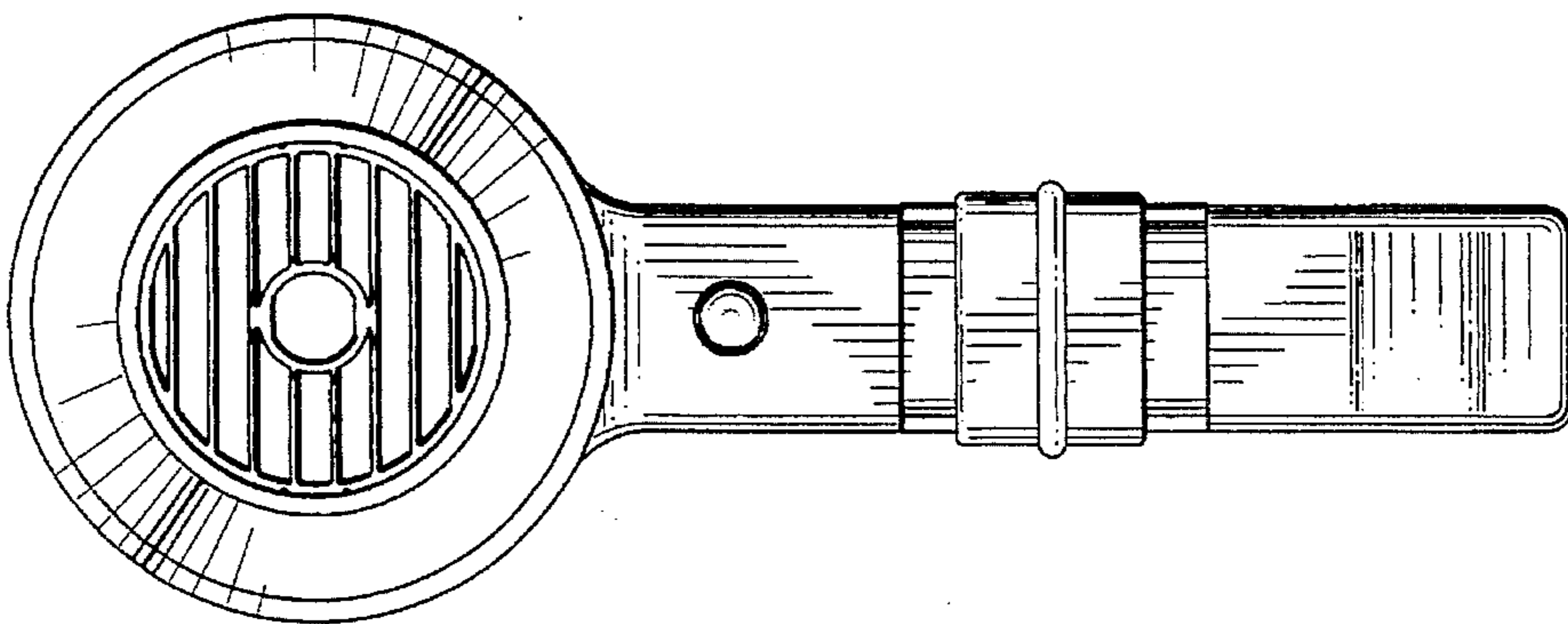


FIG. 6