



US00D367726S

United States Patent [19]

[11] **Patent Number: Des. 367,726**

Albrecht et al.

[45] **Date of Patent: **Mar. 5, 1996**

[54] **TABLE LAMP**

D. 349,583 8/1994 Watters D26/106

[75] Inventors: **Harold Albrecht**, Oakville; **Russell Watters**, Pickering, both of Canada

Primary Examiner—Kay H. Chin
Attorney, Agent, or Firm—Sim & McBurney

[73] Assignees: **Shandel Investments Limited**;
Gambol Entertainment, both of Ontario, Canada

[57] **CLAIM**

The ornamental design for a table lamp, as shown and described.

[**] Term: **14 Years**

DESCRIPTION

[21] Appl. No.: **36,719**

FIG. 1 is a perspective view of a table lamp showing our new design;

[22] Filed: **Mar. 27, 1995**

FIG. 2 is a top plan view thereof;

[30] **Foreign Application Priority Data**

Nov. 1, 1994 [CA] Canada 1994-2171

FIG. 3 is a front elevational view thereof;

[52] **U.S. Cl.** **D26/106**

FIG. 4 is a right side elevational view thereof;

[58] **Field of Search** D26/56, 93, 102-112;
362/410-414

FIG. 5 is a rear elevational view thereof;

FIG. 6 is a left side elevational view thereof;

FIG. 7 is a perspective view of a second embodiment of the table lamp;

FIG. 8 is a perspective view of a third embodiment of the table lamp; and,

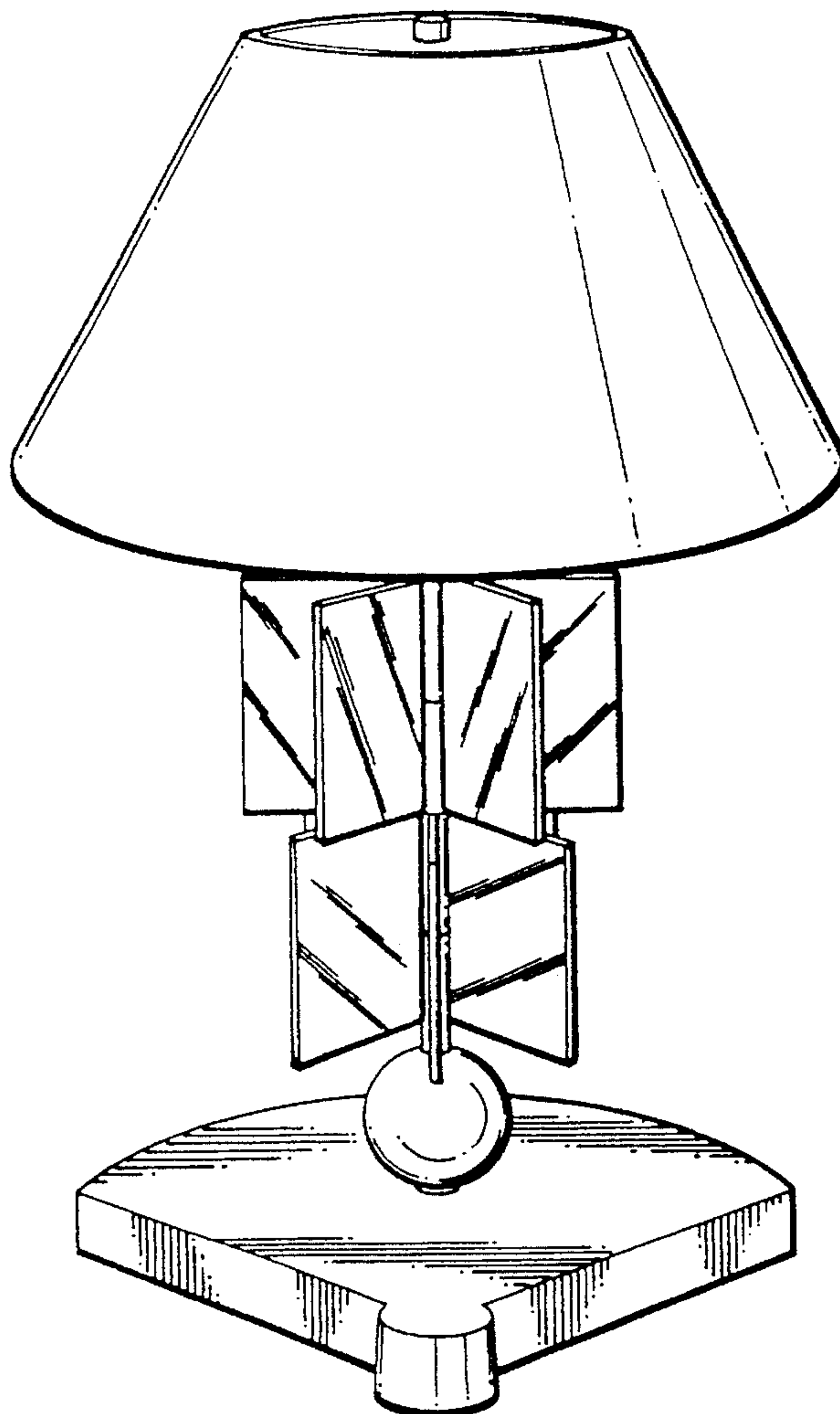
FIG. 9 is a perspective view of a fourth embodiment of the table lamp.

[56] **References Cited**

U.S. PATENT DOCUMENTS

D. 241,367 9/1976 Emmel D26/106

1 Claim, 6 Drawing Sheets



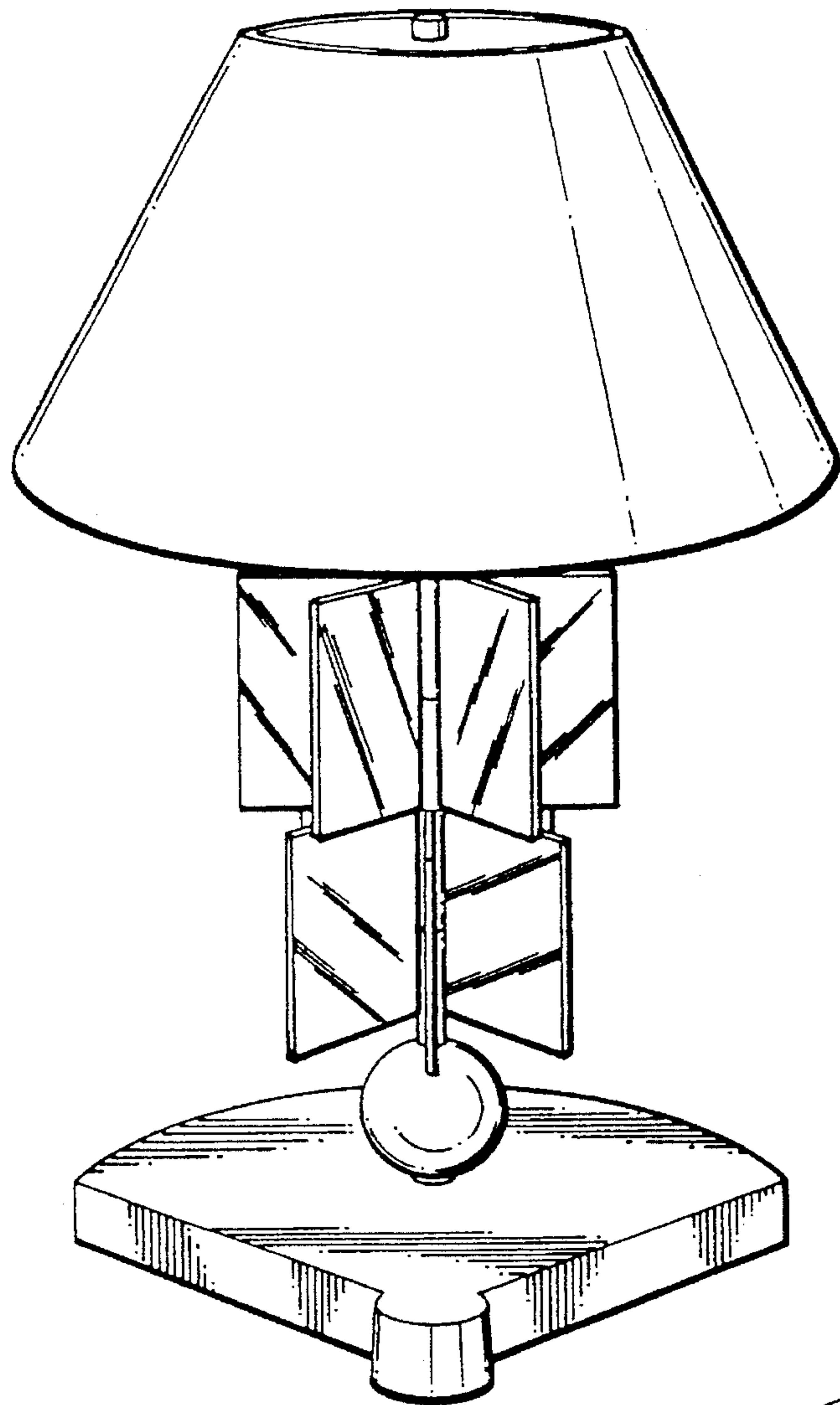


FIG. 1.

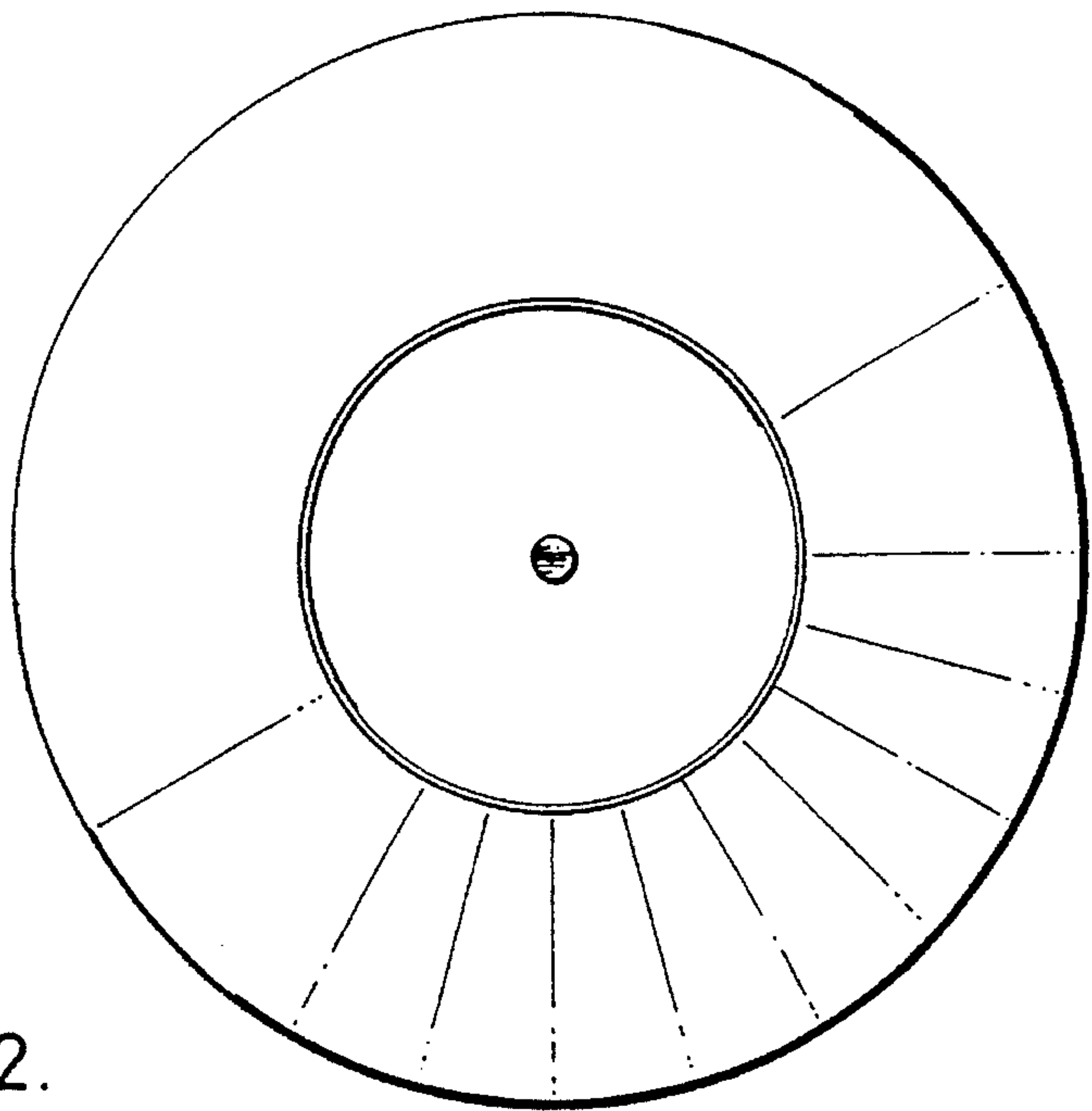


FIG. 2.

FIG. 4.

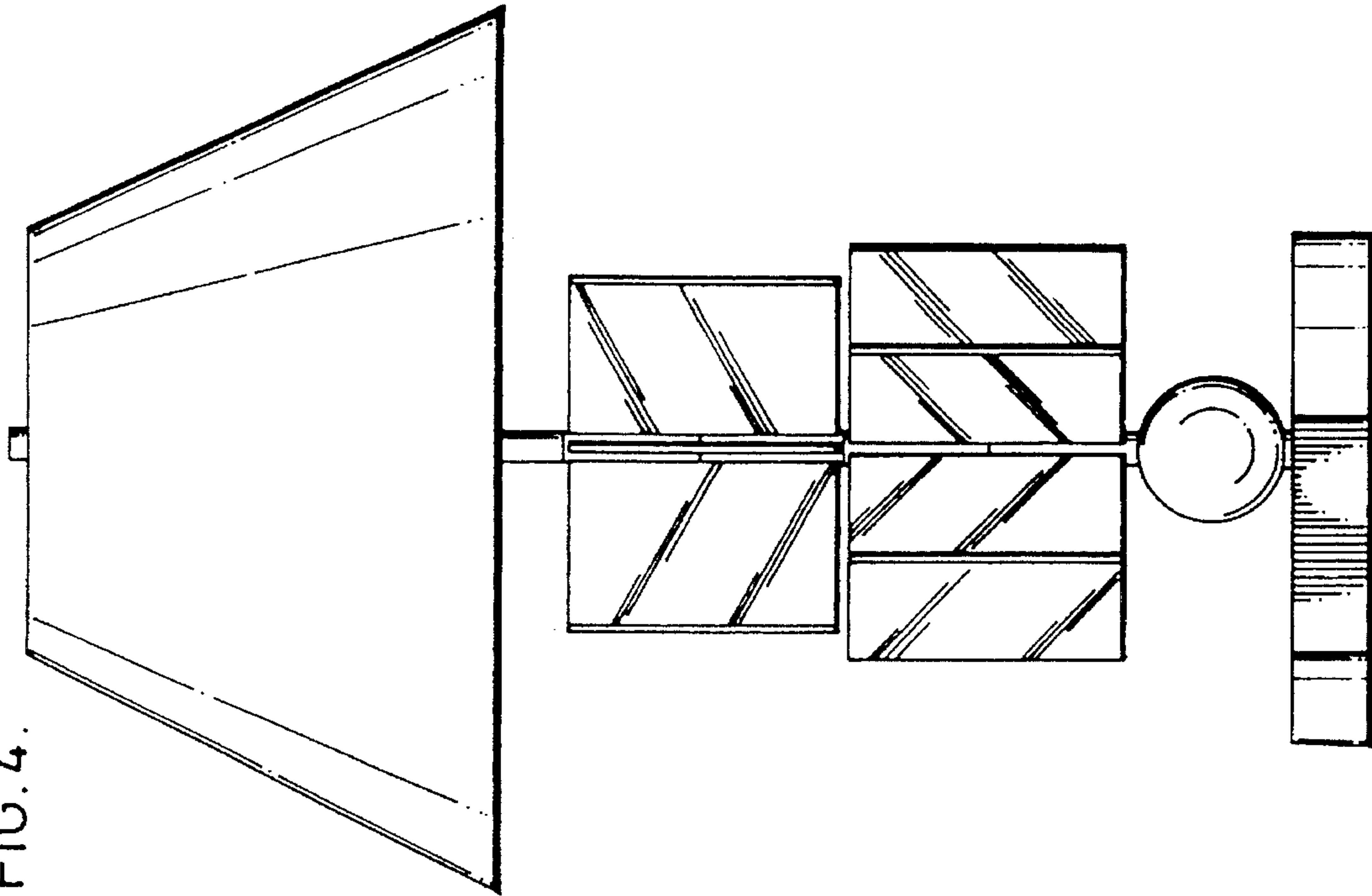


FIG. 3.

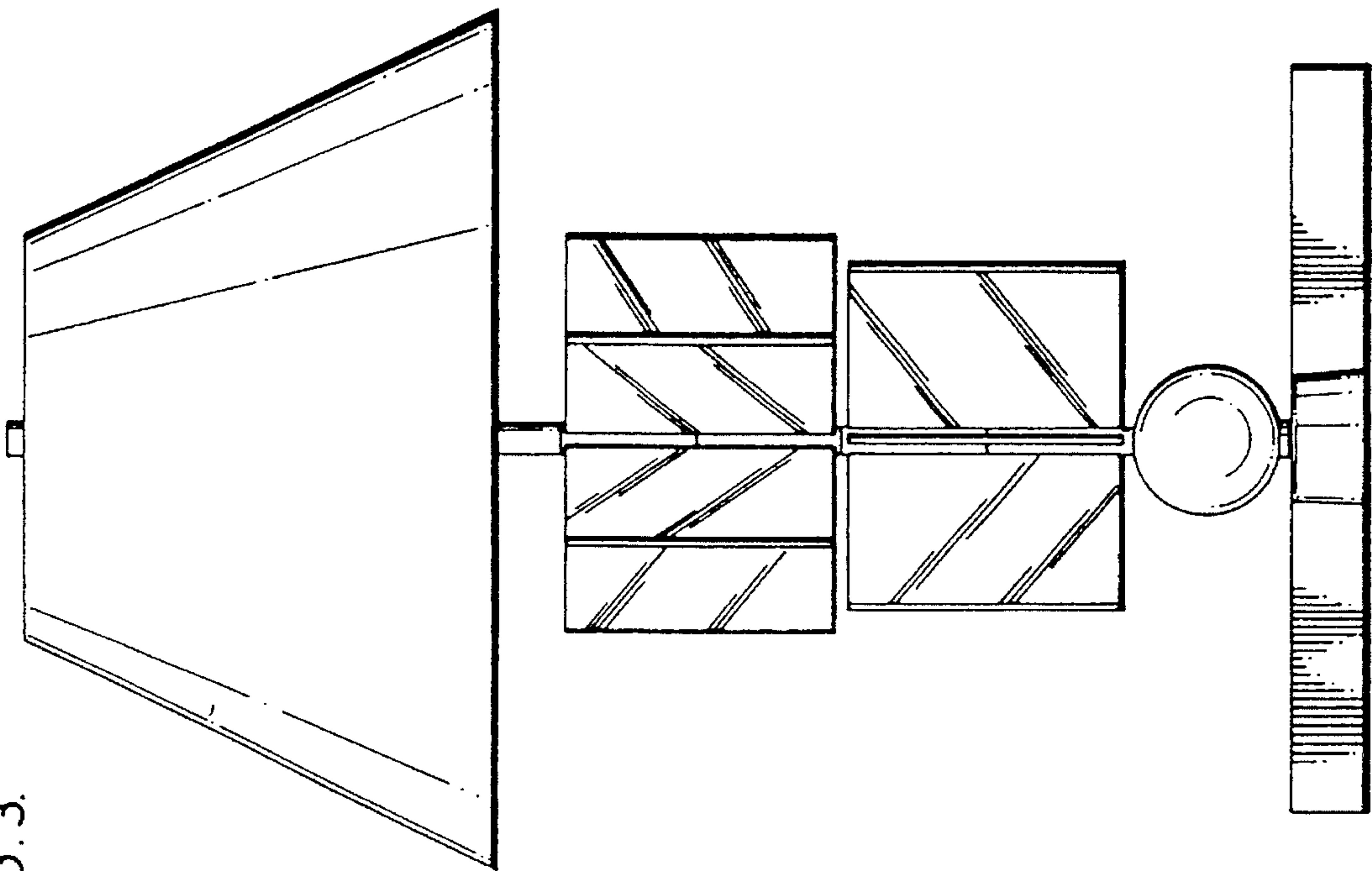


FIG. 6.

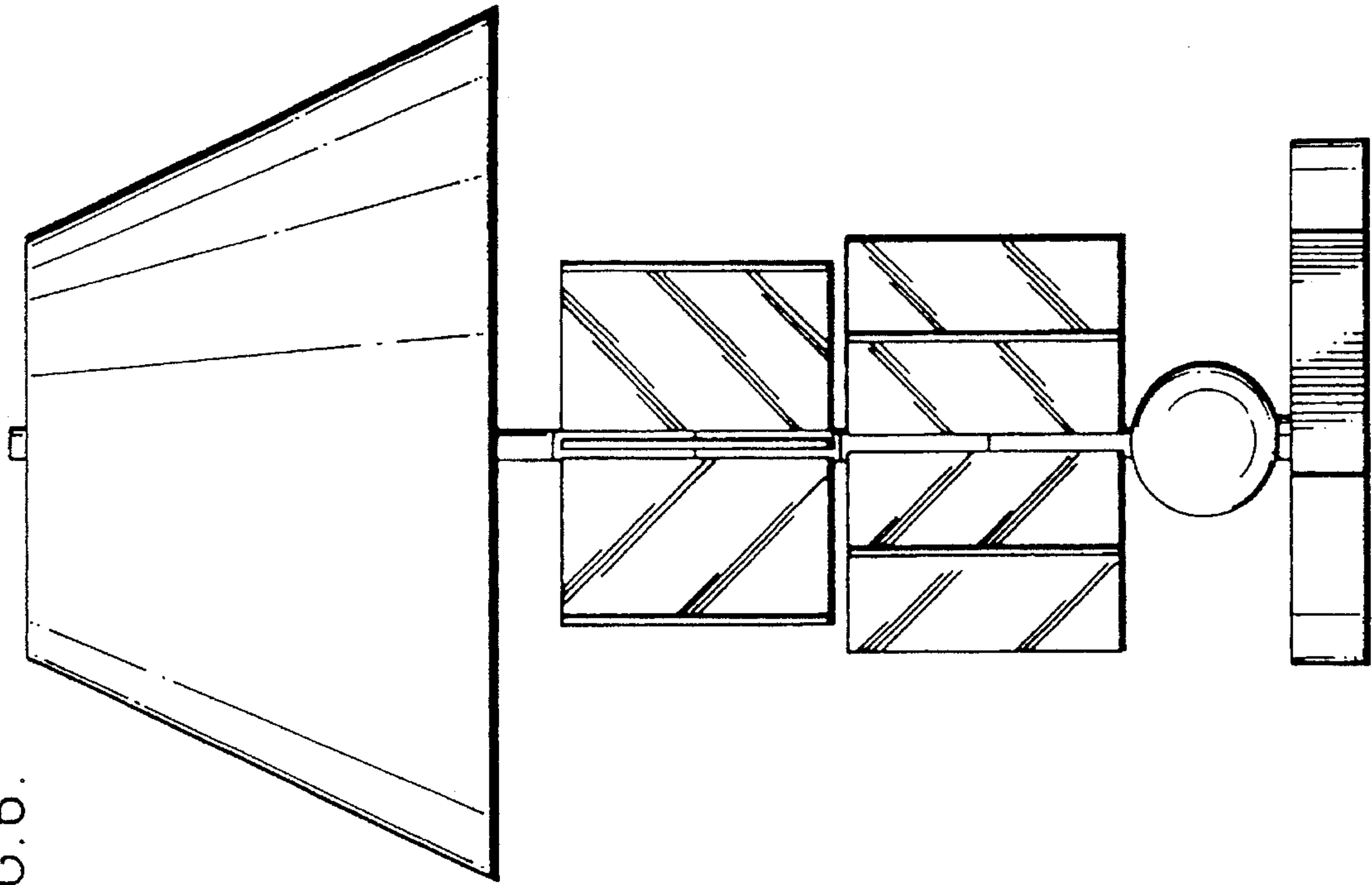
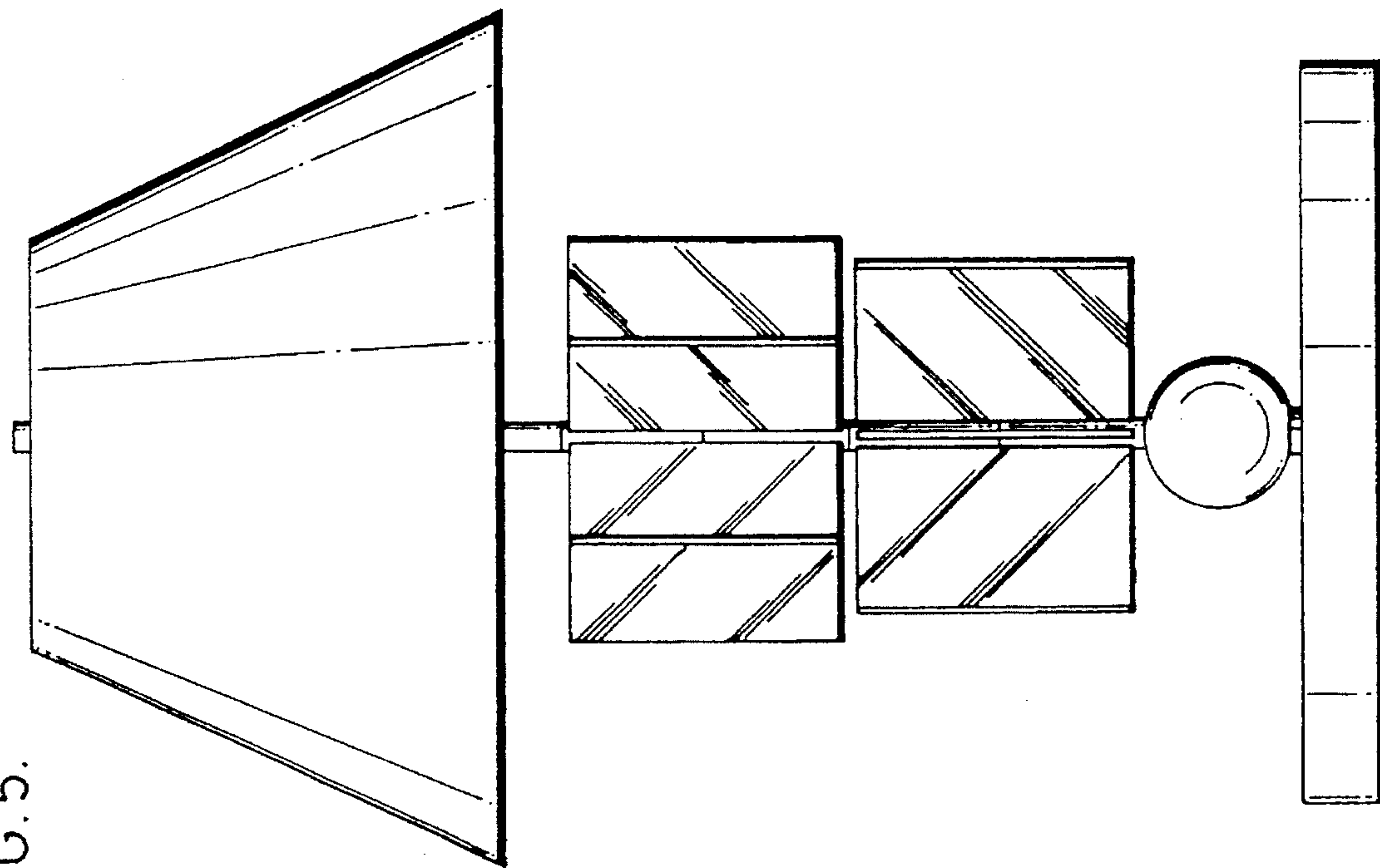


FIG. 5.



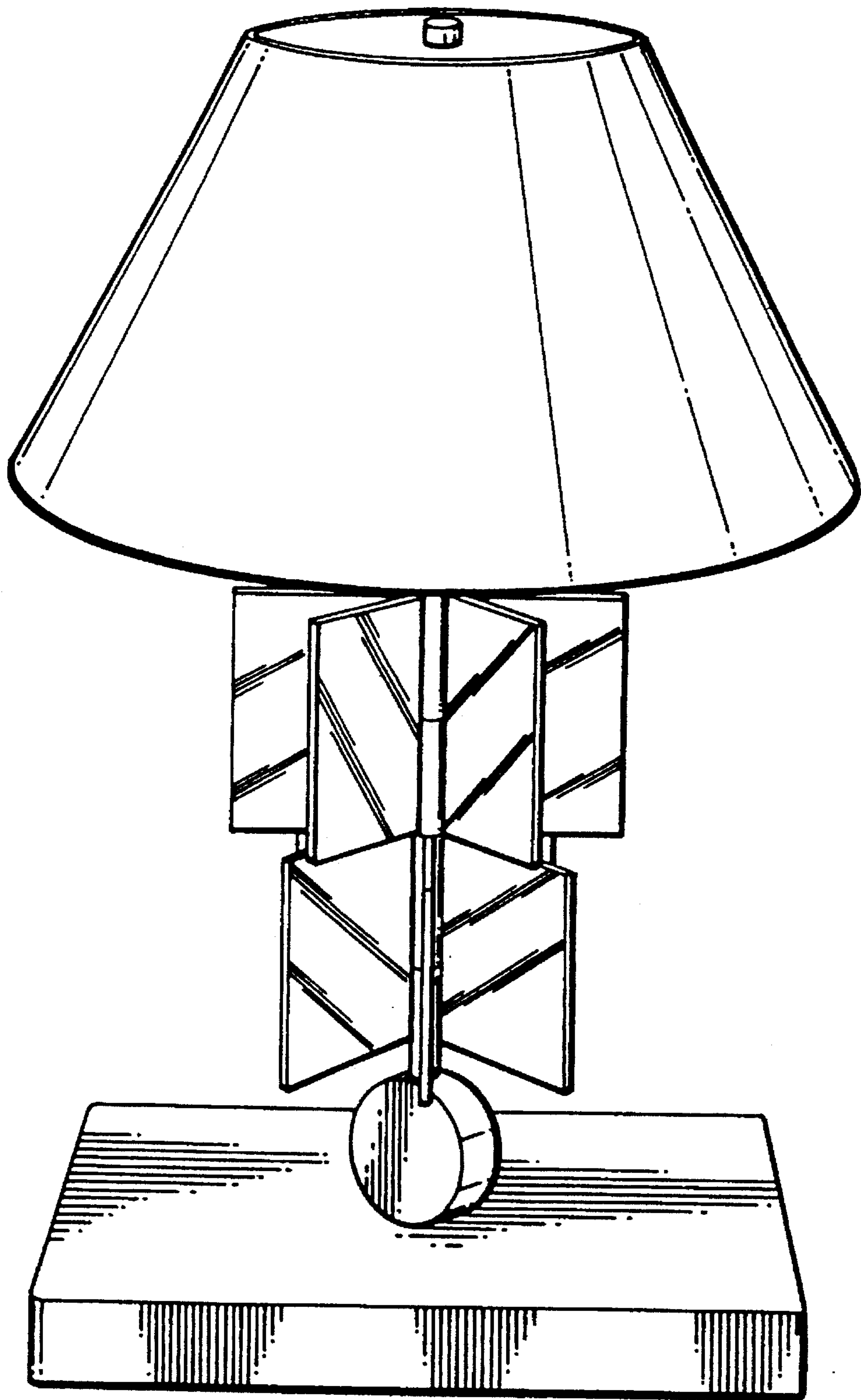


FIG. 7.

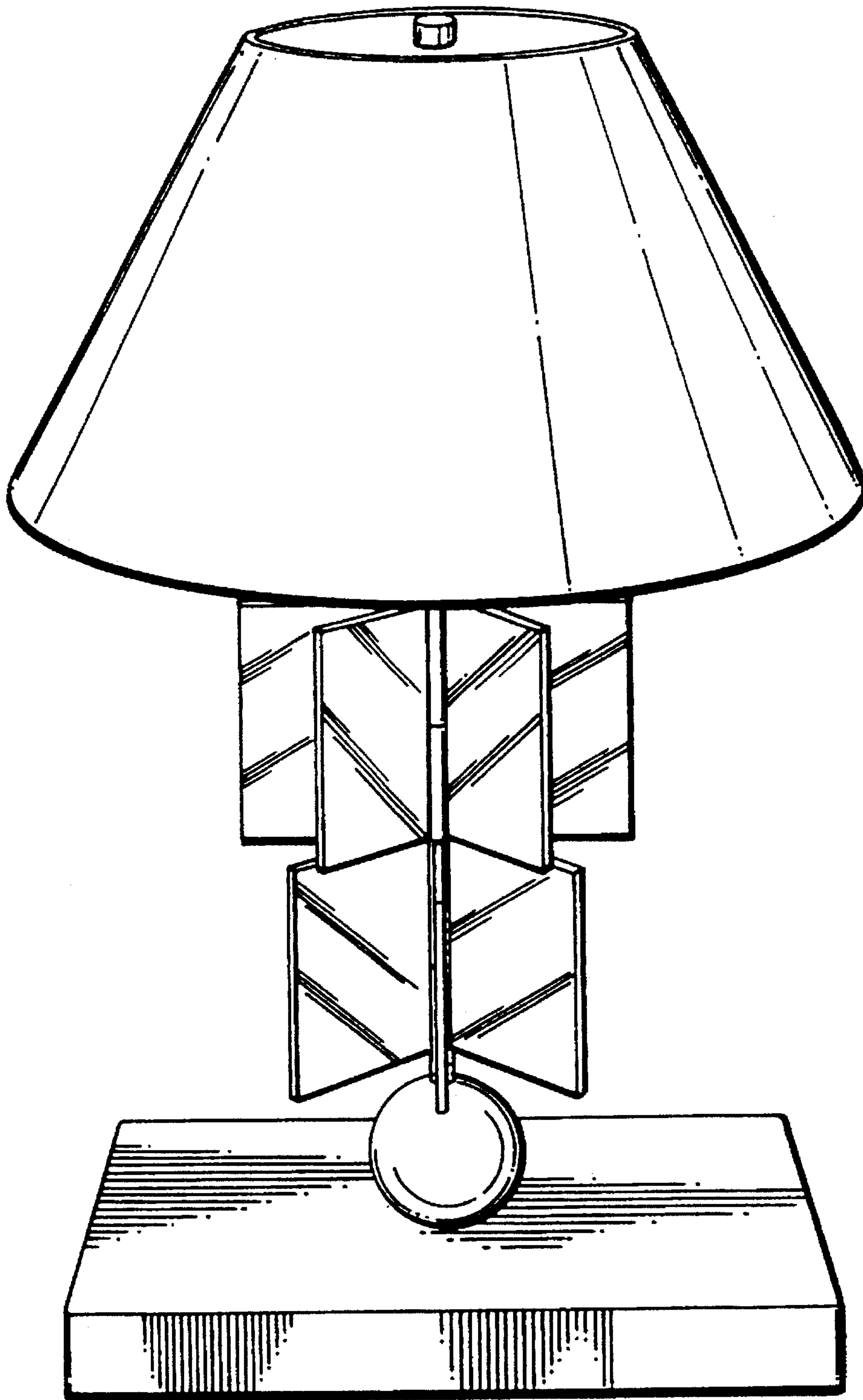


FIG. 8.

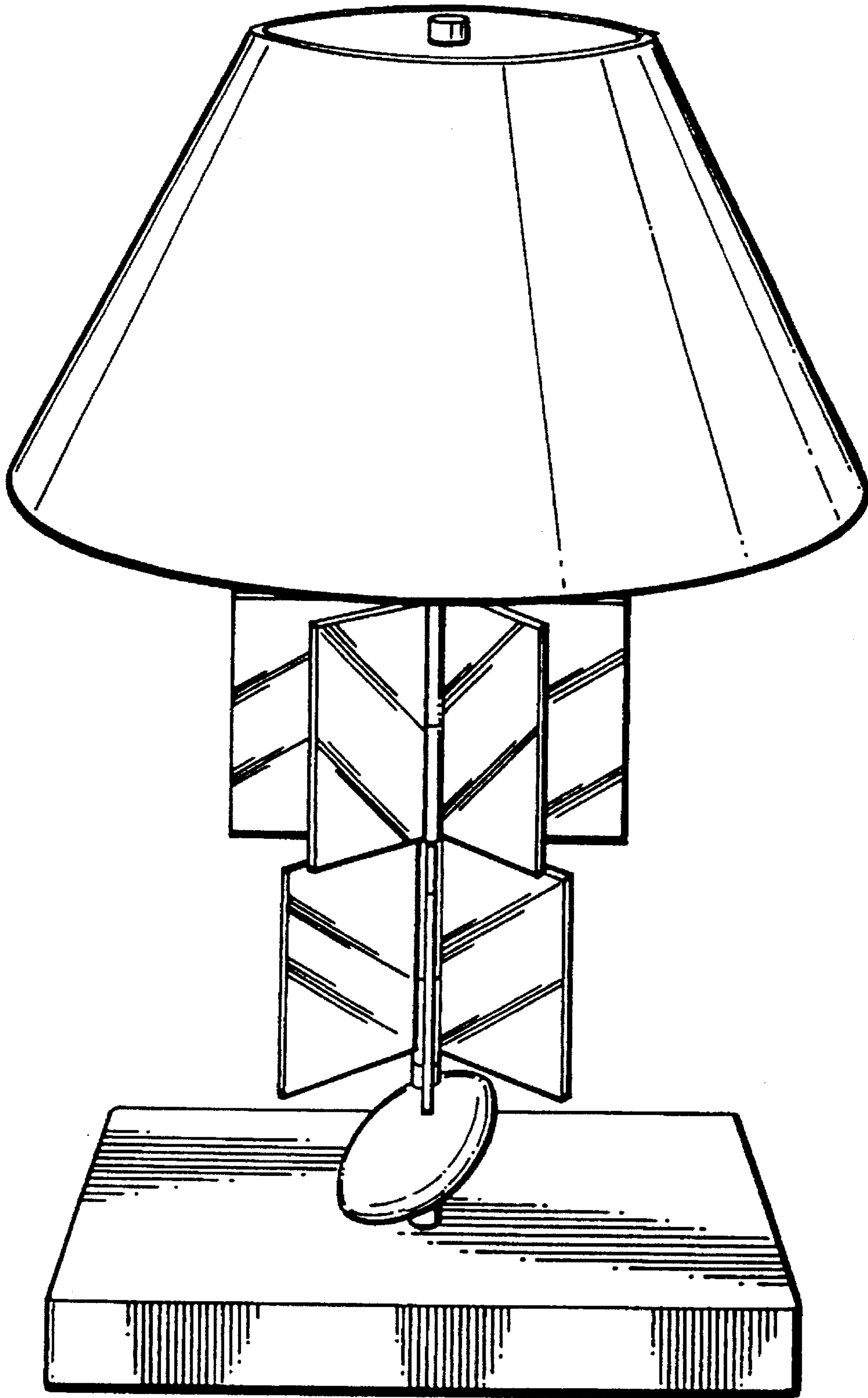


FIG. 9.