



US00D367725S

United States Patent [19]

[11] Patent Number: **Des. 367,725**

Segill et al.

[45] Date of Patent: ****Mar. 5, 1996**

[54] **SCONCE**

[75] Inventors: **Mark E. Segill**, Framingham; **Jeffrey H. Pocock**, Medfield, both of Mass.

[73] Assignee: **American Lighting Fixture Corp.**, Taunton, Mass.

[**] Term: **14 Years**

[21] Appl. No.: **36,129**

[22] Filed: **Mar. 13, 1995**

[52] U.S. Cl. **D26/87**

[58] Field of Search D26/72, 80-92, D26/142, 143, 145, 149, 128, 129, 130, 131, 134; 362/147, 432

[56] **References Cited**

U.S. PATENT DOCUMENTS

D. 318,743 7/1991 Meck et al. D26/142

OTHER PUBLICATIONS

Kichler Lighting Catalog, ©1989, p. 81, Wall Lamp #K-5262.

Primary Examiner—Susan J. Lucas
Attorney, Agent, or Firm—John L. Welch

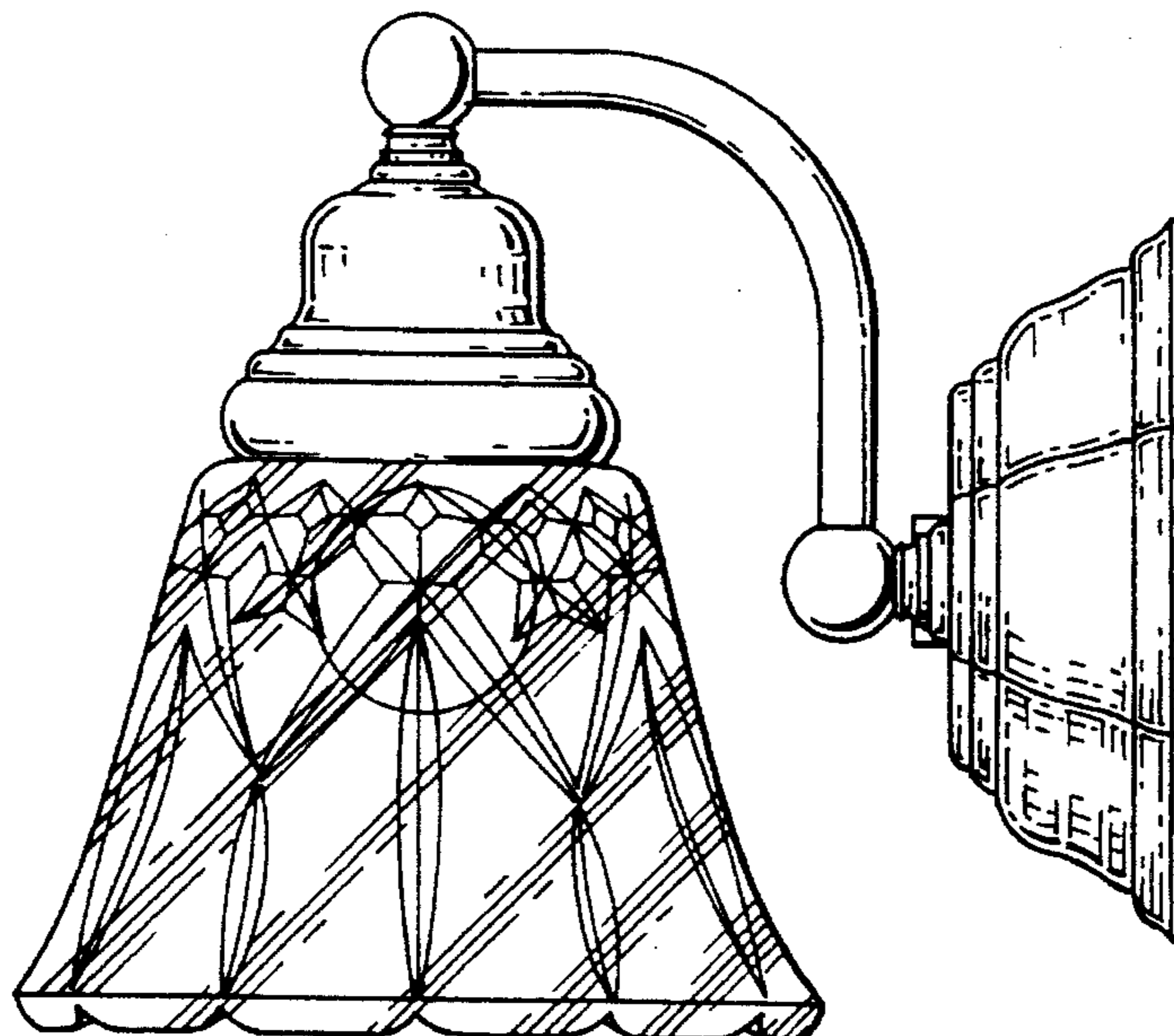
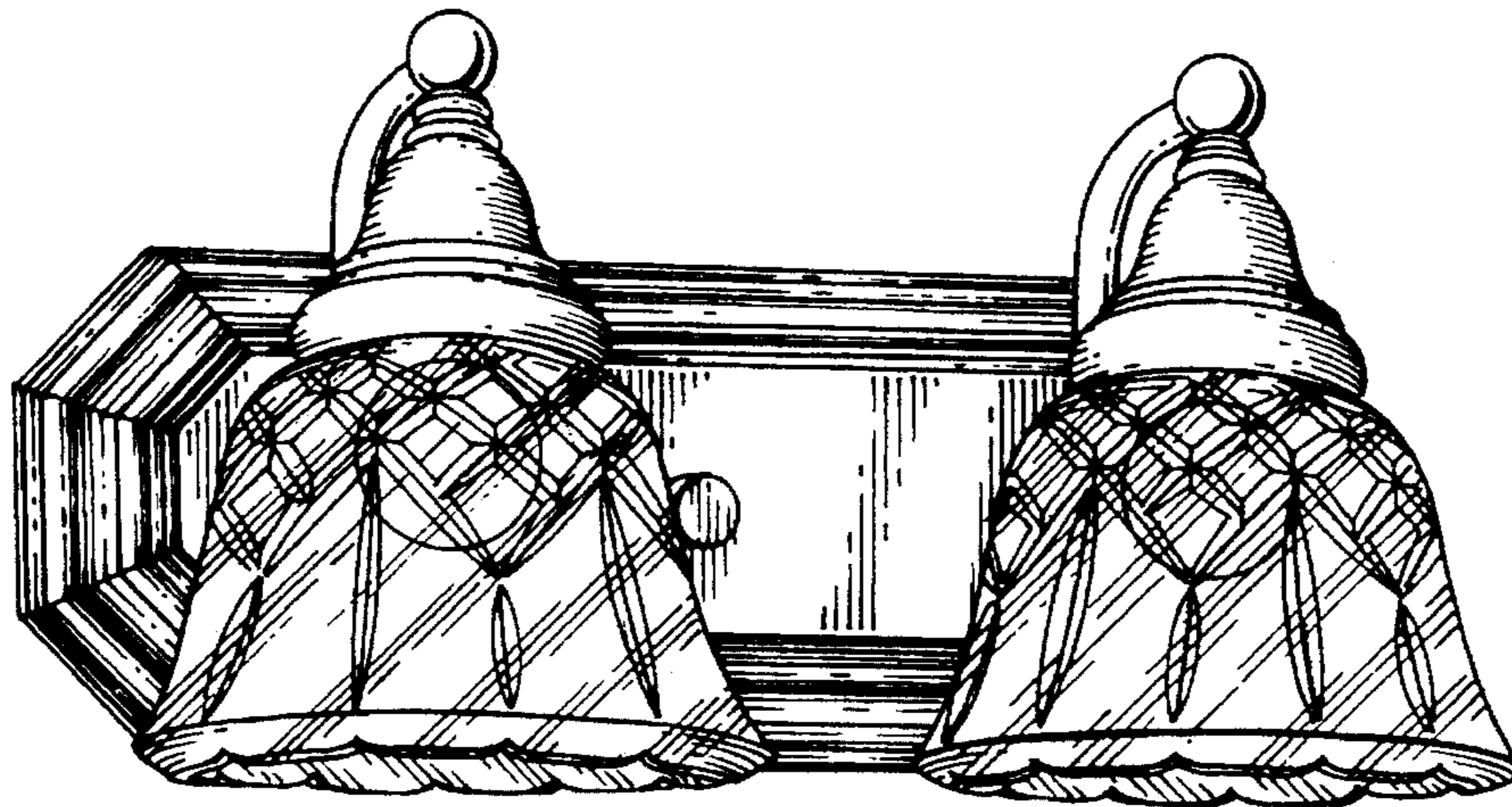
[57] **CLAIM**

The ornamental design for a sconce, as shown and described.

DESCRIPTION

FIG. 1 is a perspective view of the sconce according to our new design;
FIG. 2 is a front elevational view of the sconce, the rear of the sconce being non-ornamental;
FIG. 3 is a top plan view of the sconce;
FIG. 4 is a bottom plan view thereof; and,
FIG. 5 is a right side elevational view thereof, the left side view being a mirror image thereof.

1 Claim, 4 Drawing Sheets



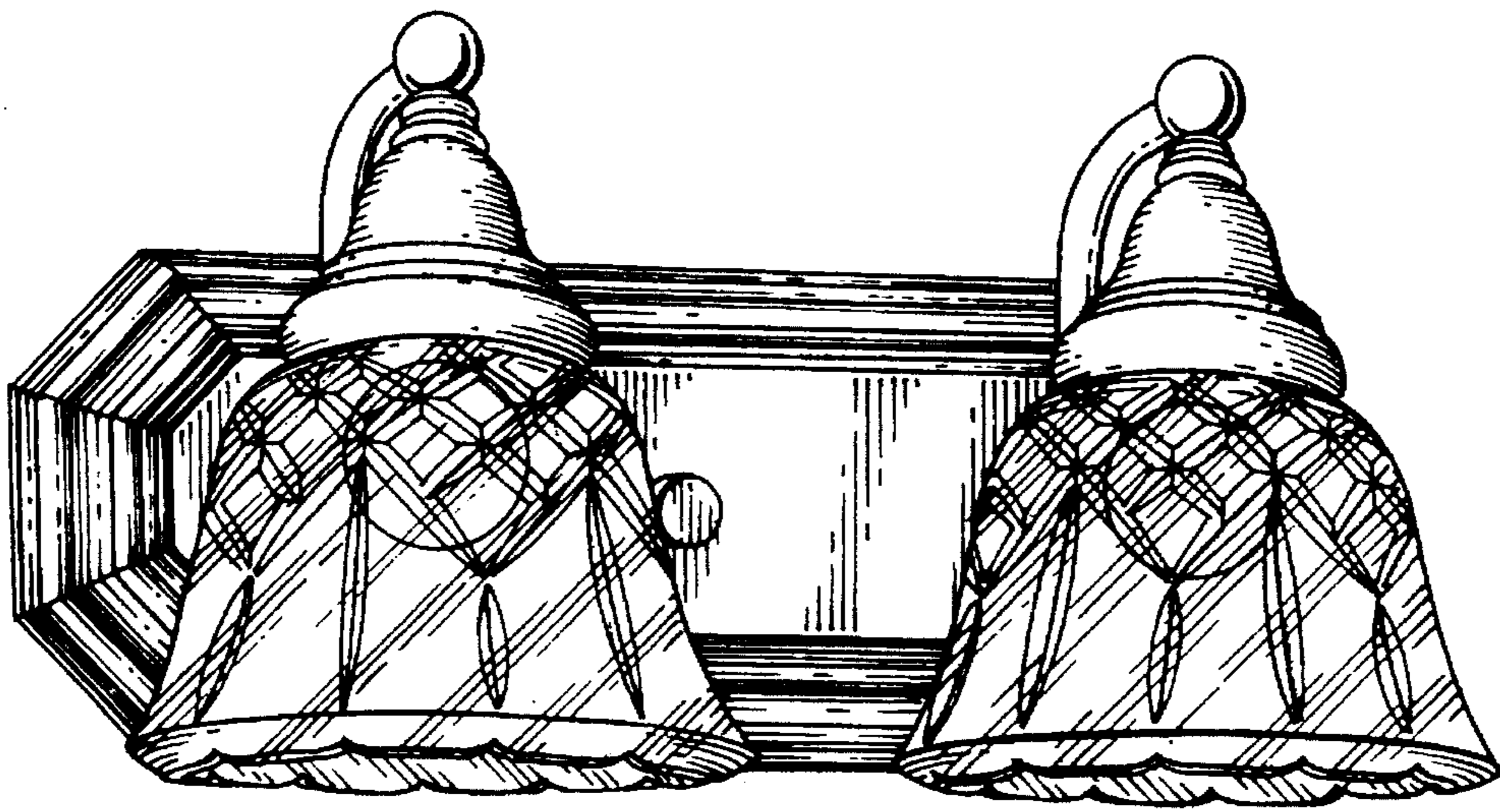


FIG. 1

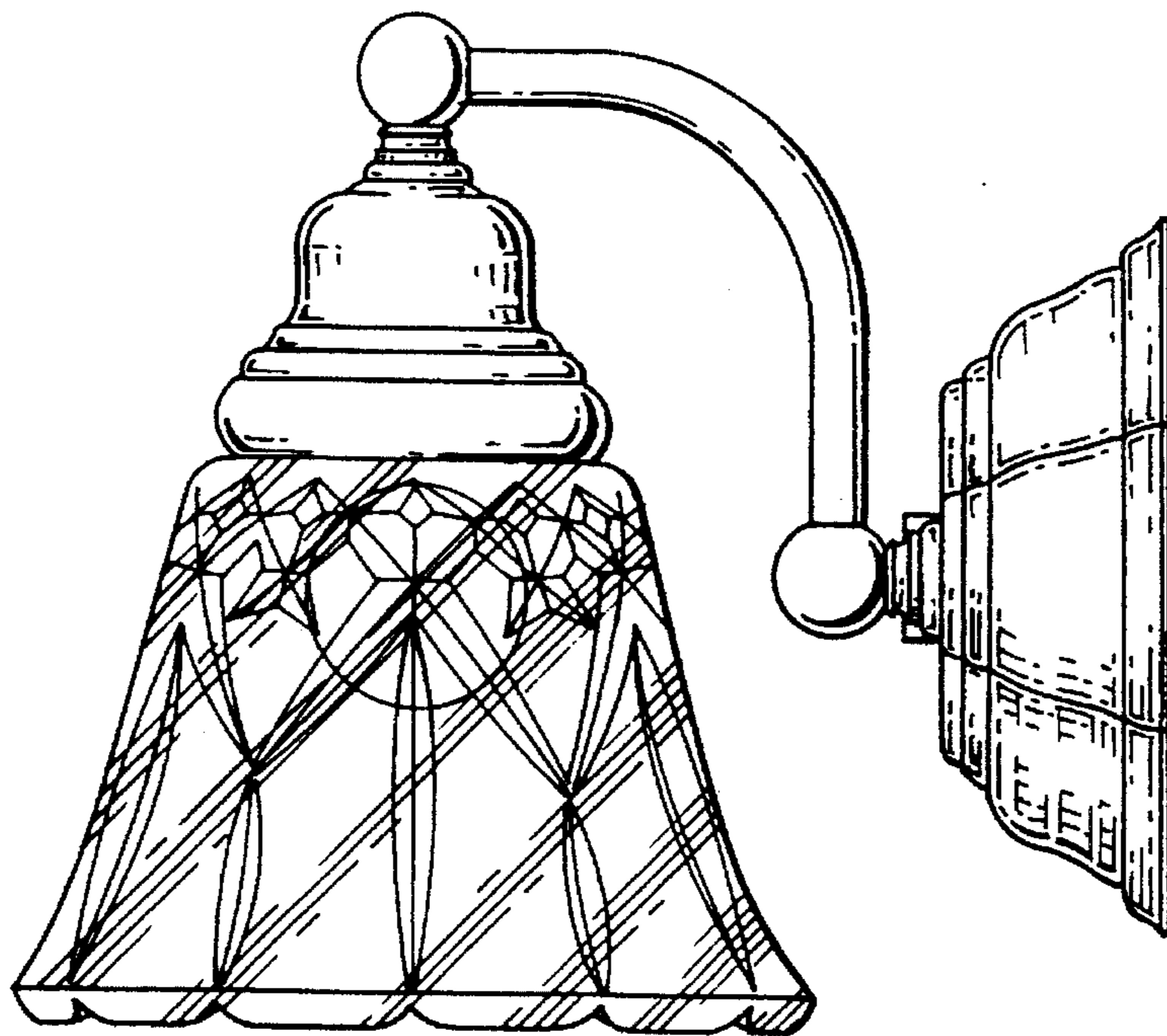


FIG. 5

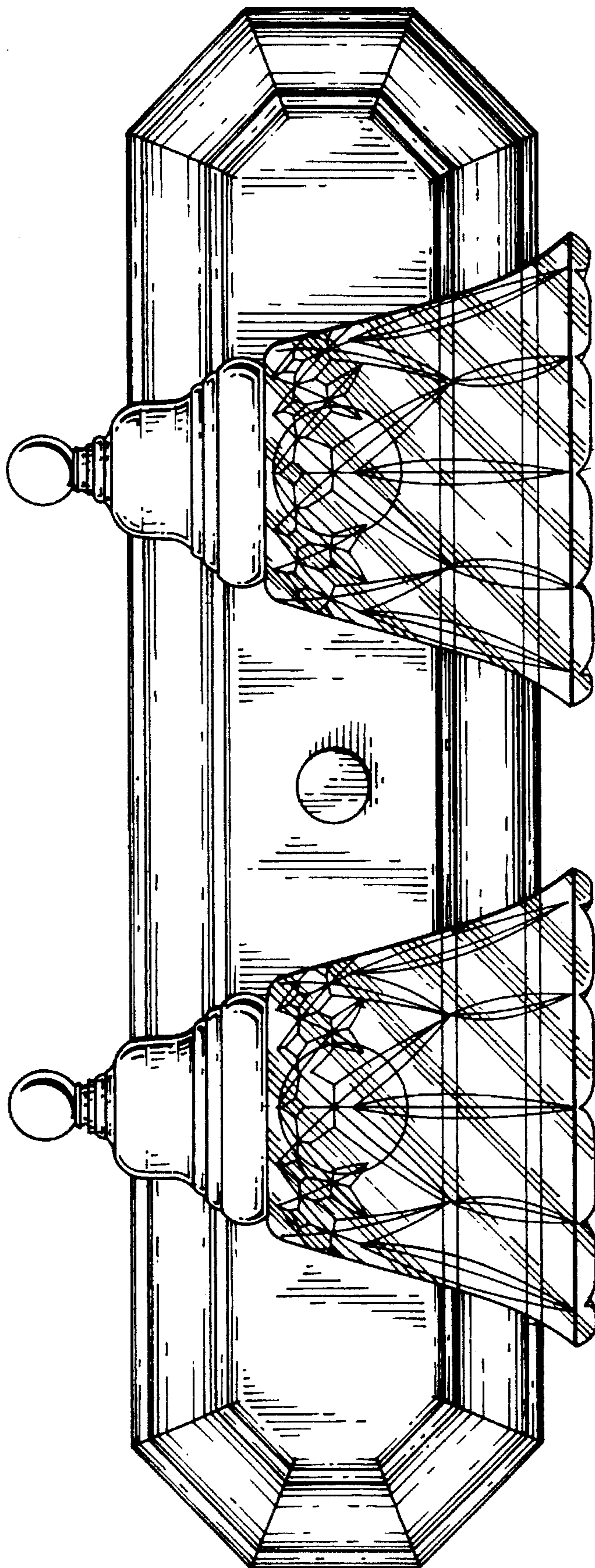


FIG. 2

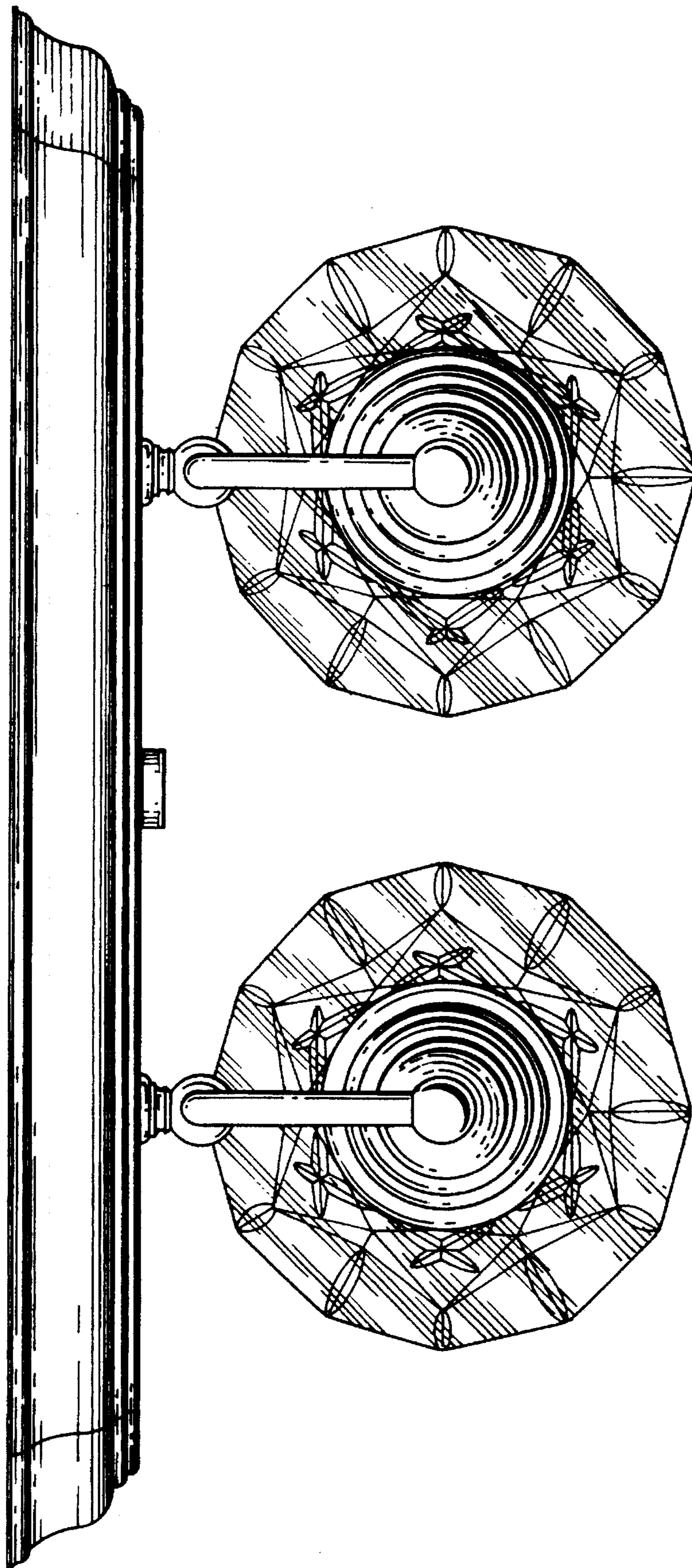


FIG. 3

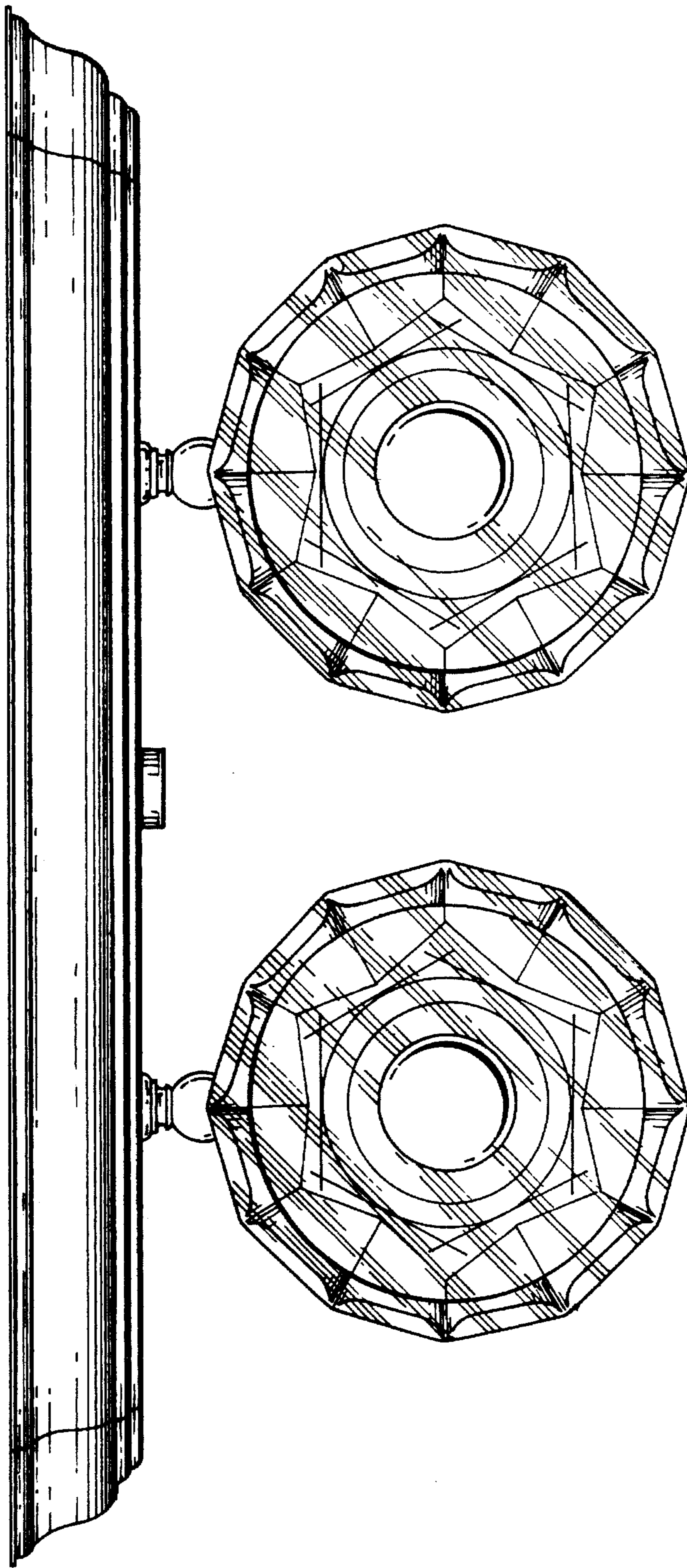


FIG. 4