



US00D367724S

United States Patent [19]
Porter

[11] **Patent Number:** **Des. 367,724**

[45] **Date of Patent:** ****Mar. 5, 1996**

[54] **WALL LANTERN**

[75] Inventor: **David H. Porter**, Chagrin Falls, Ohio

[73] Assignee: **The L.D. Kichler Co.**, Cleveland, Ohio

[**] Term: **14 Years**

[21] Appl. No.: **33,084**

[22] Filed: **Jan. 5, 1995**

[52] U.S. Cl. **D26/87**

[58] Field of Search D26/72, 80-92,
D26/67-71; 362/147, 404-408, 432, 367

[56] **References Cited**

U.S. PATENT DOCUMENTS

D. 73,618	10/1927	Miller	D26/87
D. 77,608	1/1929	Lindsay	D26/87
1,662,136	3/1928	Stevens	D26/85 X

OTHER PUBLICATIONS

American Lantern Catalog, ©1975, p. 22, Wall Lantern #1450.

Sentry Electric Corp. Lighting Catalog, ©1984, p. 2, SCP Exterior Luminaire.

Primary Examiner—Susan J. Lucas
Attorney, Agent, or Firm—Watts, Hoffmann, Fisher & Heinke

[57] **CLAIM**

The ornamental design for a wall lantern, as shown and described.

DESCRIPTION

FIG. 1 is a front perspective view of a wall lantern showing my new design;

FIG. 2 is a left side elevational view of the wall lantern, the right side elevational view being a mirror image;

FIG. 3 is a front elevational view of the wall lantern;

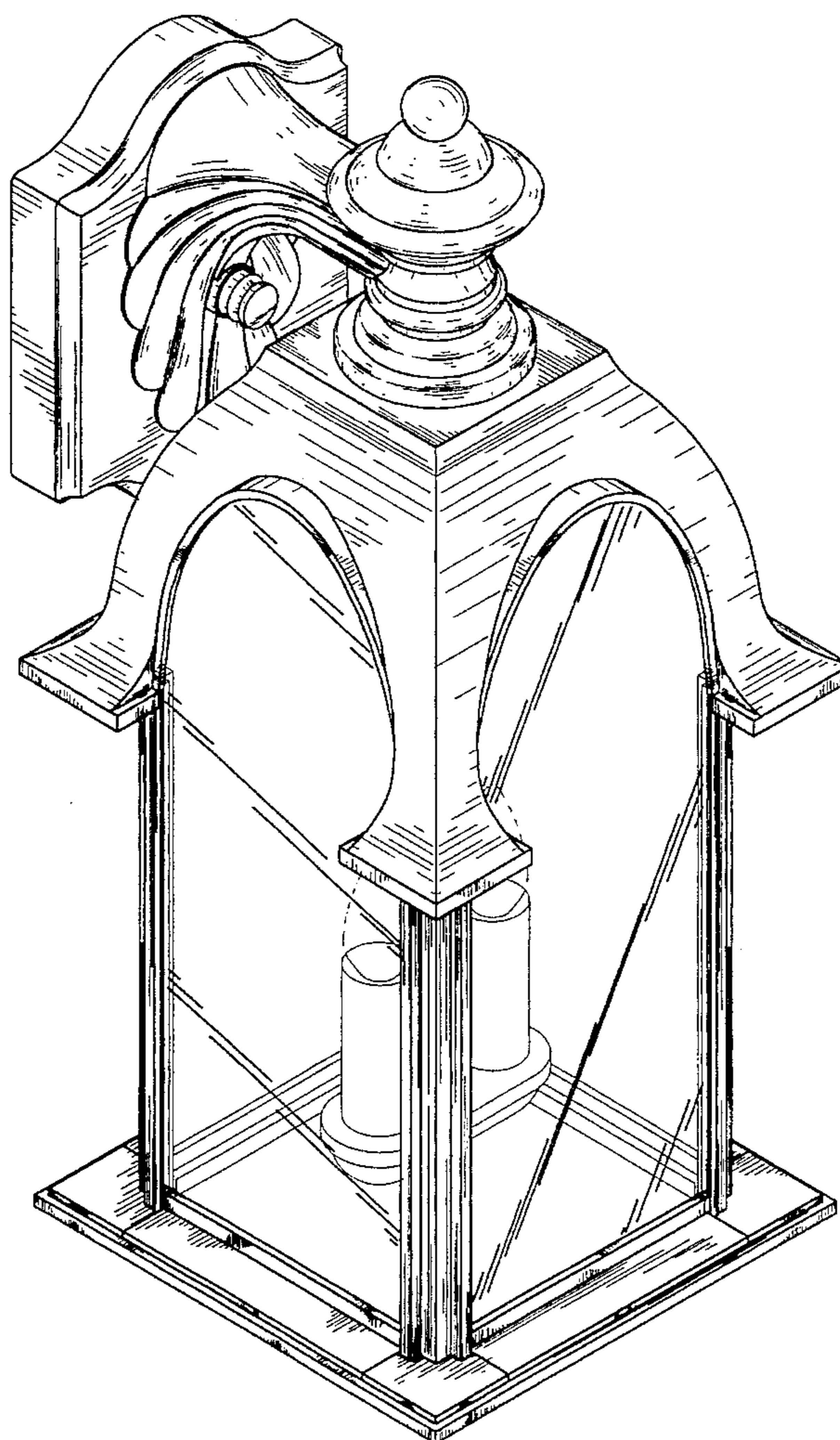
FIG. 4 is a rear elevation view of the wall lantern;

FIG. 5 is a top plan view of the wall lantern; and,

FIG. 6 is a bottom plan view of the wall lantern.

The broken lines are shown for illustrative purposes and form no part of the claimed design.

1 Claim, 5 Drawing Sheets



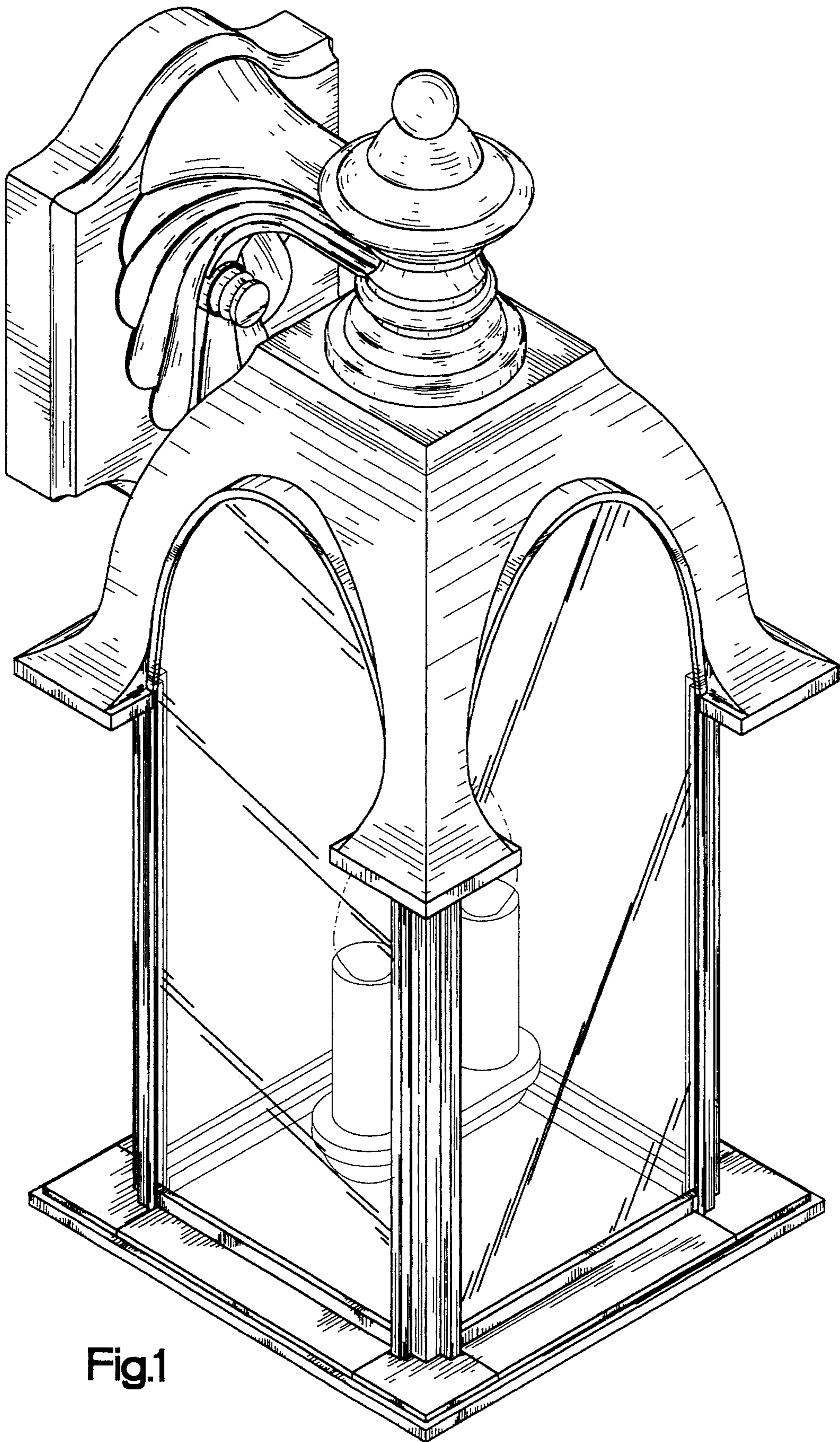


Fig.1

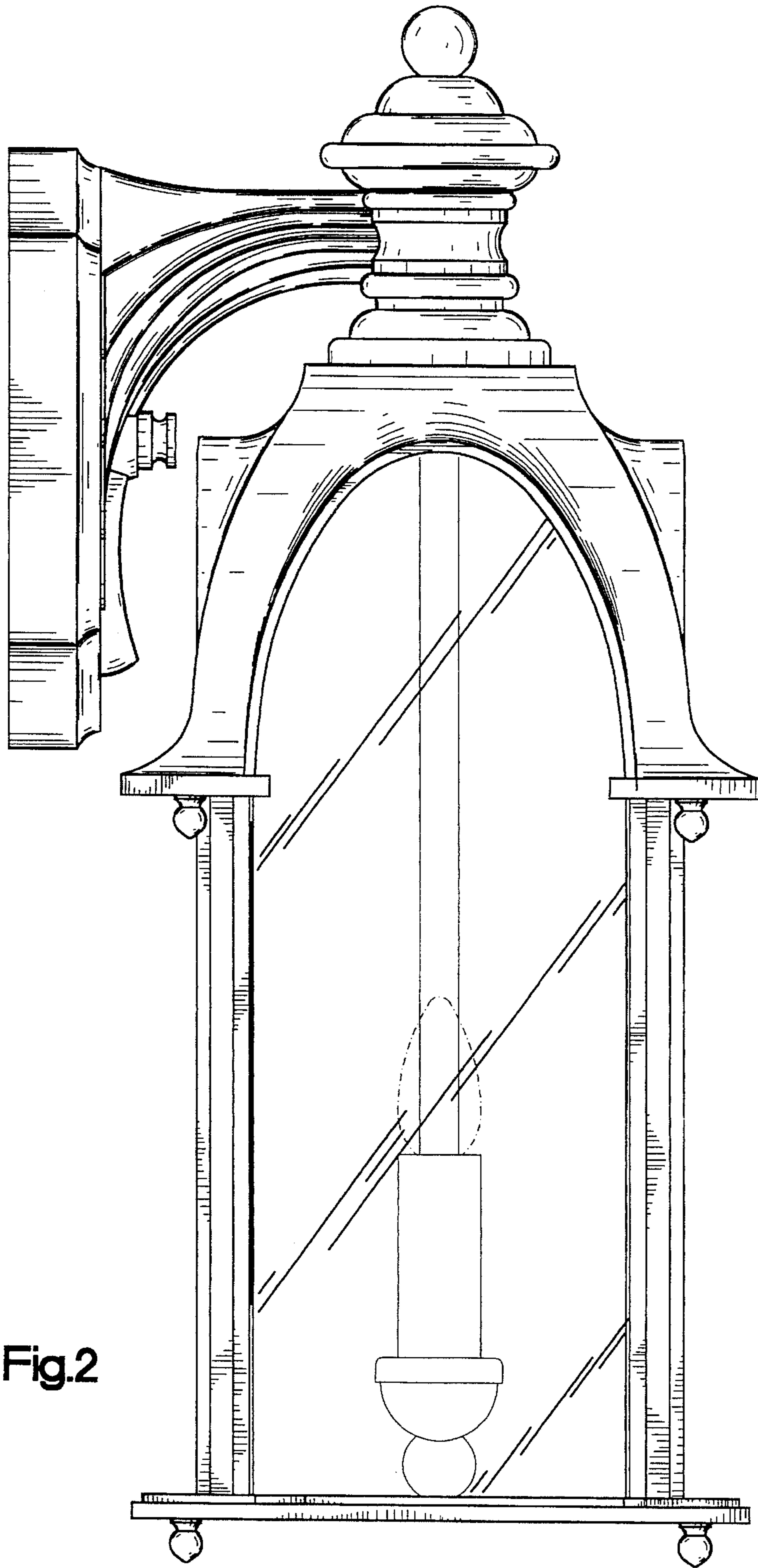


Fig. 2

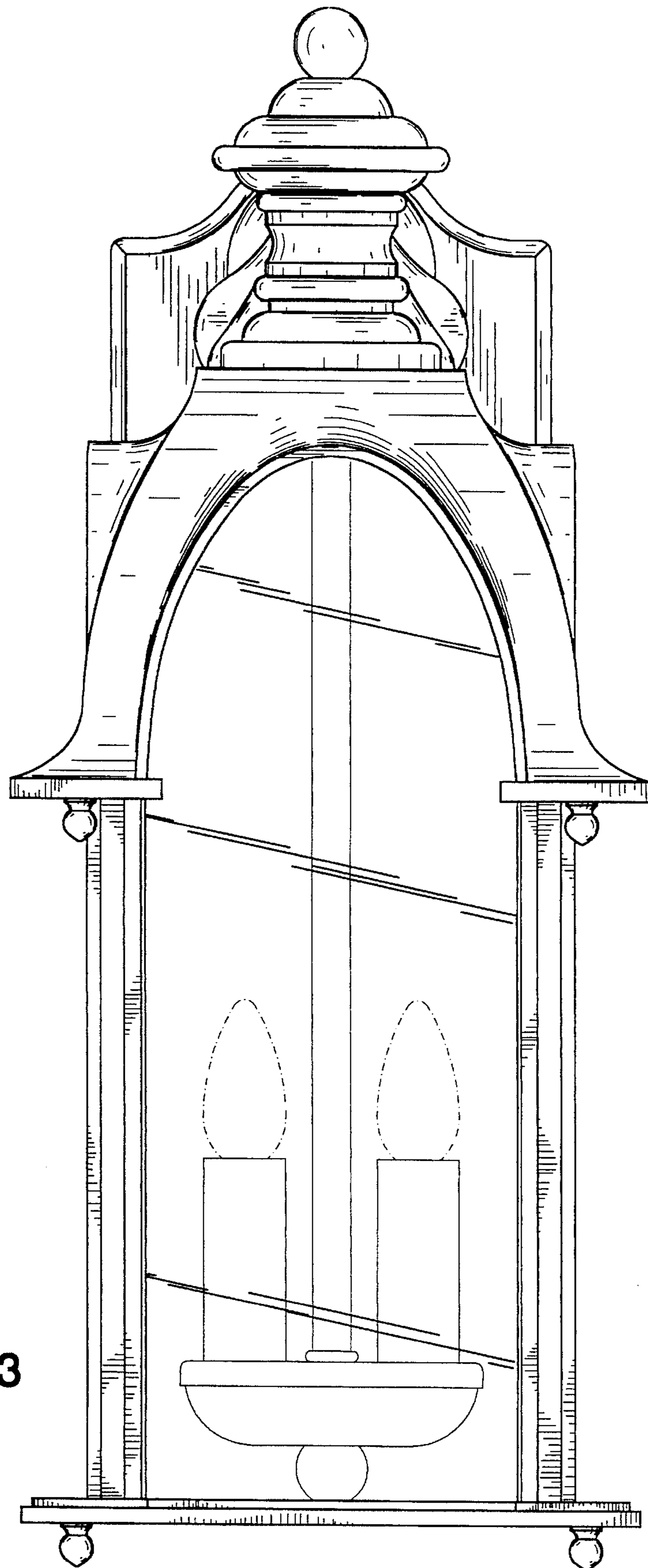


Fig.3

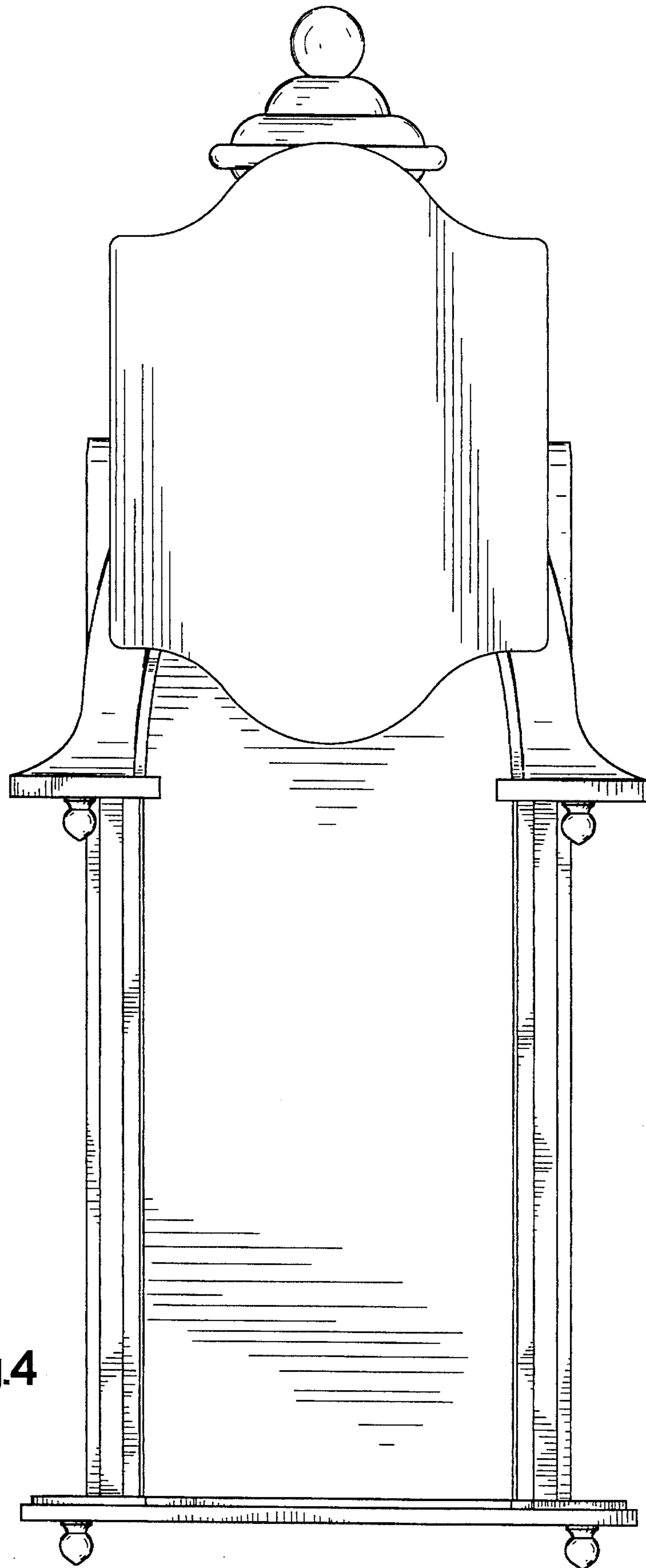


Fig.4

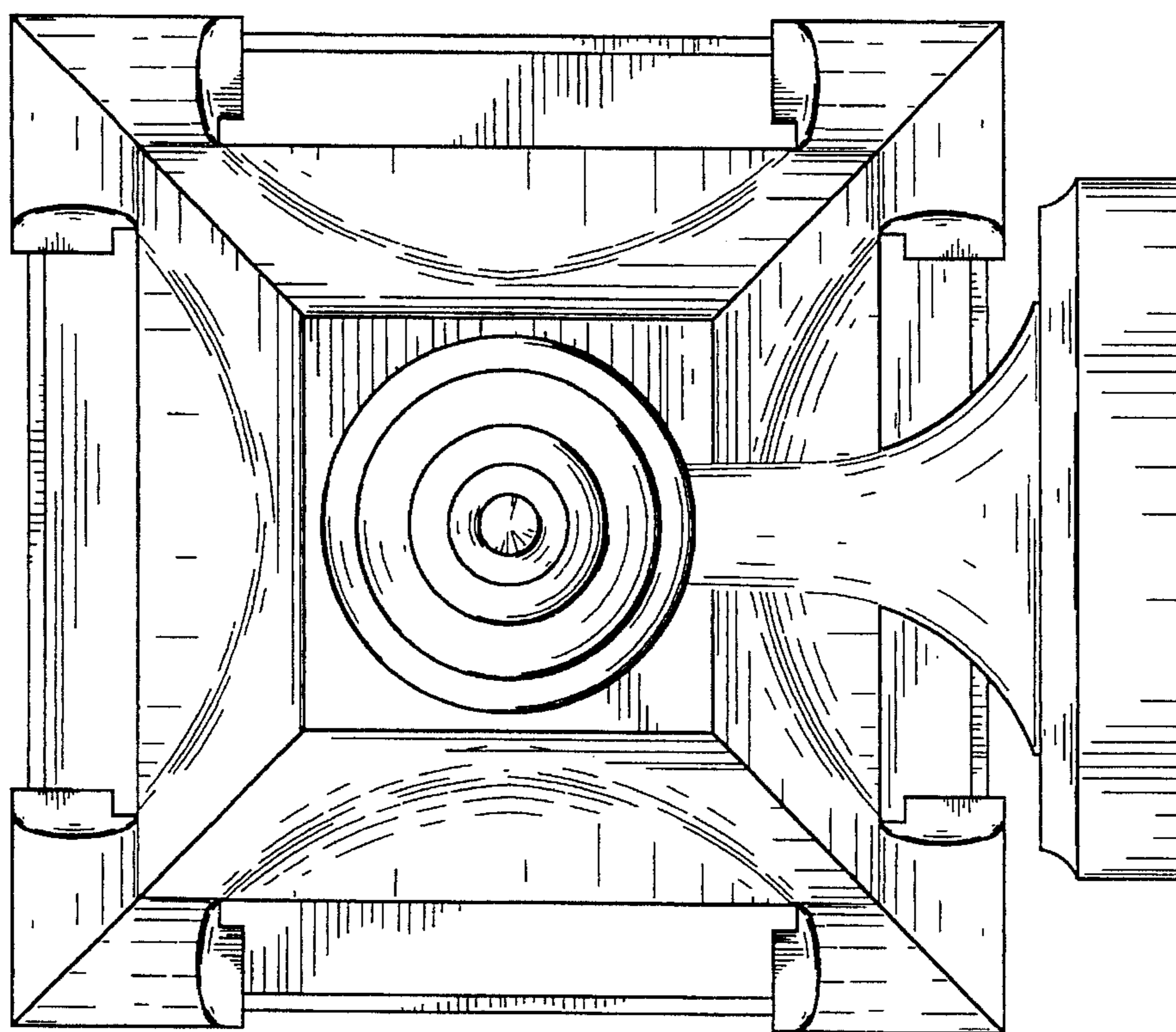


Fig.5

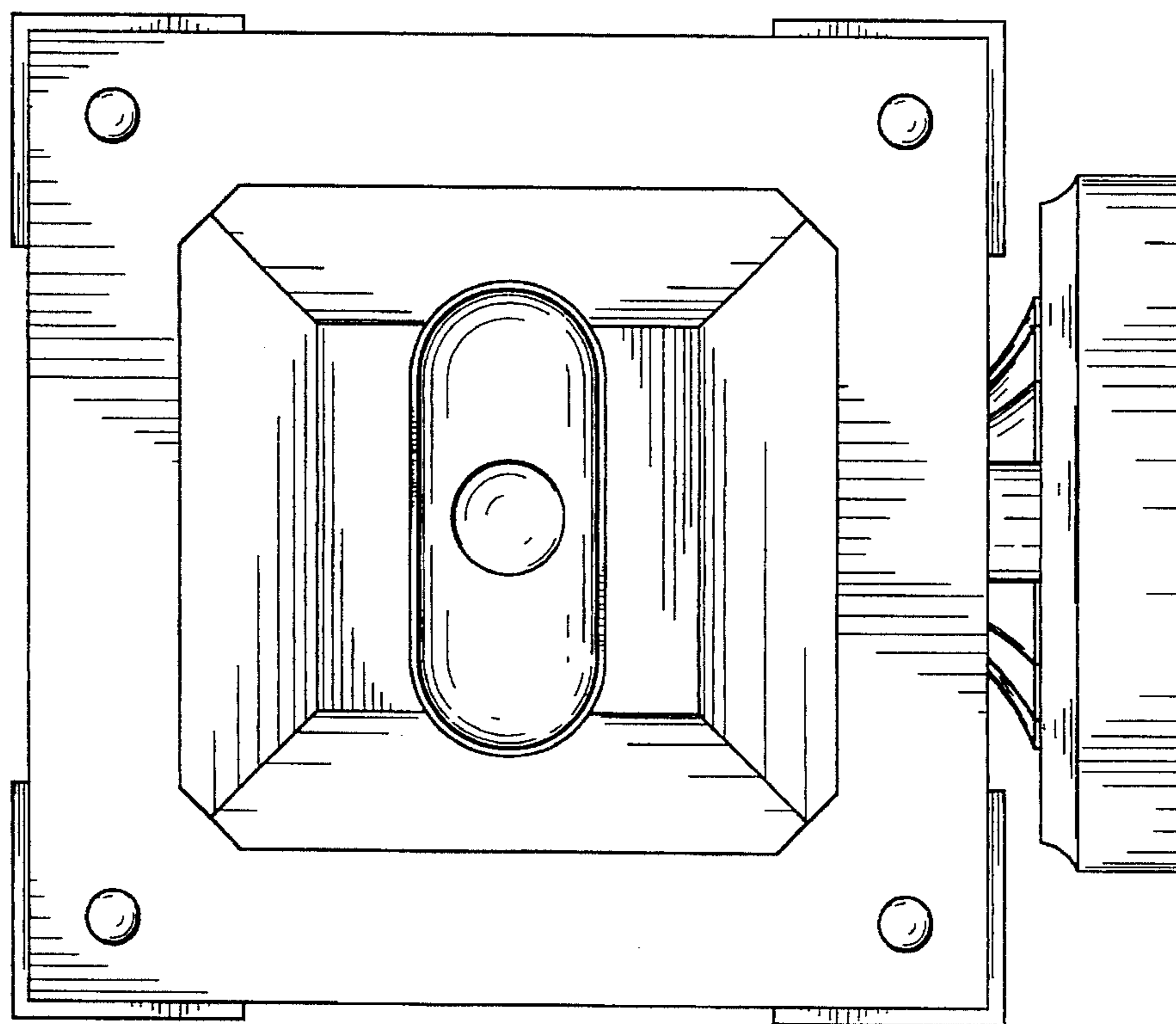


Fig.6