



US00D367722S

**United States Patent** [19]  
**Yuen**

[11] **Patent Number:** **Des. 367,722**  
[45] **Date of Patent:** **\*\*Mar. 5, 1996**

[54] **ADJUSTABLE TABLE LAMP**

[75] Inventor: **Se K. Yuen**, Kowloon, Hong Kong  
[73] Assignee: **John Manufacturing Ltd.**, Kowloon, Hong Kong  
[\*\*] Term: **14 Years**

[21] Appl. No.: **27,624**  
[22] Filed: **Aug. 25, 1994**

[30] **Foreign Application Priority Data**  
May 3, 1994 [GB] United Kingdom ..... 2038820  
[52] **U.S. Cl.** ..... **D26/63**  
[58] **Field of Search** ..... D26/60-66; 362/269, 362/274, 275, 285, 413, 418, 419, 427

[56] **References Cited**  
**U.S. PATENT DOCUMENTS**

D. 170,925 11/1953 Kaveckas ..... D26/64 X  
D. 178,415 7/1956 Mugnai ..... D26/63

**OTHER PUBLICATIONS**

Nessen Lamps Inc. catalog 1982, p. 18, adjustable desk lamp #NAT52.

*Primary Examiner*—Susan J. Lucas  
*Attorney, Agent, or Firm*—Blakely, Sokoloff, Taylor & Zafman

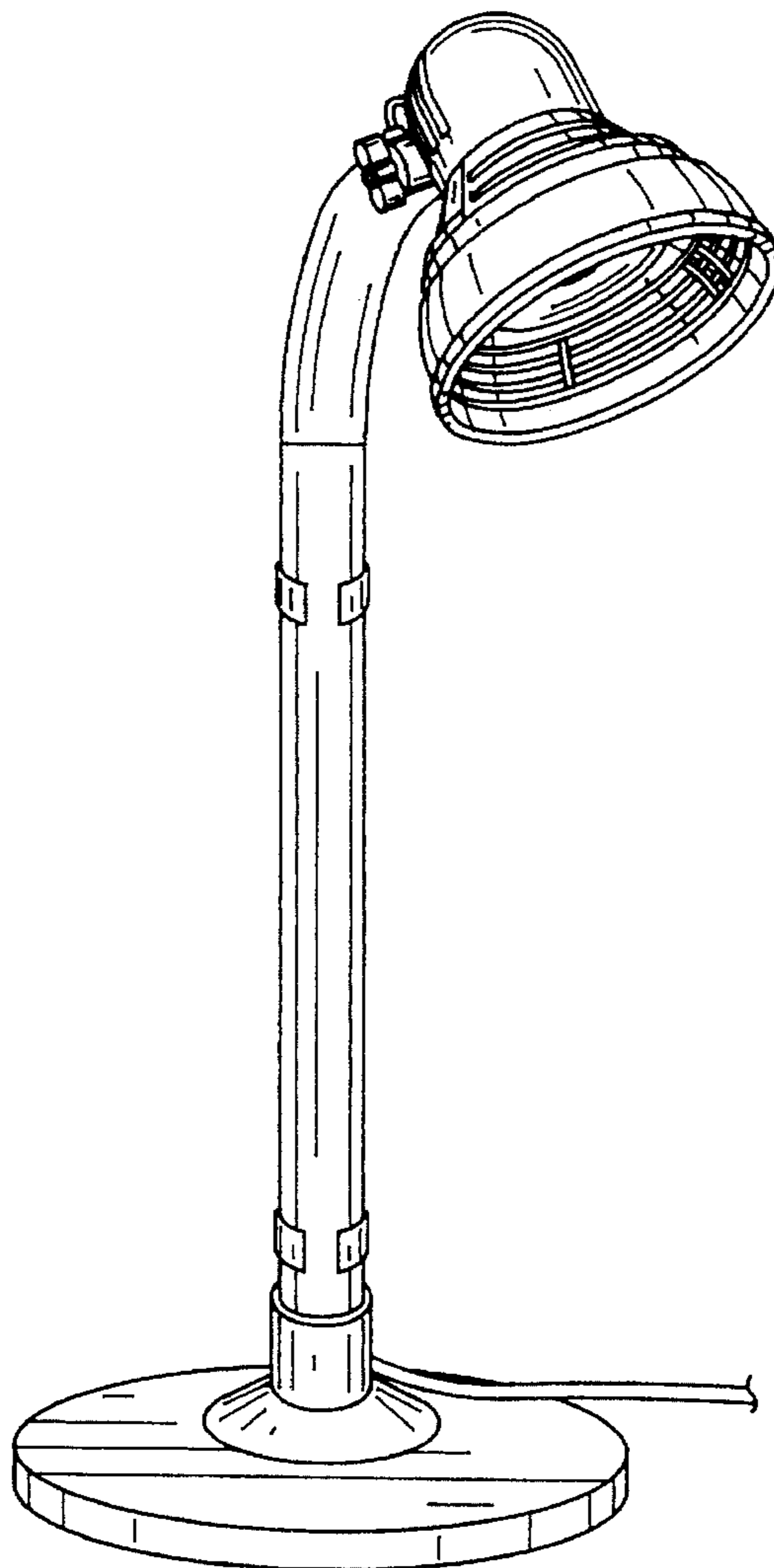
[57] **CLAIM**

The ornamental design for adjustable table lamp, as shown and described.

**DESCRIPTION**

FIG. 1 is a side perspective view thereof;  
FIG. 2 is a front elevational view thereof;  
FIG. 3 is a rear elevational view thereof;  
FIG. 4 is a side elevational view thereof;  
FIG. 5 is an elevational view of the side opposite from the side shown in FIG. 4.  
FIG. 6 is a top plan view thereof; and,  
FIG. 7 is a bottom plan view thereof.

**1 Claim, 4 Drawing Sheets**



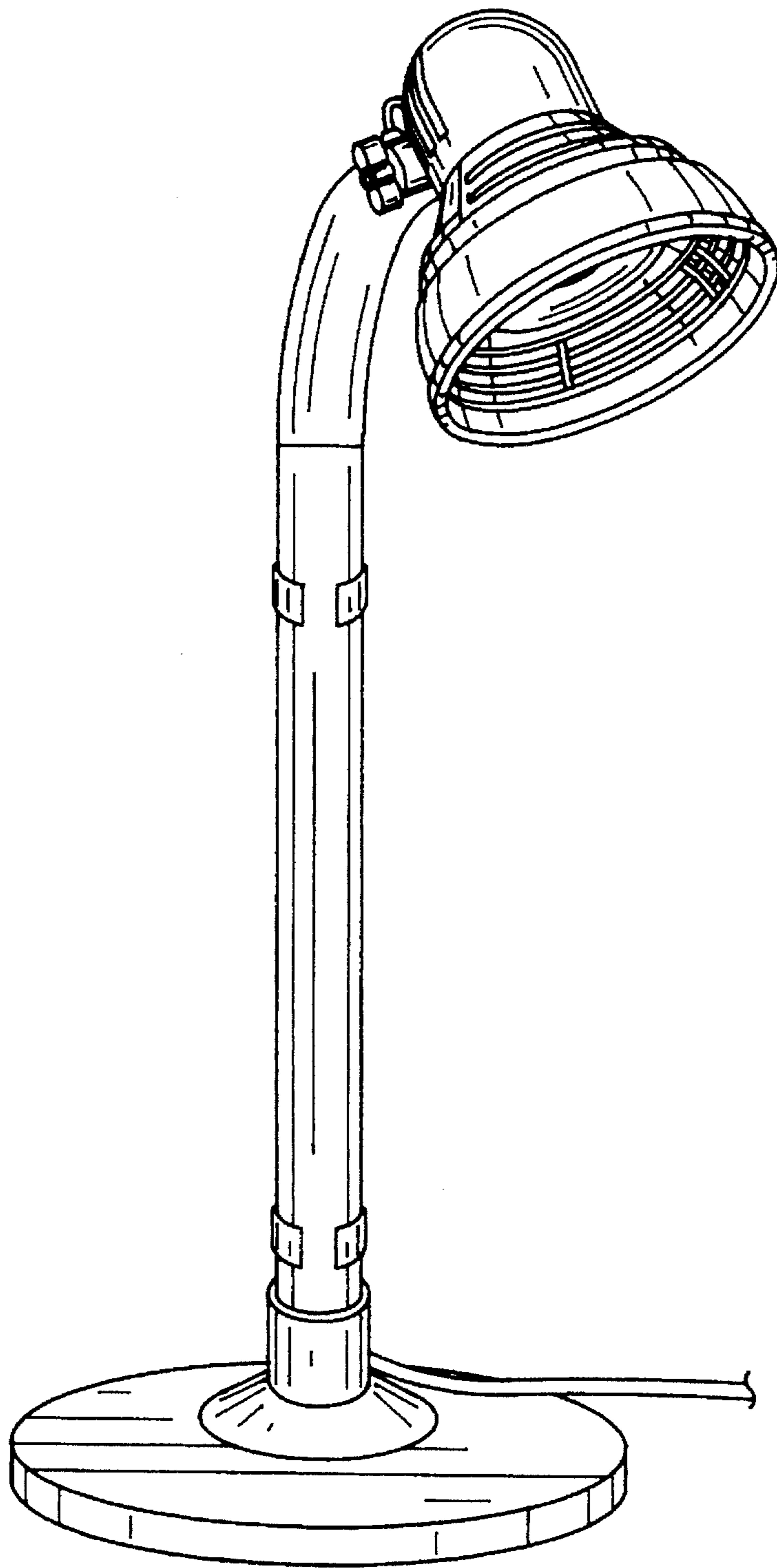


FIG. 1

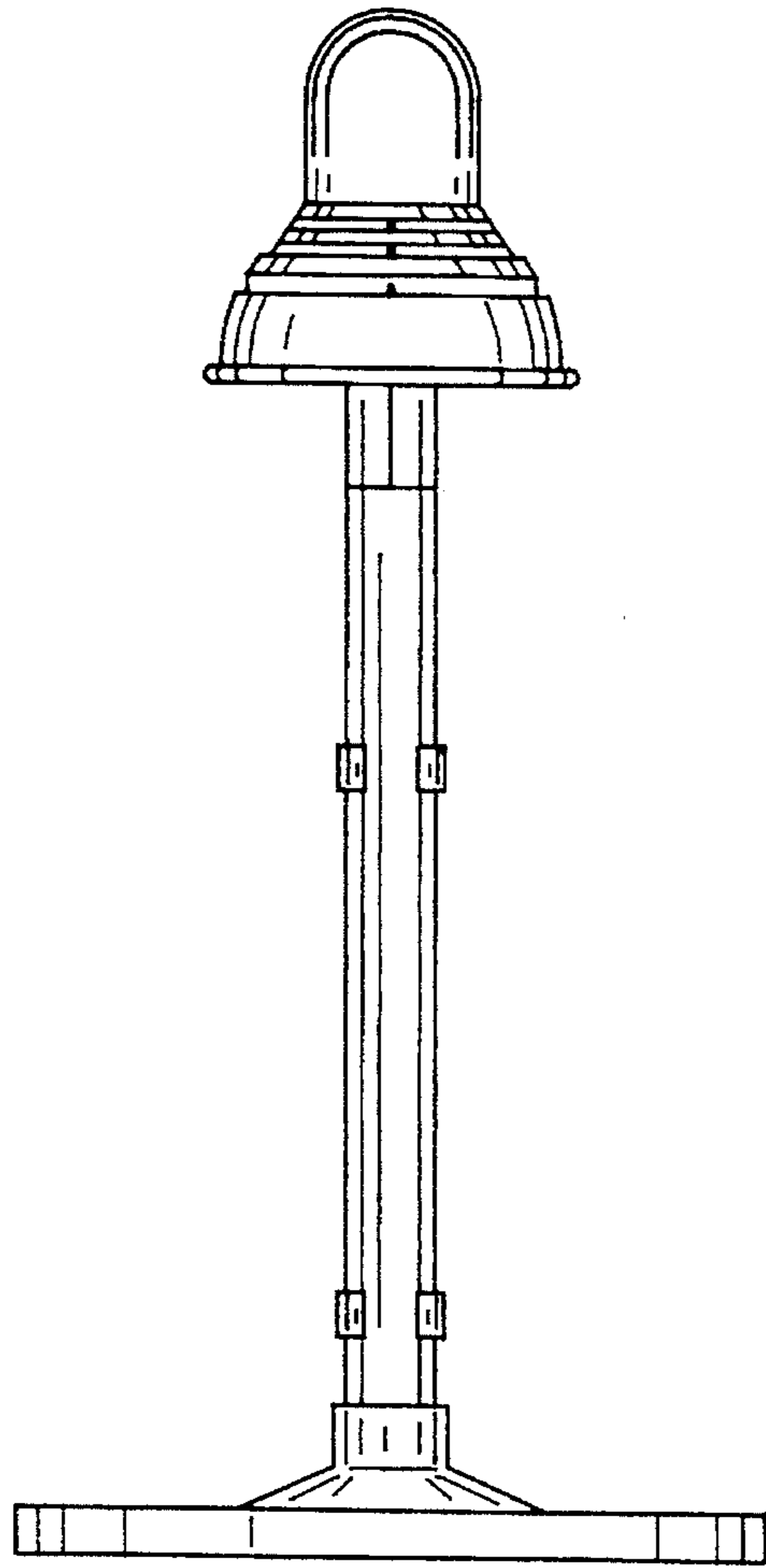


FIG. 2

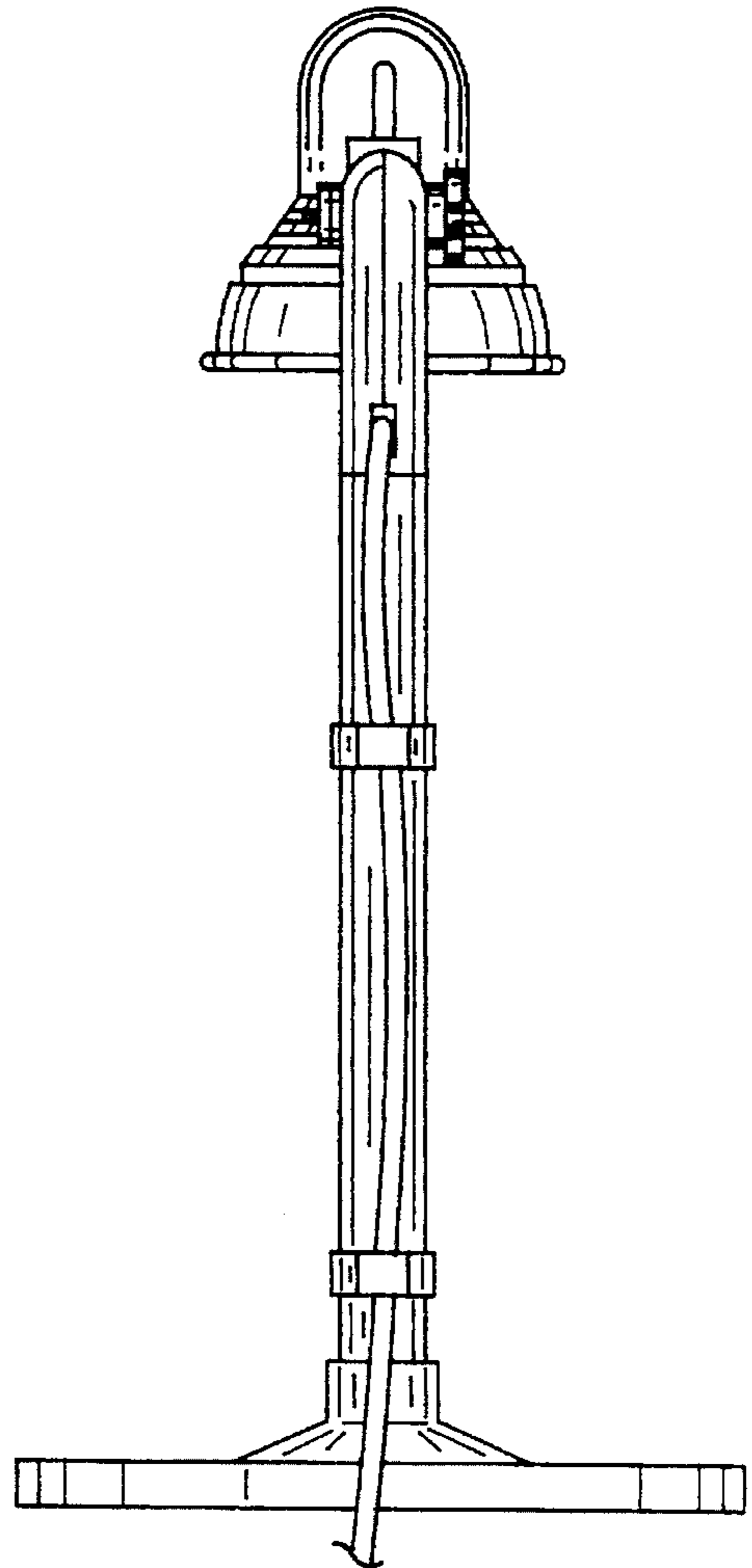


FIG. 3

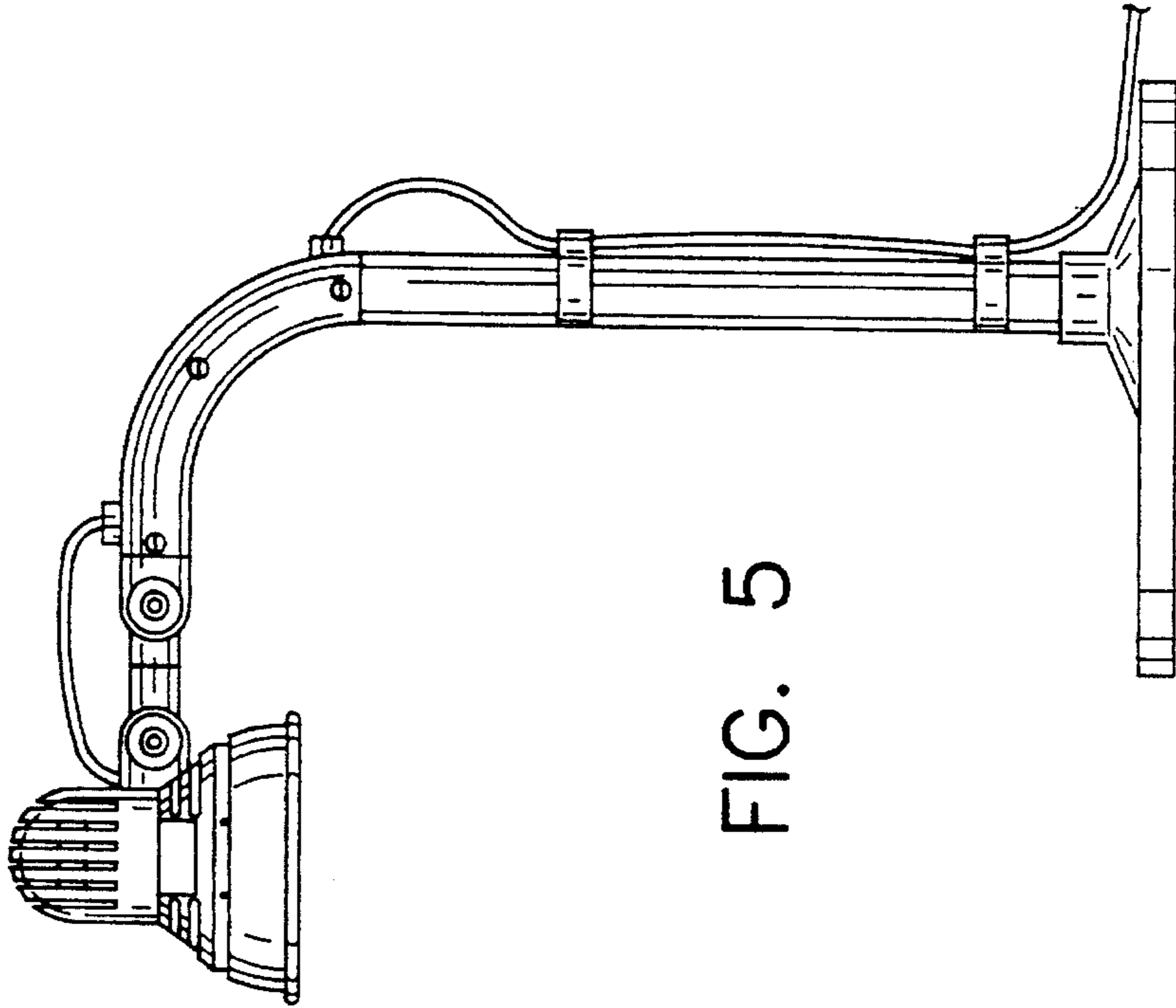


FIG. 5

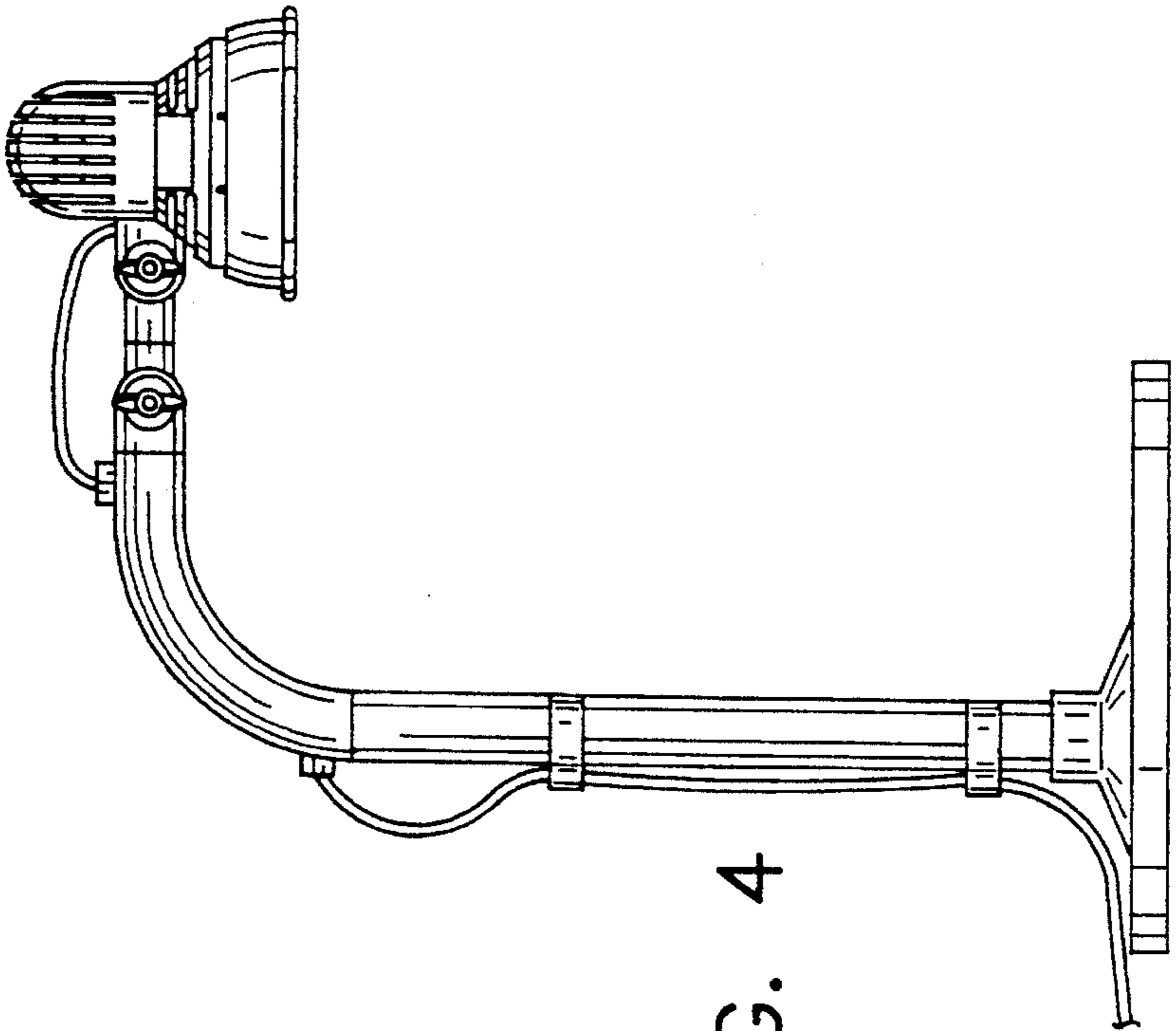


FIG. 4

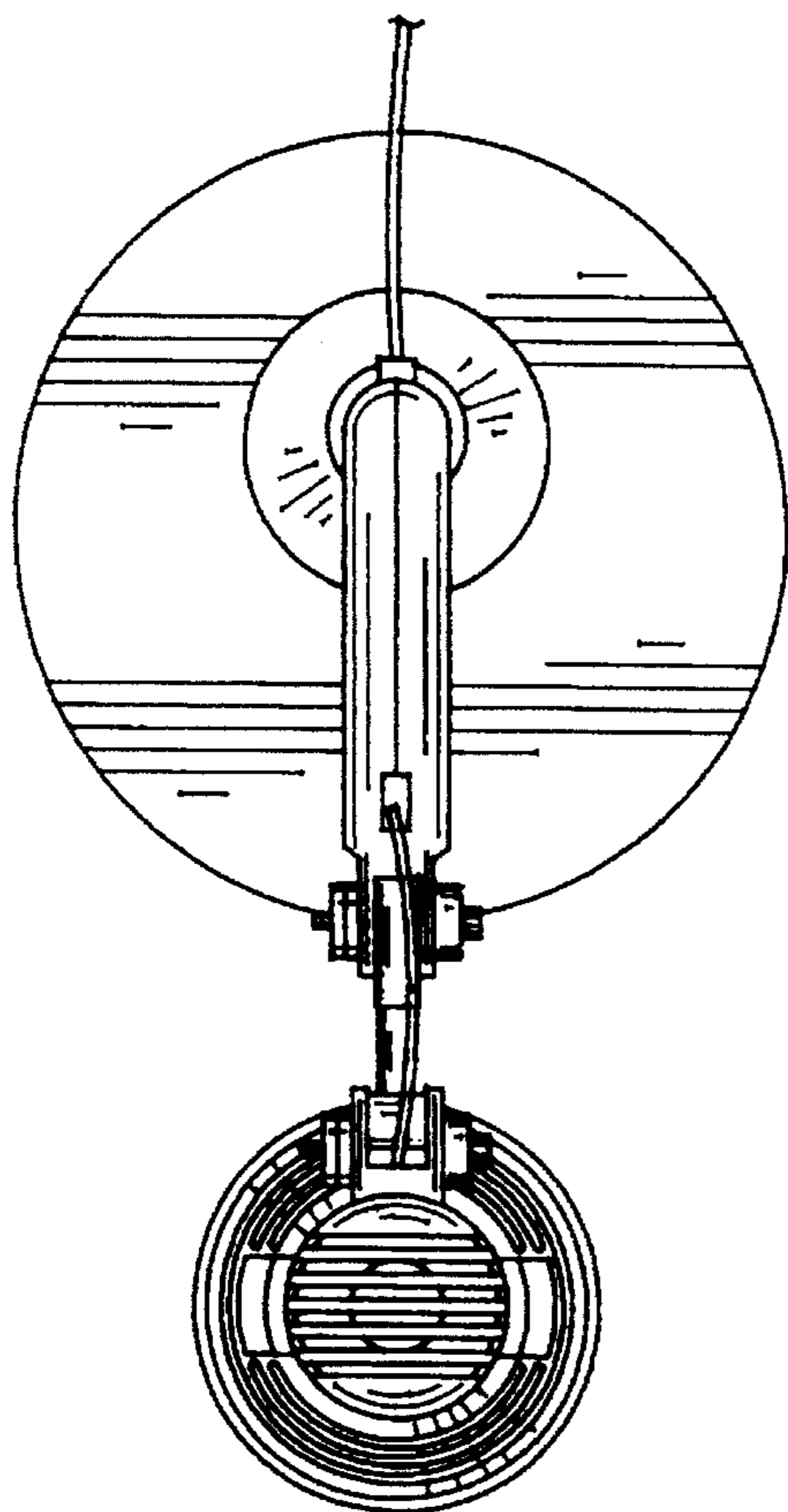


FIG. 6

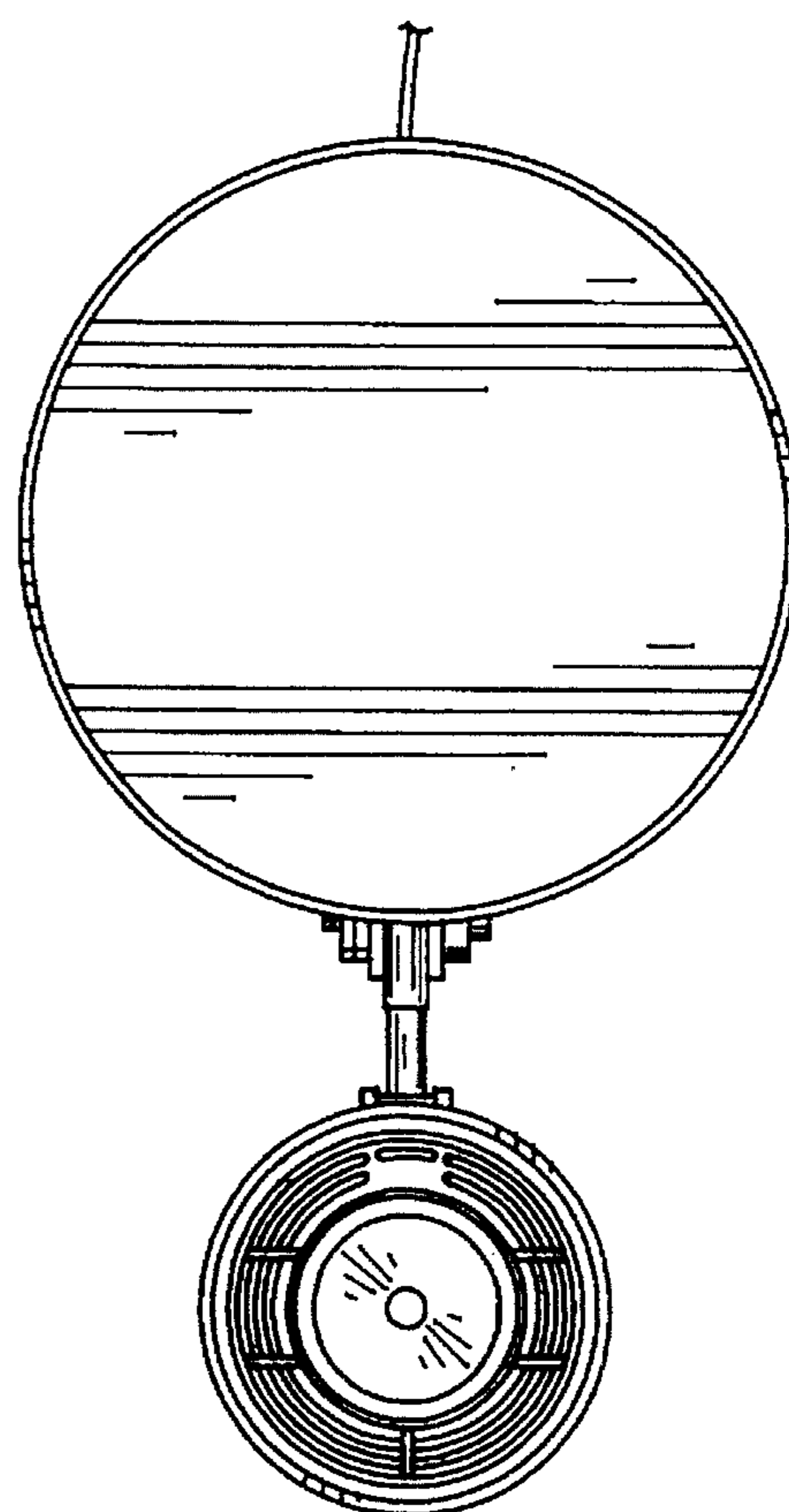


FIG. 7