



US00D367721S

United States Patent [19]
Maglica

[11] **Patent Number: Des. 367,721**
[45] **Date of Patent: *** Mar. 5, 1996**

[54] **FLASHLIGHT**

[75] **Inventor: Anthony Maglica, Anaheim, Calif.**

[73] **Assignee: Mag Instrument, Inc., Ontario, Calif.**

[*] **Notice:** The portion of the term of this patent subsequent to Feb. 11, 2006, has been disclaimed.

[**] **Term: 14 Years**

[21] **Appl. No.: 16,209**

[22] **Filed: Dec. 10, 1993**

Related U.S. Application Data

[63] Continuation-in-part of Ser. No. 834,497, Feb. 11, 1992, Pat. No. Des. 343,333.

[52] **U.S. Cl.** **D26/49**

[58] **Field of Search** D26/37-50; 362/157, 362/158, 183, 184, 187-191, 196-200, 202

[56] **References Cited**

U.S. PATENT DOCUMENTS

4,398,238	8/1983	Nelson	362/202 X
4,951,183	8/1990	Wang	362/202 X
5,143,441	9/1992	Maglica	362/197 X

Primary Examiner—Susan J. Lucas
Attorney, Agent, or Firm—Lyon & Lyon

[57] **CLAIM**

The ornamental design for a flashlight, as shown and described.

DESCRIPTION

FIG. 1 is a front perspective view of the flashlight showing my new design;
FIG. 2 is a rear perspective view thereof;
FIG. 3 is a side elevational view thereof, the opposite side being identical in appearance;
FIG. 4 is an end elevational view thereof; and,
FIG. 5 is a front elevational view thereof.

1 Claim, 1 Drawing Sheet



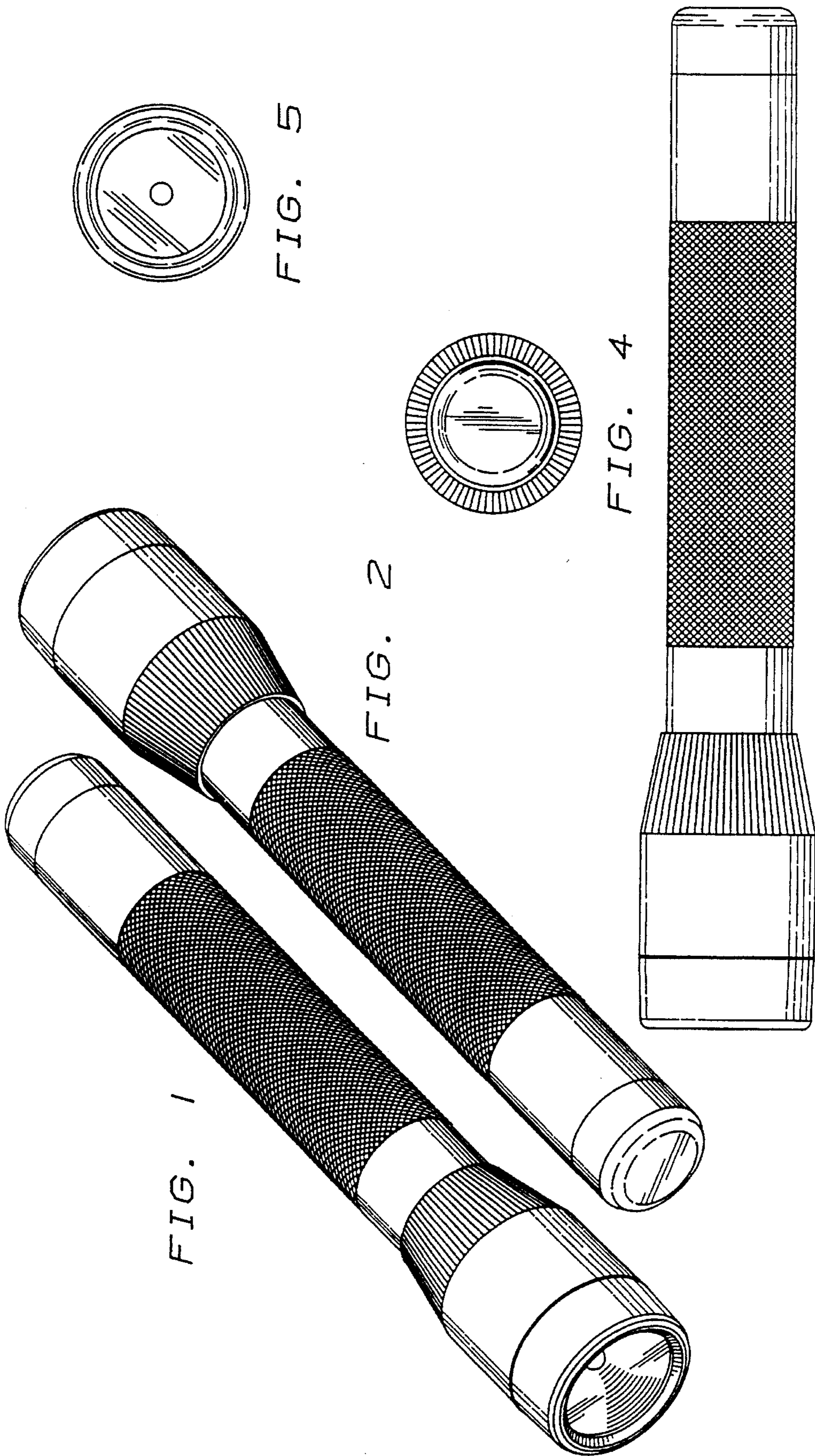


FIG. 1

FIG. 2

FIG. 4

FIG. 3

FIG. 5