



US00D367718S

United States Patent [19]

[11] Patent Number: **Des. 367,718**

Tinen

[45] Date of Patent: ****Mar. 5, 1996**

[54] **FIBERGLASS REINFORCED GYPSUM CEILING PANEL**

3,087,577 4/1963 Prestia 52/316

[75] Inventor: **William J. Tinen**, Glenview, Ill.

Primary Examiner—Doris Clark
Attorney, Agent, or Firm—John M. Lorenzen; David F. Janci

[73] Assignee: **USG Interiors, Inc.**, Chicago, Ill.

[57] **CLAIM**

[**] Term: **14 Years**

The ornamental design for fiberglass reinforced gypsum ceiling panel, as shown.

[21] Appl. No.: **32,338**

DESCRIPTION

[22] Filed: **Dec. 16, 1994**

FIG. 1 is a front perspective view;
FIG. 2 is a front elevational view;
FIG. 3 is an edge view thereof from the top of FIG. 2;
FIG. 4 is an edge view thereof from the right side of FIG. 2;
FIG. 5 is an edge view thereof from the bottom of FIG. 2;
FIG. 6 is an edge view thereof from the left side of FIG. 2;
FIG. 7 is a rear elevational view; and,
FIG. 8 is a sectional view taken along line 8—8 of FIG. 7.

[52] U.S. Cl. **D25/157**

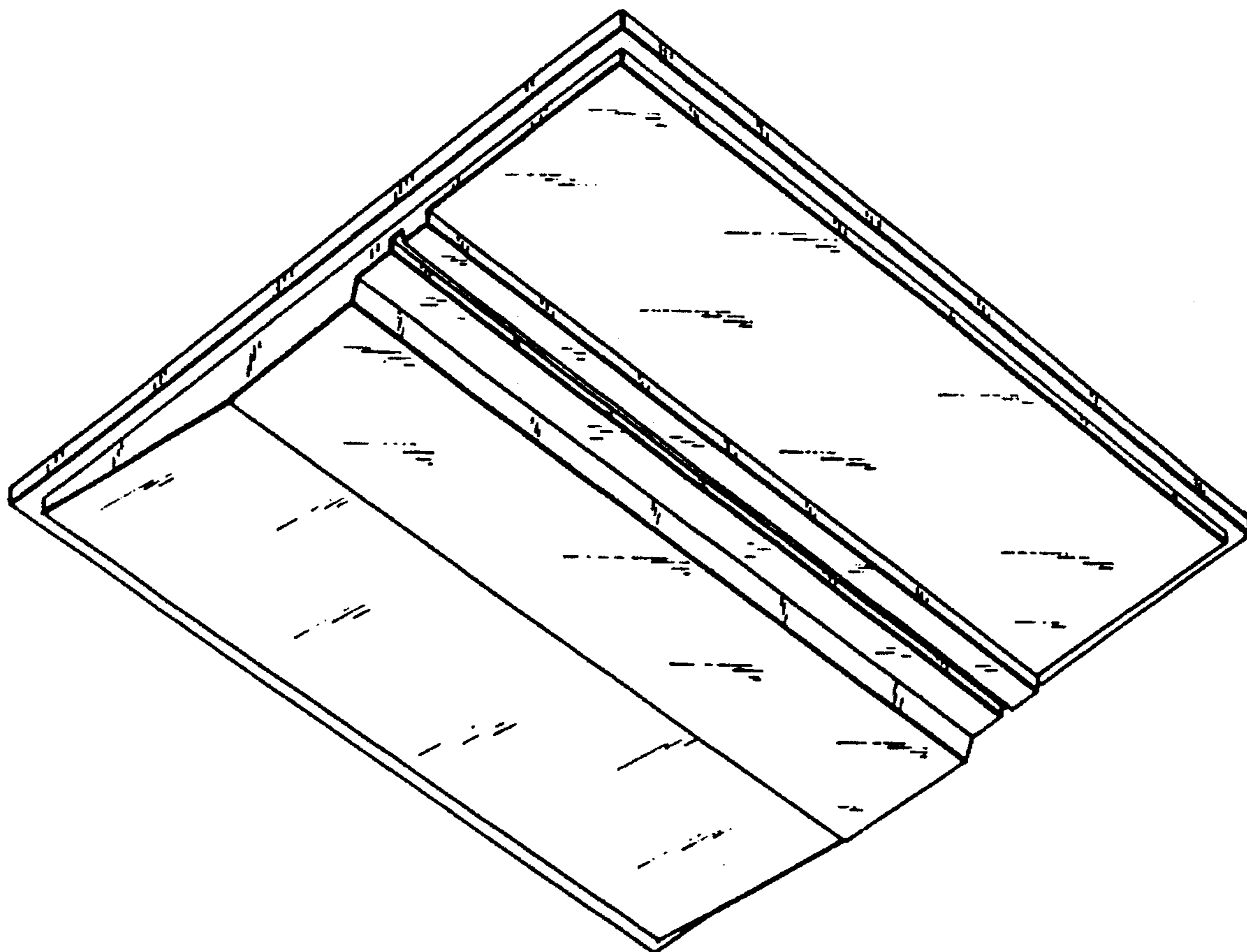
[58] Field of Search D25/58, 138, 157,
D25/159-162; 52/311.2, 316, 284, 144,
145, 475

[56] **References Cited**

U.S. PATENT DOCUMENTS

D. 299,870 2/1989 Jennings D25/157

1 Claim, 3 Drawing Sheets



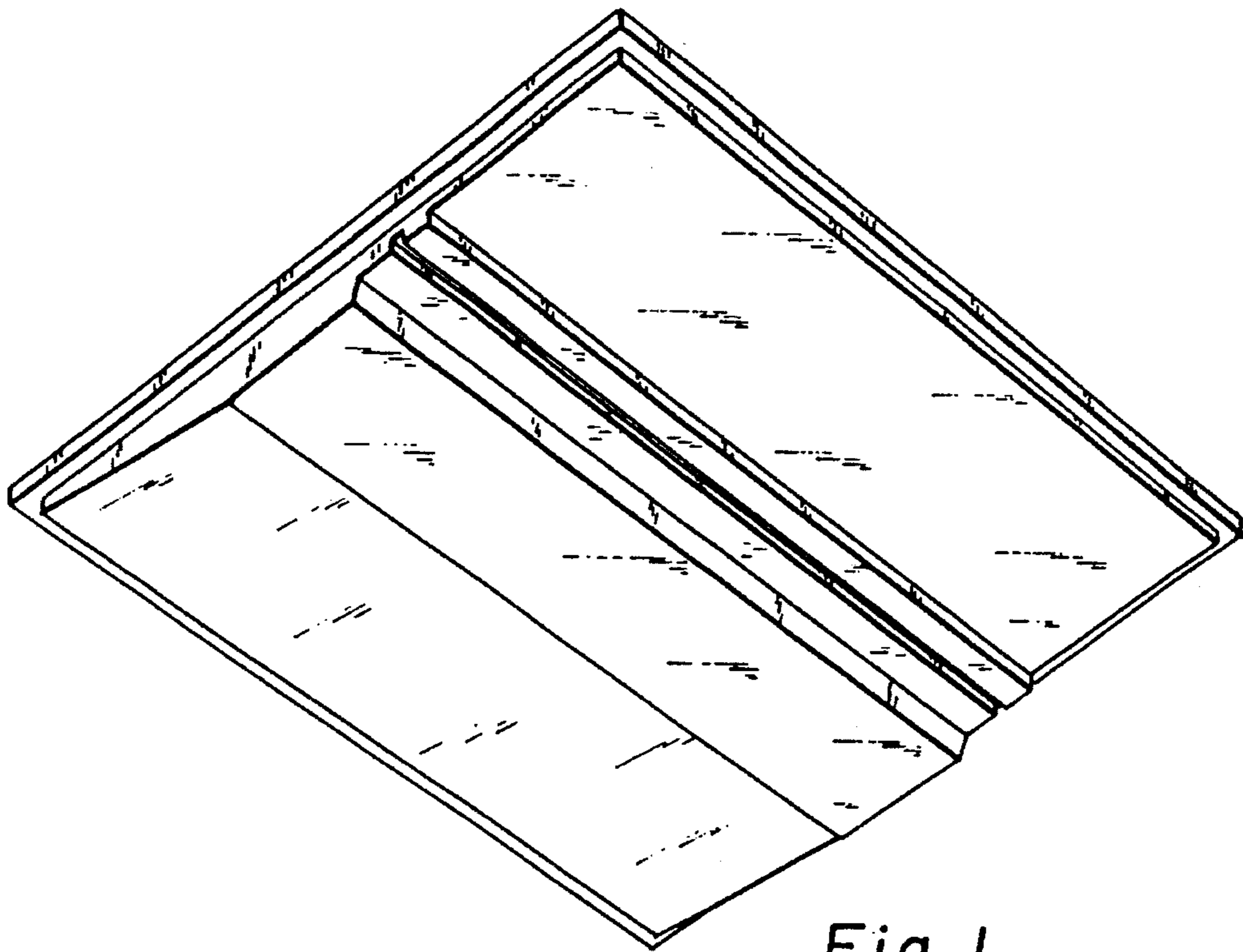


Fig. 1

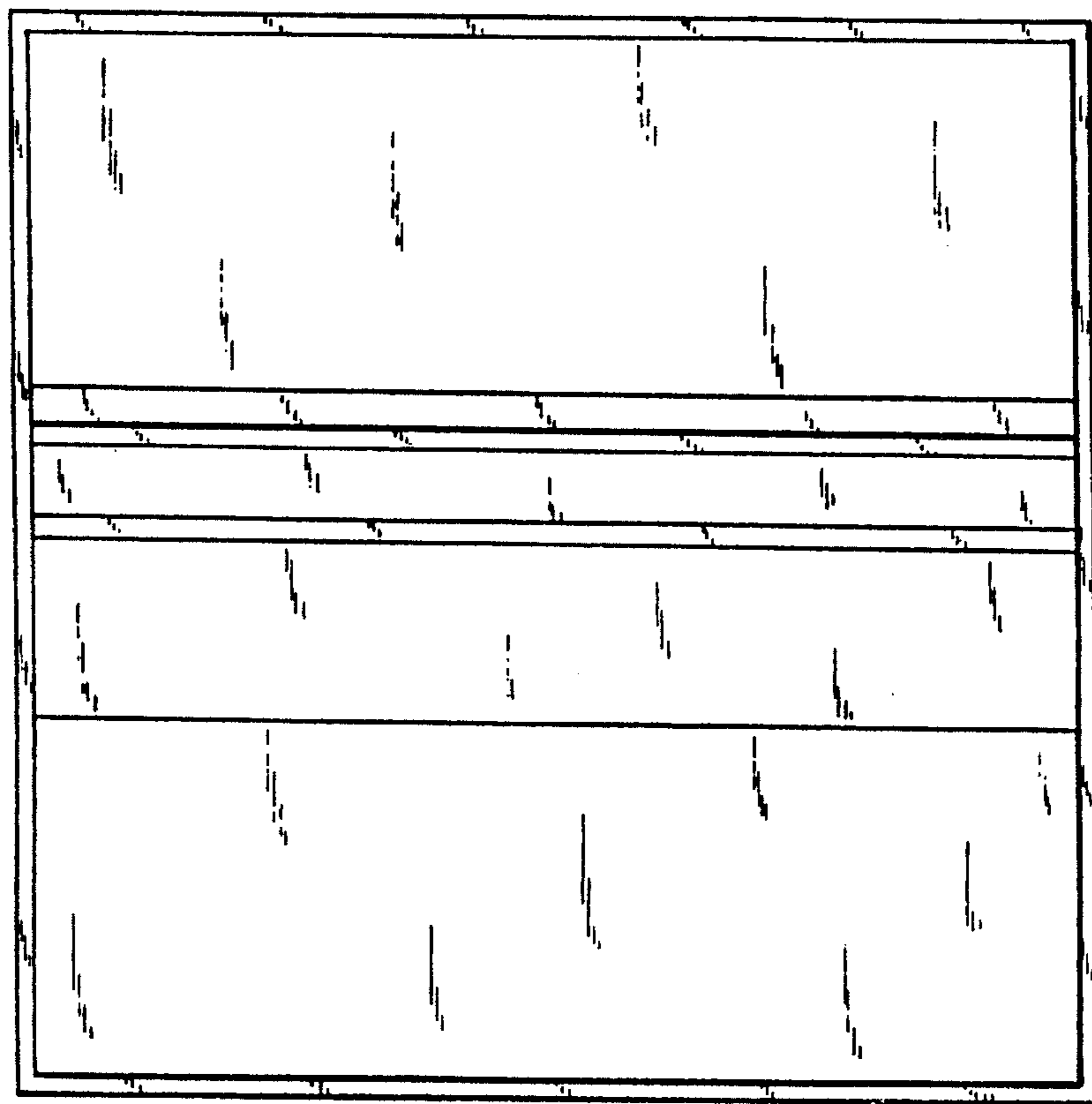


Fig. 2

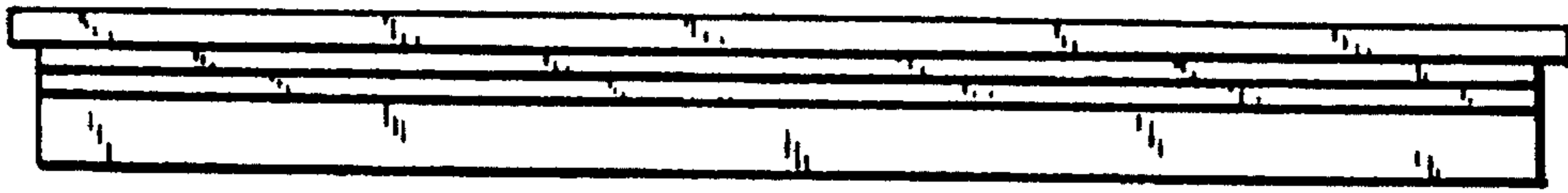


Fig. 3

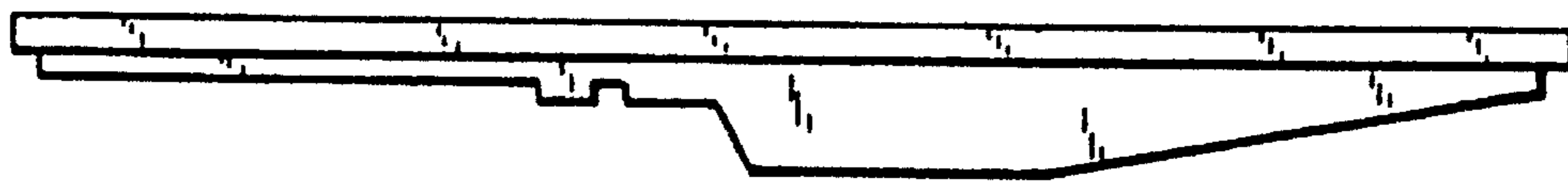


Fig. 4

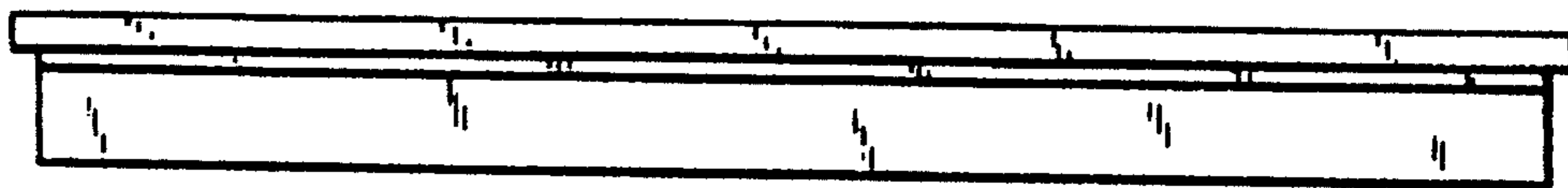


Fig. 5

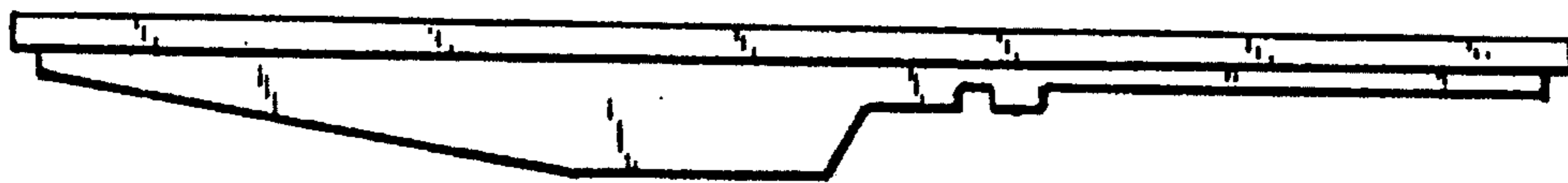


Fig. 6

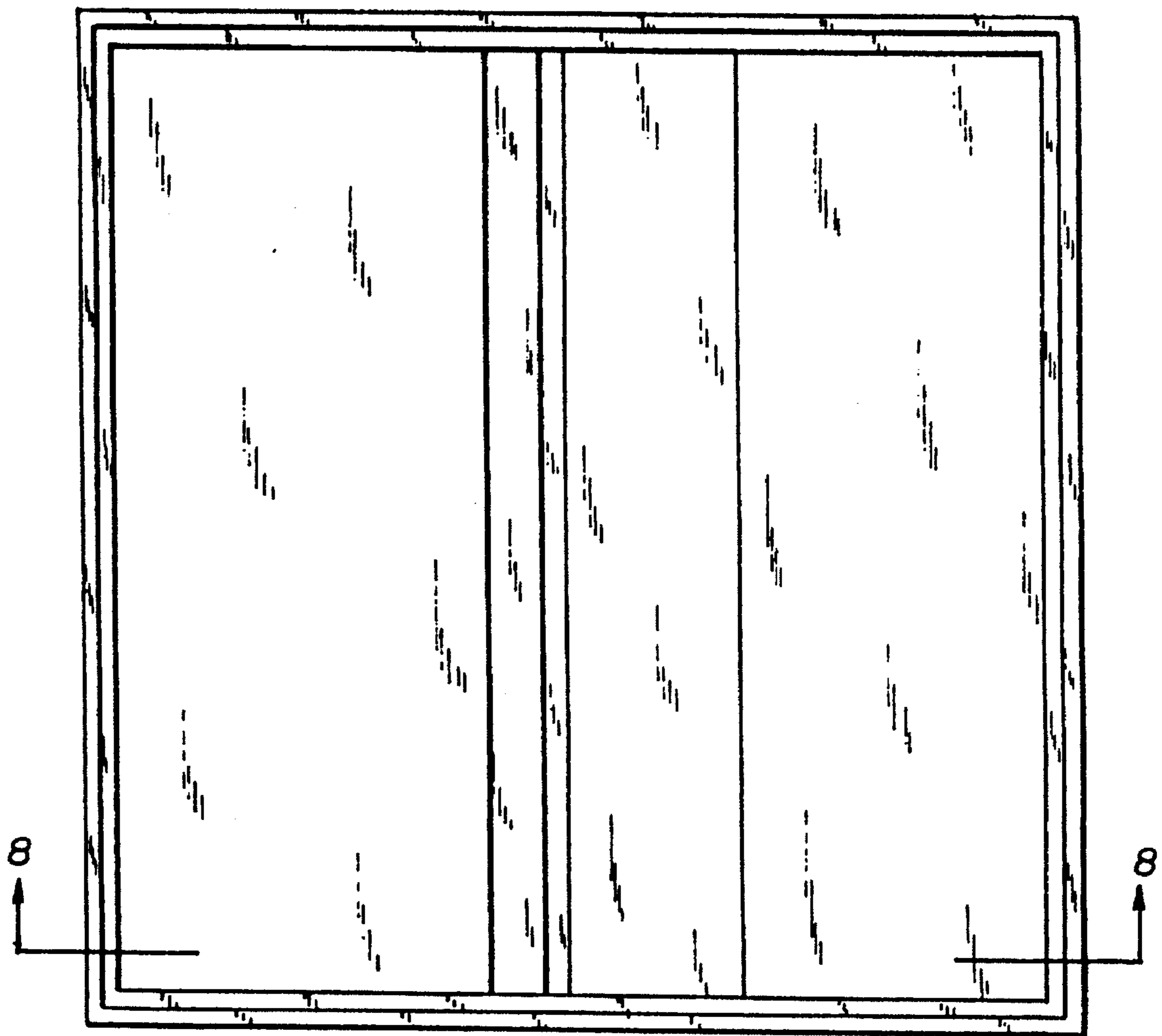


Fig. 7



Fig. 8