



US00D367714S

United States Patent [19]
Pennicook

[11] **Patent Number: Des. 367,714**

[45] **Date of Patent: **Mar. 5, 1996**

[54] **IMMUNOASSAY TEST KIT**

[75] Inventor: **Alexander Pennicook**, New South Wales, Australia

[73] Assignee: **Biotech Australia Pty Ltd.**, New South Wales, Australia

[**] Term: **14 Years**

[21] Appl. No.: **17,237**

[22] Filed: **Jan. 7, 1994**

[30] **Foreign Application Priority Data**

Jul. 9, 1993 [AU] Australia 2097/93

[52] U.S. Cl. **D24/223; D24/224; D24/227**

[58] Field of Search **D24/227, 230, D24/229, 228, 223, 224; 422/102, 104; 211/71, 74, 49.1**

[56] **References Cited**

U.S. PATENT DOCUMENTS

D. 227,180	6/1973	Brudsky	D24/223
4,160,803	7/1979	Potts	422/104 X
4,929,427	5/1990	Guala	422/104 X

Primary Examiner—Louis S. Zarfaz
Assistant Examiner—I. Simmons
Attorney, Agent, or Firm—Foley & Lardner

[57] **CLAIM**

The ornamental design for a immunoassay test kit, as shown and described.

DESCRIPTION

FIG. 1 is a perspective view of the immunoassay test kit as assembled showing my new design;

FIG. 2 is a perspective view thereof as unassembled;

FIG. 3 is a front, elevational plan view thereof as assembled;

FIG. 4 is a front, elevational plan view thereof as unassembled;

FIG. 5 is a rear, elevational plan view thereof as assembled;

FIG. 6 is a rear, elevational plan view thereof as unassembled;

FIG. 7 is a left, elevational plan view thereof;

FIG. 8 is a right, elevational plan view thereof;

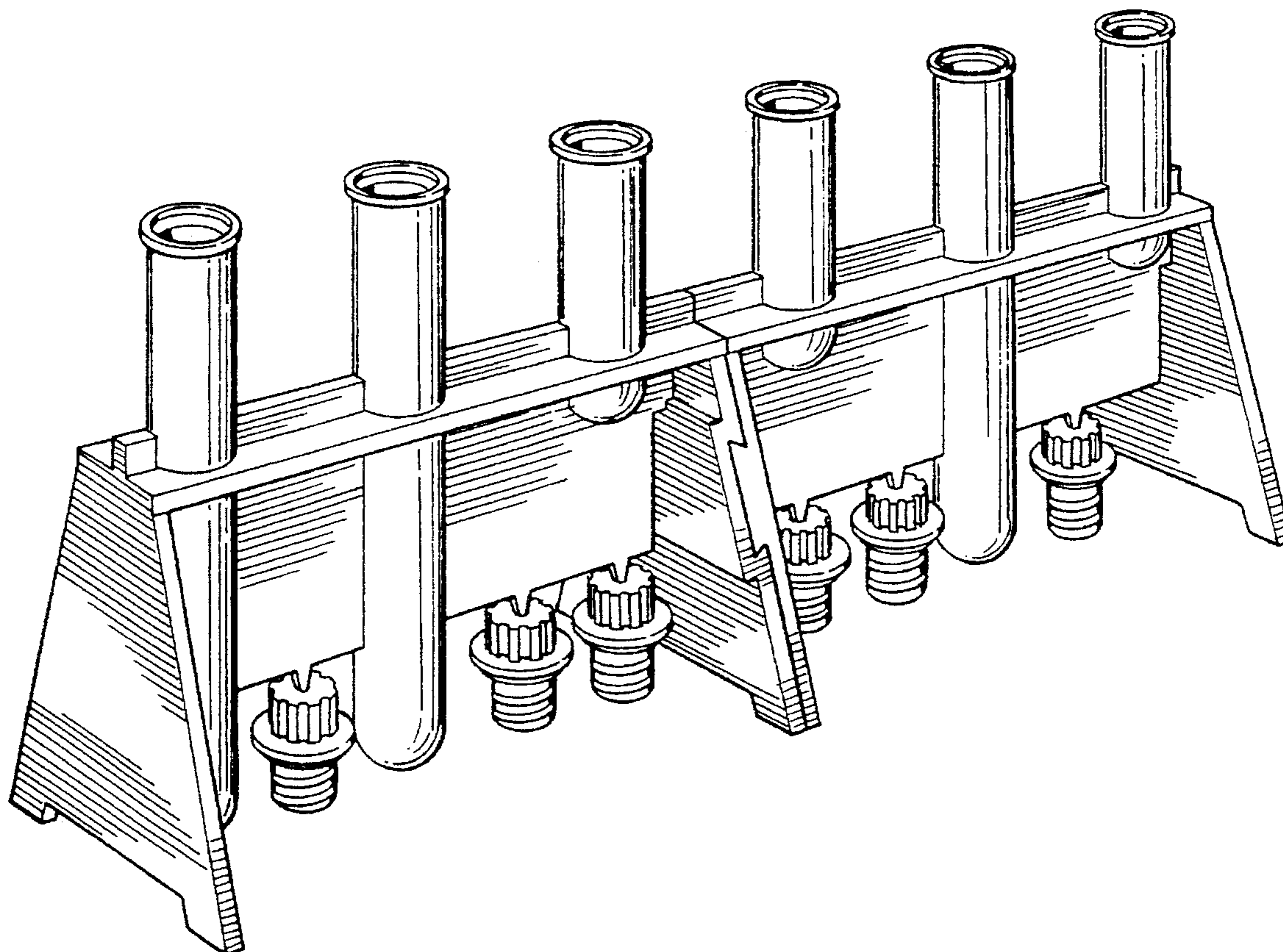
FIG. 9 is a top, elevational plan view thereof as assembled;

FIG. 10 is a top, elevational plan view thereof as unassembled;

FIG. 11 is a bottom, elevational plan view thereof as assembled; and,

FIG. 12 is a bottom, elevational plan view thereof as unassembled.

1 Claim, 9 Drawing Sheets



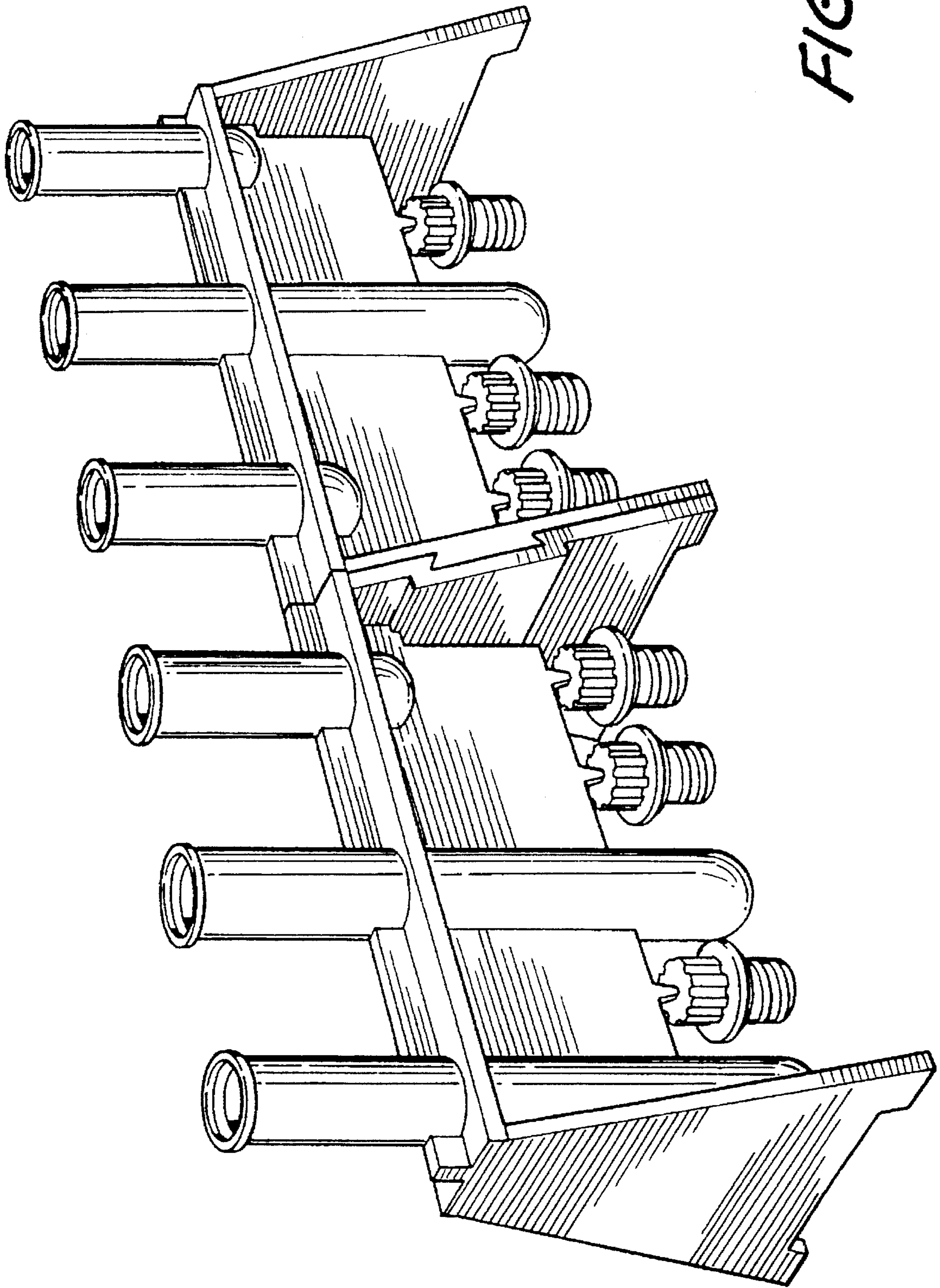


FIG. 1

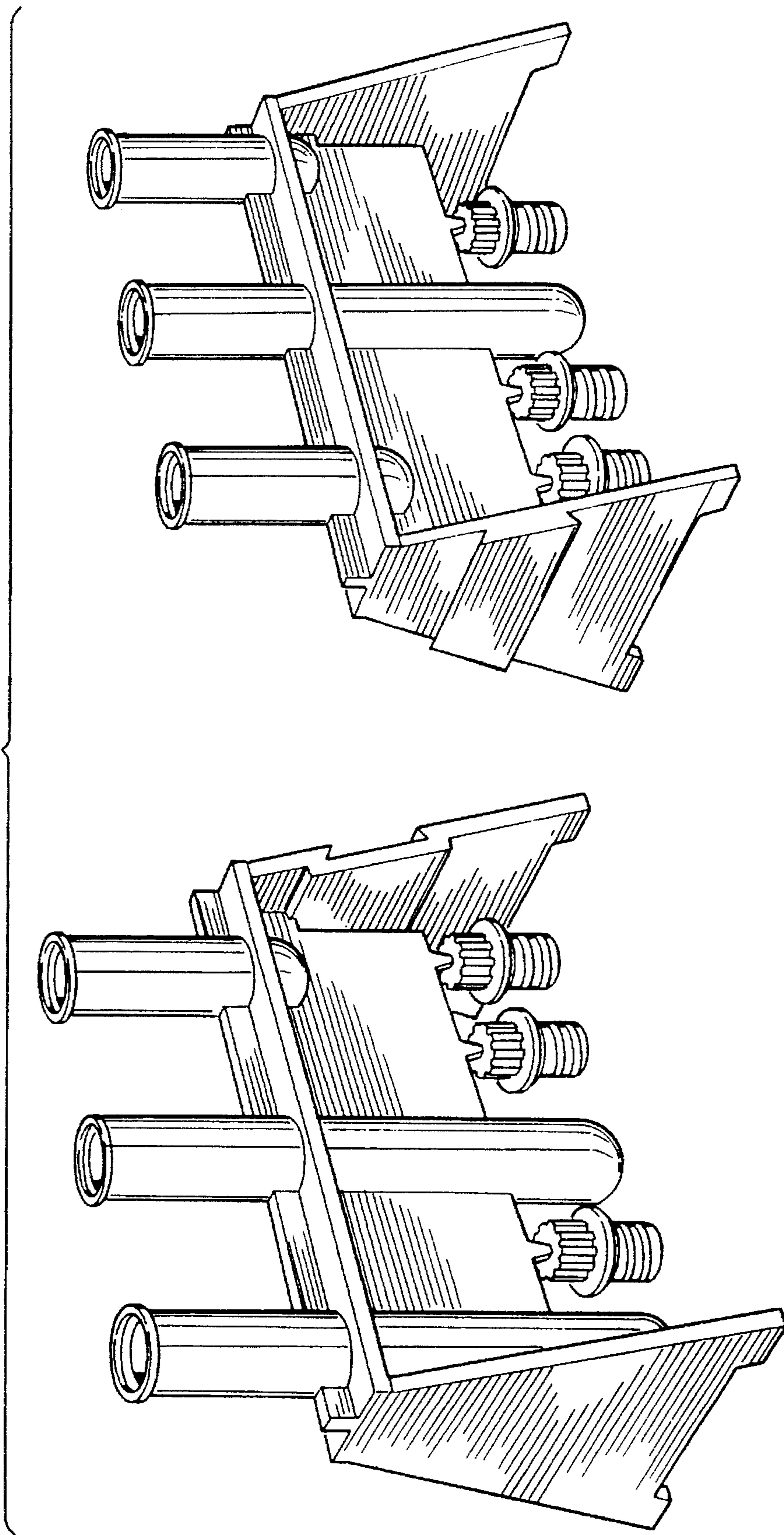


FIG. 2

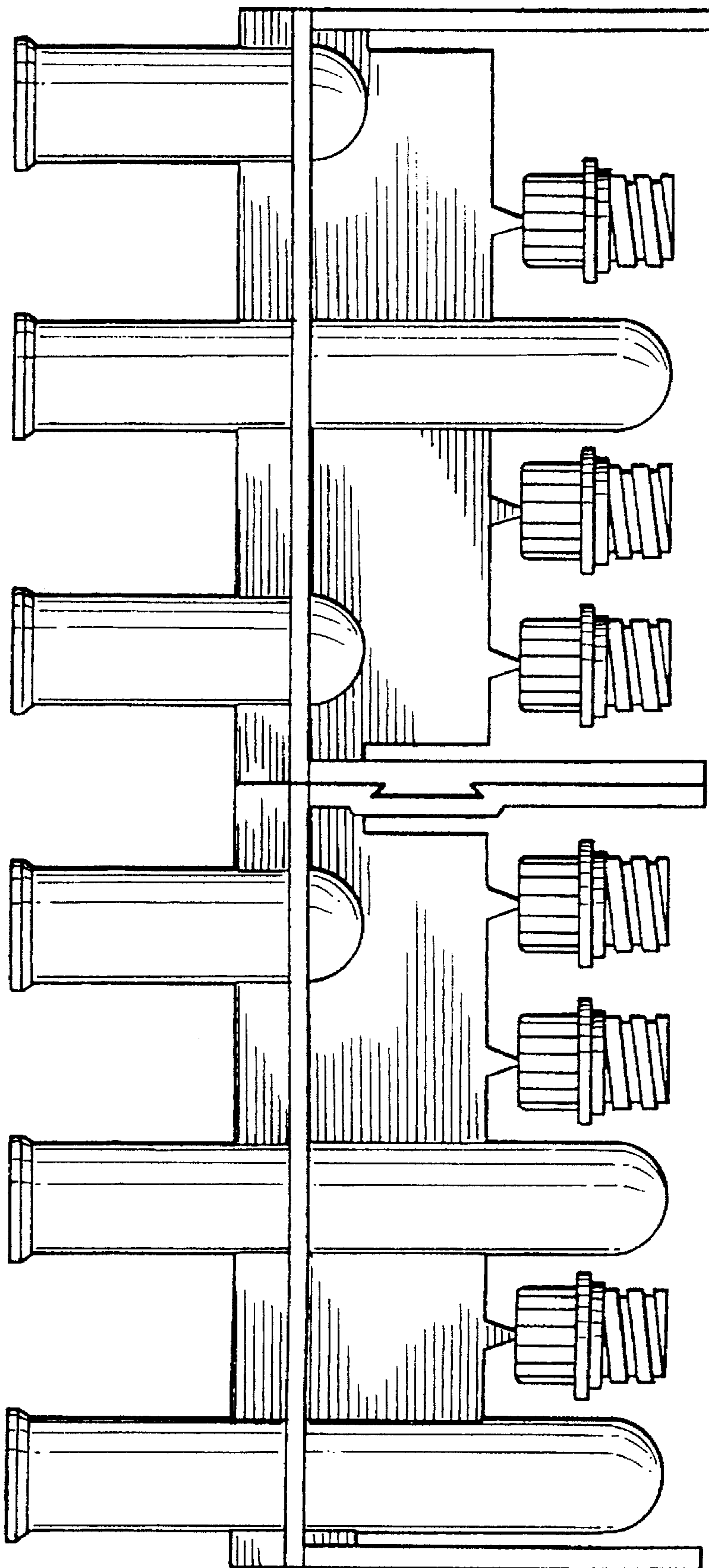


FIG. 3

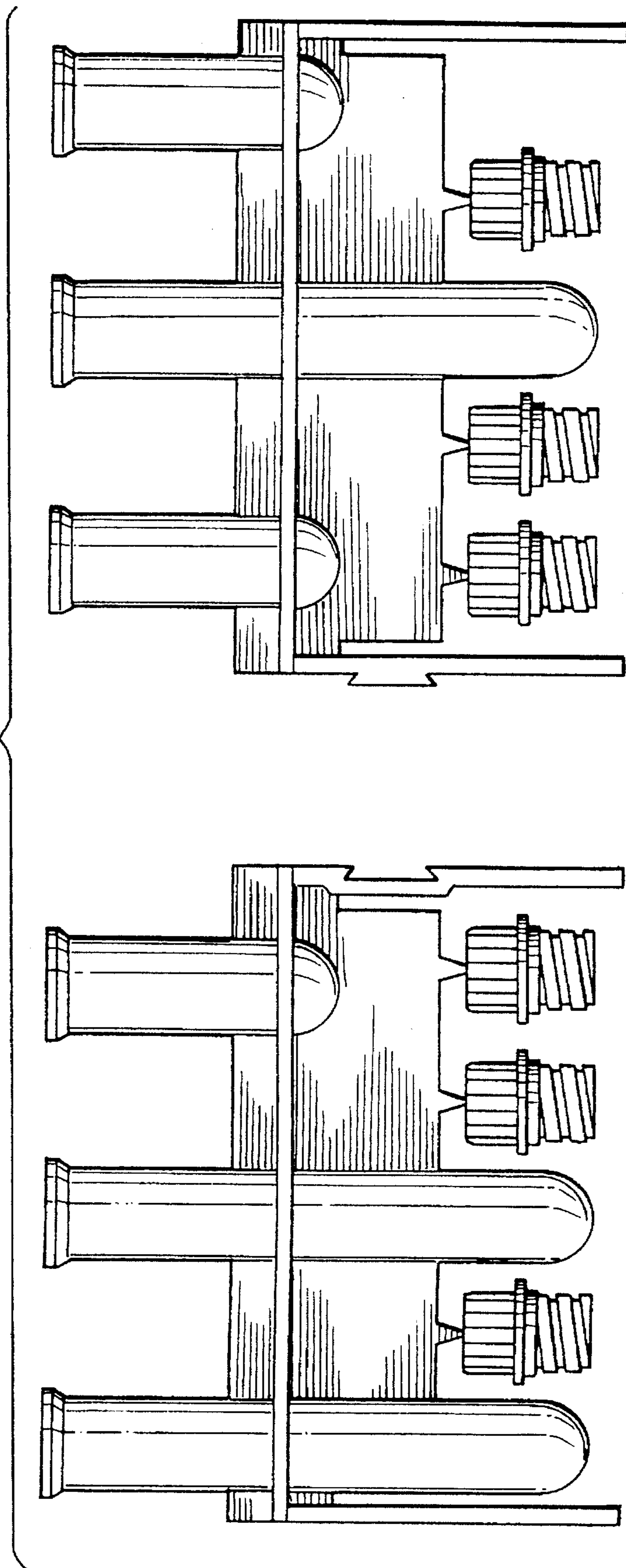


FIG. 4

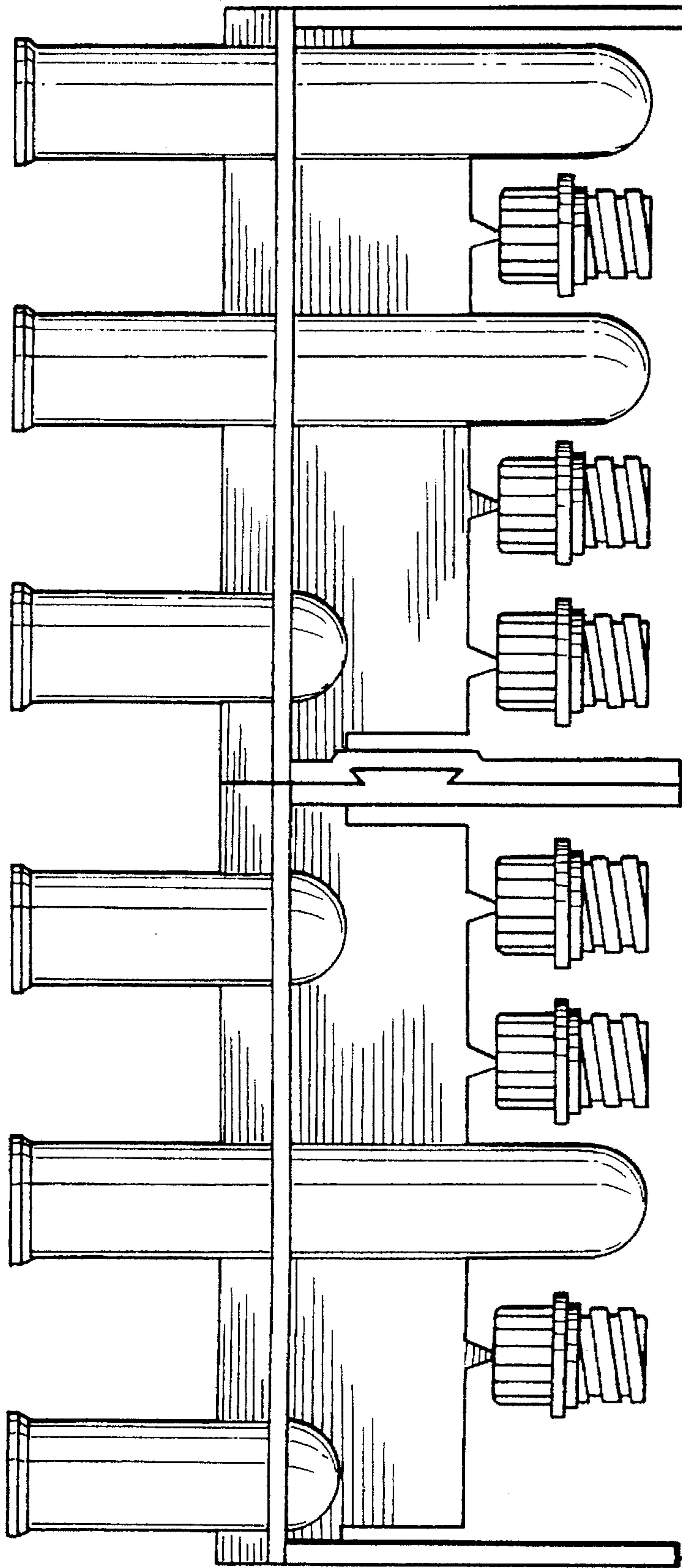


FIG. 5

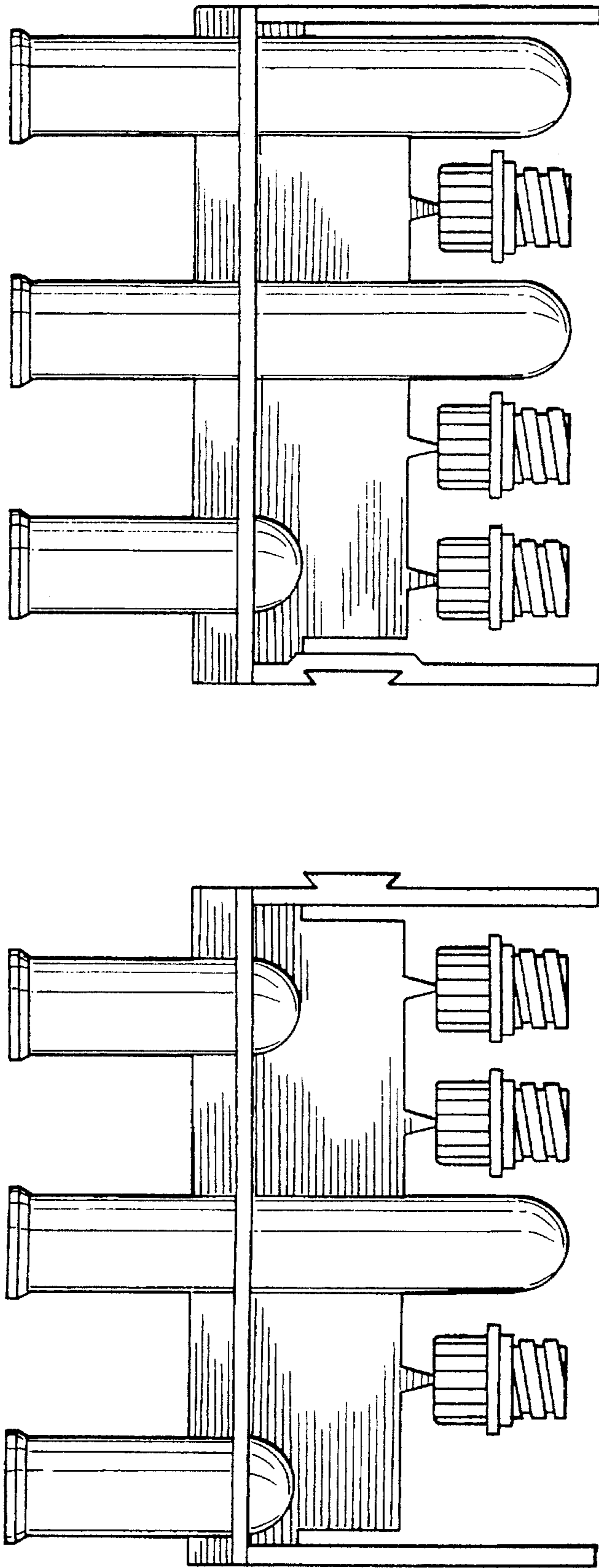


FIG. 6

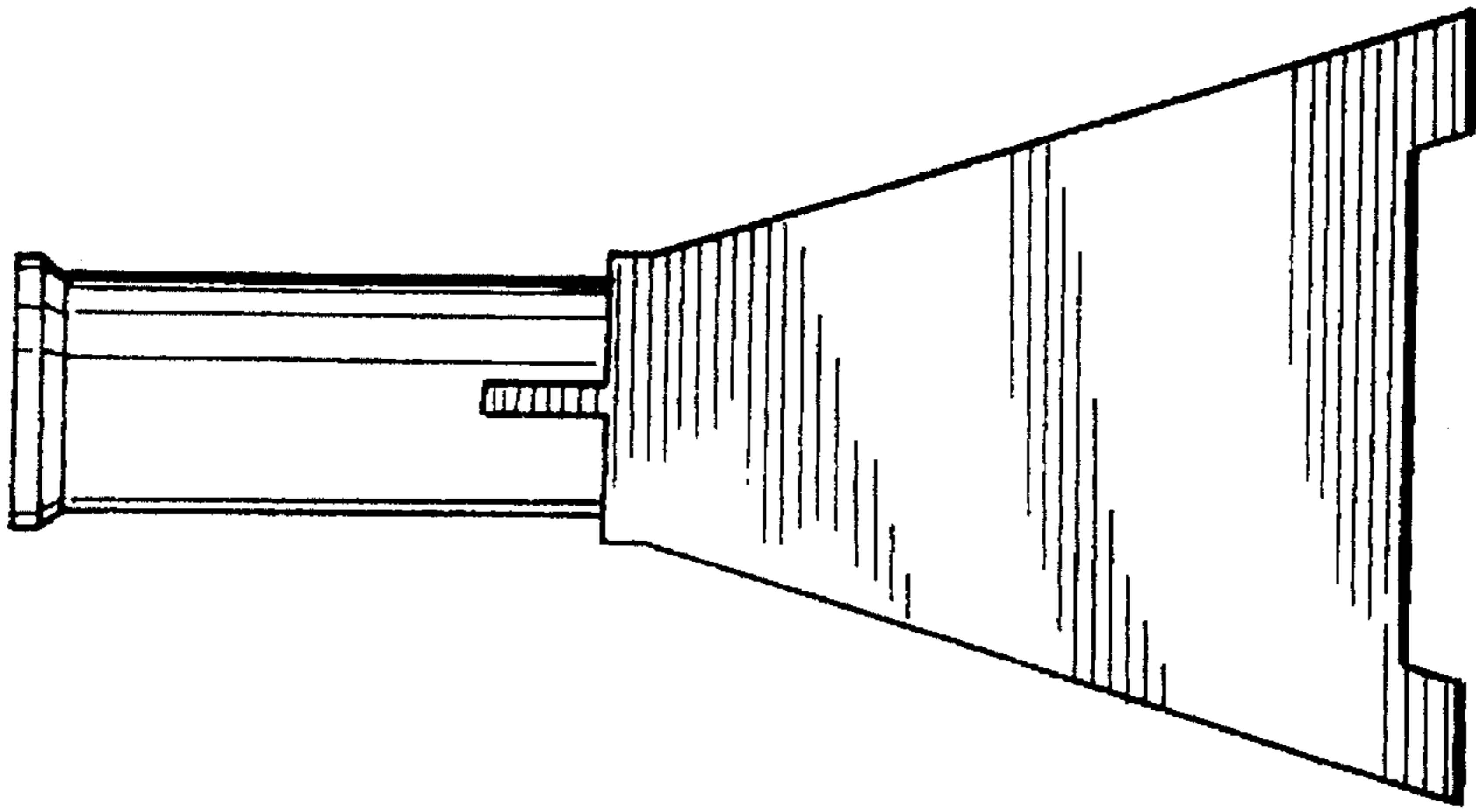


FIG. 8

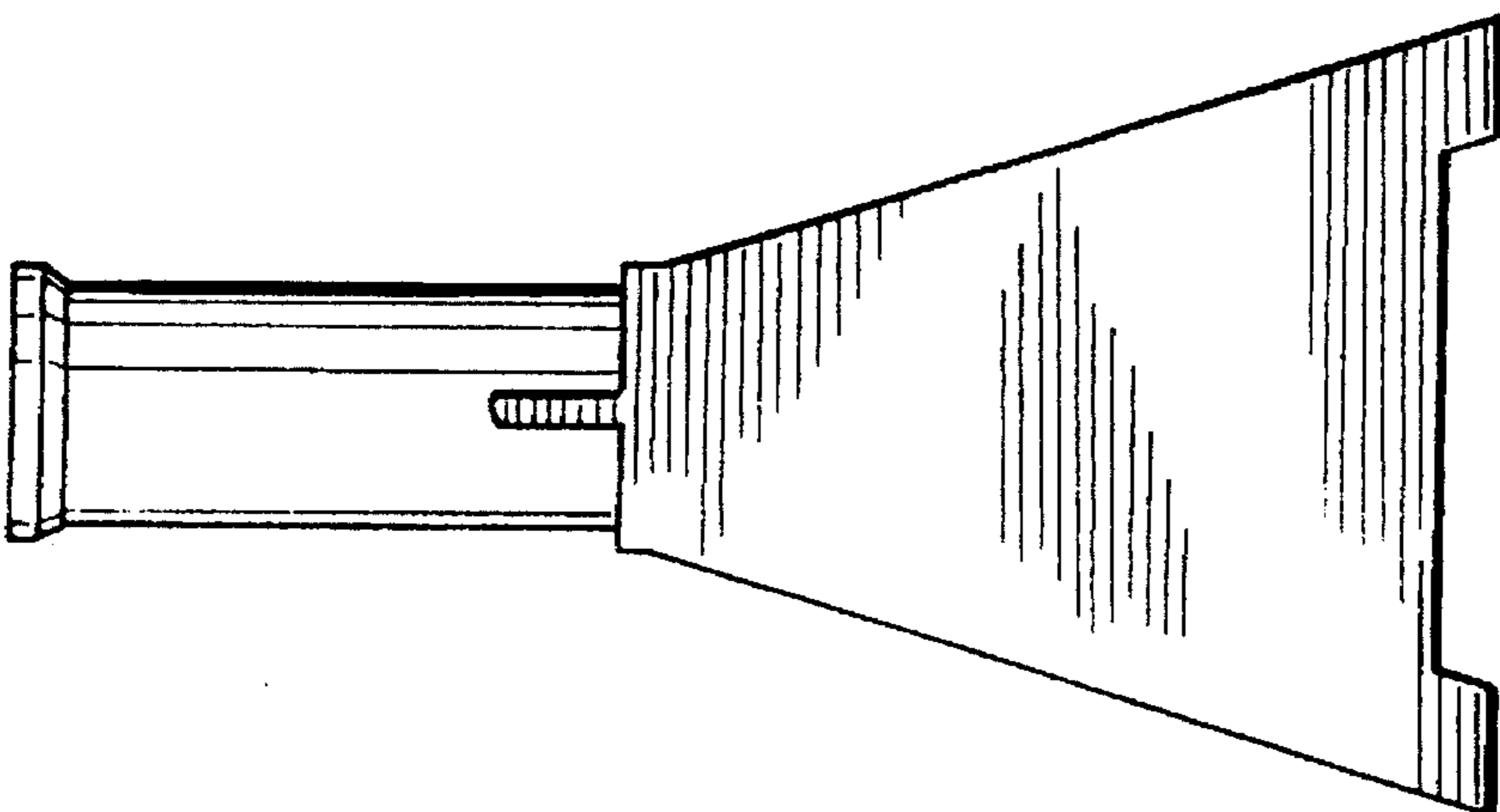


FIG. 7

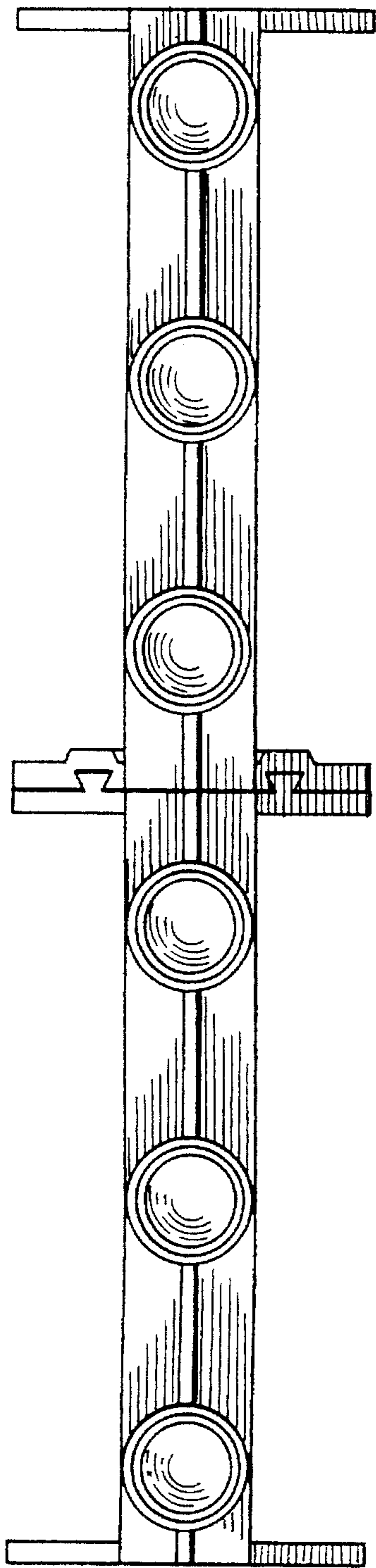


FIG. 9

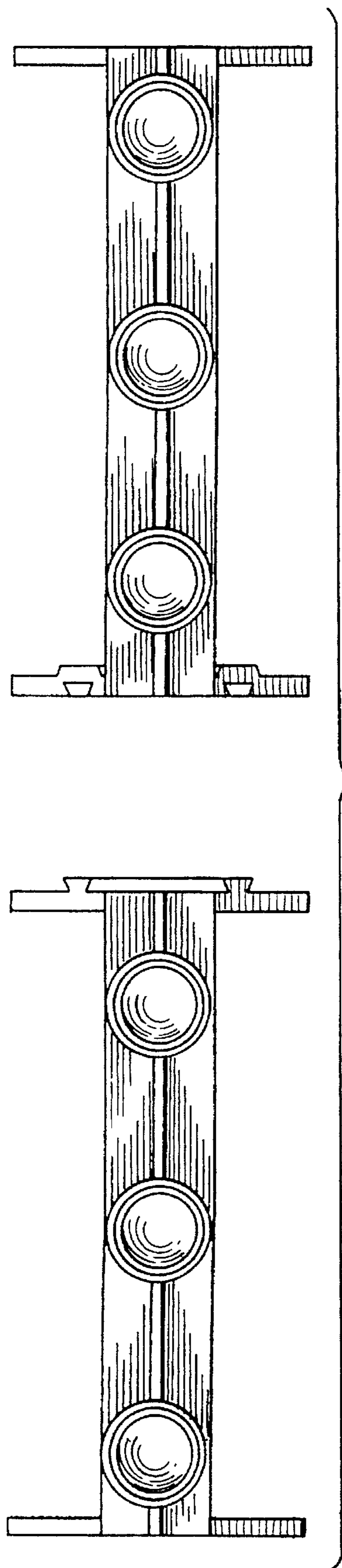


FIG. 10

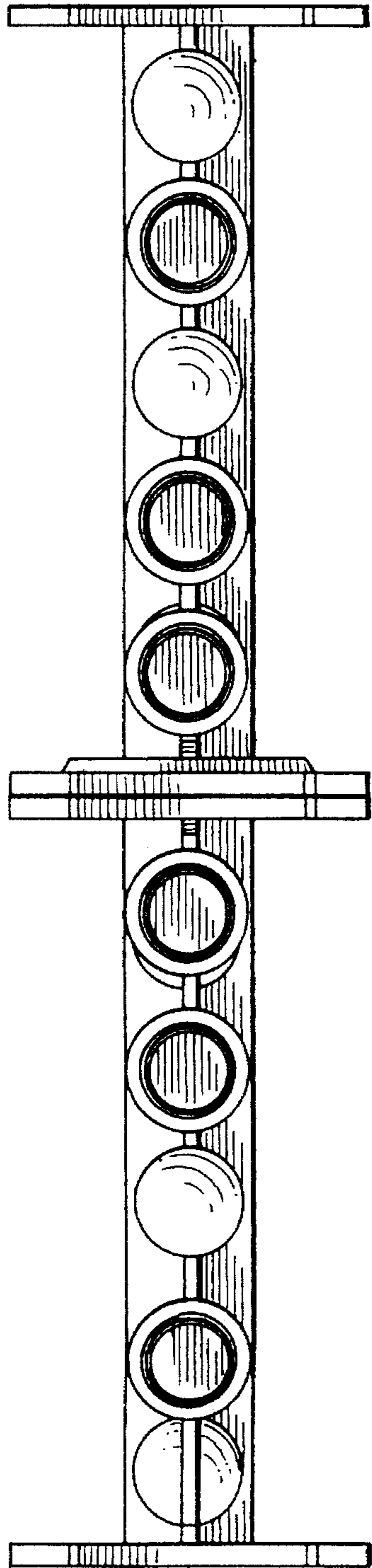


FIG. 11

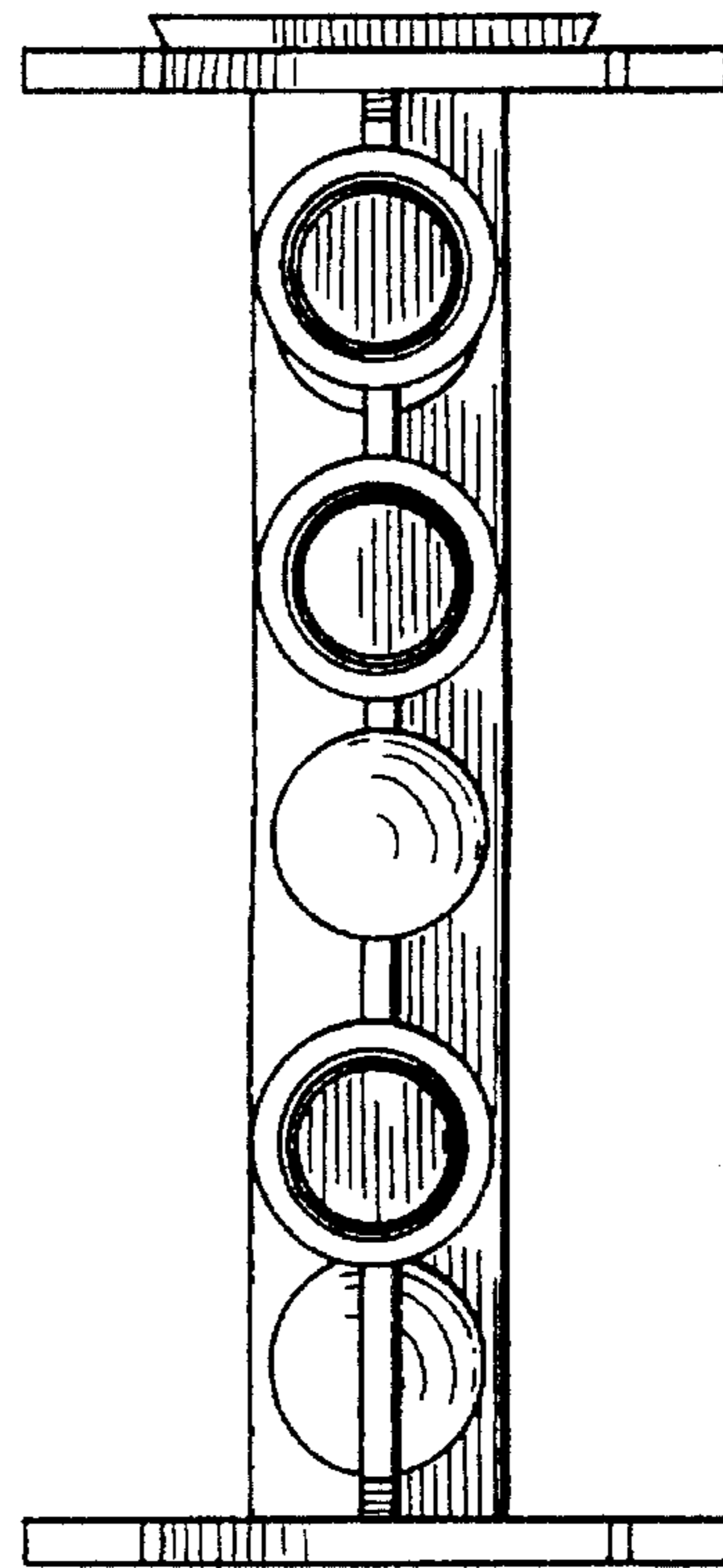
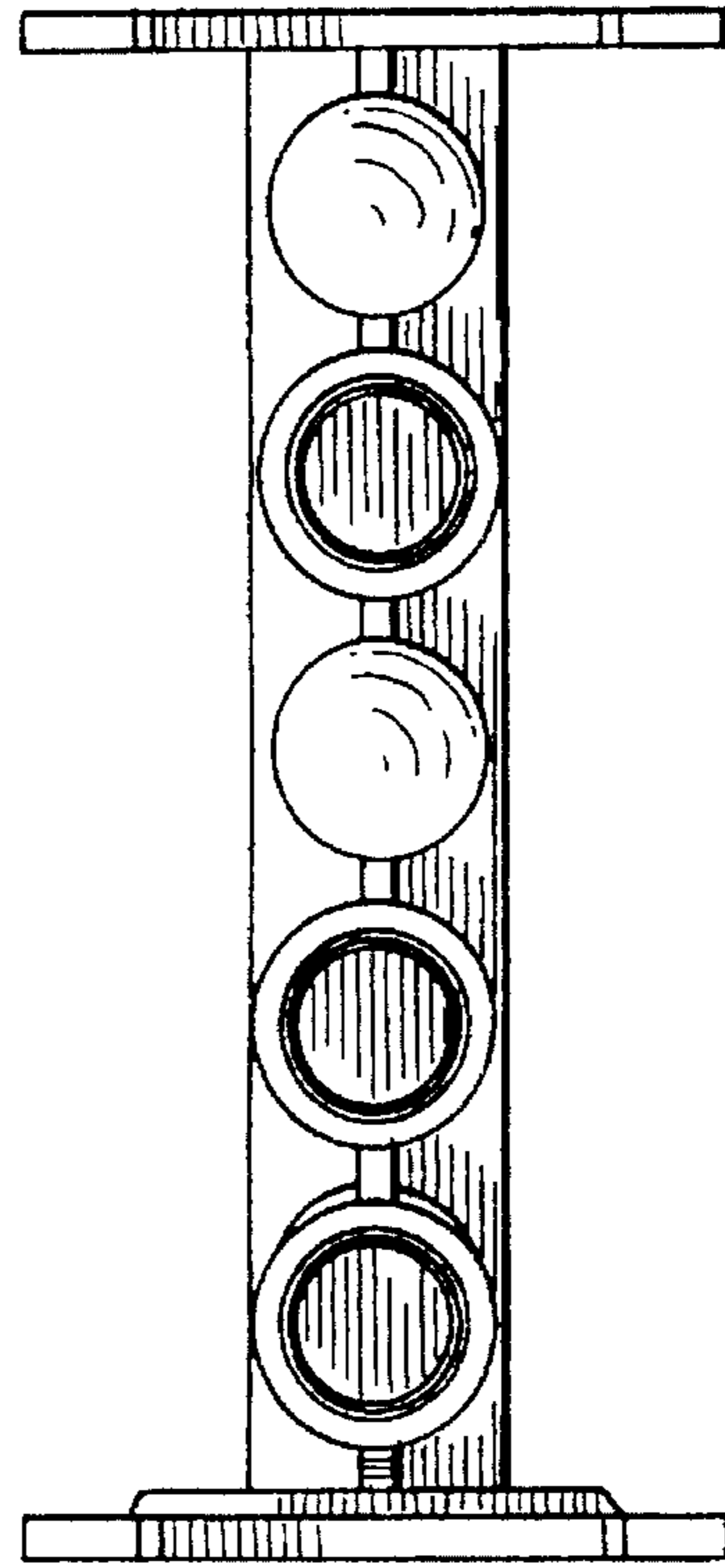


FIG. 12