



US00D367710S

# United States Patent [19]

[11] Patent Number: **Des. 367,710**

**Cumiskey**

[45] Date of Patent: **\*\*Mar. 5, 1996**

[54] SPA COVER

Attorney, Agent, or Firm—Leon E. Redman; Malcolm L. Sutherland

[75] Inventor: **Walter R. Cumiskey**, Vista, Calif.

### [57] CLAIM

[73] Assignee: **Watkins Manufacturing Corporation**, Vista, Calif.

The ornamental design for a spa cover, as shown and described.

[\*\*] Term: **14 Years**

### DESCRIPTION

[21] Appl. No.: **19,505**

FIG. 1 is a top front perspective of a spa cover showing my new design;

[22] Filed: **Mar. 3, 1994**

FIG. 2 is a top plan view thereof;

[52] U.S. Cl. .... **D24/205**; D24/201

FIG. 3 is a left side elevational view thereof, the right side being a mirror image of the left side;

[58] Field of Search ..... D24/201, 204, D24/205; 4/498, 496, 580, 497, 492, 541.1-541.6

FIG. 4 is a front elevational view thereof, the rear being a mirror image of the front;

### [56] References Cited

FIG. 5 is a sectional view taken along line 5—5 of FIG. 2; and,

#### U.S. PATENT DOCUMENTS

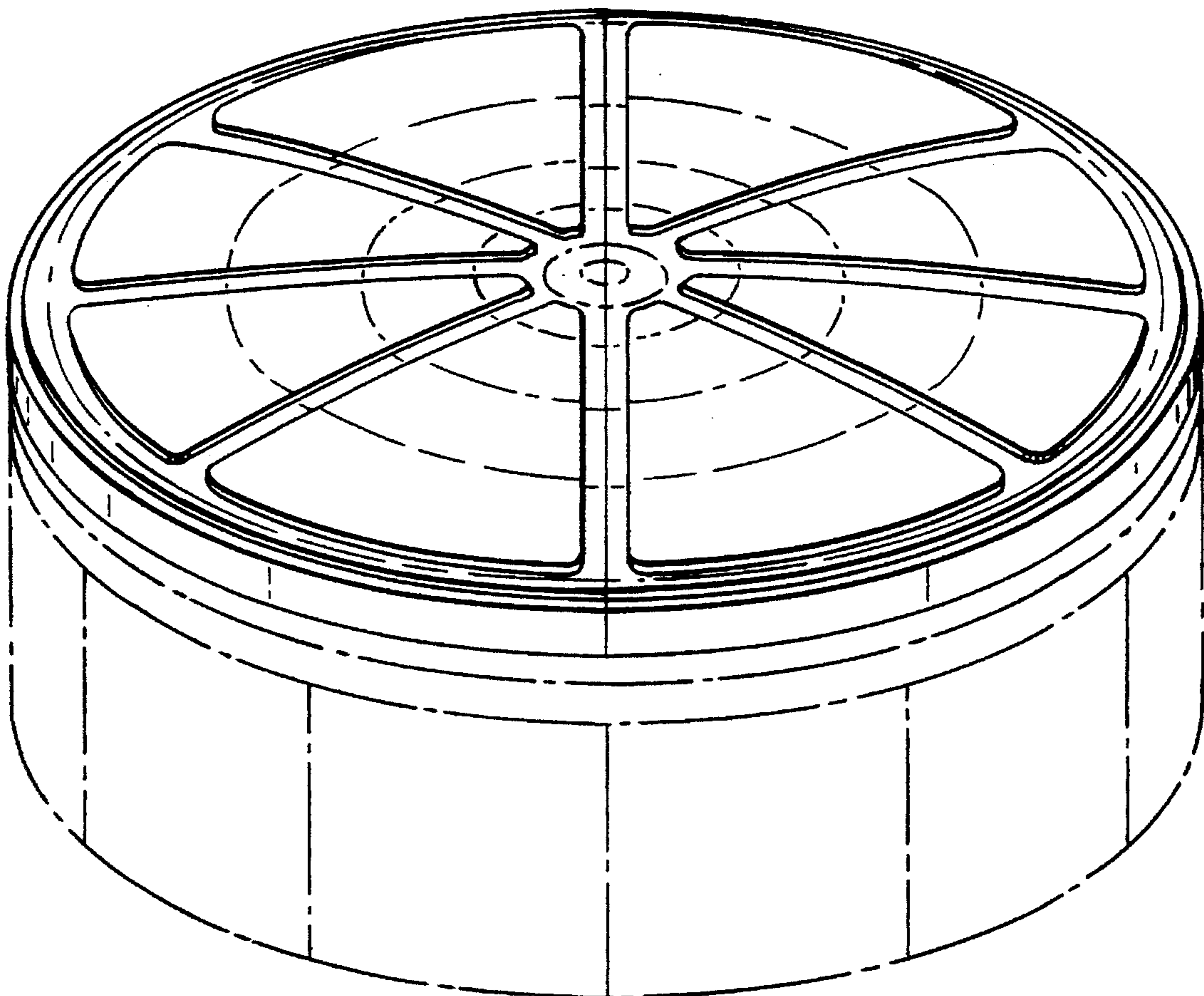
FIG. 6 is a sectional view taken along line 6—6 of FIG. 2. The bottom of the spa cover is plain and unornamented.

4,136,408	1/1979	Dahlbeck et al. ....	4/498
4,246,663	1/1981	Aragona et al. ....	4/498 X
4,270,232	6/1981	Ballew .....	4/498

The broken lines are for illustrative purposes only and form no part of the claimed invention.

Primary Examiner—Stella Reid

1 Claim, 3 Drawing Sheets



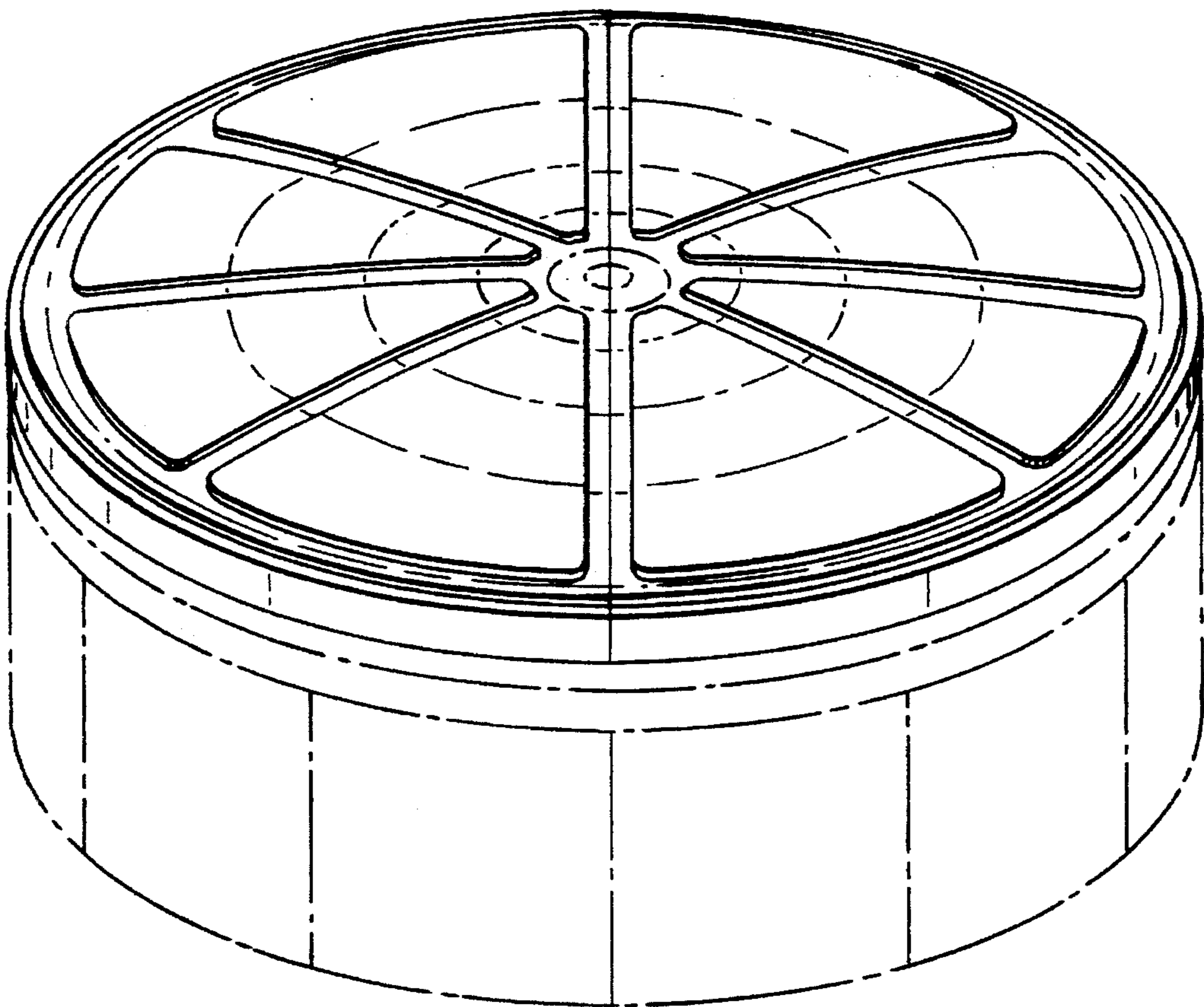


FIG. 1.

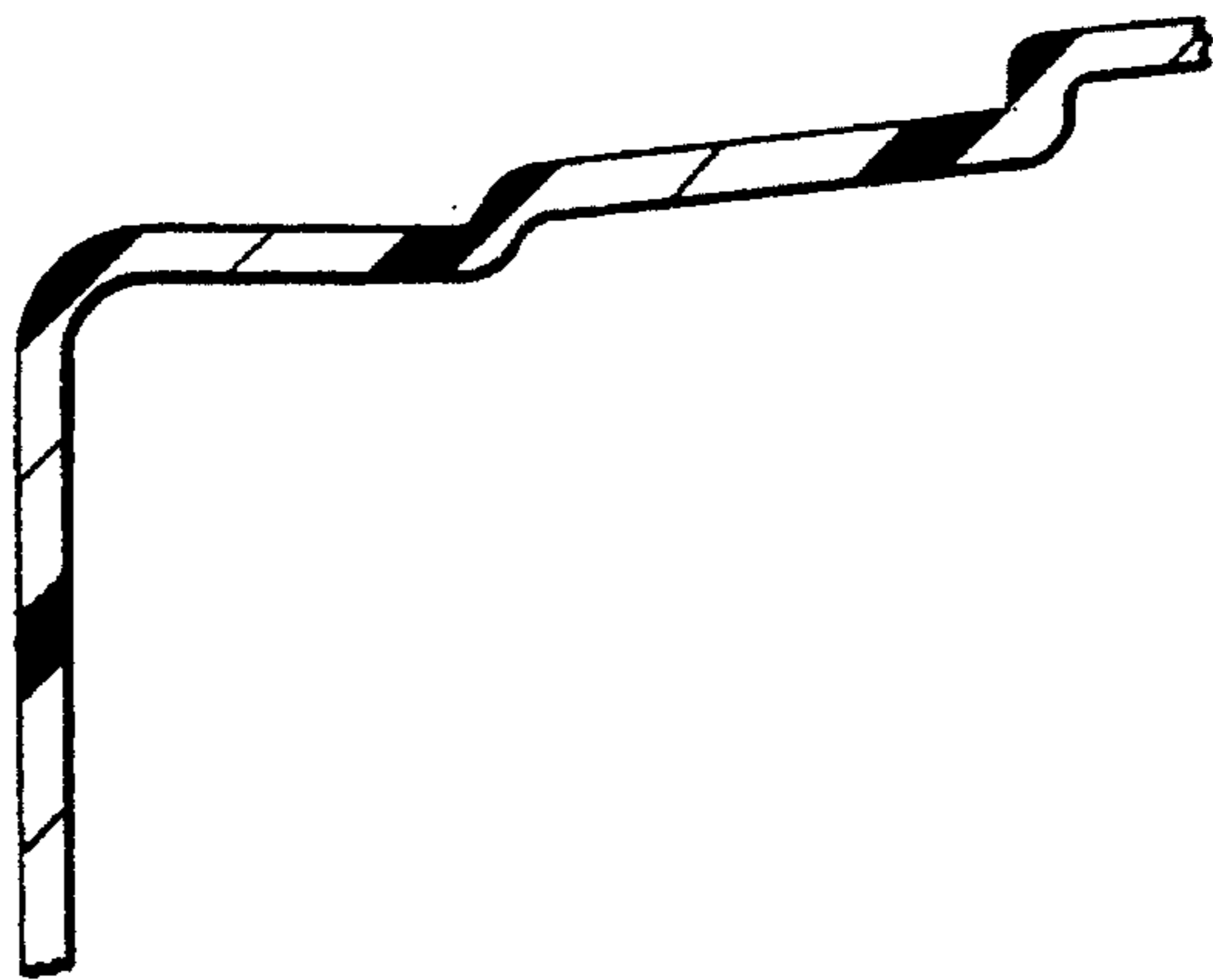


FIG. 2.

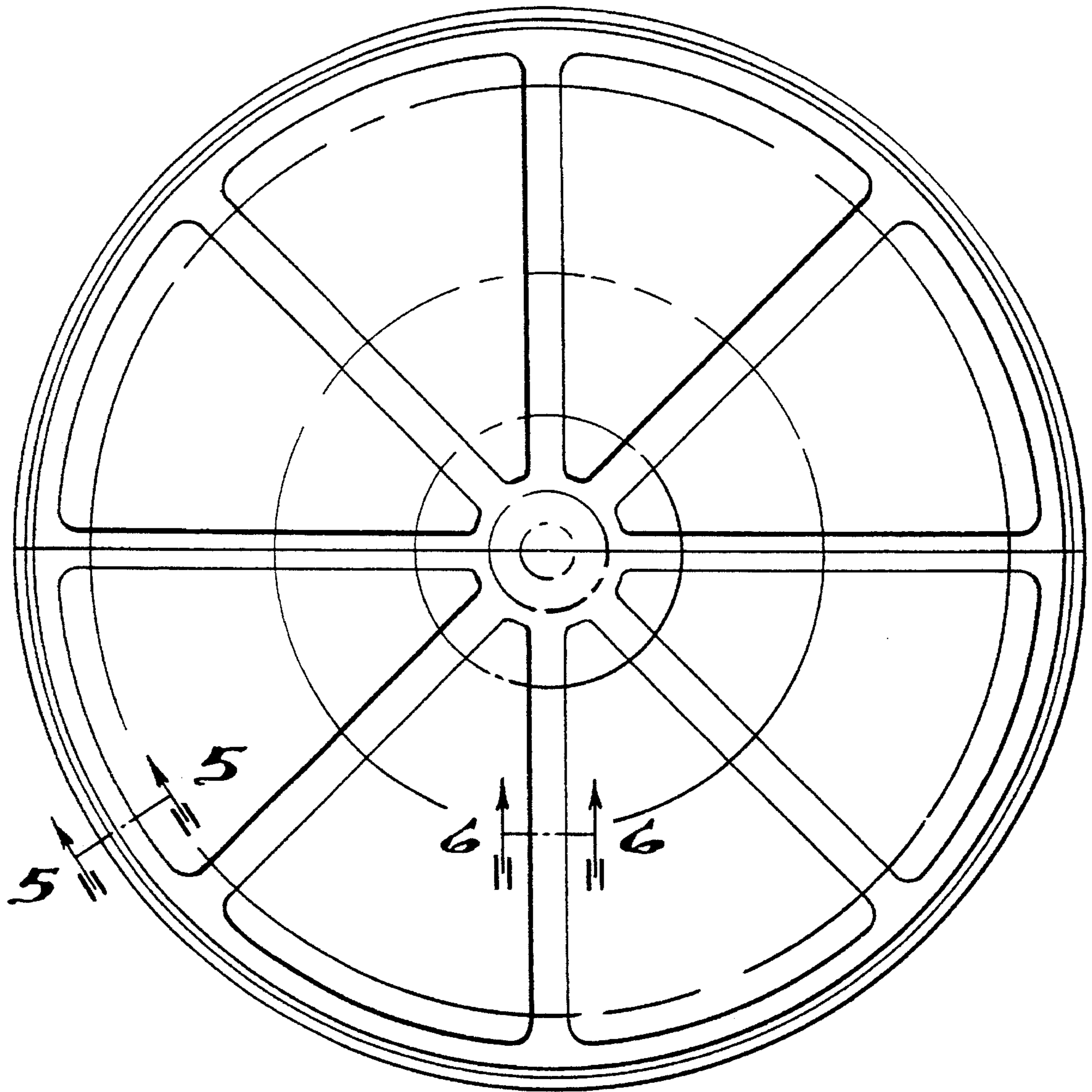


Fig. 2.



Fig. 3.

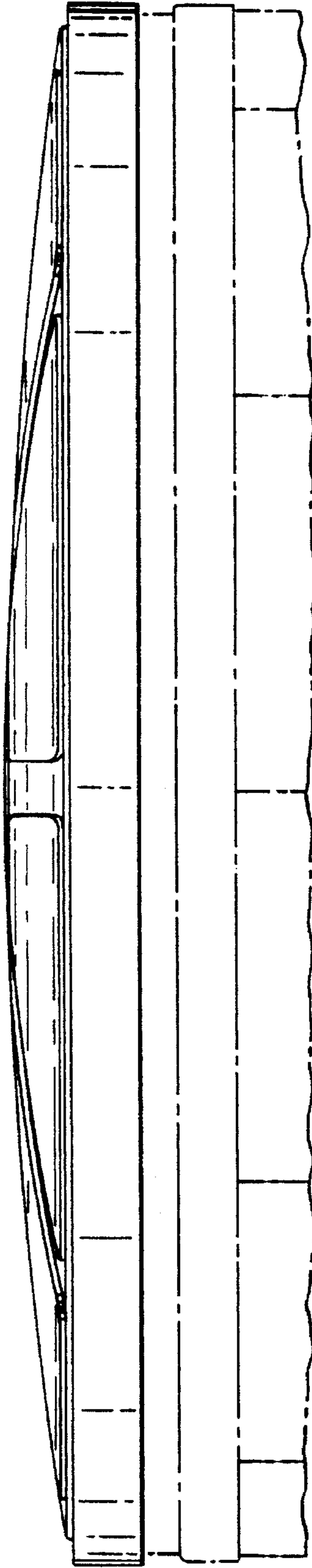


FIG. 2.

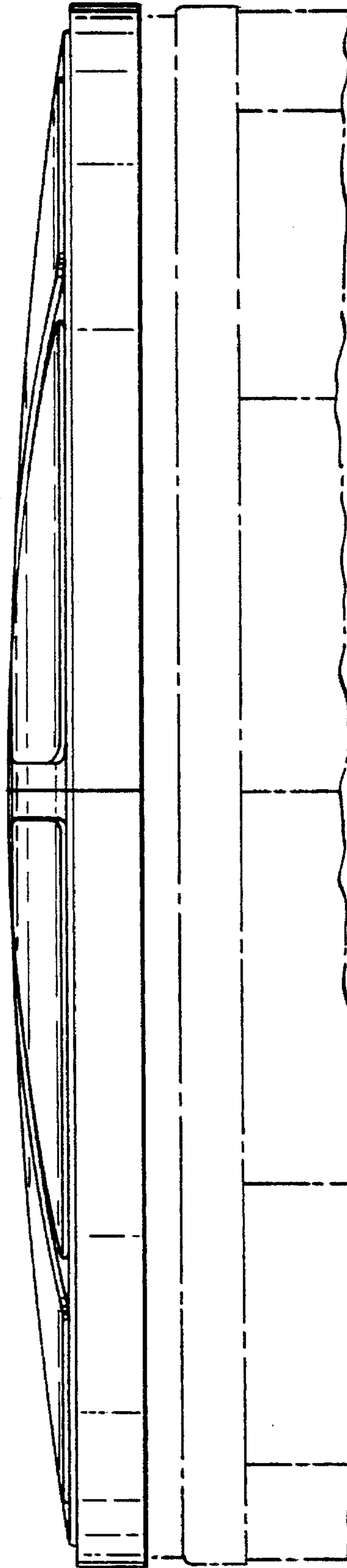


FIG. 4.