



US00D367708S

# United States Patent [19]

[11] Patent Number: **Des. 367,708**

Lawing et al.

[45] Date of Patent: **\*\*Mar. 5, 1996**

[54] SPA SHELL

Primary Examiner—Stella Reid

[75] Inventors: **Michael E. Lawing**, San Diego; **Walter R. Cumiskey**, Vista; **Jeffrey K. Watkins**, Rancho Santa Fe, all of Calif.

Attorney, Agent, or Firm—Leon E. Redman; Malcolm L. Sutherland

[73] Assignee: **Watkins Manufacturing Corporation**, Vista, Calif.

### [57] CLAIM

[\*\*] Term: **14 Years**

The ornamental design for a spa shell, as shown and described.

[21] Appl. No.: **19,456**

### DESCRIPTION

[22] Filed: **Mar. 3, 1994**

[52] U.S. Cl. .... **D24/204**

[58] Field of Search ..... D24/201, 204, D24/205; 4/538, 541.1–541.6, 492

FIG. 1 is a top front perspective view of a spa shell showing our new design, the broken lines are for illustrative purposes only and form no part of the claimed design;

FIG. 2 is a top plan view thereof;

FIG. 3 is a cross-sectional view taken along line 3—3 of FIG. 2;

FIG. 4 is a cross-sectional view taken along line 4—4 of FIG. 2; and,

FIG. 5 is a cross-sectional view taken along line 5—5 of FIG. 2.

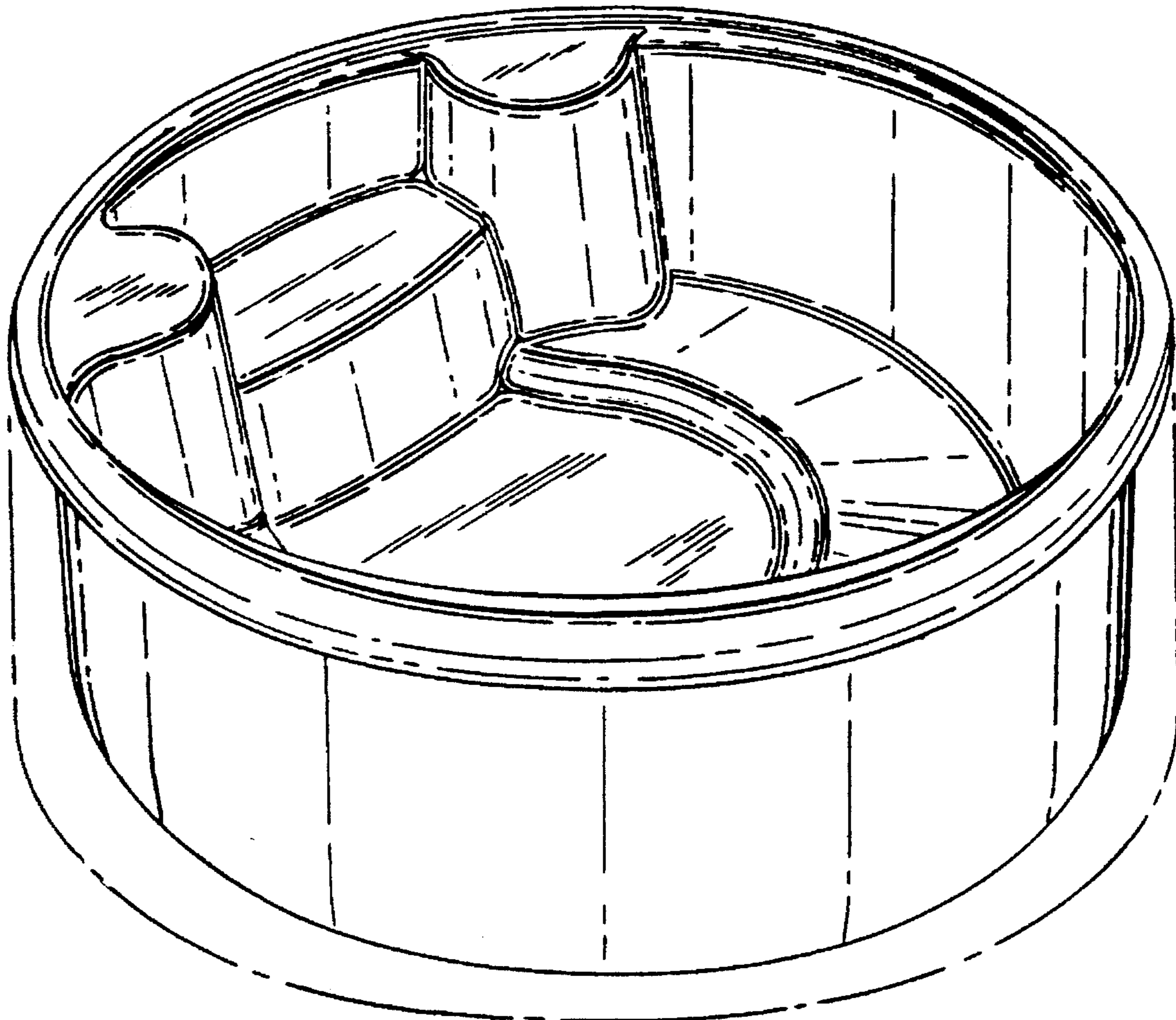
### [56] References Cited

#### U.S. PATENT DOCUMENTS

D. 252,042	6/1979	Jacuzzi et al. ....	D24/204
D. 264,505	5/1982	Reineman .....	D24/204
D. 267,043	11/1982	Kingsley et al. ....	D24/204
D. 269,814	7/1983	Fisher et al. ....	D24/204

The bottom of the spa shell is plain and unornamented.

**1 Claim, 2 Drawing Sheets**



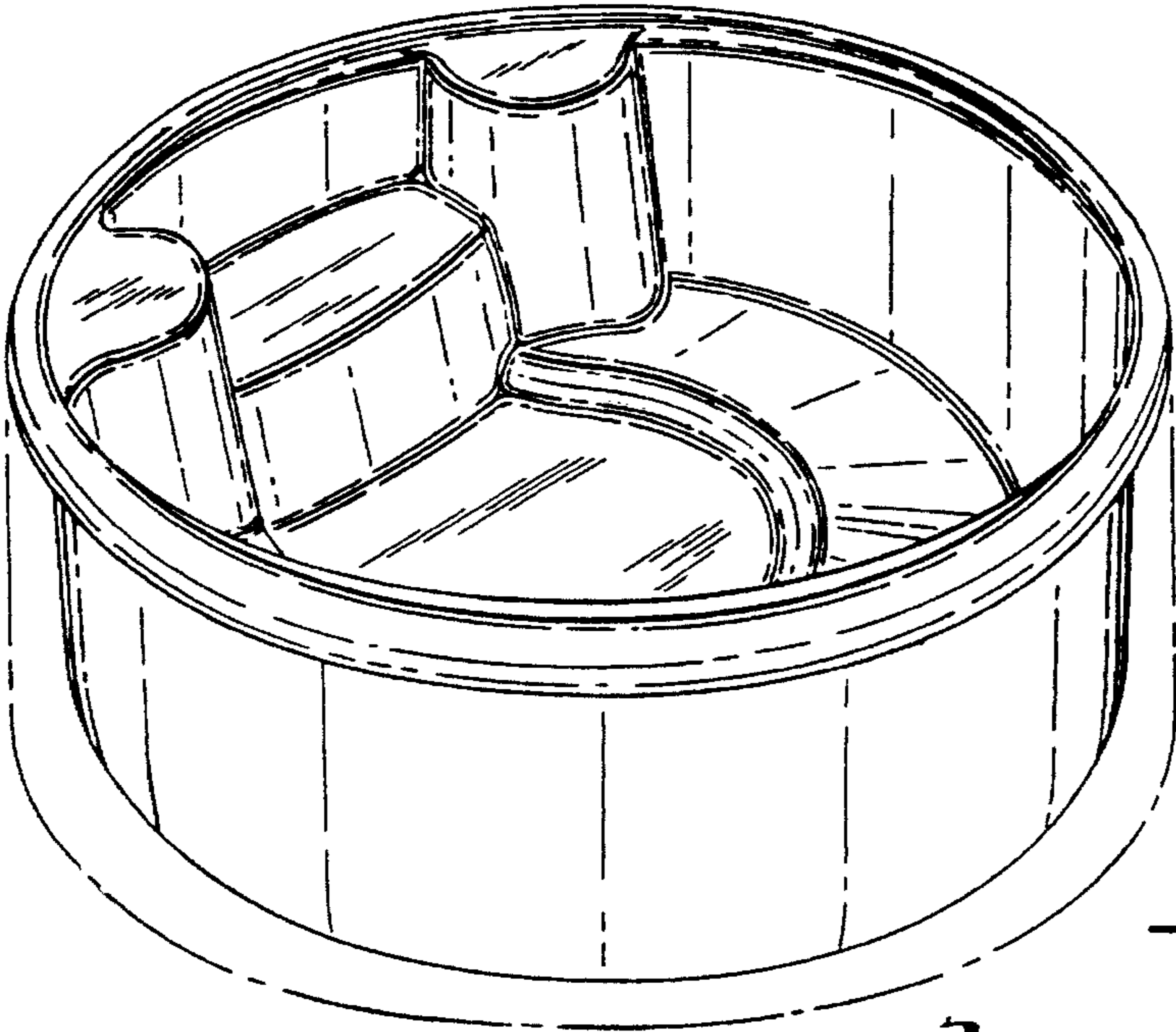


Fig. 1.

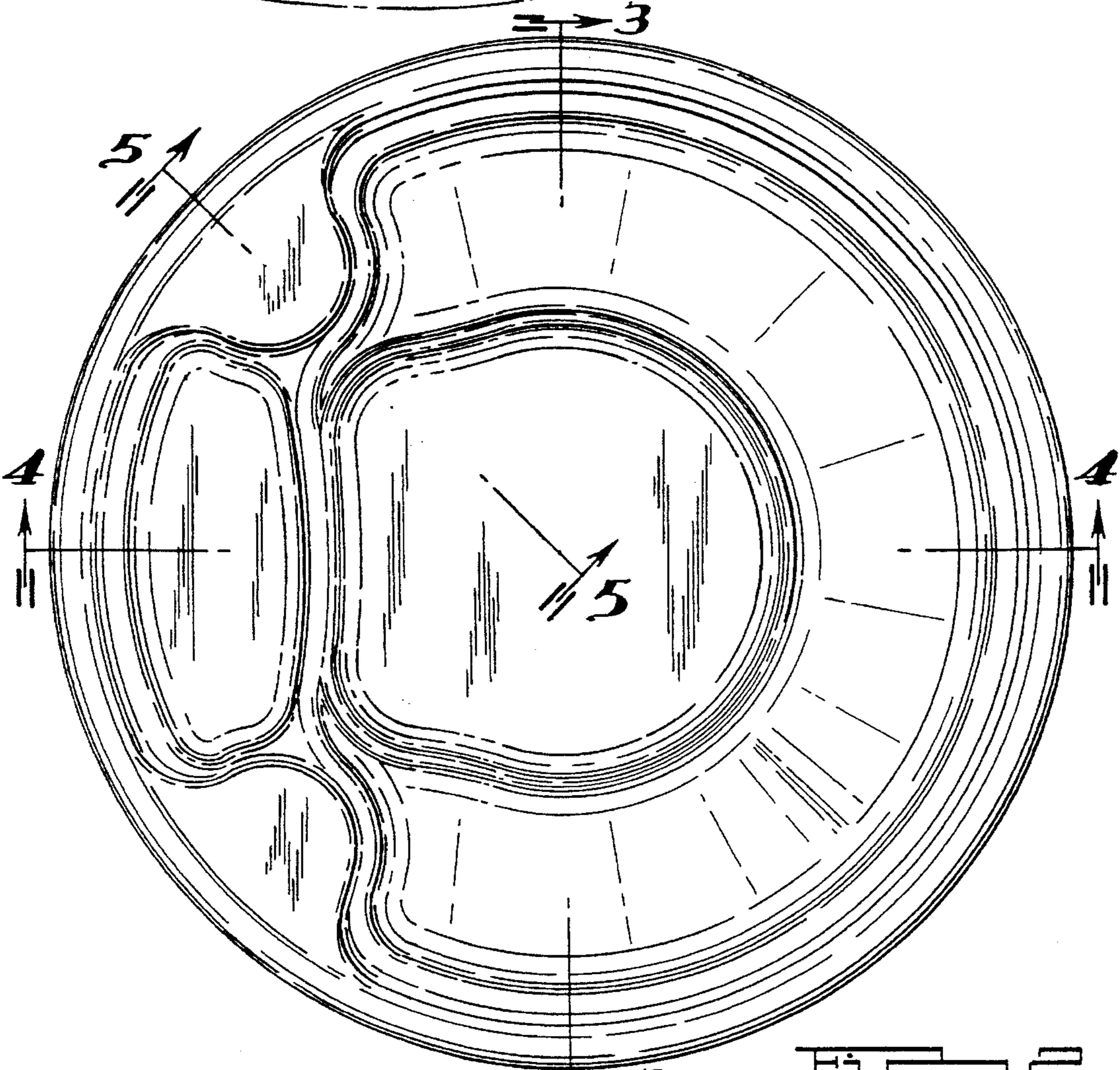


Fig. 2.

