



US00D367707S

# United States Patent [19]

[11] Patent Number: **Des. 367,707**

**Baker**

[45] Date of Patent: **\*\*Mar. 5, 1996**

[54] **TONGUE SCRAPER**

[75] Inventor: **Stephen K. Baker**, Fort Myers, Fla.

[73] Assignee: **Baker Contracting, Inc.**, Fort Myers, Fla.

[\*\*] Term: **14 Years**

[21] Appl. No.: **26,876**

[22] Filed: **Aug. 8, 1994**

[52] U.S. Cl. .... **D24/147**; D4/104; D24/146; D32/41; D32/49

[58] Field of Search ..... D24/133, 147; 30/171; 128/737; 606/161; D4/104; D32/41, 49

[56] **References Cited**

**U.S. PATENT DOCUMENTS**

D. 244,345	5/1977	Poverumo	.....	D32/49
D. 285,250	8/1986	Audette	.....	D24/147
D. 285,251	8/1986	Audette	.....	D24/147
D. 285,252	8/1986	Audette	.....	D24/147
D. 285,341	8/1986	Audette	.....	D24/147
D. 285,342	8/1986	Audette	.....	D24/147
D. 305,385	1/1990	Schneider	.....	D4/104

D. 315,059	3/1991	Schneider	.....	D4/104
D. 324,912	3/1992	Hansen	.....	D24/146
D. 344,414	2/1994	Rahman	.....	D4/104
5,282,814	2/1994	Srivastava	.....	606/161

**FOREIGN PATENT DOCUMENTS**

659404	6/1929	France	.....	606/161
--------	--------	--------	-------	---------

*Primary Examiner*—Louis S. Zarfaz  
*Assistant Examiner*—I. Simmons  
*Attorney, Agent, or Firm*—William E. Noonan

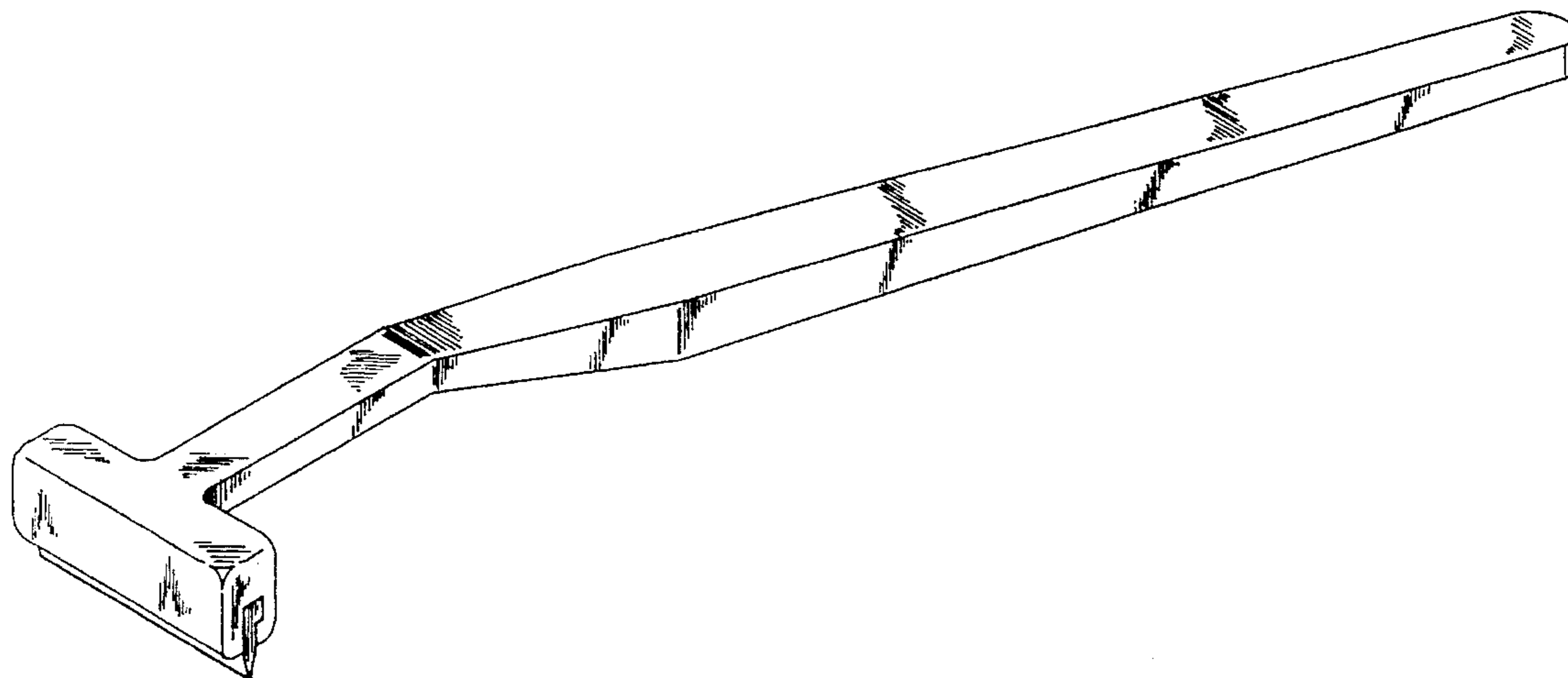
[57] **CLAIM**

The ornamental design for a tongue scraper, as shown.

**DESCRIPTION**

FIG. 1 is a top plan view of the tongue scraper of this invention;  
FIG. 2 is a bottom plan view thereof;  
FIG. 3 is a front elevational view thereof;  
FIG. 4 is a rear elevational view thereof;  
FIG. 5 is a right side elevational view thereof;  
FIG. 6 is a left side elevational view thereof; and,  
FIG. 7 is a perspective view thereof.

**1 Claim, 4 Drawing Sheets**



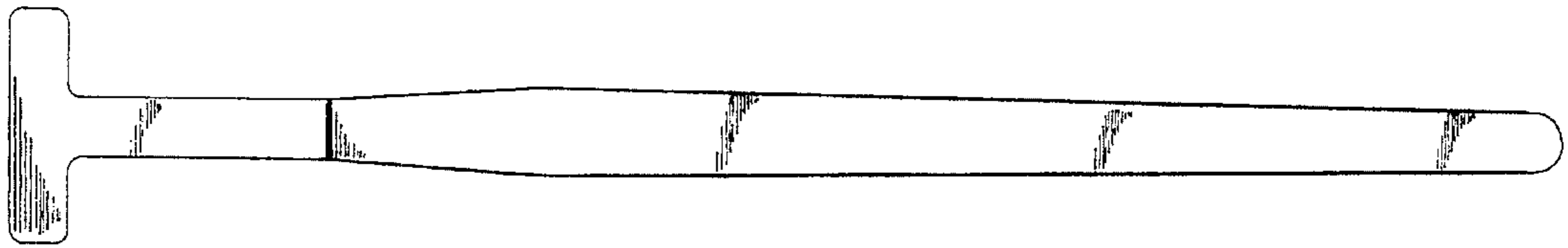


FIG. 1

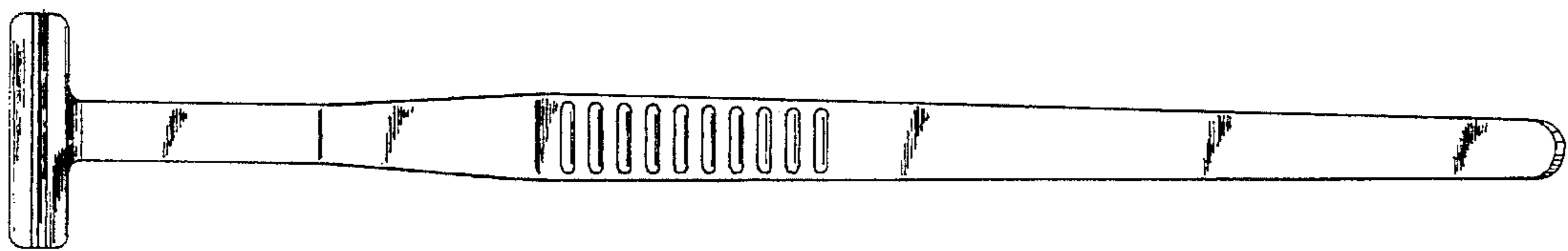


FIG. 2

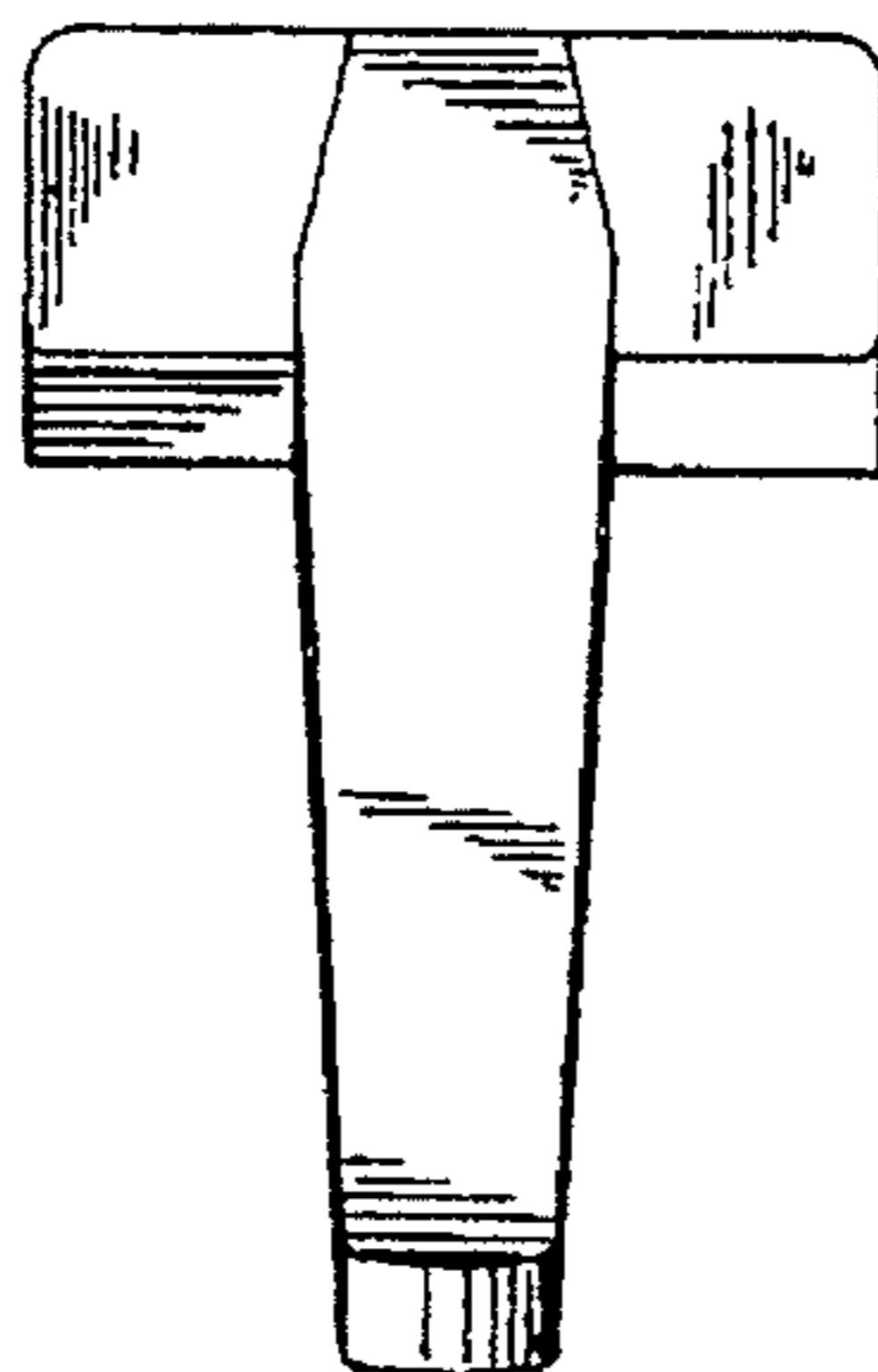


FIG. 3

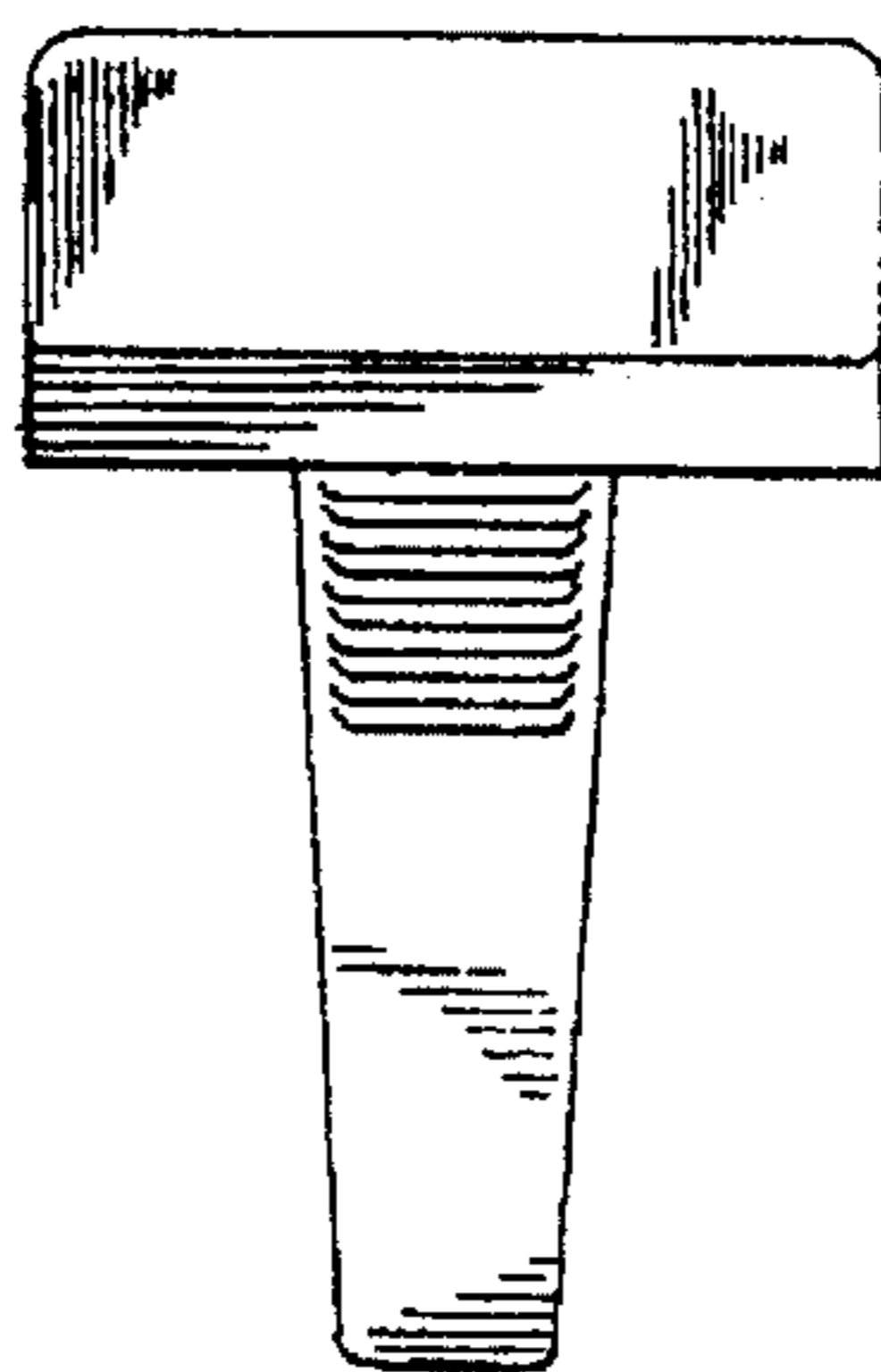


FIG. 4

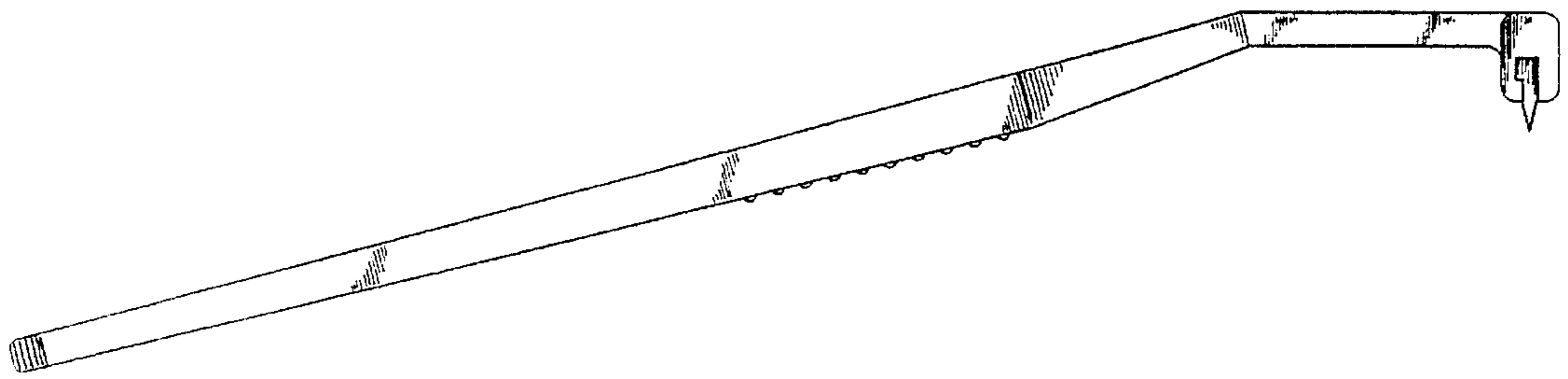


FIG. 5

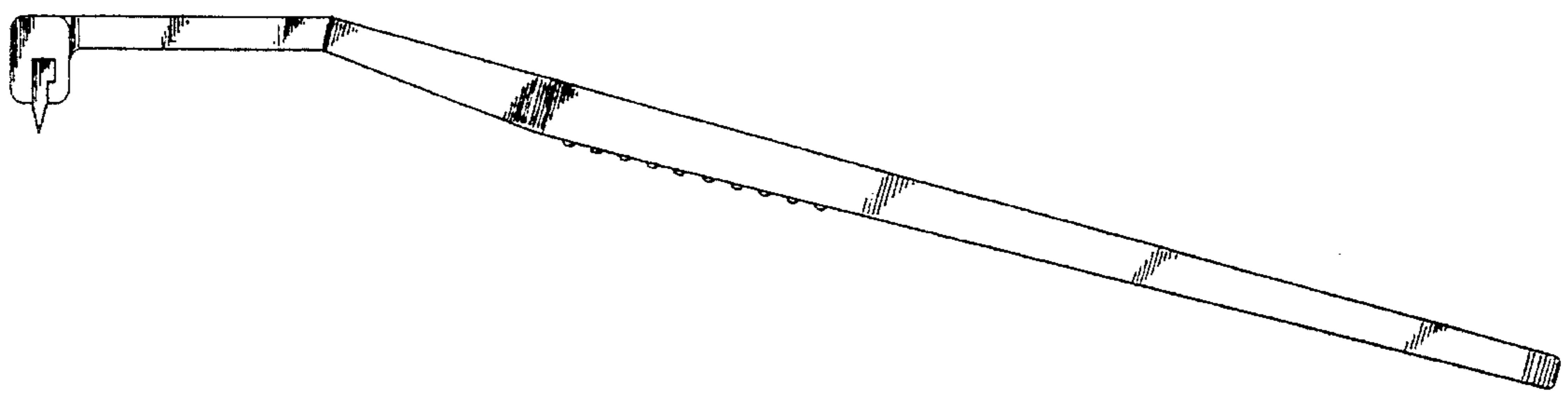


FIG. 6

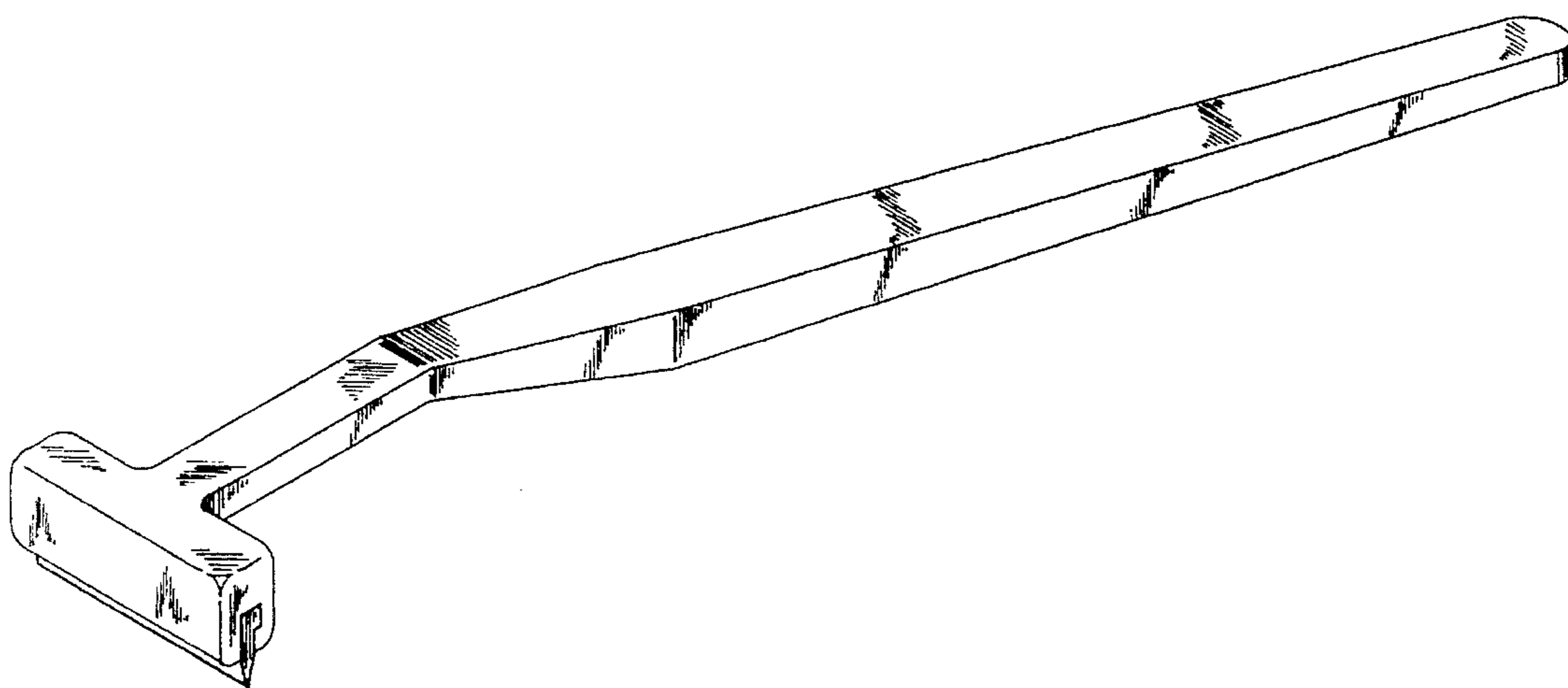


FIG. 7