



US00D367706S

United States Patent [19]

Stalcup et al.

[11] Patent Number: **Des. 367,706**

[45] Date of Patent: ****Mar. 5, 1996**

[54] **ALIGNMENT GUIDE FOR AN ORTHOPAEDIC BONE CUTTING GUIDE**

[75] Inventors: **Gregory C. Stalcup**, Columbia City; **Rodney Bays**, Pierceton, both of Ind.

[73] Assignee: **Zimmer, Inc.**, Warsaw, Ind.

[**] Term: **14 Years**

[21] Appl. No.: **22,635**

[22] Filed: **May 9, 1994**

[52] U.S. Cl. **D24/140**

[58] Field of Search **D24/140; D10/64; 606/79, 87, 89, 88**

[56] **References Cited**

U.S. PATENT DOCUMENTS

D. 346,979	5/1994	Stalcup et al.	D24/140
4,179,810	12/1979	Kirsch	606/87
4,703,751	11/1987	Pohl	D24/140 X
4,721,104	1/1988	Kaufman et al.	606/88

5,109,401	12/1992	Lester et al.	606/79
5,176,684	1/1993	Ferrante et al.	606/87 X
5,250,050	10/1993	Poggic et al.	606/79
5,263,493	11/1993	Caspari et al.	606/79 X

Primary Examiner—Louis S. Zarfes
Assistant Examiner—I. Simmons
Attorney, Agent, or Firm—Todd A. Dawson

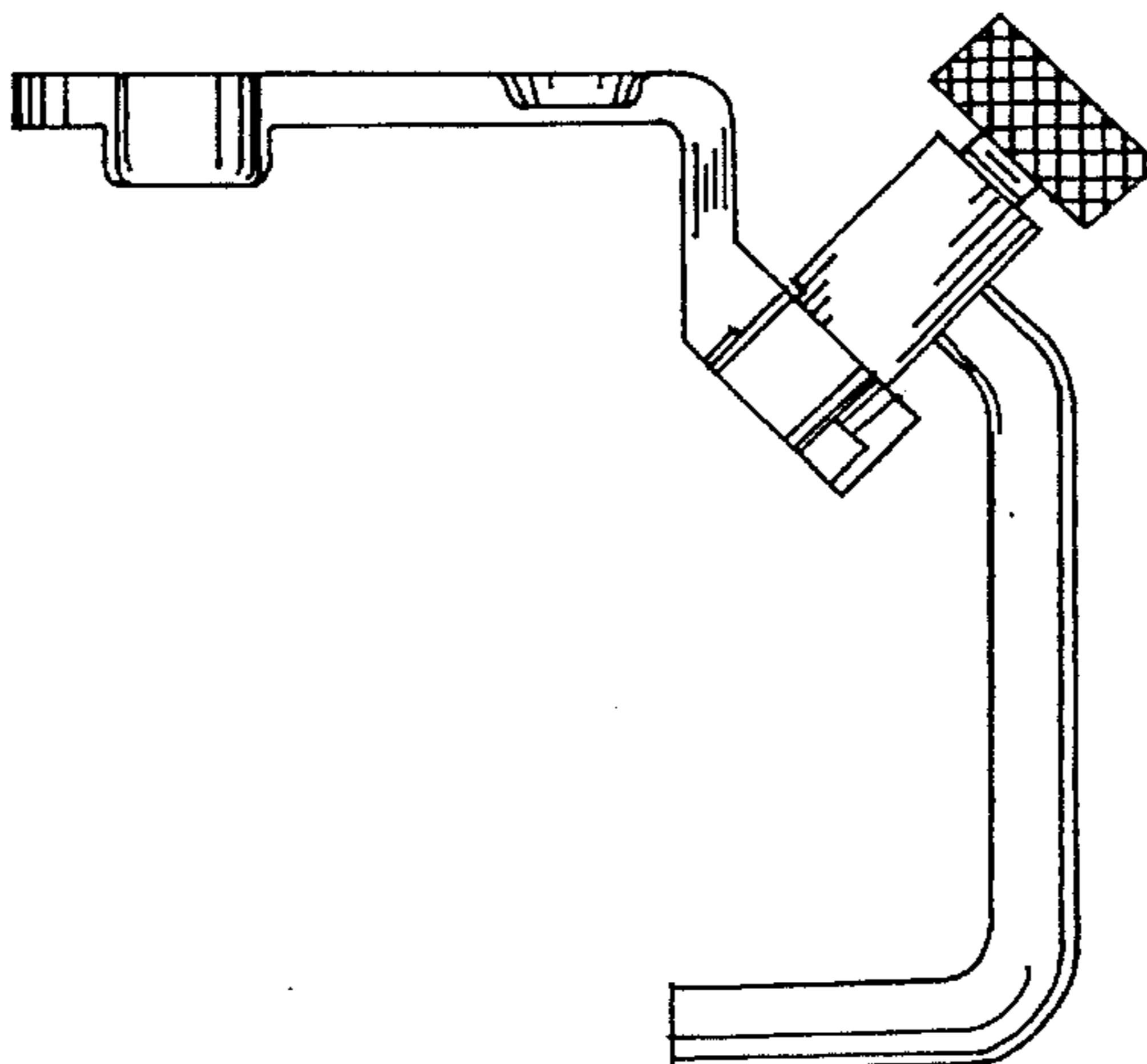
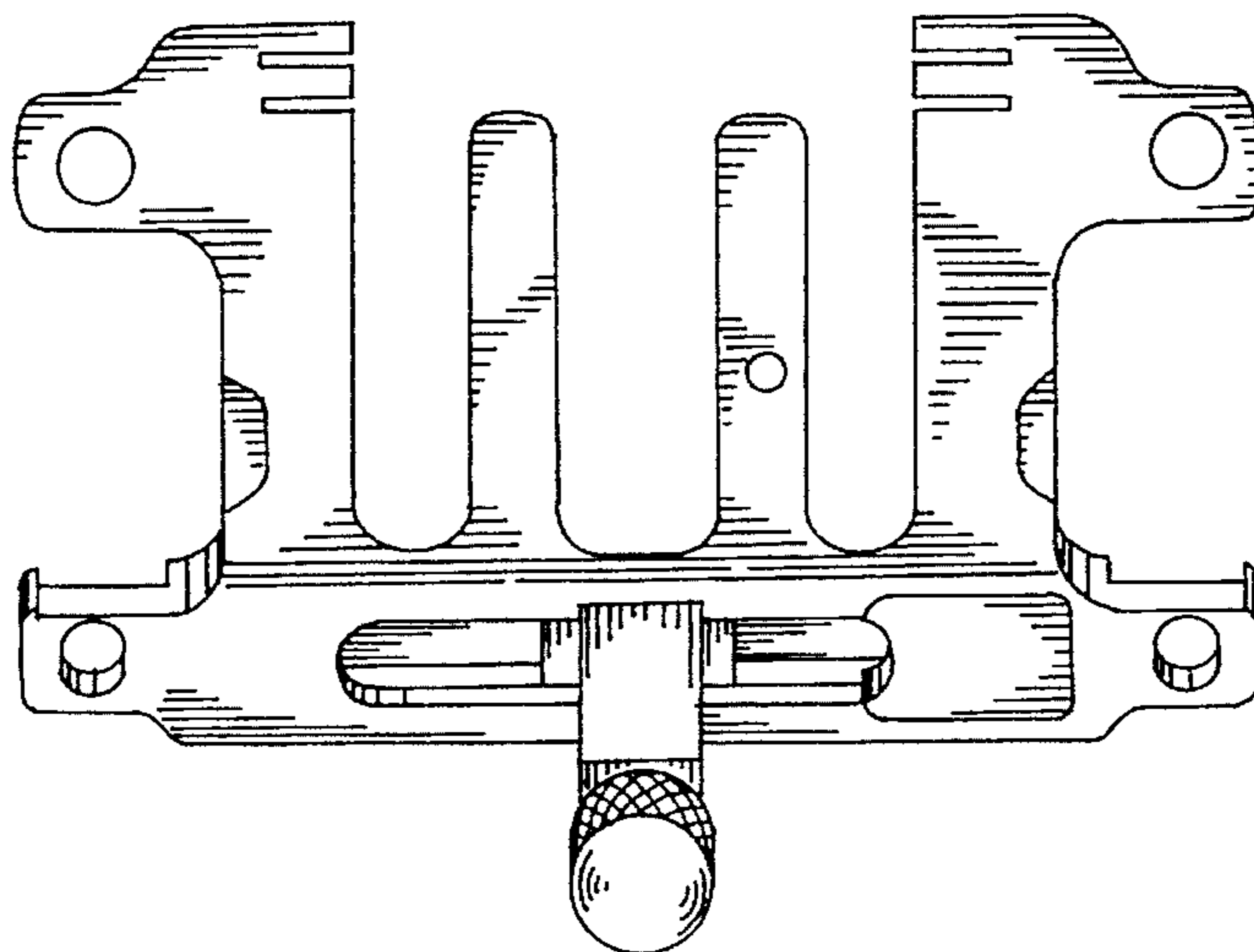
[57] **CLAIM**

The ornamental design for an alignment guide for an orthopaedic bone cutting guide, as shown and described.

DESCRIPTION

FIG. 1 is a front elevational view of an alignment guide for an orthopaedic bone cutting guide showing our new design; FIG. 2 is a rear elevational view thereof; FIG. 3 is a top elevational view thereof; FIG. 4 is a left side elevational view thereof; FIG. 5 is a right side elevational view thereof; and, FIG. 6 is a bottom side elevational view thereof.

1 Claim, 3 Drawing Sheets



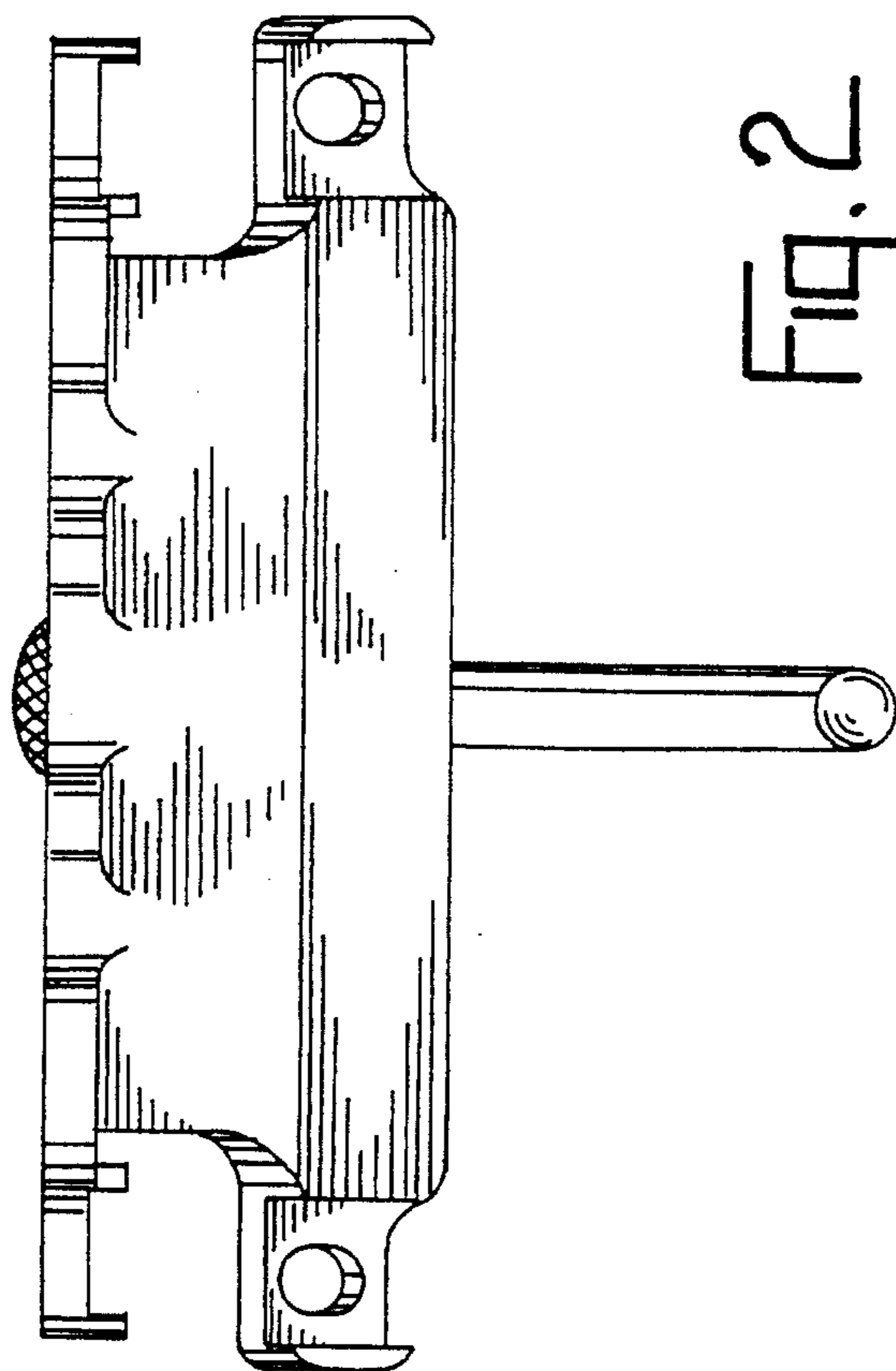


FIG. 2

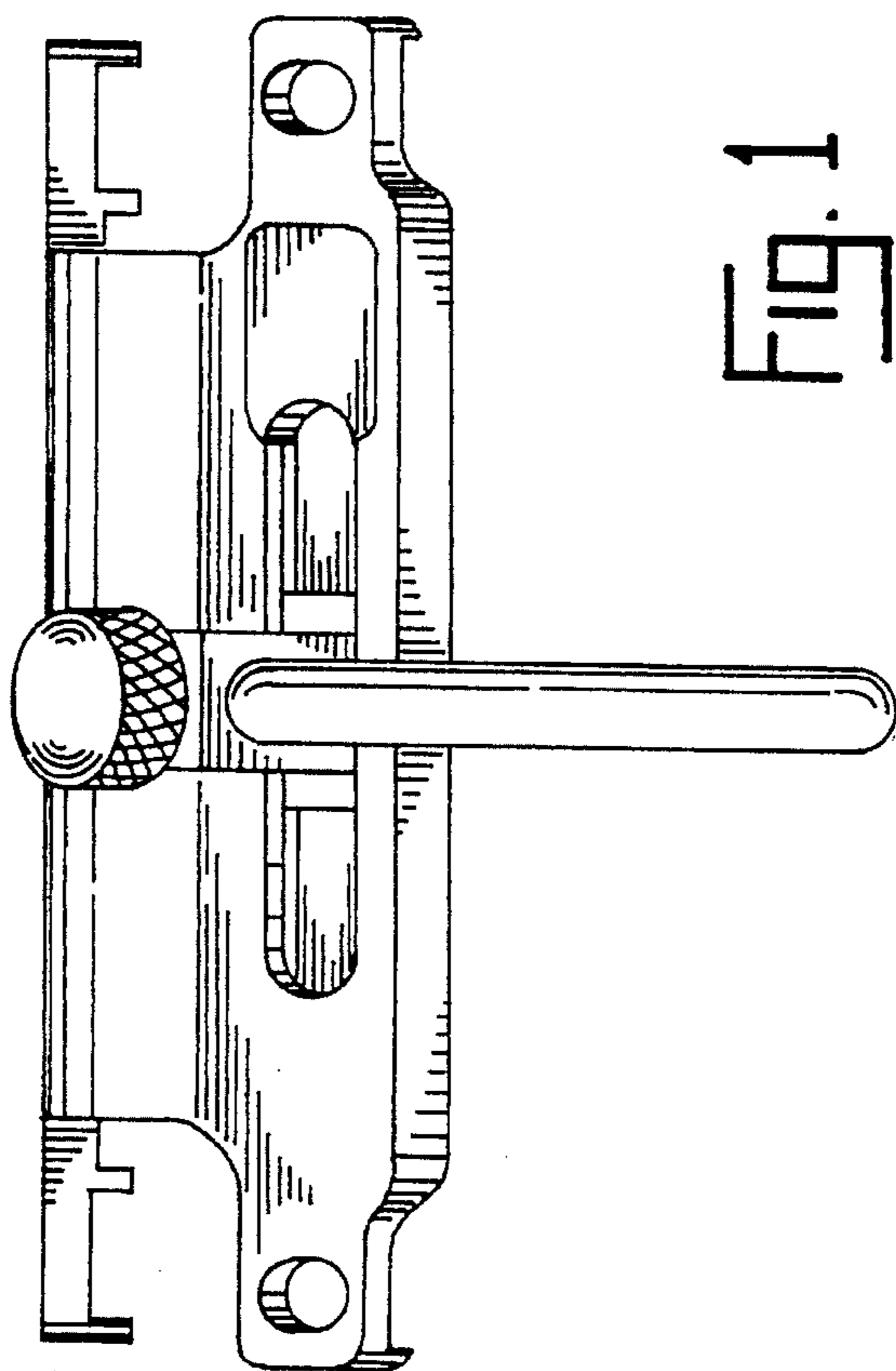


FIG. 1

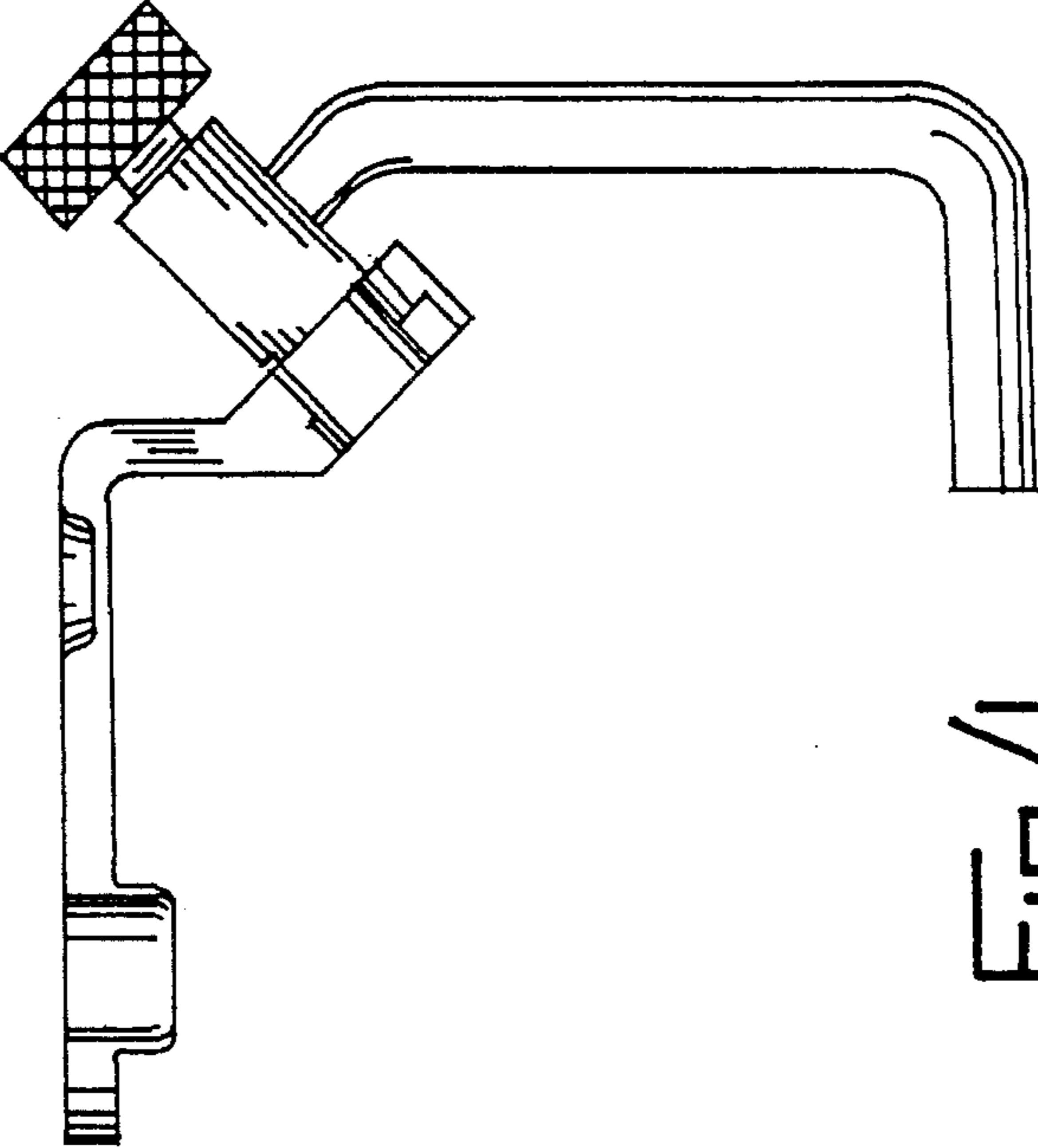


FIG. 4

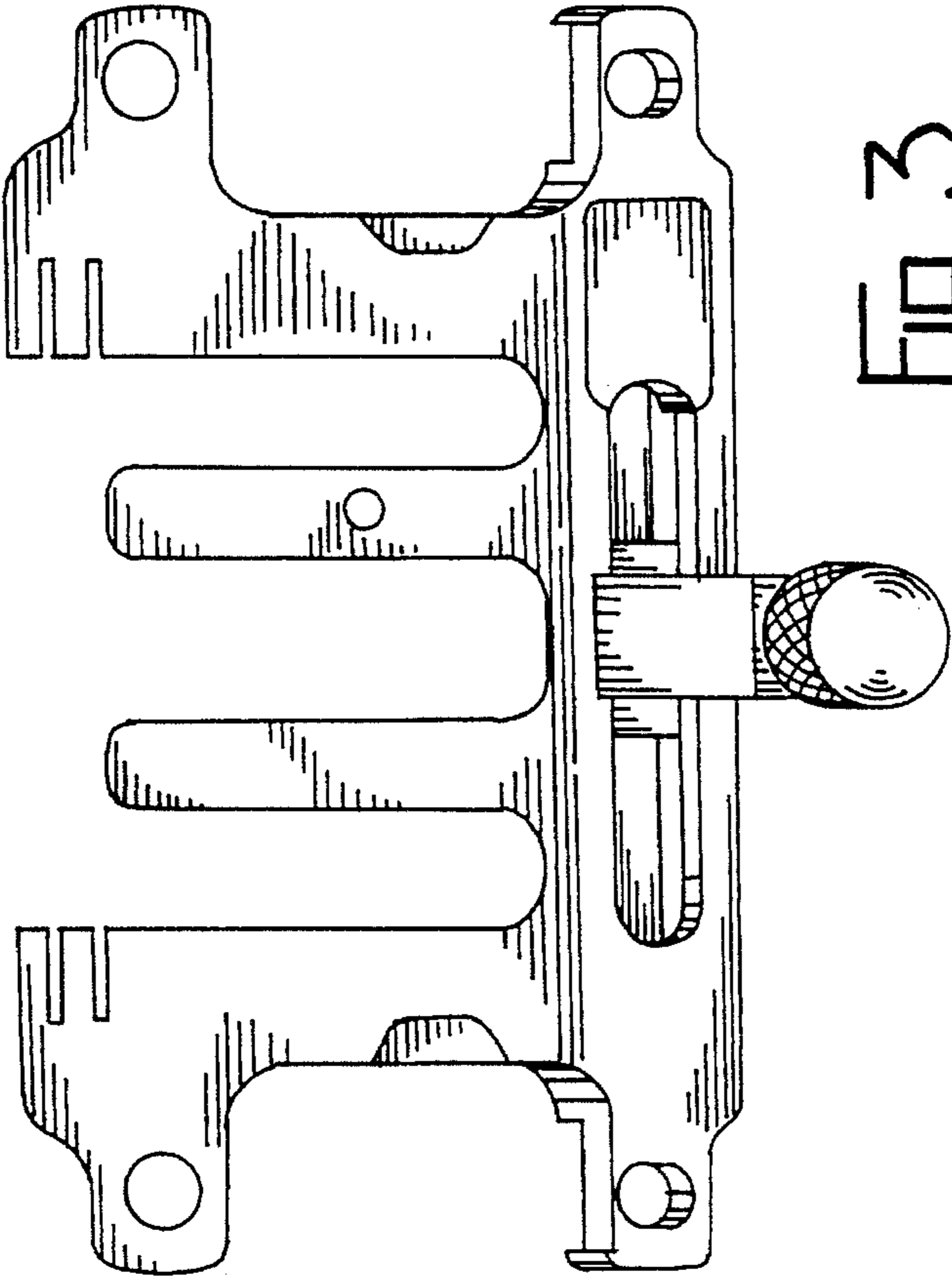


FIG. 3

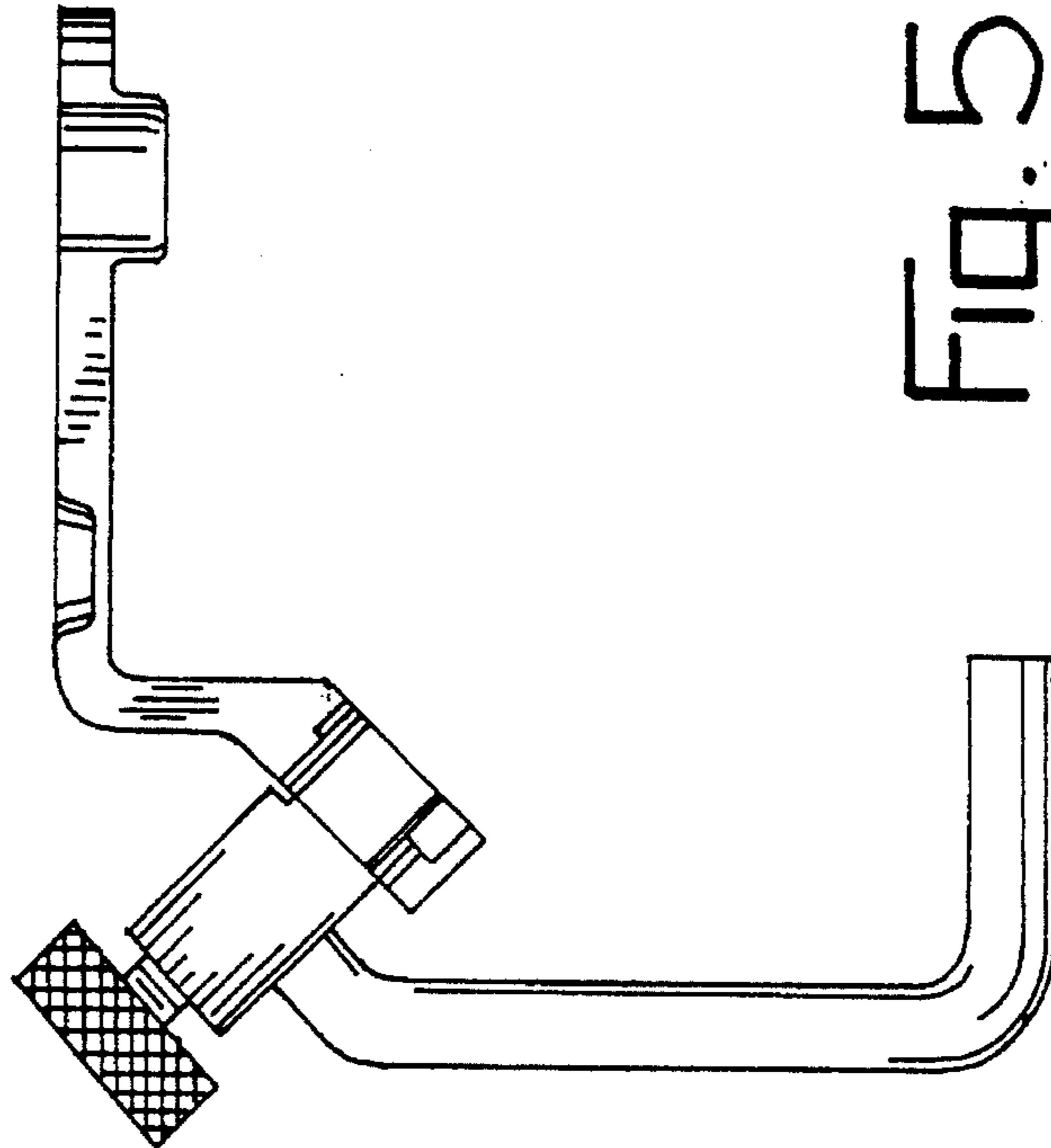


FIG. 5

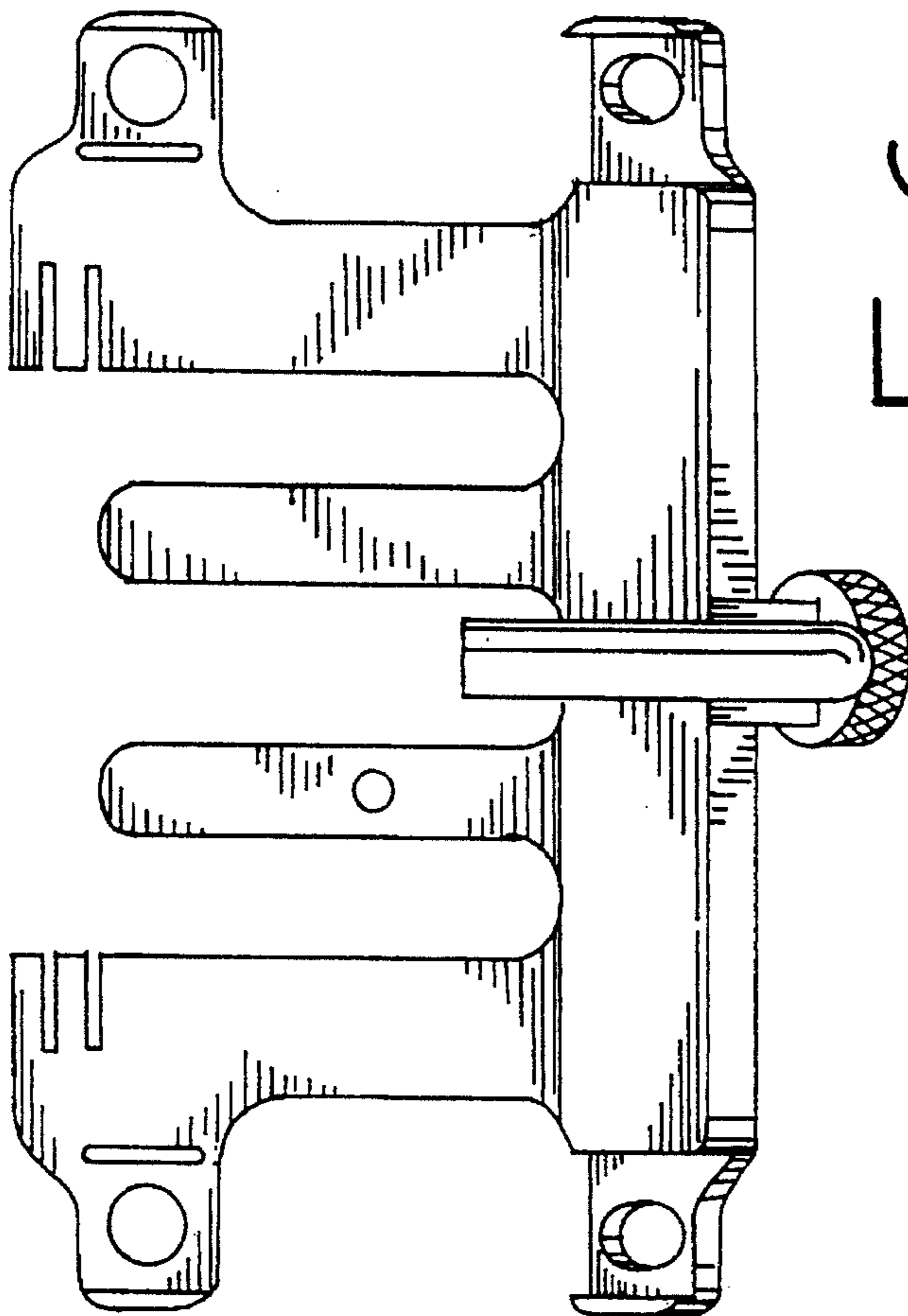


FIG. 6