



US00D367704S

United States Patent [19] Cotter

[11] Patent Number: **Des. 367,704**

[45] Date of Patent: ****Mar. 5, 1996**

- [54] **COMBINED BLOOD RECEIVING CONTAINER AND REINFUSION BAGS**
- [76] Inventor: **Robert F. Cotter**, 80 Seabury Point Rd., Duxbury, Mass. 02332
- [**] Term: **14 Years**
- [21] Appl. No.: **23,762**
- [22] Filed: **May 19, 1994**
- [52] U.S. Cl. **D24/111; D24/108; D24/118; D24/121; D24/109**
- [58] **Field of Search** **D24/108, 118, D24/121, 164, 167, 169; 604/408, 403, 405, 317, 40, 319, 360**

Gish Cap-35 Cardiotomy/Autotransfusion/Pleuraldrainage; 8 pages.
 Orth-evac™; Deknatel; 13 pages. ©1991.
 Davol; Post-Op™ Autotransfusion System; Bard; 12 pages. ©1990.
 Autovac® Autotransfusion System; Autologous Postoperative Autotransfusion For Orhtopedics; 14 pages ©1989.
 Smith & Nephew Richards; Every Drop Counts With Solcotronics® Plus; 3 pages.
 Solcotrans® Plus Orthopaedic; Post-operative Autotransmission Device; User Reference Manual; pp. 5-31.
 Smith & Nephew Richards Inc.; Blood Transfusion and the Orthopaedic Patient pamphlet; 2 pages. ©1990.
 Now It's Easier To Give Your Patient the Best Blood . . . His Own.; Solcotrans® Plus; Smith & Nephew; 2 pages.

[56] **References Cited**

U.S. PATENT DOCUMENTS

D. 336,514	6/1993	Valerio et al.	D24/121
D. 339,194	9/1993	Telang et al.	D24/108
D. 347,891	6/1994	Koch	D24/118
4,772,256	9/1988	Lane et al.	D24/111 X
4,850,964	7/1989	Cotter .	
4,898,593	2/1990	Swisher et al.	D24/169 X
4,994,020	2/1991	Steffler et al.	604/317 X
5,002,529	3/1991	Cunningham .	
5,372,593	12/1994	Boehringer et al.	604/403 X

OTHER PUBLICATIONS

Stryker® Instruments; Constavac™ Blood Conservation System; 7 pages.
 Snyder, Hemovac; Autotransfusion Evacuator; 4 pages.
 ConstaVac™ Blood Conservation System (CBC); Maintenance Manual & Operating Instrucitons; Stryker® Instruments; 24 pages.
 Stryker Instruments; manual for CBC-Consta Vac Blood Conservation System; 6 pages.

Primary Examiner—Louis S. Zarfes
Assistant Examiner—I. Simmons
Attorney, Agent, or Firm—Donald Brown

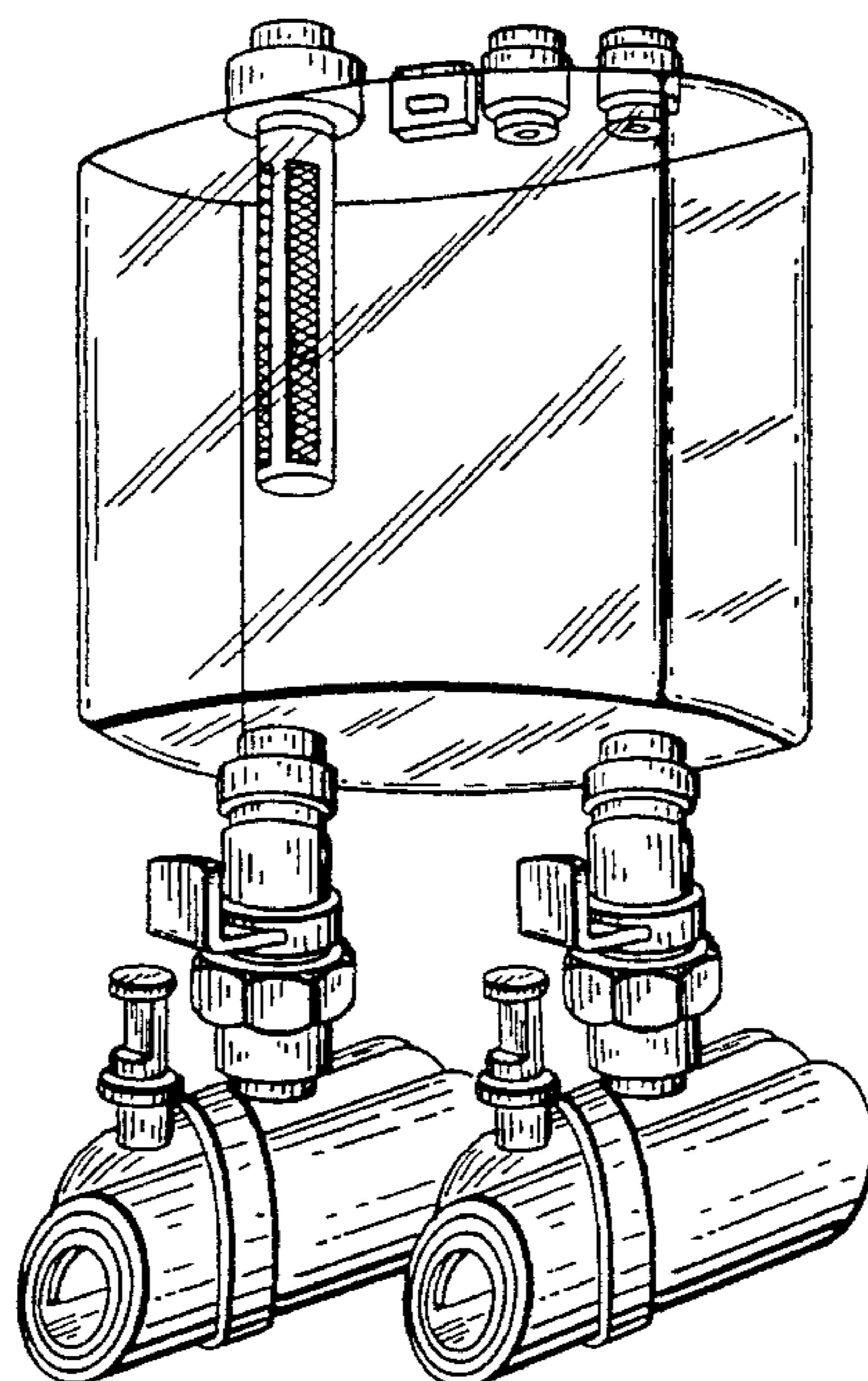
[57] **CLAIM**

The ornamental design for a combined blood receiving container and reinfusion bags, as shown.

DESCRIPTION

FIG. 1 is a front perspective view of a combined blood receiving container and reinfusion bags showing by new design;
 FIG. 2 is a top plan of the container of the system showing my new design;
 FIG. 3 is a front view in FIG. 2 showing my new design;
 FIG. 4 is a left side view of FIG. 2 showing my new design;
 FIG. 5 is a right side showing my new design;
 FIG. 6 is a rear view showing my new design; and,
 FIG. 7 is a bottom view showing my new design.

1 Claim, 4 Drawing Sheets



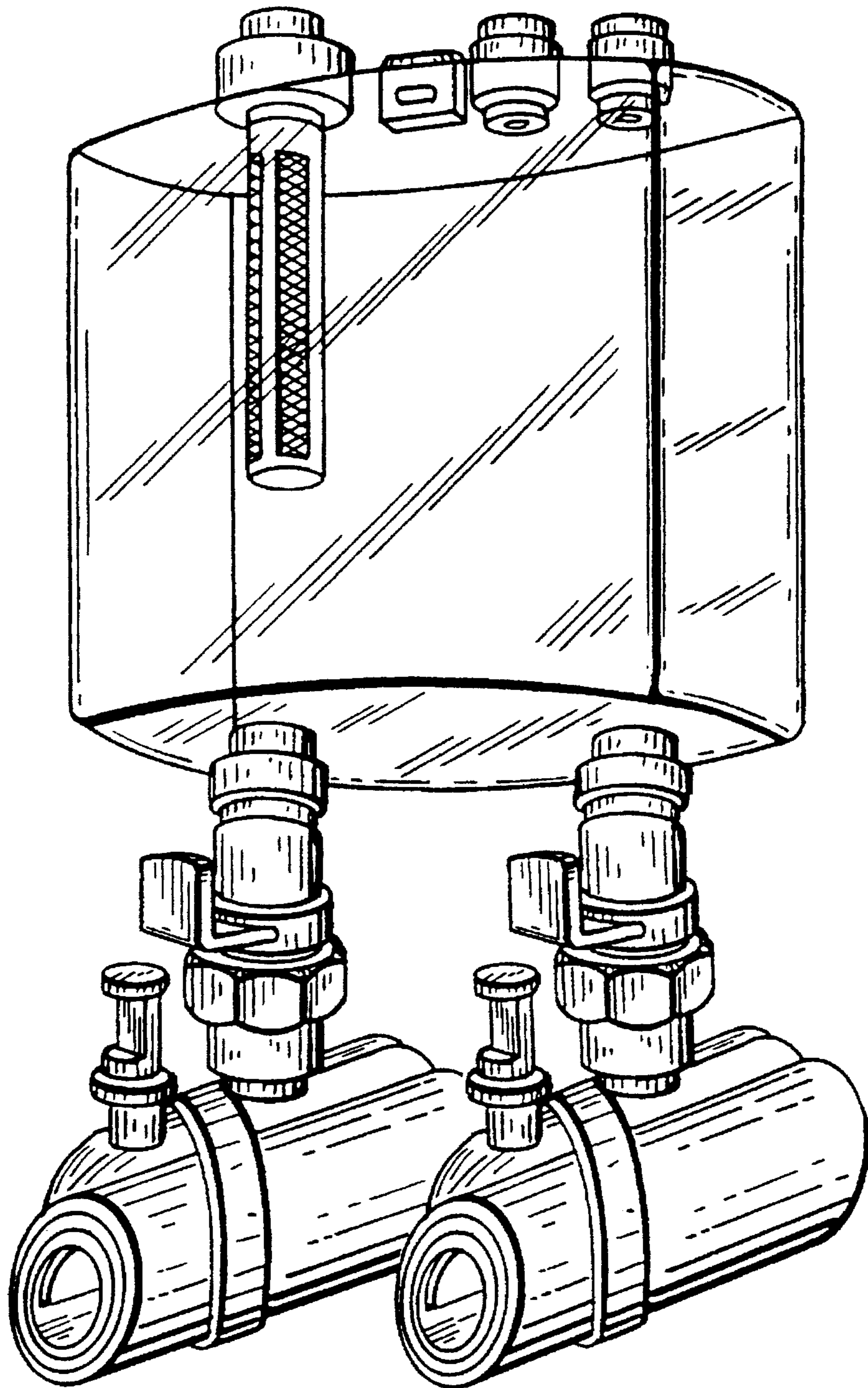


FIG. 1

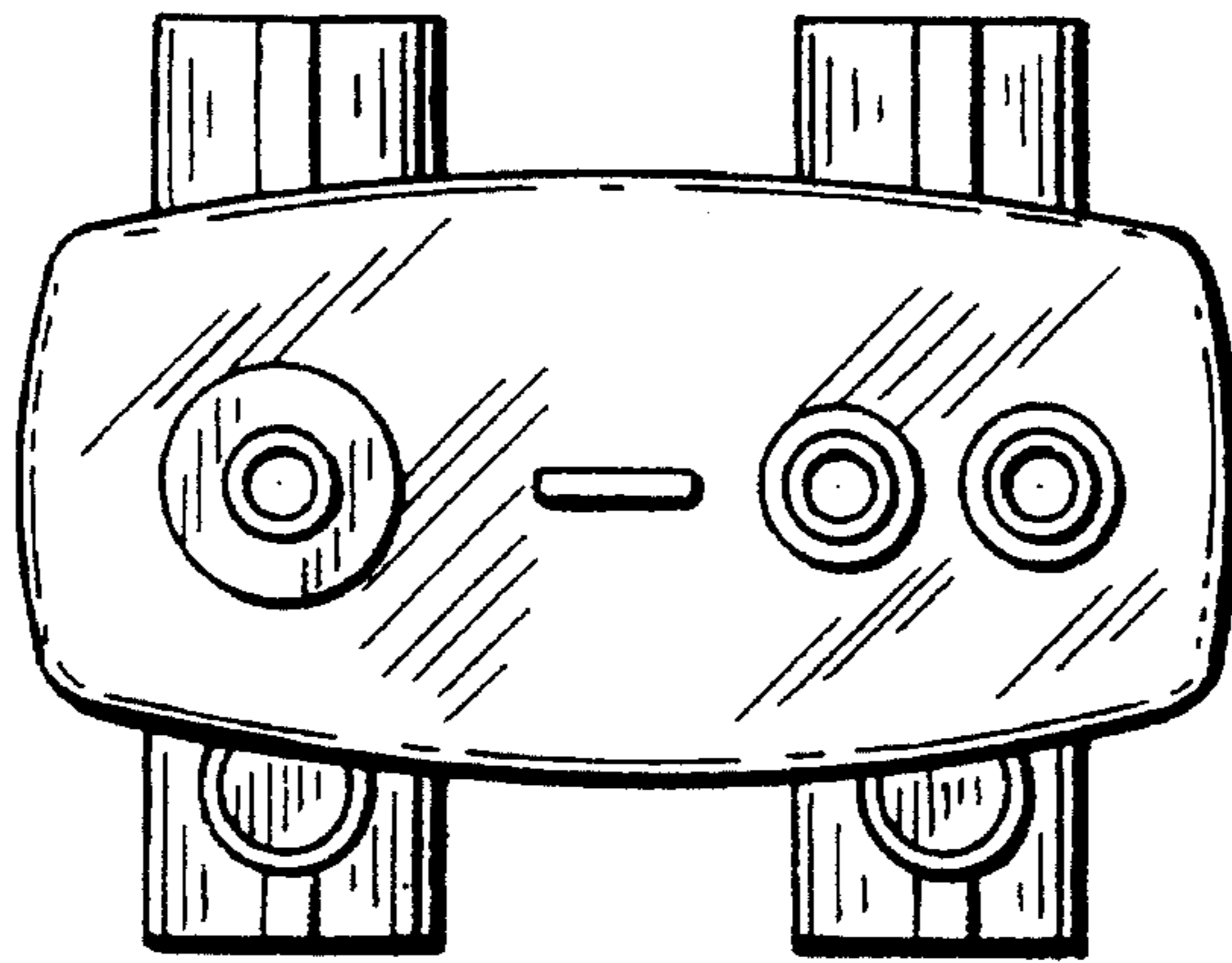


FIG. 2

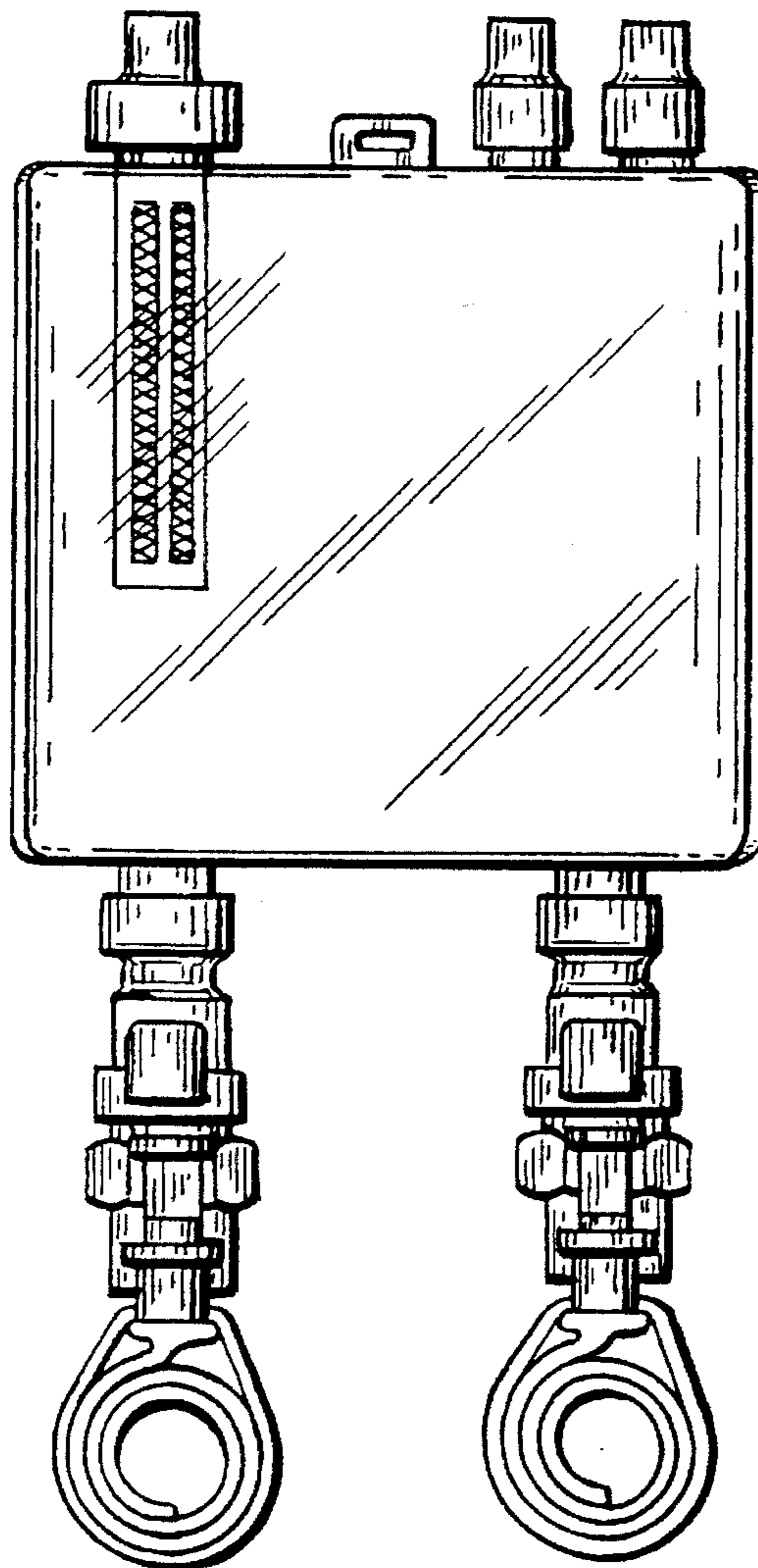


FIG. 3

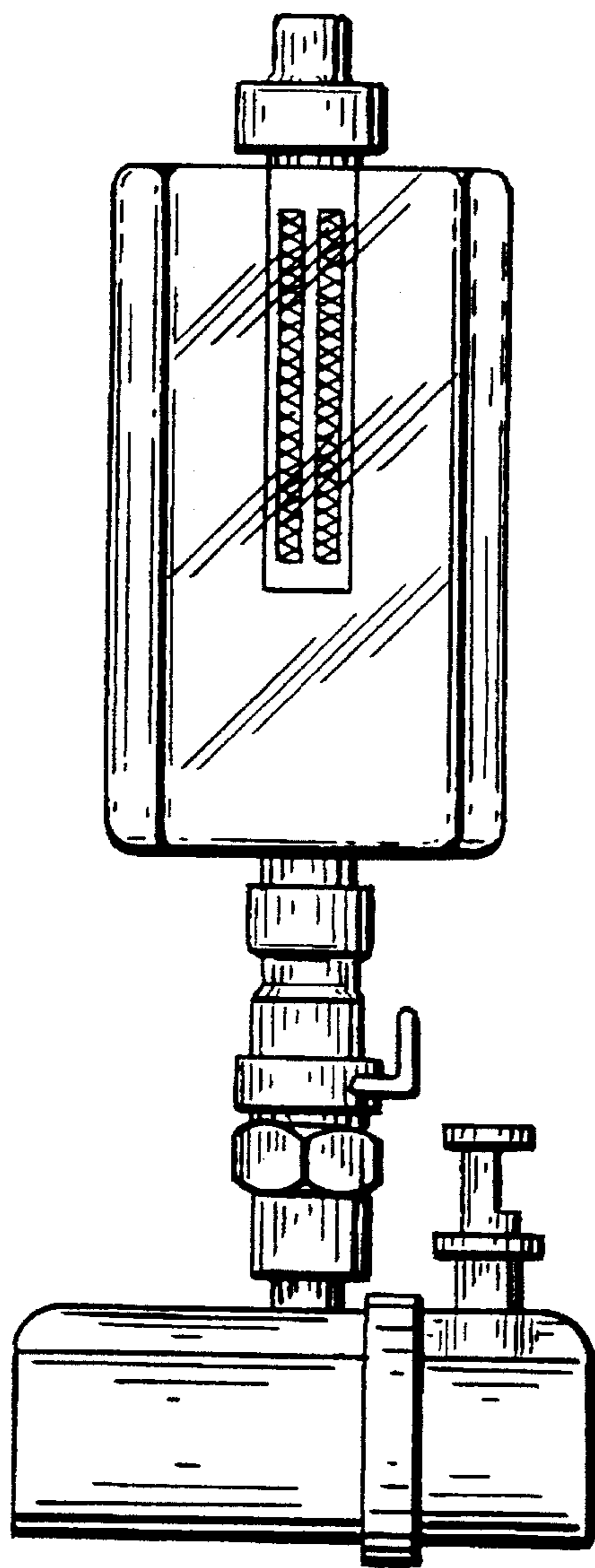


FIG. 4

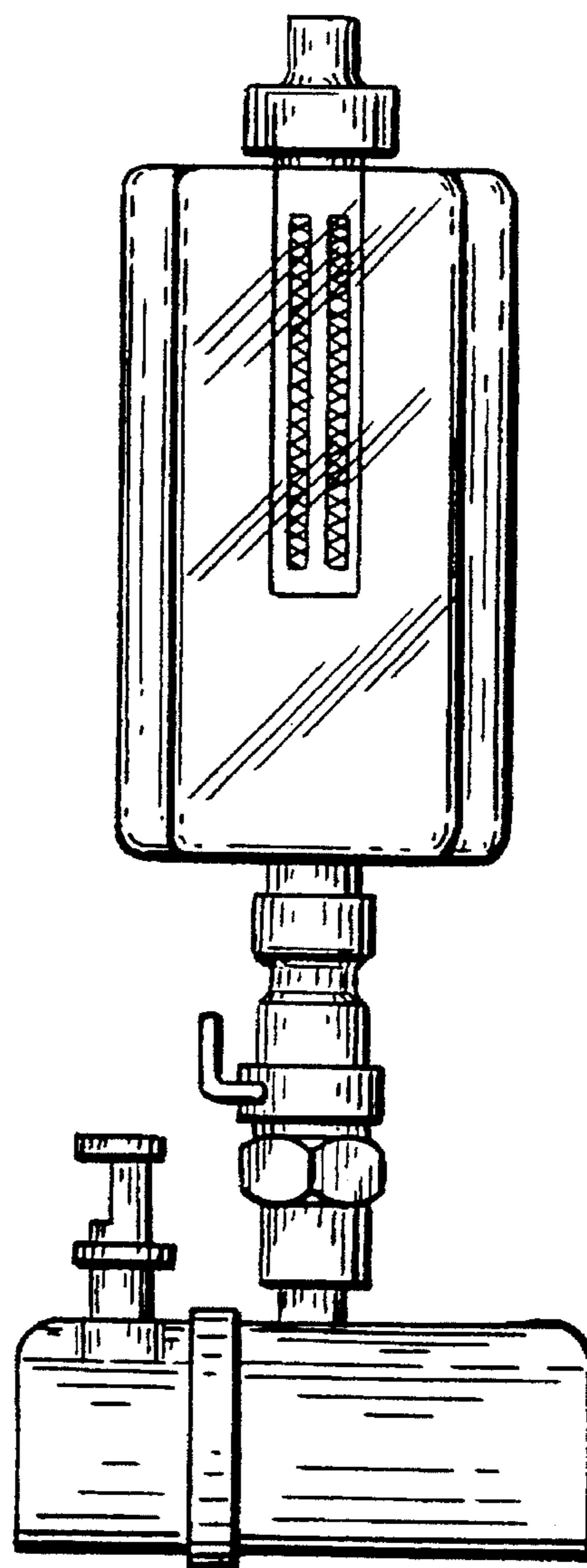


FIG. 5

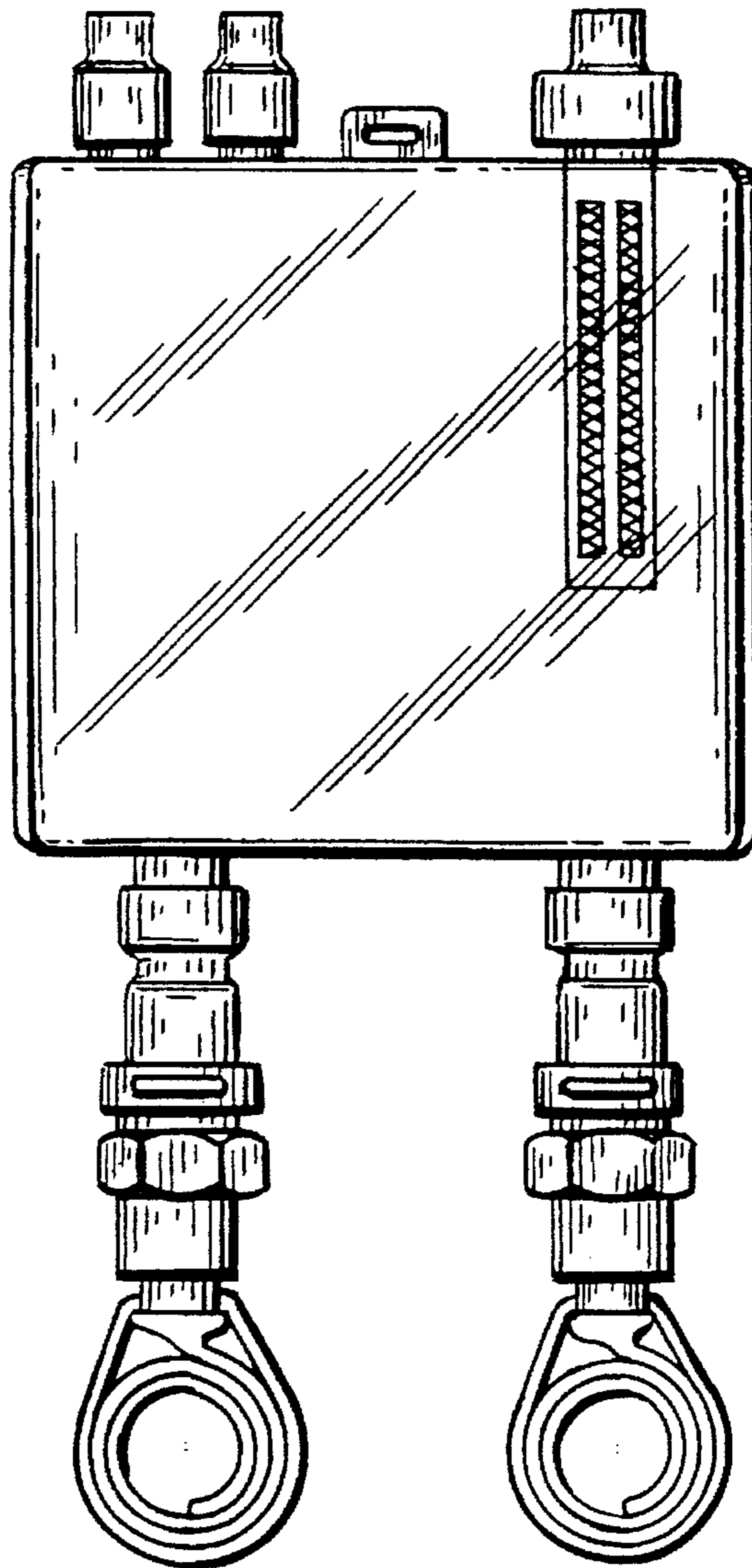


FIG. 6

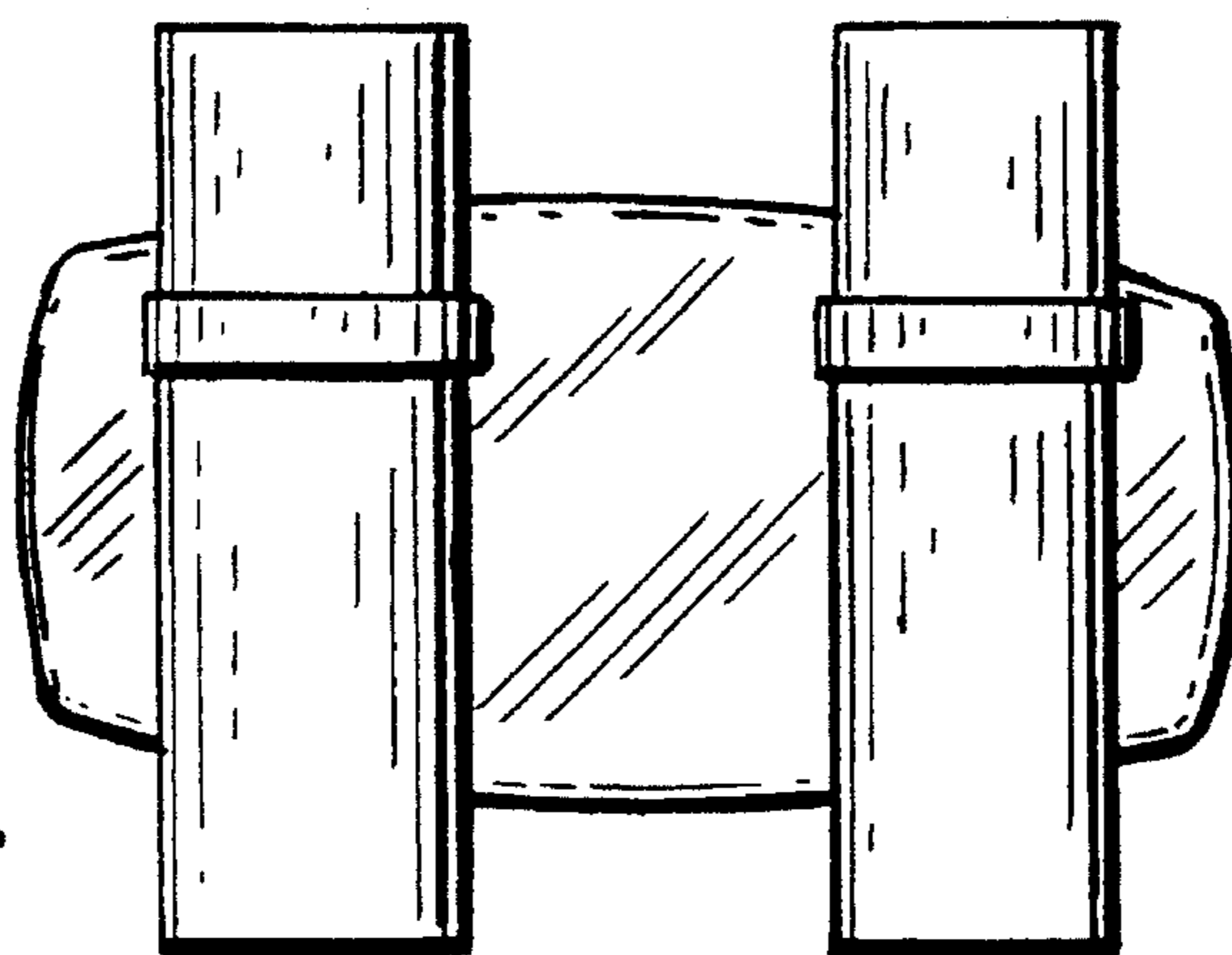


FIG. 7