



US00D367703S

# United States Patent [19]

Myers et al.

[11] Patent Number: **Des. 367,703**

[45] Date of Patent: **\*\*Mar. 5, 1996**

[54] **HOT WATER HEATER SHUT OFF VALVE**

### FOREIGN PATENT DOCUMENTS

[76] Inventors: **Kenneth E. Myers; Alice M. Myers**,  
both of 4301 NW. 34th Way,  
Lauderdale Lakes, Fla. 33309

978632 4/1951 France .  
2067787 7/1981 United Kingdom .

[\*\*] Term: **14 Years**

*Primary Examiner*—A. Hugo Word  
*Assistant Examiner*—Lavone D. Tabor  
*Attorney, Agent, or Firm*—Dennis H. Lambert

[21] Appl. No.: **32,225**

[57] **CLAIM**

[22] Filed: **Dec. 14, 1994**

The ornamental design for a hot water heater shut off valve,  
as shown and described.

[52] U.S. Cl. .... **D23/322**

### DESCRIPTION

[58] Field of Search ..... D23/322, 386;  
137/78.1, 312, 461, 551; 251/73, 129.03,  
129.04; 340/500, 532, 605

FIG. 1 is a front, top and side perspective view of the hot  
water heater shut off valve showing my new design;  
FIG. 2 is a front elevational view thereof, the rear being a  
mirror image;

### [56] References Cited

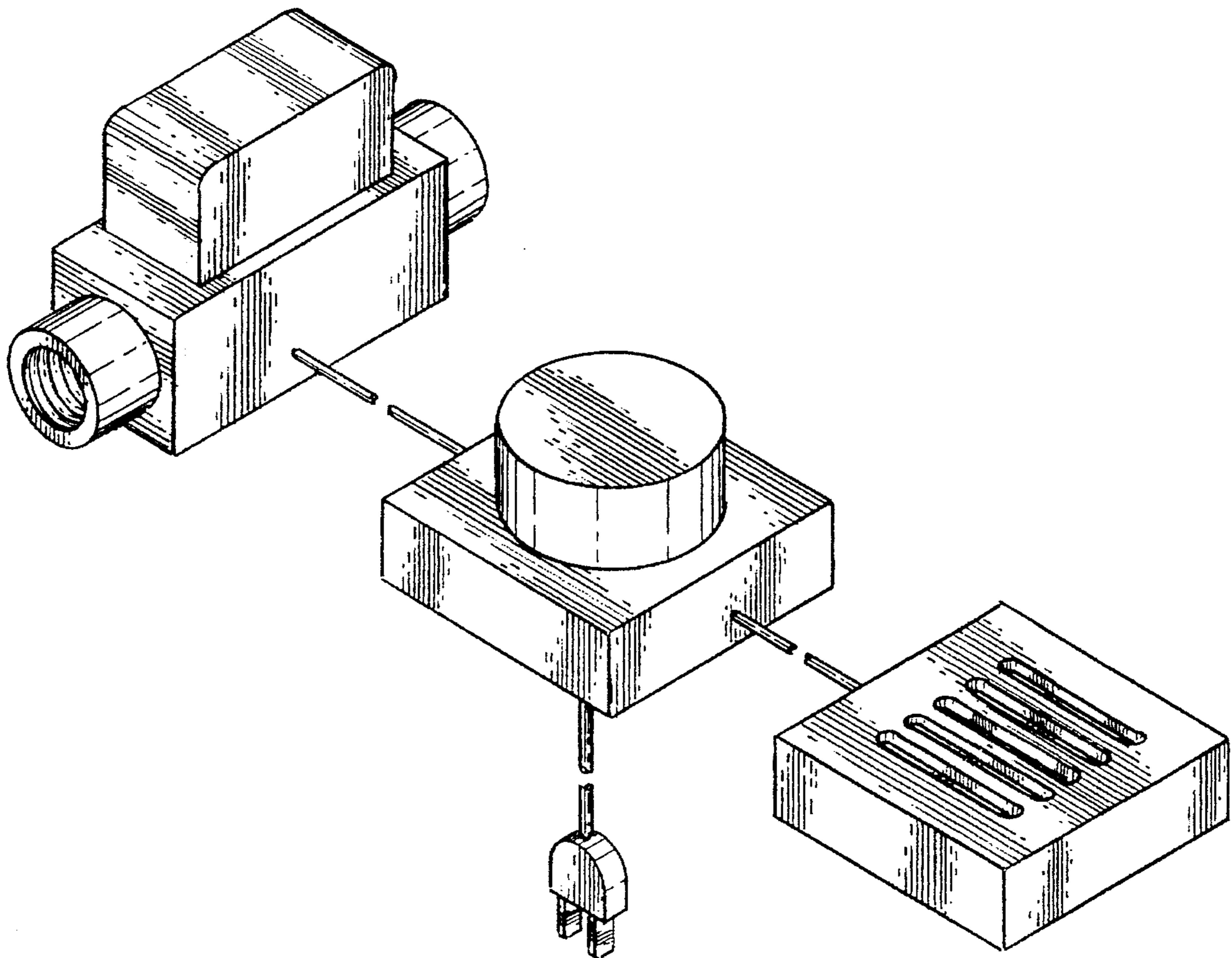
#### U.S. PATENT DOCUMENTS

4,324,268	4/1982	Jacobson .....	137/312
5,135,028	8/1992	Rickenbach et al. .	
5,190,069	3/1993	Richards .....	137/312
5,215,251	6/1993	Volk, Jr. et al. .	
5,230,365	7/1993	Woltz et al. .	
5,240,022	8/1993	Franklin .....	137/78.1 X

FIG. 3 is a left hand side elevational view thereof;  
FIG. 4 is a right hand side elevational view thereof;  
FIG. 5 is a top plan view thereof; and,  
FIG. 6 is a bottom plan view thereof.

The cords are shown broken away to indicate indeterminate  
length.

**1 Claim, 3 Drawing Sheets**



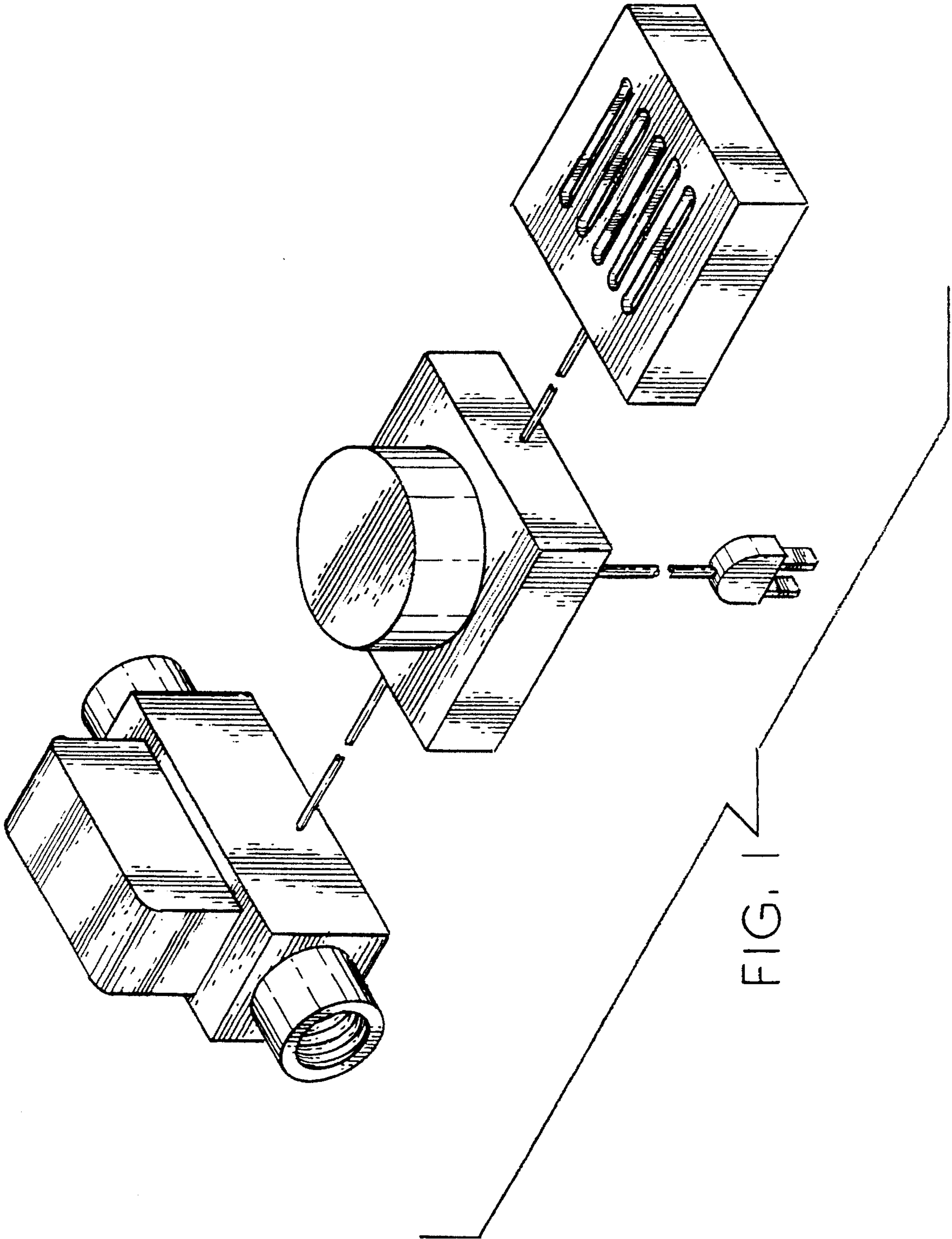


FIG. 1

FIG. 2

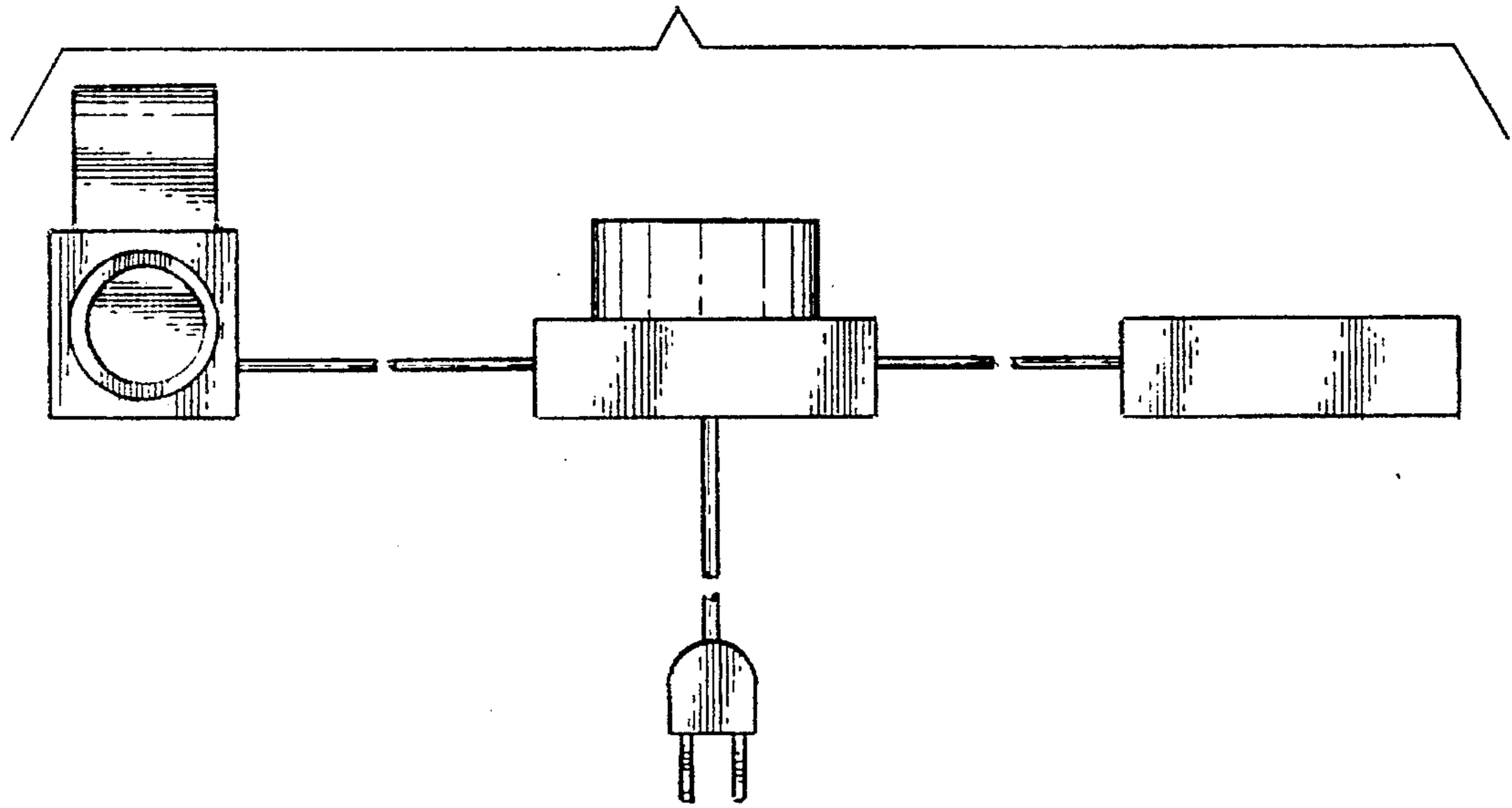


FIG. 3

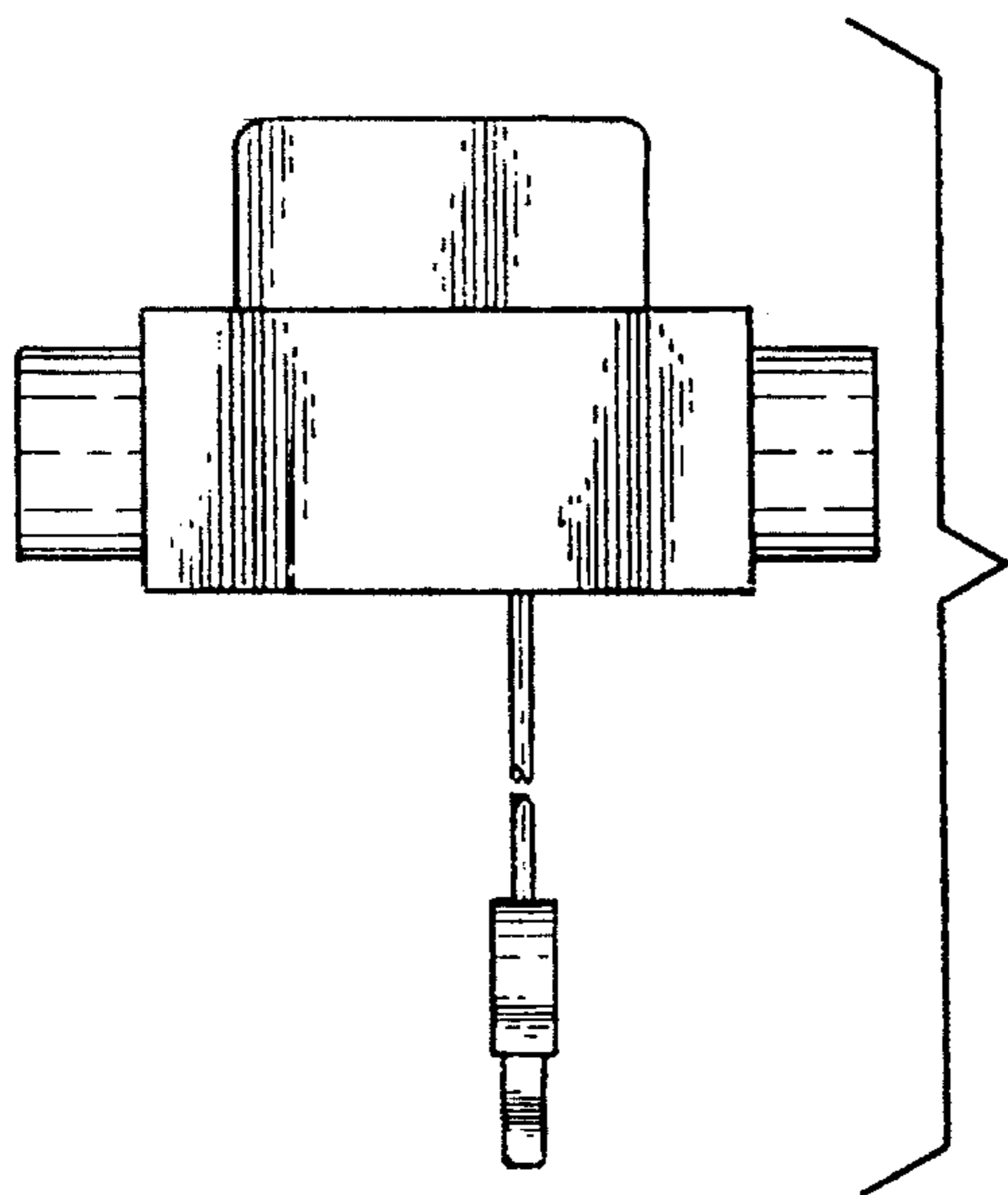


FIG. 4

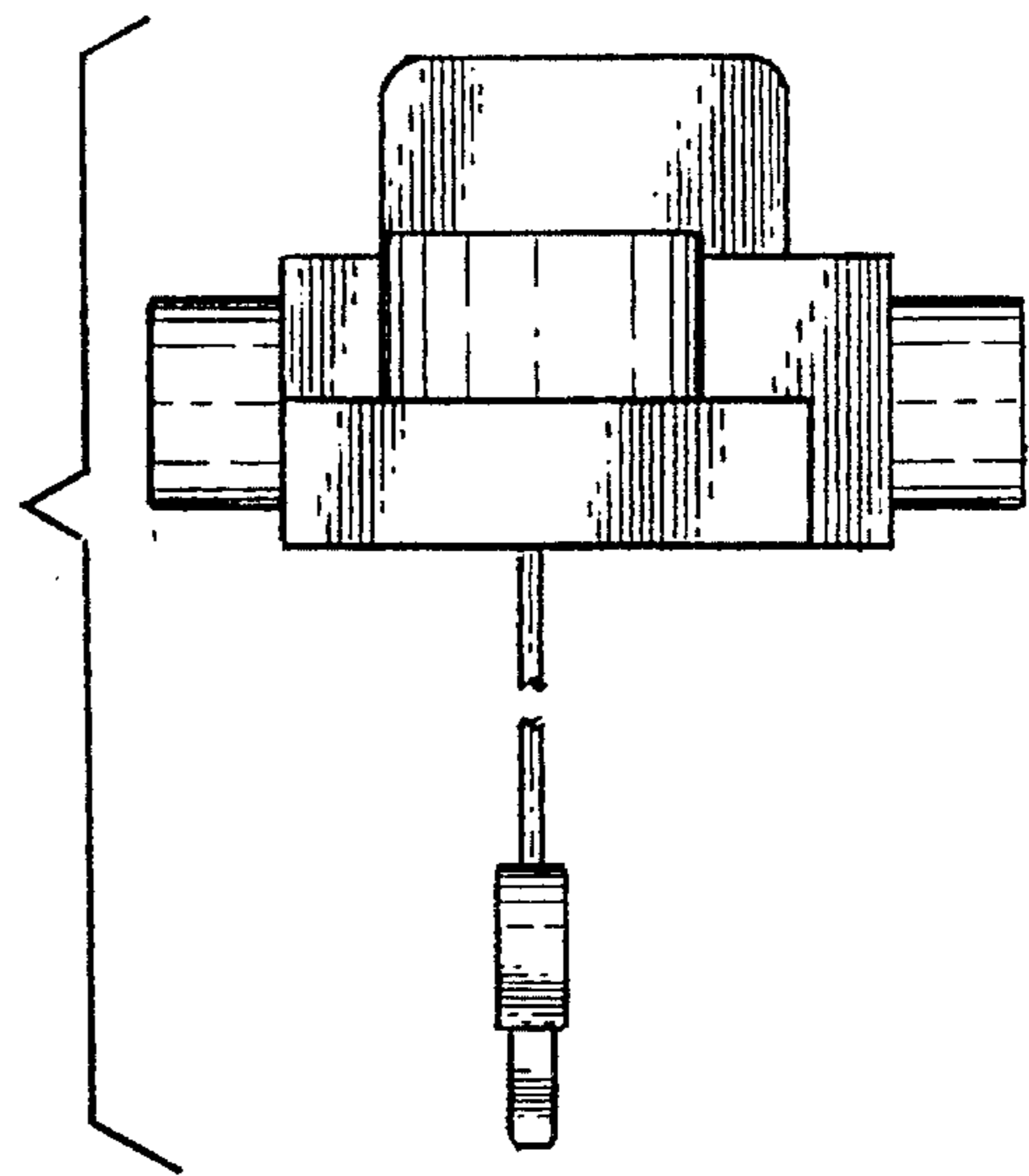


FIG. 5

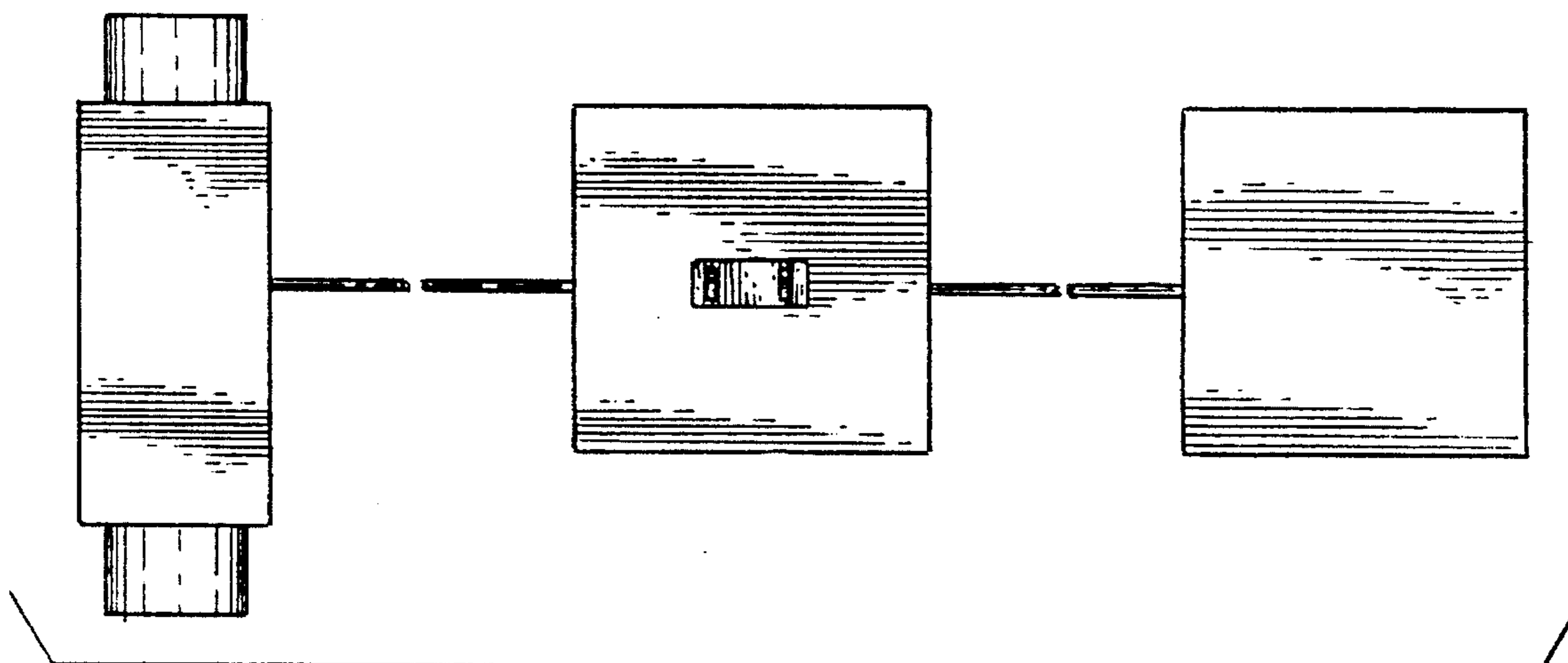
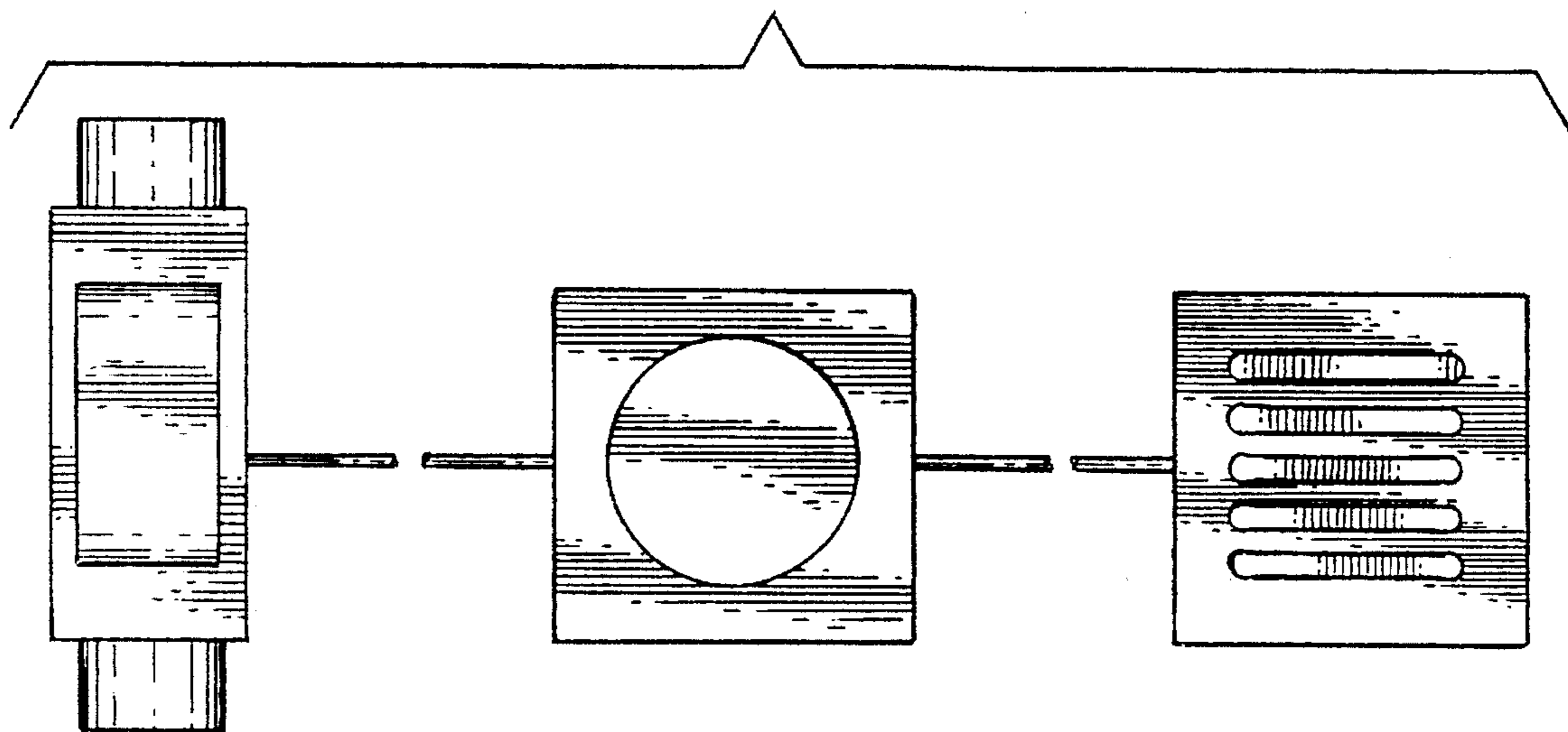


FIG. 6