



US00D367701S

United States Patent [19]

[11] Patent Number: **Des. 367,701**

Hill et al.

[45] Date of Patent: ****Mar. 5, 1996**

[54] FAUCET SPOUT

2,878,489 3/1959 Graham 4/627

[75] Inventors: **Loran R. Hill**, Indianapolis; **Anthony G. Spangler**, Sheridan, both of Ind.

OTHER PUBLICATIONS

Delta The Way Water is Brought to Life (Full-Line Catalog).
Delta HDF Commercial Products Catalog (Admitted Prior Art).

[73] Assignee: **Masco Corporation of Indiana**, Taylor, Mich.

Primary Examiner—Stella Reid
Assistant Examiner—E. Watterson
Attorney, Agent, or Firm—Myron B. Kapustij; Malcolm L. Sutherland

[**] Term: **14 Years**

[21] Appl. No.: **33,664**

[22] Filed: **Jan. 18, 1995**

[57] CLAIM

The ornamental design for a faucet spout, as shown and described.

Related U.S. Application Data

[63] Continuation of Ser. No. 15,243, Nov. 9, 1993, abandoned.

[52] U.S. Cl. **D23/255**

[58] Field of Search D23/238-243,
D23/250-258; 4/675-678; 137/807

DESCRIPTION

FIG. 1 is a front perspective view of a faucet spout showing our new design;

FIG. 2 is a rear perspective view thereof;

FIG. 3 is a top plan view thereof;

FIG. 4 is a front elevational view thereof;

FIG. 5 is a rear elevational view thereof;

FIG. 6 is a left side elevational view thereof, the right side being a mirror image;

FIG. 7 is a cross-sectional view, rotated 90 degrees taken along line 7-7 in FIG. 6;

FIG. 8 is a bottom plan view thereof;

FIG. 9 is a front perspective view of a second embodiment of faucet spout;

FIG. 10 is a top plan view of the faucet spout illustrated in FIG. 9;

FIG. 11 is a front elevational view of the faucet spout of the second embodiment;

FIG. 12 is a left side elevational view of the faucet spout illustrated in FIG. 9, the right side being a mirror image;

FIG. 13 is a cross-sectional view, rotated 90 degrees taken along line 13-13 in FIG. 12; and,

FIG. 14 is a rear perspective view of the faucet spout illustrated in FIG. 9.

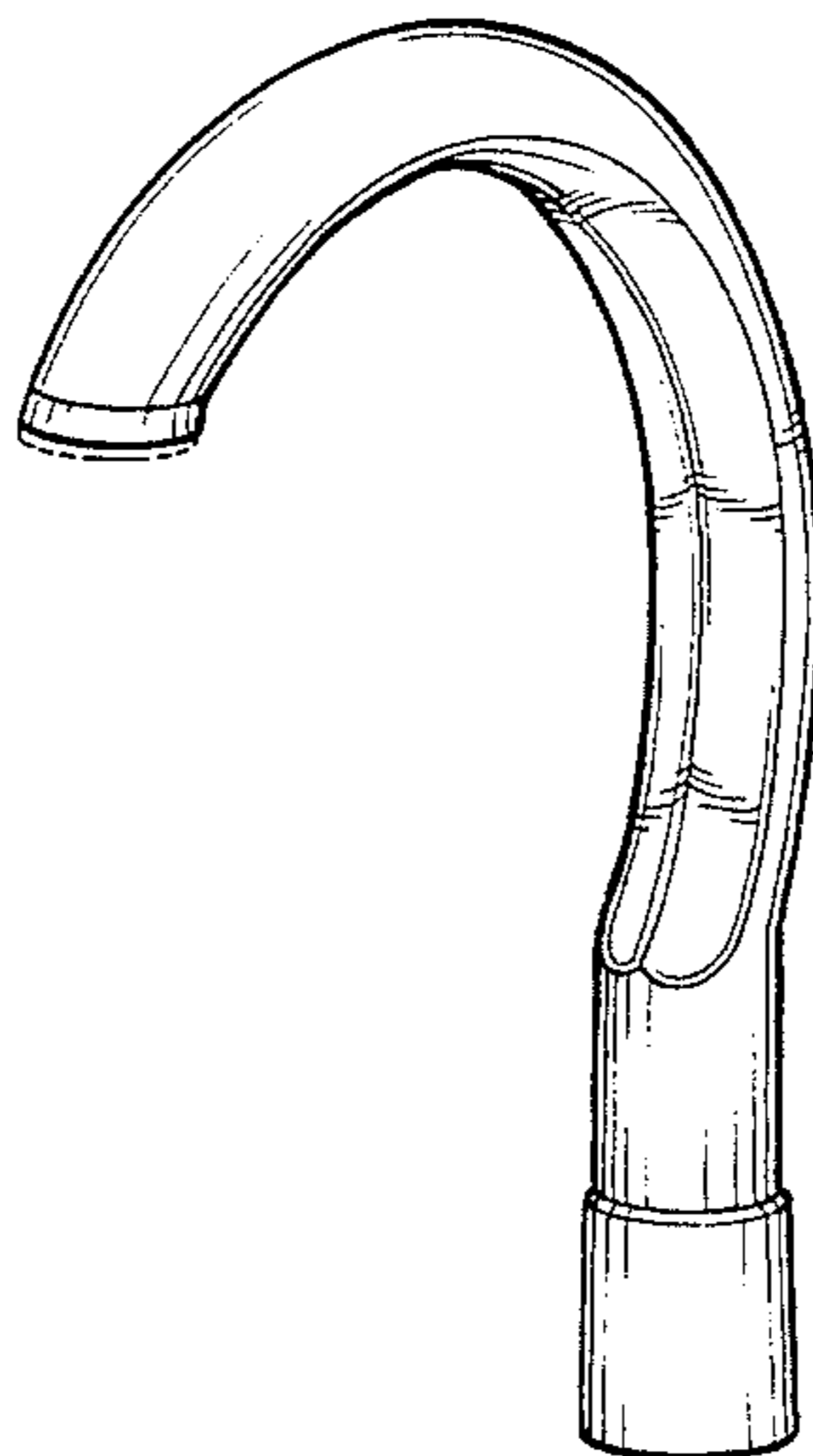
The broken line showing of the aerator in FIG. 1 is for purposes of illustration only and forms no part of the claimed design.

[56] References Cited

U.S. PATENT DOCUMENTS

- D. 251,794 5/1979 Smith .
- D. 254,801 4/1980 Santi .
- D. 267,110 11/1982 Arnolds .
- D. 268,608 4/1983 Wilcock .
- D. 276,259 11/1984 Miller .
- D. 278,270 4/1985 Nieman .
- D. 278,271 4/1985 Nieman .
- D. 279,598 6/1985 Rademacher .
- D. 280,010 8/1985 Miller et al. .
- D. 281,095 10/1985 Arnold et al. .
- D. 286,561 11/1986 Yost .
- D. 287,747 1/1987 Miller et al. .
- D. 288,835 3/1987 Yost .
- D. 290,992 6/1987 Hill et al. .
- D. 291,117 7/1987 Ryan .
- D. 295,550 5/1988 Yost .
- D. 295,551 5/1988 Yost .
- D. 318,906 8/1991 Spangler .
- D. 320,645 10/1991 Knapp et al. .
- D. 321,750 11/1991 Spangler .
- D. 326,901 6/1992 Yost D23/255
- D. 329,688 9/1992 Yost D23/255
- D. 339,853 9/1993 Higgins et al. .
- 1,853,154 4/1932 Snyder 4/676

1 Claim, 6 Drawing Sheets



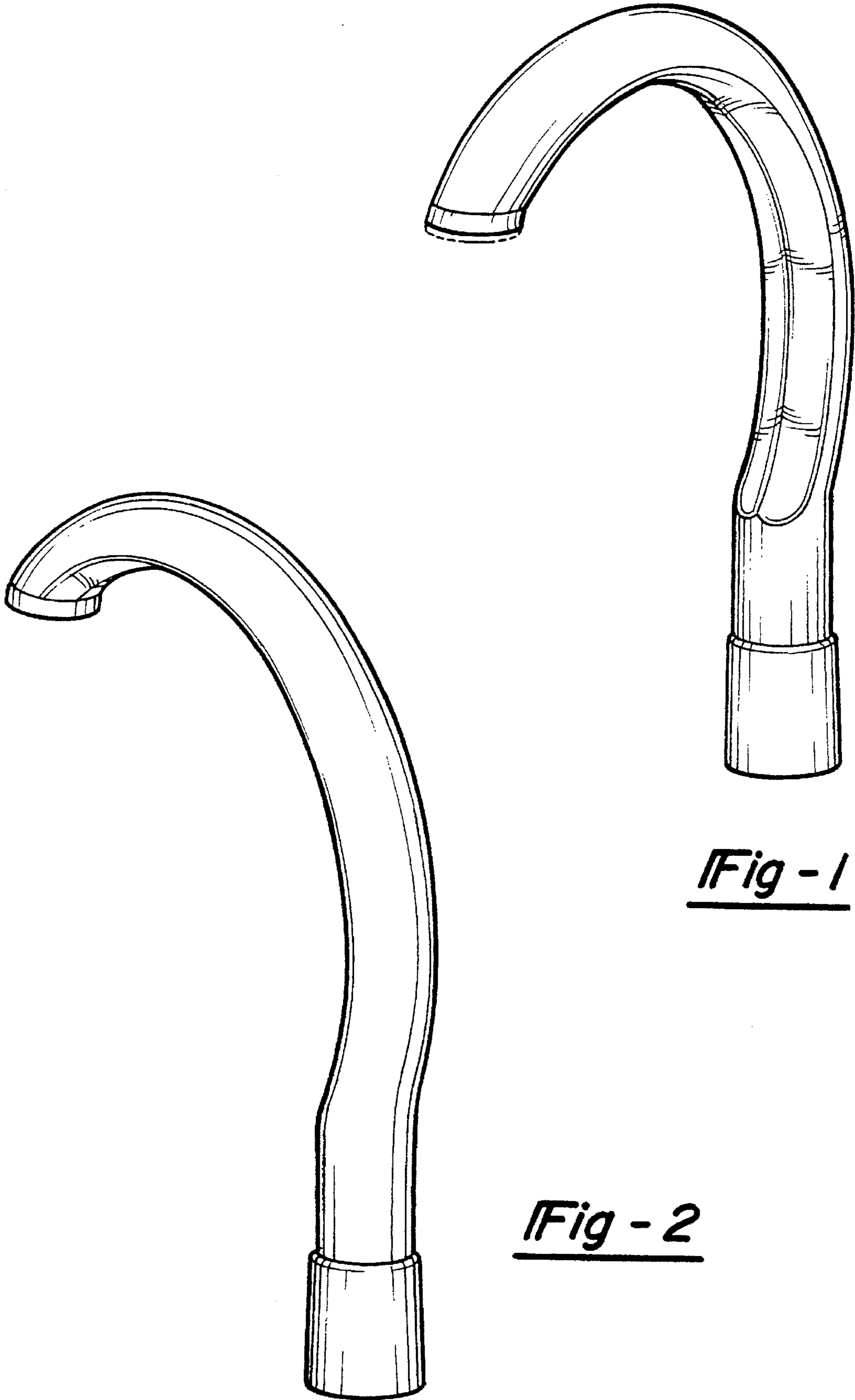


Fig - 1

Fig - 2

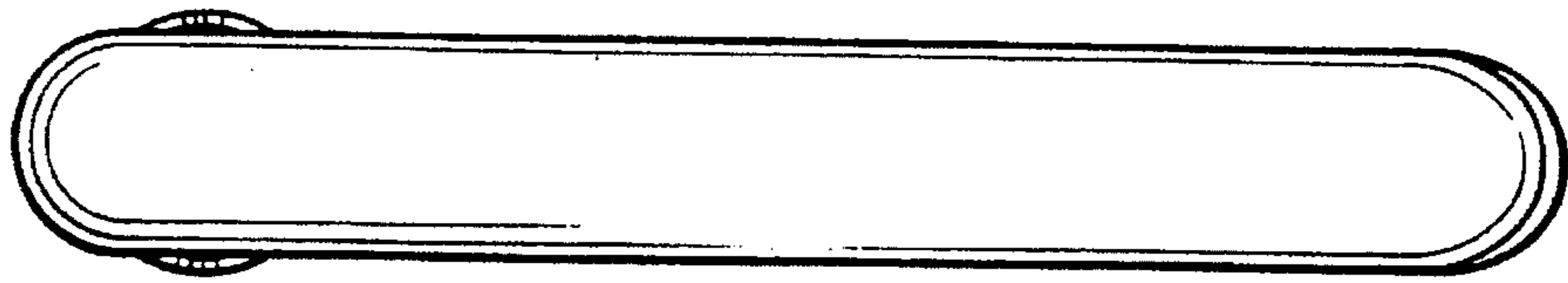


Fig - 3

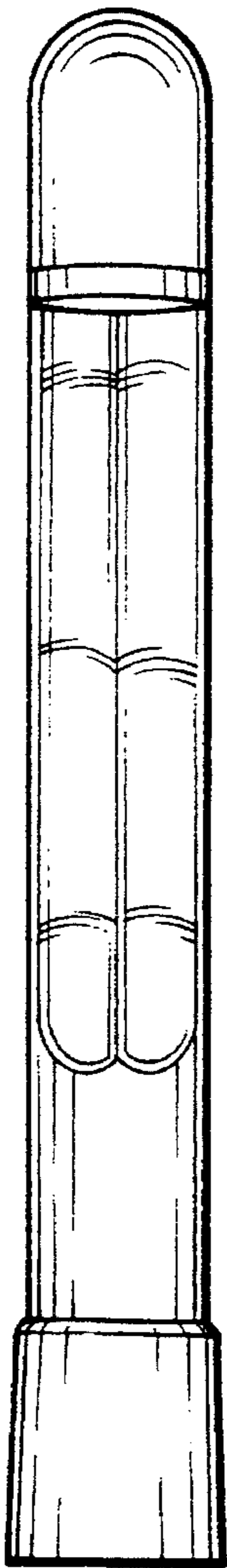


Fig - 4

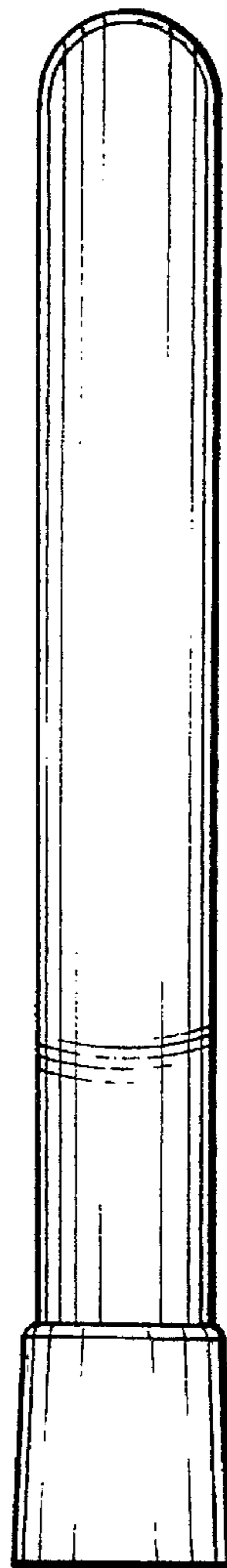


Fig - 5

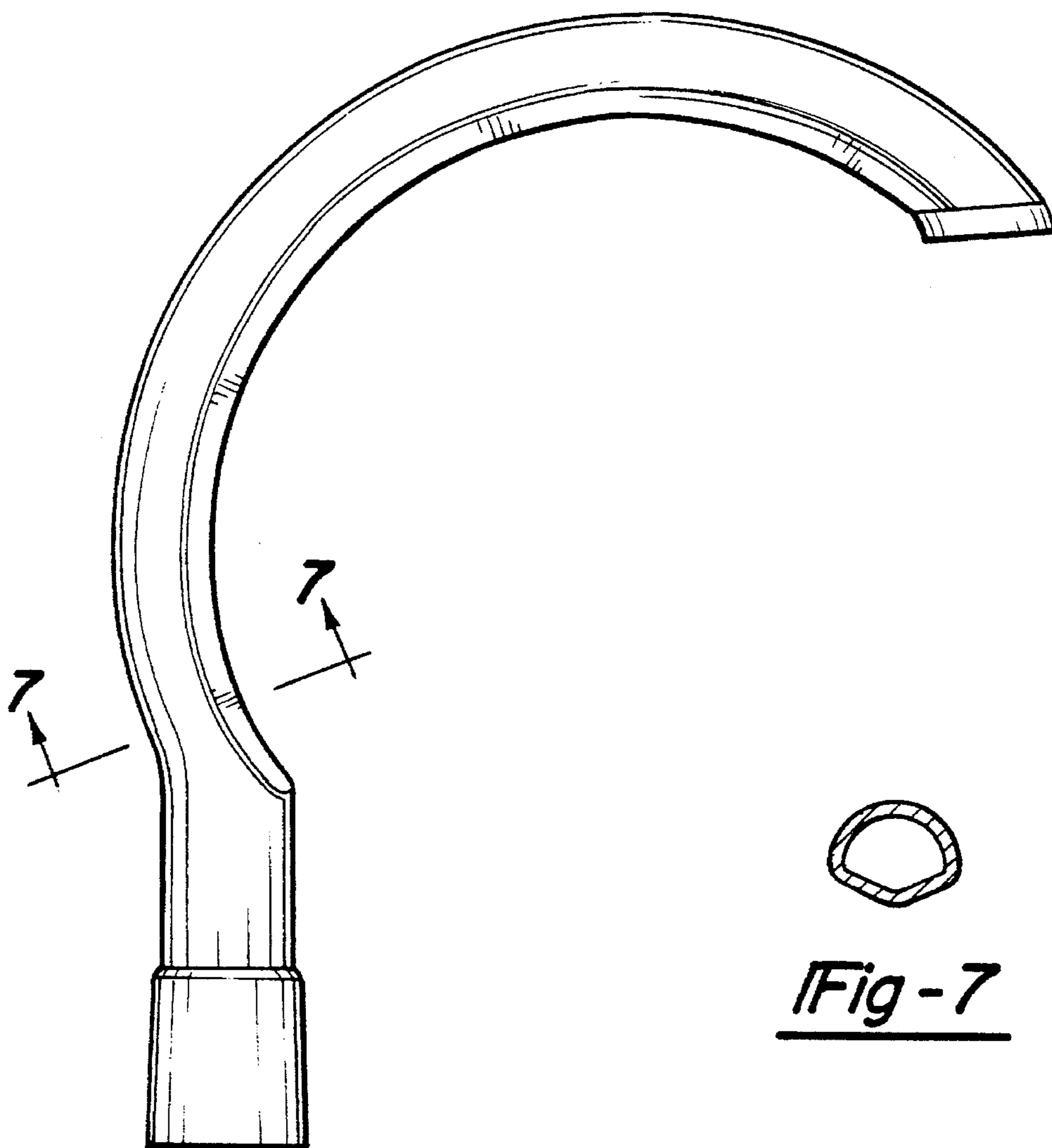


Fig - 6

Fig - 7

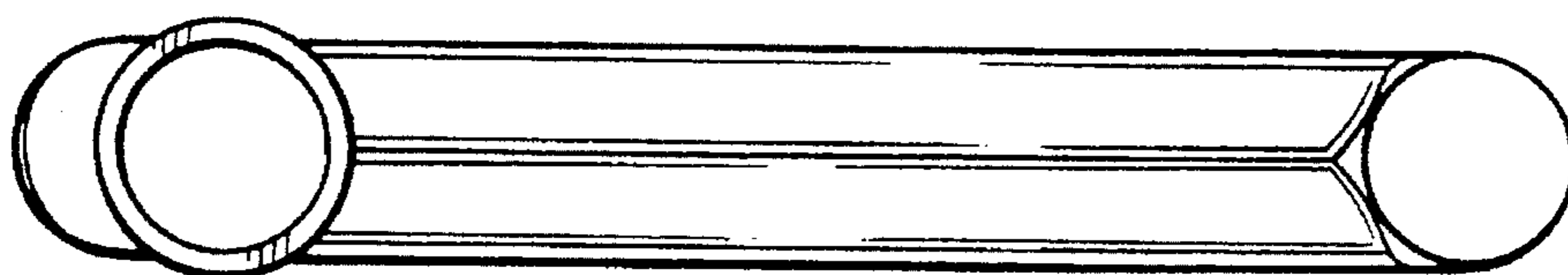


Fig - 8

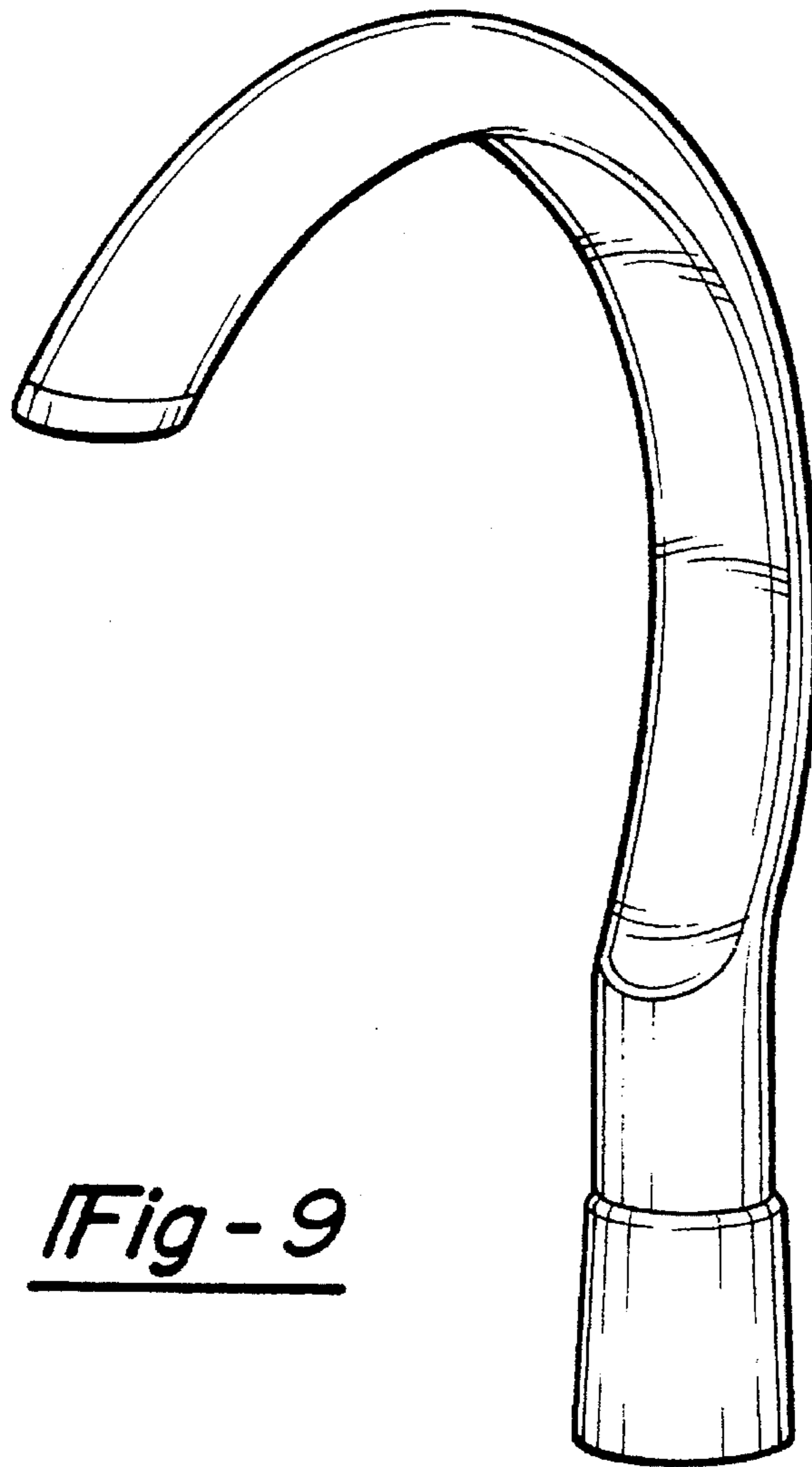


Fig - 9

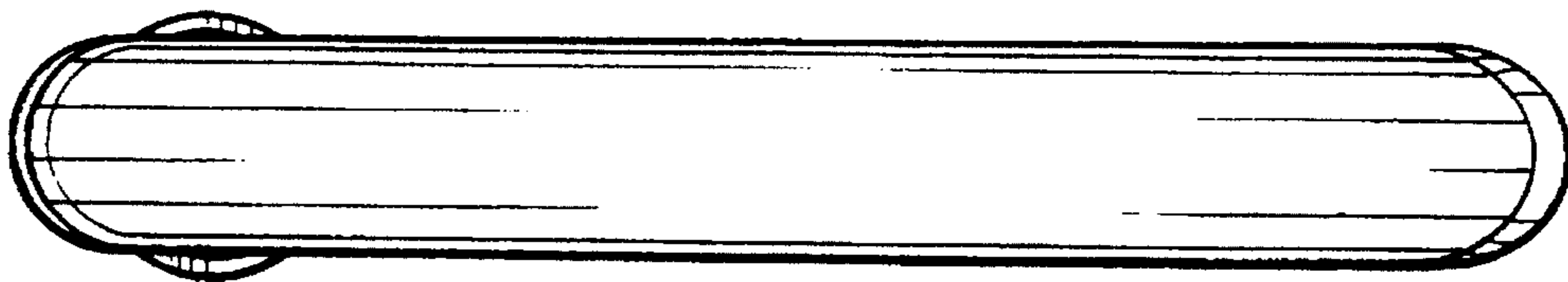


Fig - 10

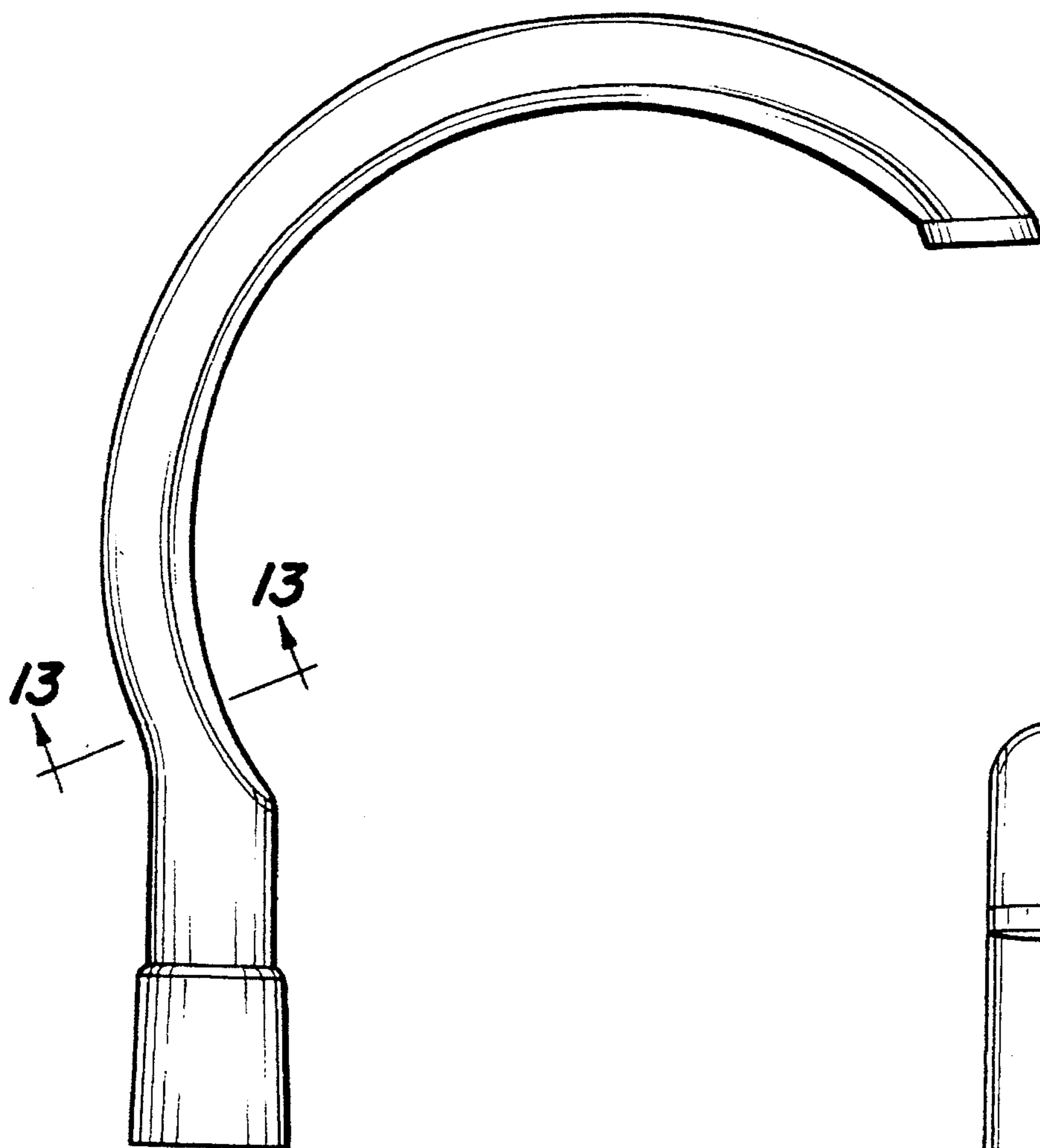


Fig - 12



Fig - 13



Fig - 11

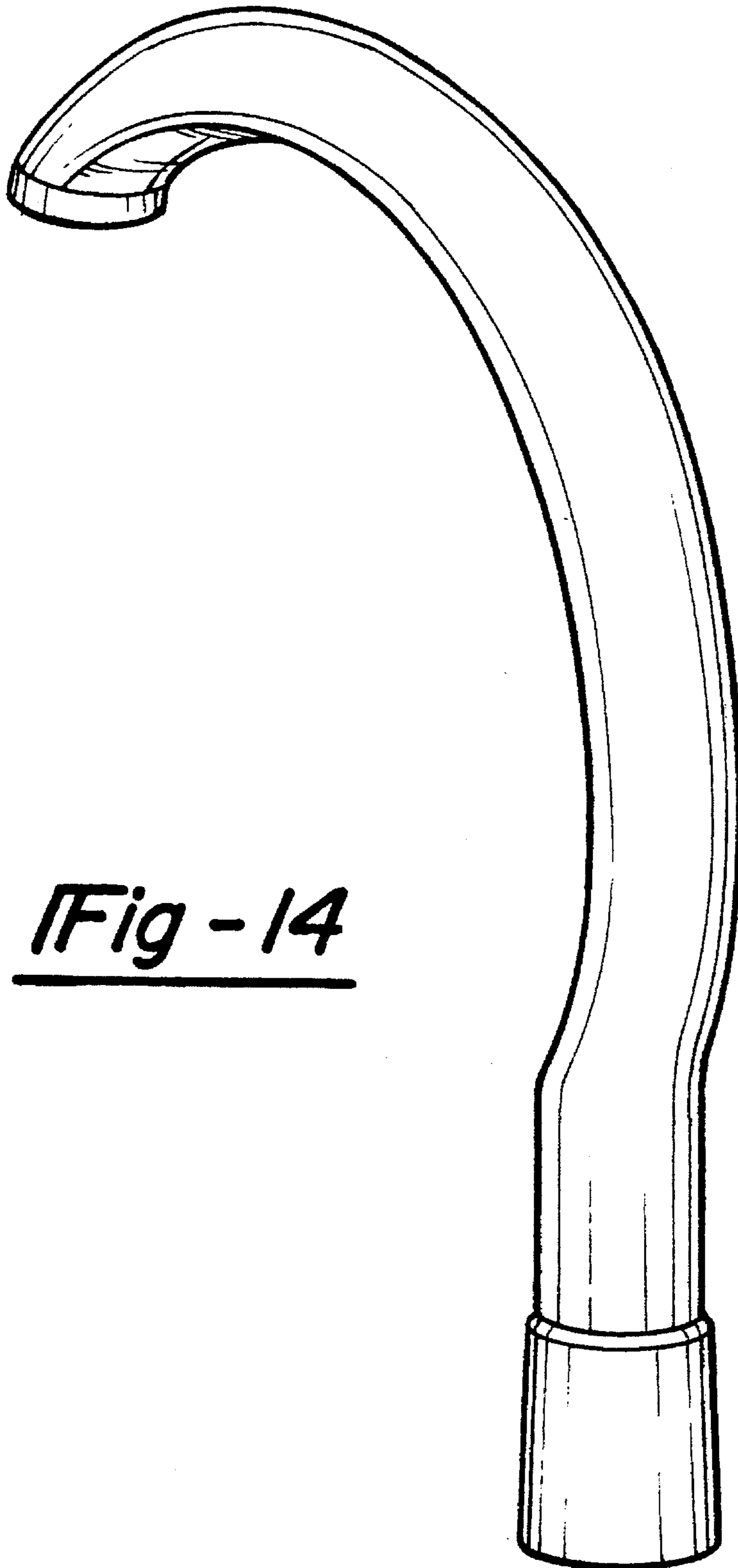


Fig - 14