



US00D367700S

United States Patent [19]

[11] Patent Number: **Des. 367,700**

Hill et al.

[45] Date of Patent: ****Mar. 5, 1996**

[54] **COMBINED FAUCET BODY AND SPOUT**

3,035,612	5/1962	Lyon .	
3,556,140	1/1971	Potitz	4/678 X
5,090,062	2/1992	Hochstrasser	4/678

[75] Inventors: **Loran R. Hill**, Indianapolis; **Anthony G. Spangler**, Sheridan, both of Ind.

OTHER PUBLICATIONS

[73] Assignee: **Masco Corporation of Indiana**, Taylor, Mich.

Delta Full-Line Catalog, The Way Water is Brought to Life (1991).

[**] Term: **14 Years**

Delta Full-Line Catalog, The Way Water is Brought to Life (1992).

[21] Appl. No.: **32,198**

EPIC, Products for a Luxurious Lifestyle. (1989).

[22] Filed: **Dec. 13, 1994**

Primary Examiner—Stella Reid

Assistant Examiner—Eric Watterson

Attorney, Agent, or Firm—Myron B. Kapustij; Malcolm L. Sutherland

Related U.S. Application Data

[63] Continuation of Ser. No. 13,930, Oct. 6, 1993, abandoned.

[52] **U.S. Cl.** **D23/255**

[58] **Field of Search** D23/238-243,
D23/250-258; 4/675-678; 137/807

[57] CLAIM

The ornamental design for a combined faucet body and spout, as shown and described.

[56] References Cited

DESCRIPTION

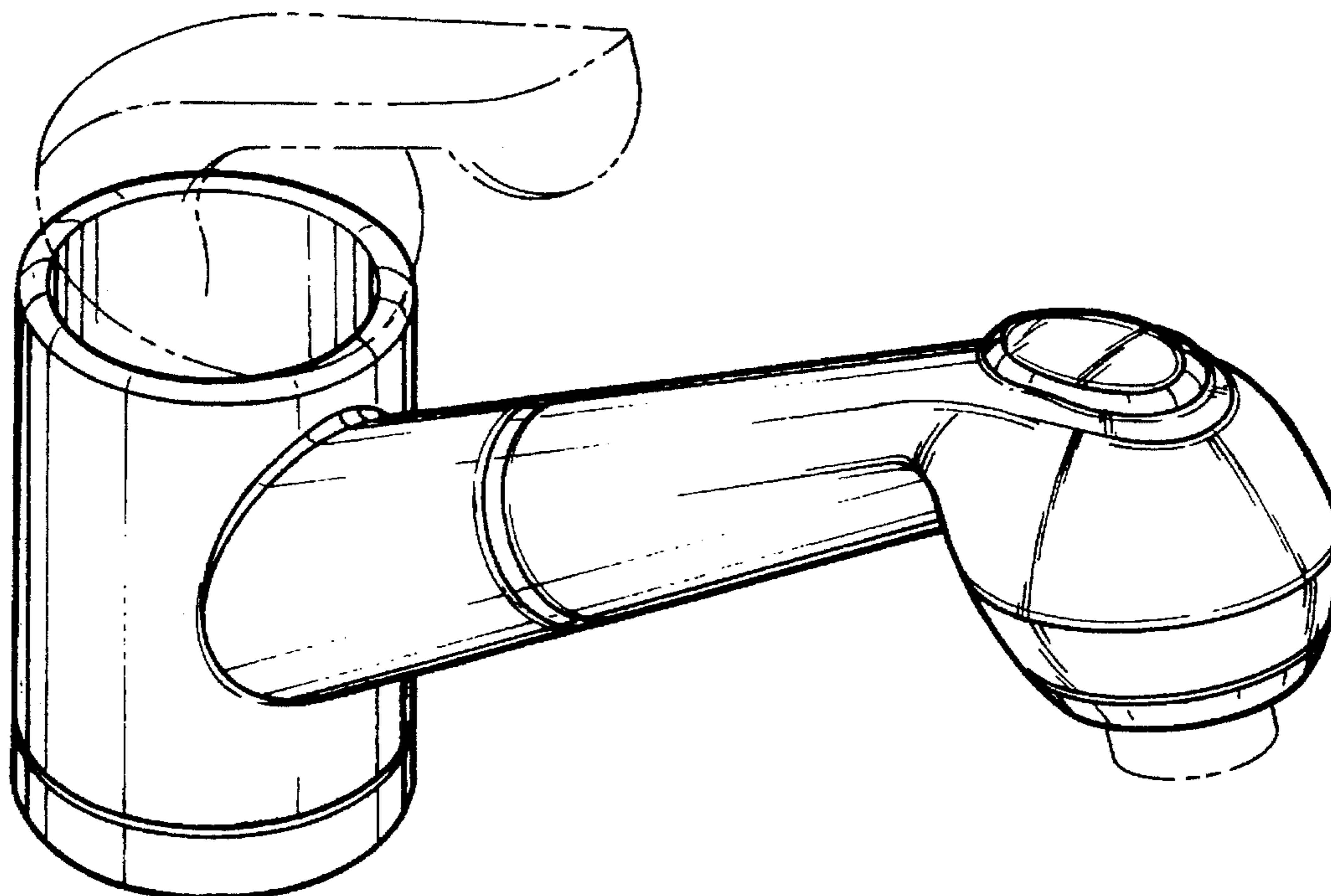
U.S. PATENT DOCUMENTS

- | | | | |
|------------|---------|-------------------|---------|
| D. 193,885 | 10/1962 | Andrews . | |
| D. 197,000 | 11/1963 | Landell . | |
| D. 203,246 | 12/1965 | Harvey et al. . | |
| D. 213,874 | 4/1969 | Landell . | |
| D. 219,779 | 1/1971 | Tiller . | |
| D. 267,582 | 1/1983 | Mackay et al. . | |
| D. 290,492 | 6/1987 | Hill et al. . | |
| D. 313,836 | 1/1991 | Knapp | D23/238 |
| D. 324,905 | 3/1992 | Chretien | D23/238 |
| D. 327,729 | 7/1992 | Rogers . | |
| D. 332,303 | 1/1993 | Klose . | |
| D. 337,810 | 7/1993 | Bengtson et al. . | |

FIG. 1 is a front top perspective view of a combined faucet body and spout showing our new design;
 FIG. 2 is a rear top perspective view thereof;
 FIG. 3 is a top plan view thereof;
 FIG. 4 is a front elevational view thereof;
 FIG. 5 is a left side elevational view thereof;
 FIG. 6 is a right side elevational view thereof; and,
 FIG. 7 is a rear elevational view thereof.

The broken line showings of a handle and aerator in FIG. 1 are for purposes of illustration only and form no part of the claimed design.

1 Claim, 4 Drawing Sheets



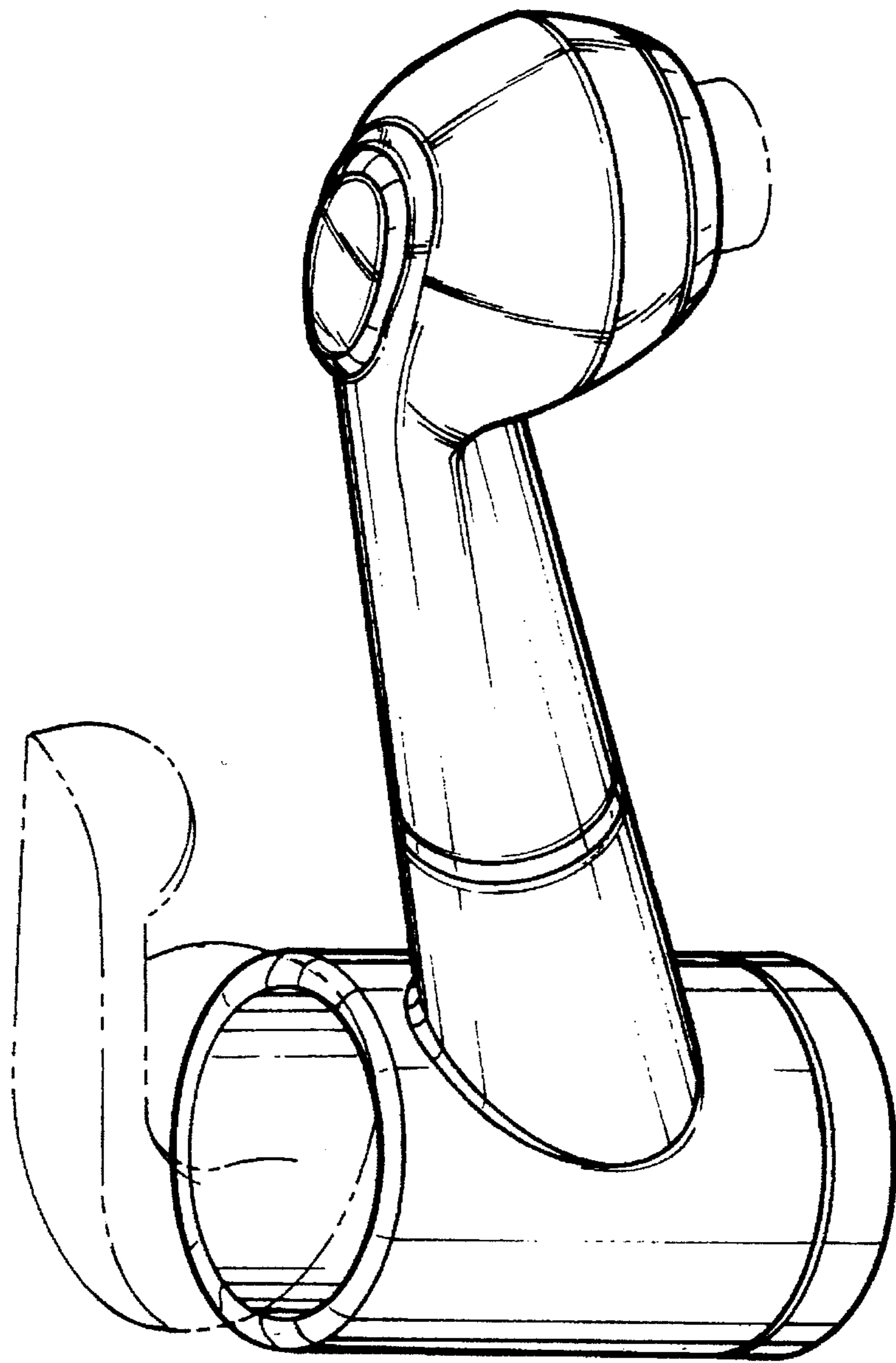


Fig-1

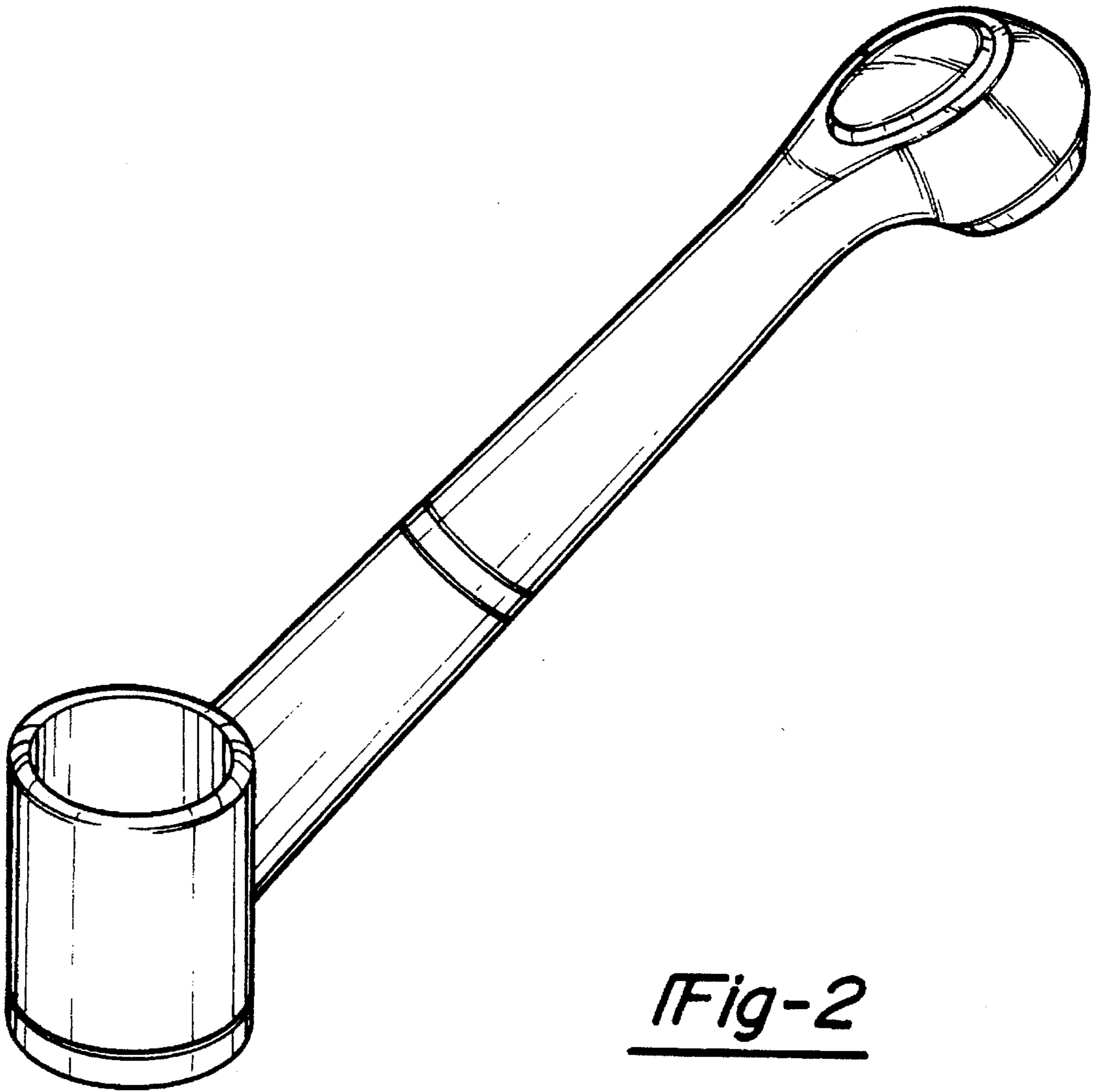


Fig-2

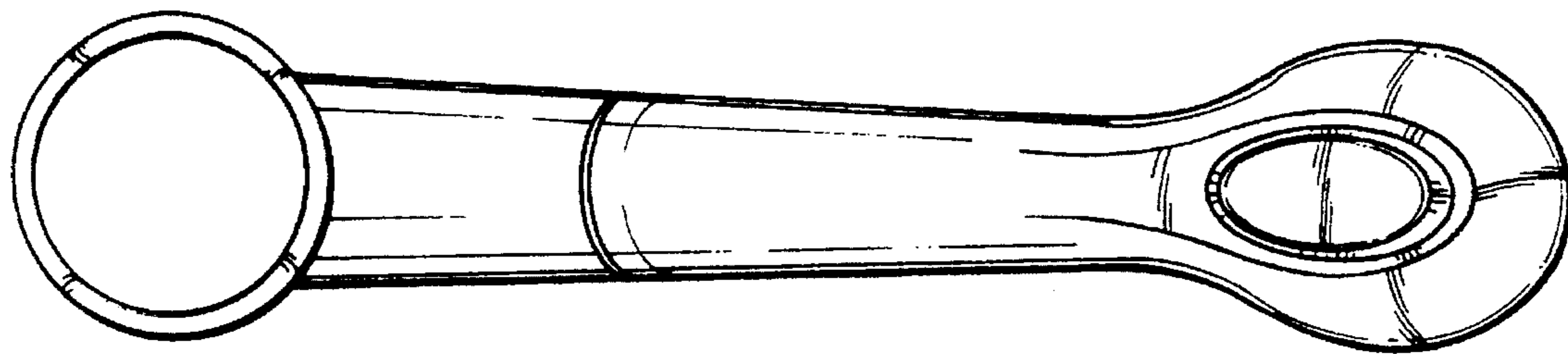


Fig-3

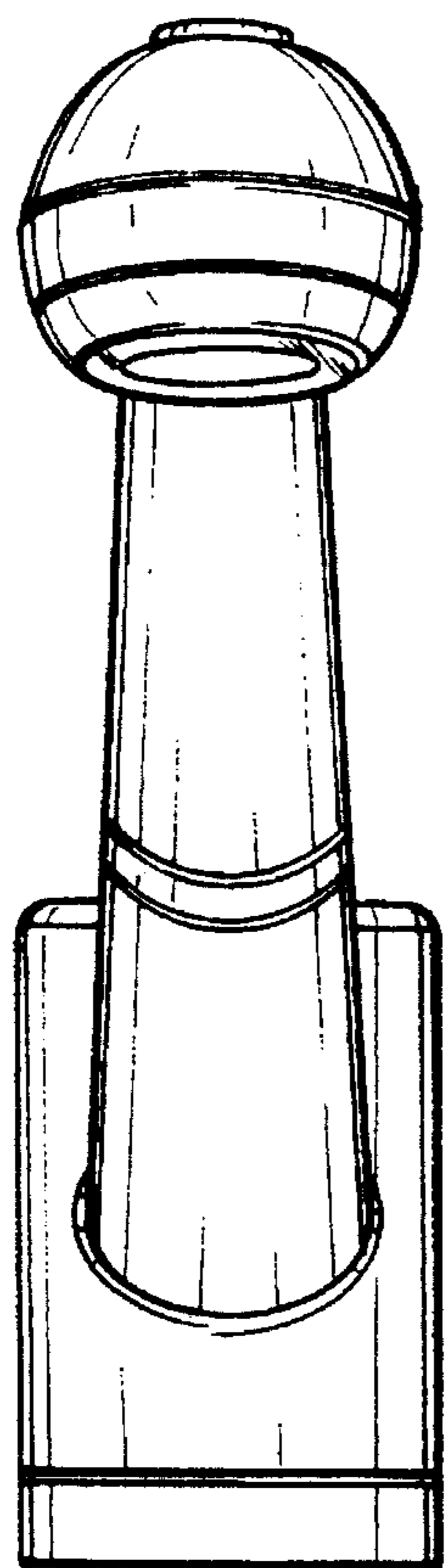


Fig-4

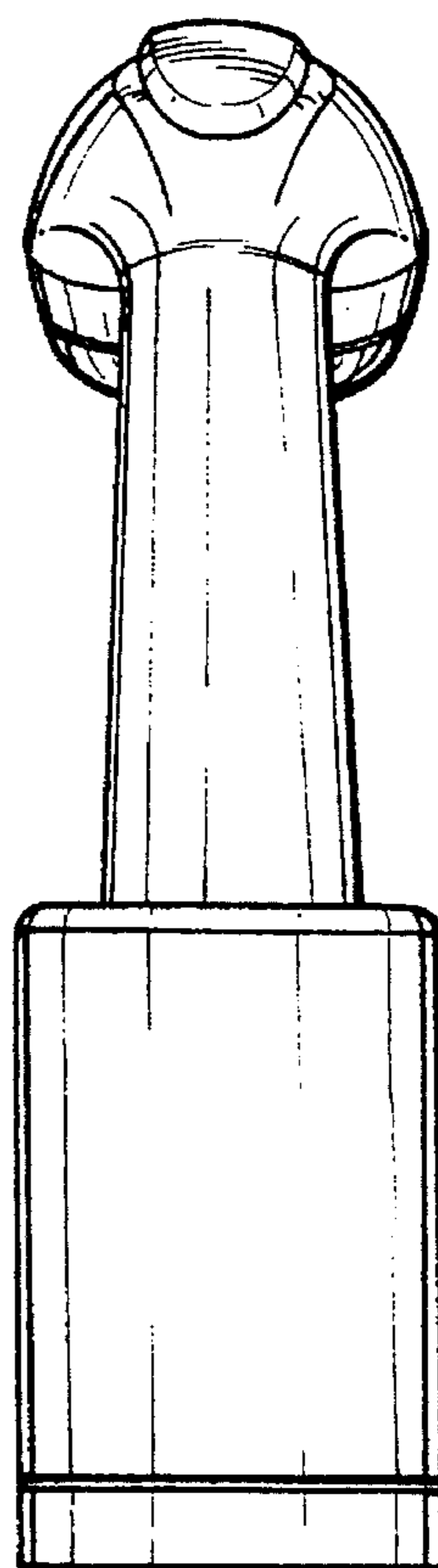


Fig-7

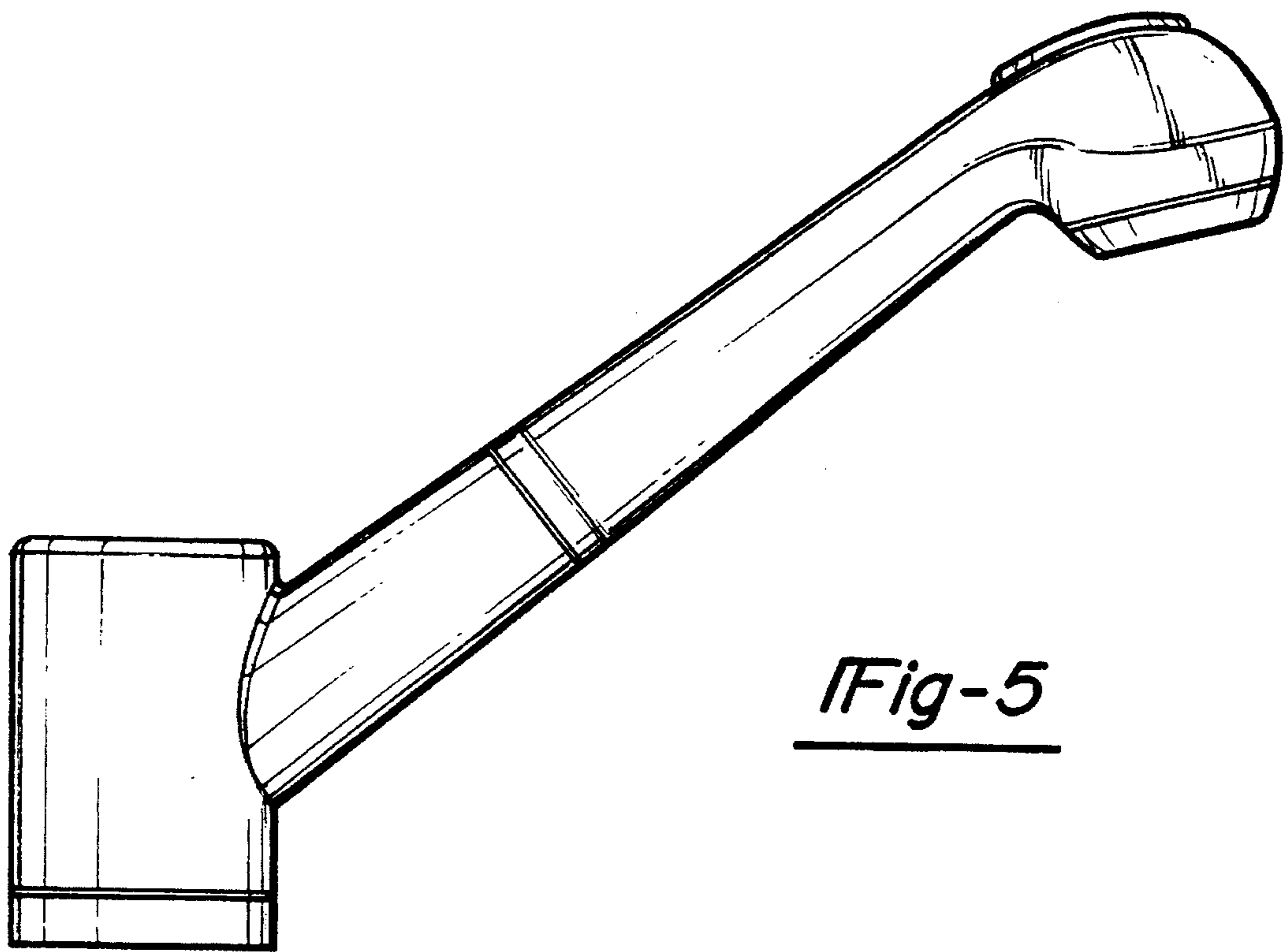


Fig-5

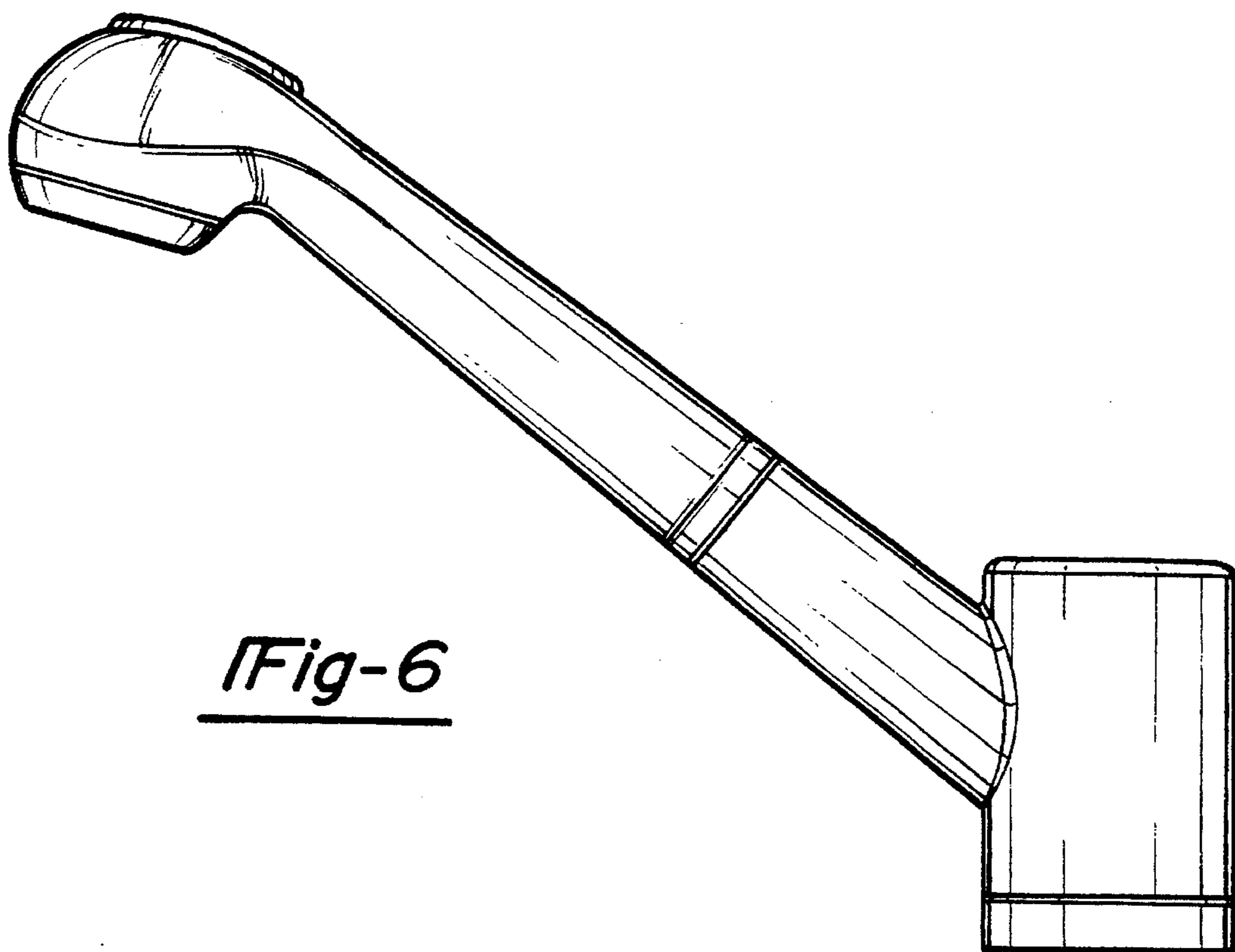


Fig-6