



US00D367699S

United States Patent [19]

Hill et al.

[11] Patent Number: **Des. 367,699**

[45] Date of Patent: ****Mar. 5, 1996**

[54] **COMBINED FAUCET BODY, SPOUT AND BASE**

3,035,612 5/1962 Lyon .
3,556,140 1/1971 Politz 4/678 X
5,090,062 2/1992 Hochstrasser 4/678

[75] Inventors: **Loran R. Hill**, Indianapolis; **Anthony G. Spangler**, Sheridan, both of Ind.

OTHER PUBLICATIONS

[73] Assignee: **Masco Corporation of Indiana**, Taylor, Mich.

Delta Full-Line Catalog, The Way Water is Brought to Life (1991).
Delta Full-Line Catalog, The Way Water is Brought to Life (1992).
Epic, Products for a Luxurious Lifestyle (1989).
Delta Full-Line Catalog p. 6 1991.

[**] Term: **14 Years**

[21] Appl. No.: **32,046**

[22] Filed: **Dec. 13, 1994**

Primary Examiner—Stella Reid
Assistant Examiner—Eric Watterson
Attorney, Agent, or Firm—Myron B. Kapustij; Malcolm L. Sutherland

Related U.S. Application Data

[63] Continuation of Ser. No. 13,931, Oct. 6, 1993, abandoned.

[52] U.S. Cl. **D23/238**

[58] Field of Search D23/238-243,
D23/250-258; 4/675-678; 137/801

[57] CLAIM

The ornamental design of a combined faucet body, spout and base, as shown and described.

[56] References Cited

DESCRIPTION

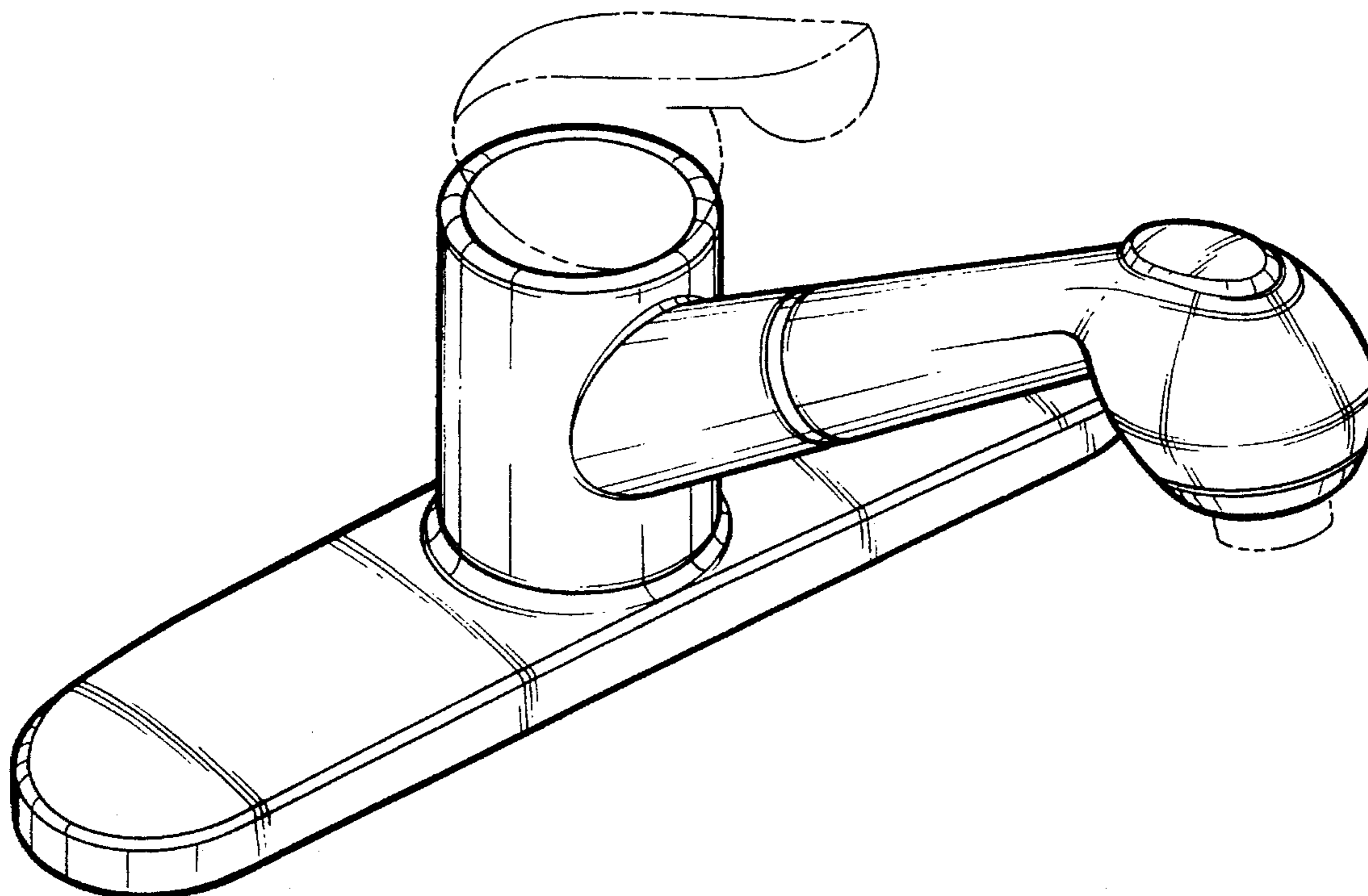
U.S. PATENT DOCUMENTS

- D. 193,885 10/1962 Andrews .
- D. 197,000 11/1963 Landell .
- D. 203,246 12/1965 Harvey et al. .
- D. 213,874 4/1969 Landell .
- D. 219,779 1/1971 Tiller .
- D. 267,582 1/1983 Mackay et al. .
- D. 290,492 6/1987 Hill et al. .
- D. 313,836 1/1991 Knopp D23/238
- D. 324,905 3/1992 Chretien D23/238
- D. 327,729 7/1992 Rogers .
- D. 332,303 1/1993 Klose .
- D. 337,810 7/1993 Bengston et al. .

FIG. 1 is a top front perspective view of a combined faucet body, spout and base showing our new design;
FIG. 2 is a top rear perspective view thereof;
FIG. 3 is a top plan view thereof;
FIG. 4 is a front elevational view thereof;
FIG. 5 is a left side elevational view thereof;
FIG. 6 is a right side elevational view thereof; and,
FIG. 7 is a rear elevational view thereof.

The broken line showings of the handle and aerator in FIG. 1 are for purposes of illustration only and form no part of the claimed design.

1 Claim, 5 Drawing Sheets



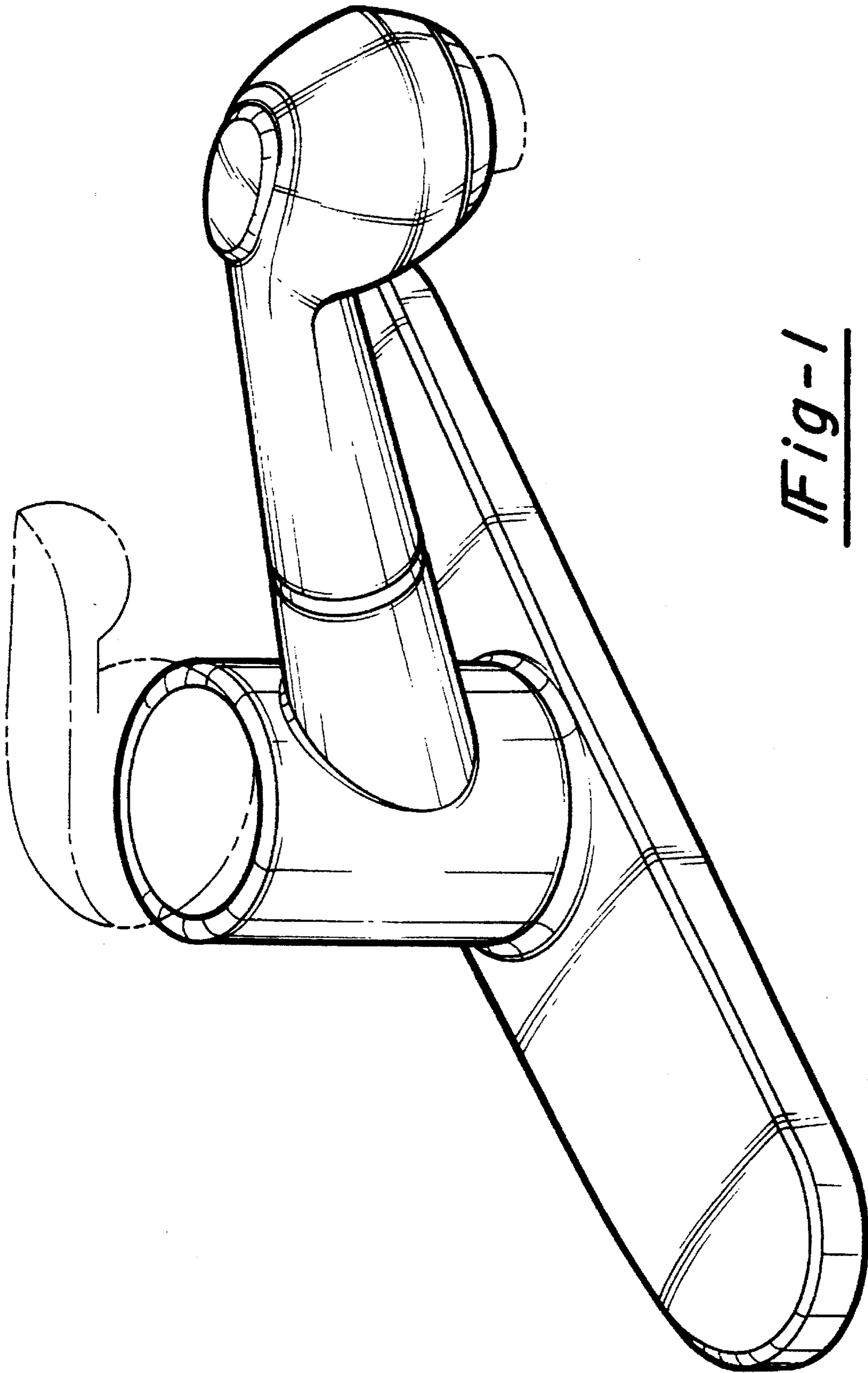


Fig-1

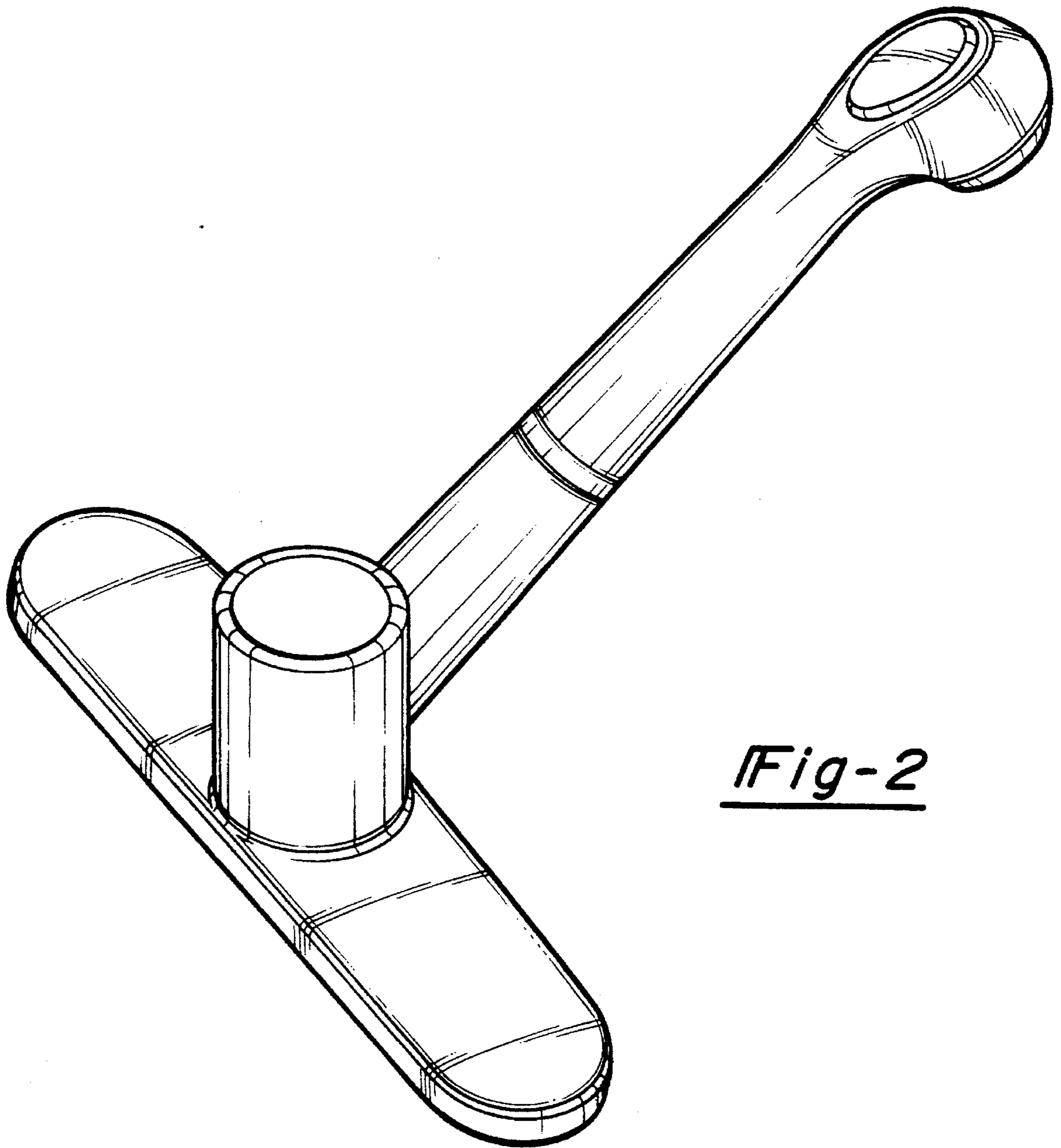


Fig-2

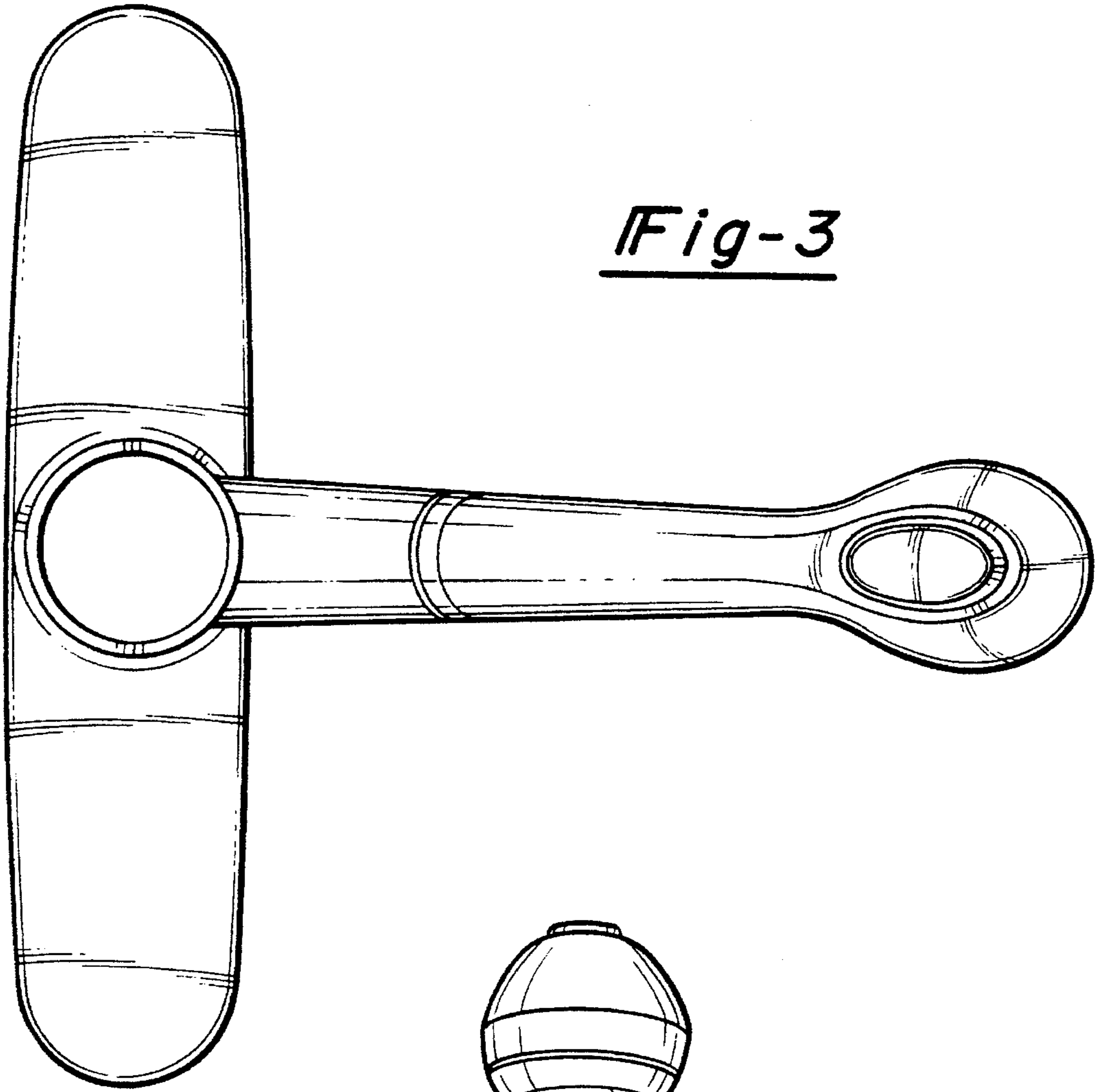


Fig-3

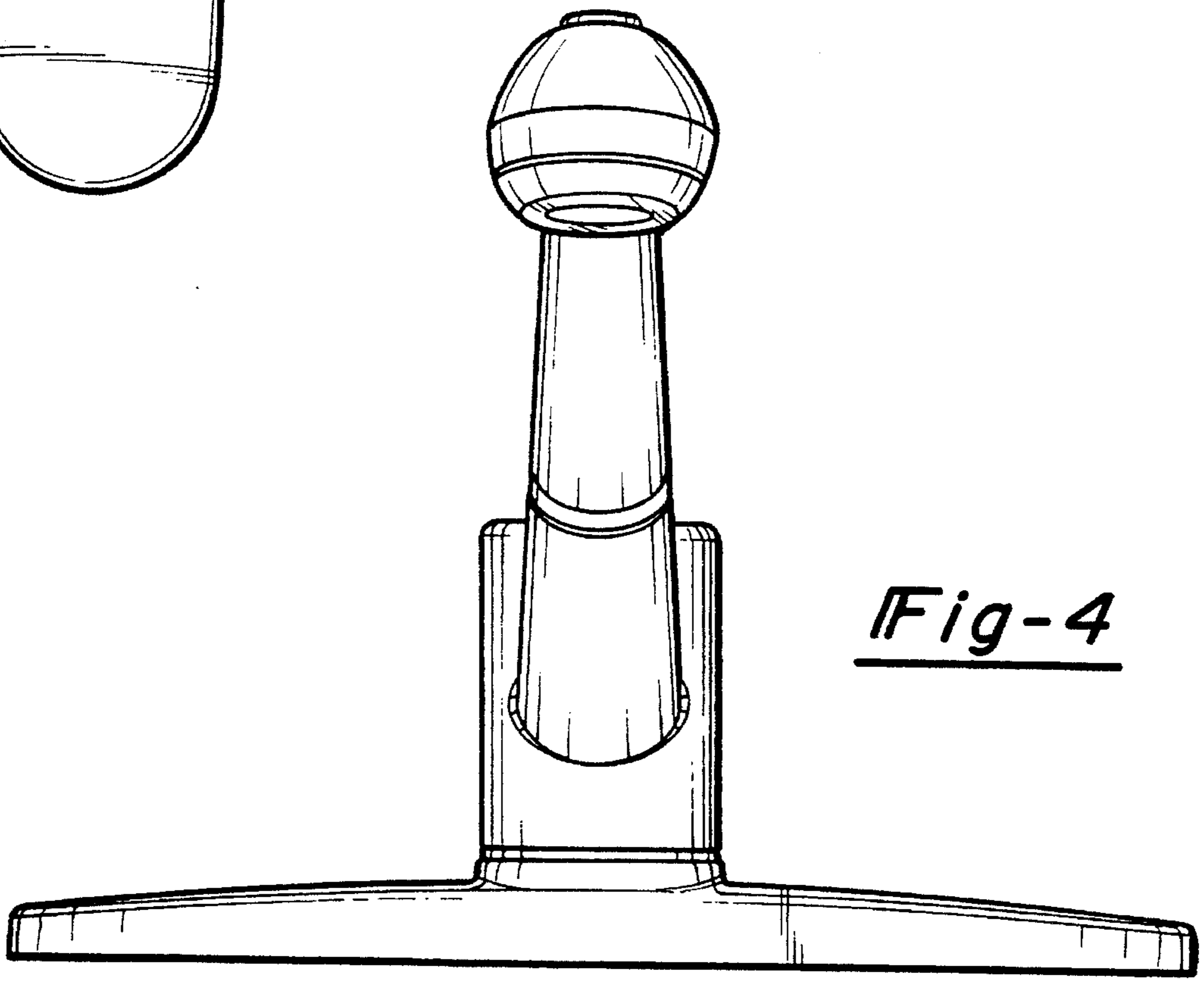


Fig-4

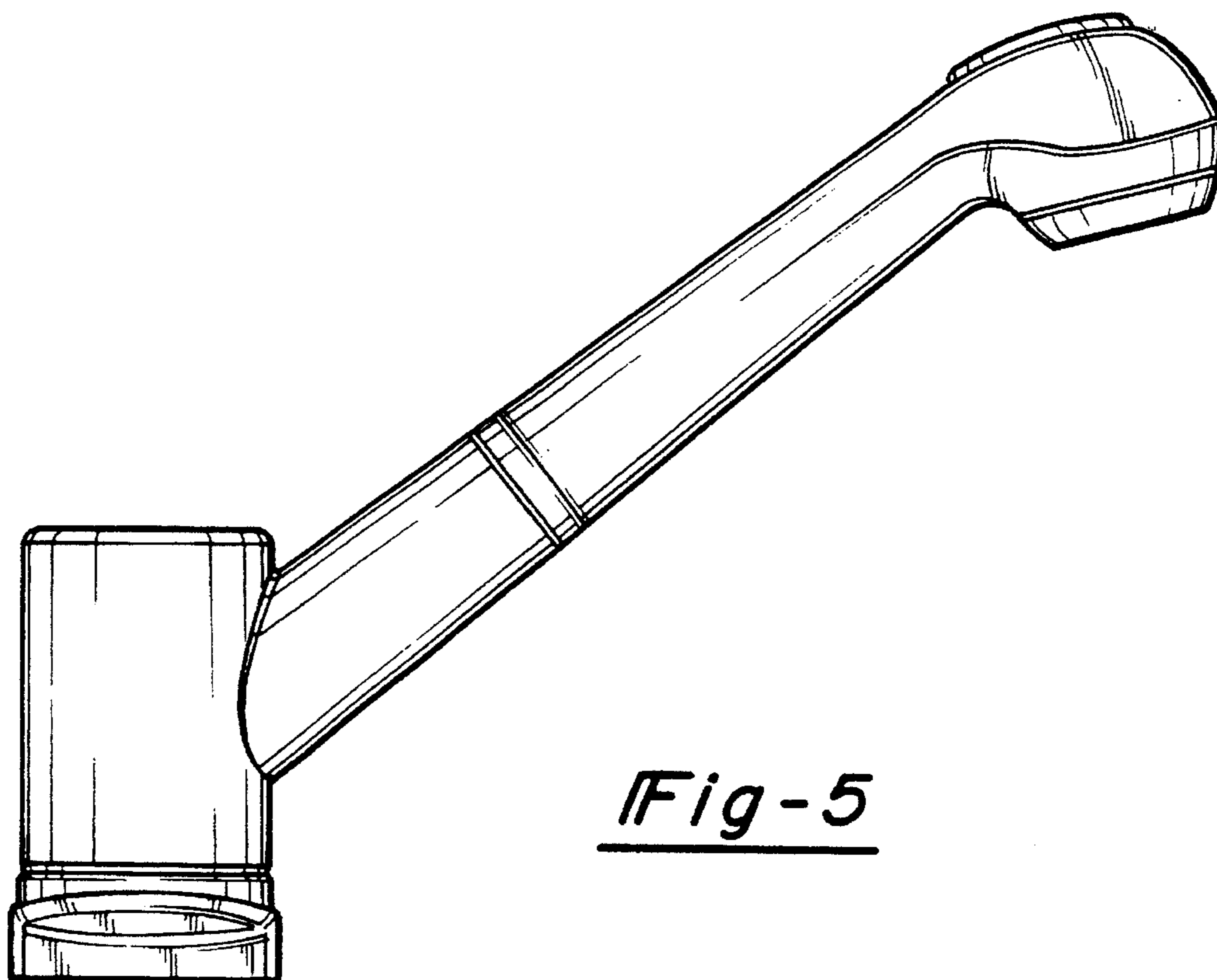


Fig-5

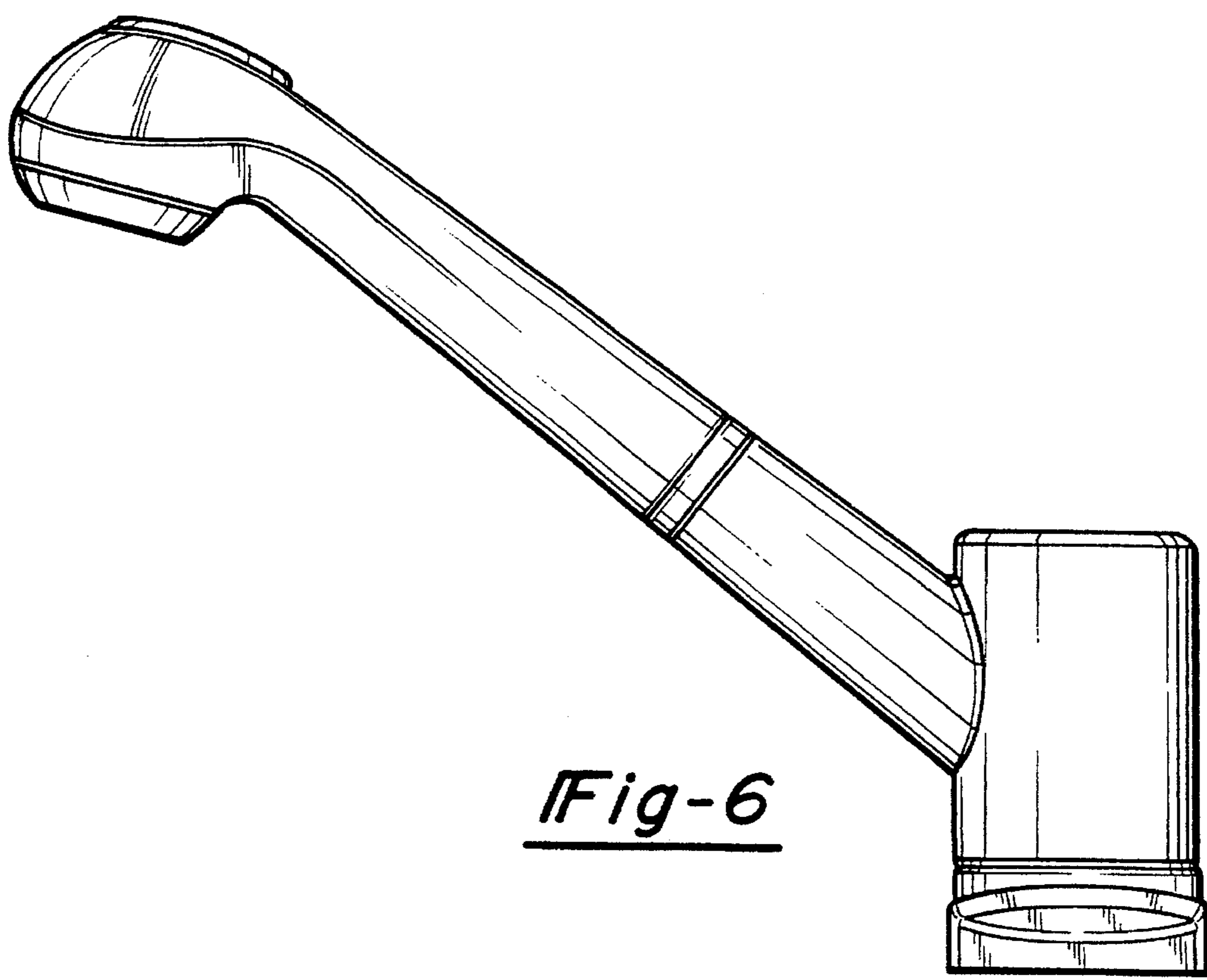


Fig-6

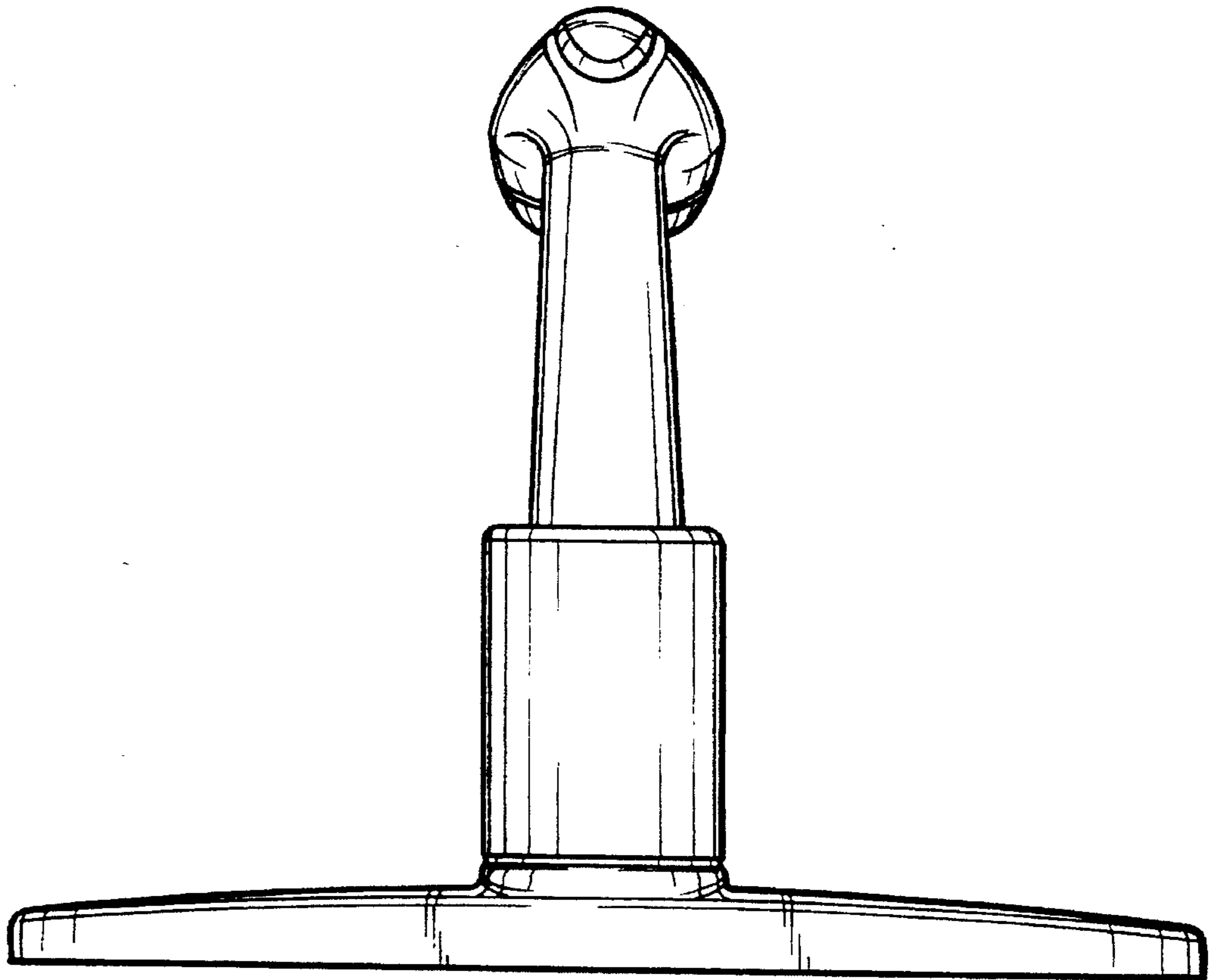


Fig-7