



US00D367698S

United States Patent [19]

[11] Patent Number: **Des. 367,698**

Haug et al.

[45] Date of Patent: ****Mar. 5, 1996**

[54] FAUCET BODY AND SPOUT

- [75] Inventors: **Andreas Haug**, Stuttgart, Germany;
Loran R. Hill, Indianapolis, Ind.;
Thomas W. Schonherr, Stuttgart,
Germany; **Anthony G. Spangler**,
Sheridan, Ind.
- [73] Assignee: **Masco Corporation of Indiana**, Taylor,
Mich.
- [**] Term: **14 Years**
- [21] Appl. No.: **31,165**
- [22] Filed: **Nov. 21, 1994**

Related U.S. Application Data

- [63] Continuation of Ser. No. 14,877, Nov. 2, 1993, abandoned.
- [52] U.S. Cl. **D23/238**
- [58] Field of Search D23/238-243,
D23/250-258; 4/675-678; 137/801

[56] References Cited

U.S. PATENT DOCUMENTS

D. 140,557	12/1944	Stanitz .	
D. 193,885	10/1962	Andrews .	
D. 197,000	11/1963	Landell .	
D. 203,246	12/1965	Harvey et al. .	
D. 213,874	4/1969	Landell	D23/238
D. 219,779	1/1971	Tiller .	
D. 253,799	1/1990	Saporito et al.	D23/243
D. 288,837	3/1987	Yost .	
D. 297,357	8/1988	Spangler .	
D. 297,358	8/1988	Hill .	
3,035,612	5/1962	Lyon .	
3,202,181	8/1965	West	D23/238 X
4,804,010	2/1989	Meissenburg	4/675 X

OTHER PUBLICATIONS

- Sweet's Catalog File (1977).
- Delta Full Line Catalog—The Way Water is Brought to Life.
Kohler pp. 3-36 (Admitted Prior Art).
- Delta Full Line Price List (Admitted Prior Art).
- Euroexclusive: Euromodular (Admitted Prior Art).
- Delta HDF Catalog (Commercial Products) (Admitted Prior
Art).
- Best (Admitted Prior Art).
- Moen—Enduring Elegance (Admitted Prior Art).
- Delta Full Line Catalog—Living with Classics (Admitted
Prior Art).

Primary Examiner—Stella Reid
Assistant Examiner—Eric Watterson
Attorney, Agent, or Firm—Myron B. Kapustij; Malcolm L.
Sutherland

[57] CLAIM

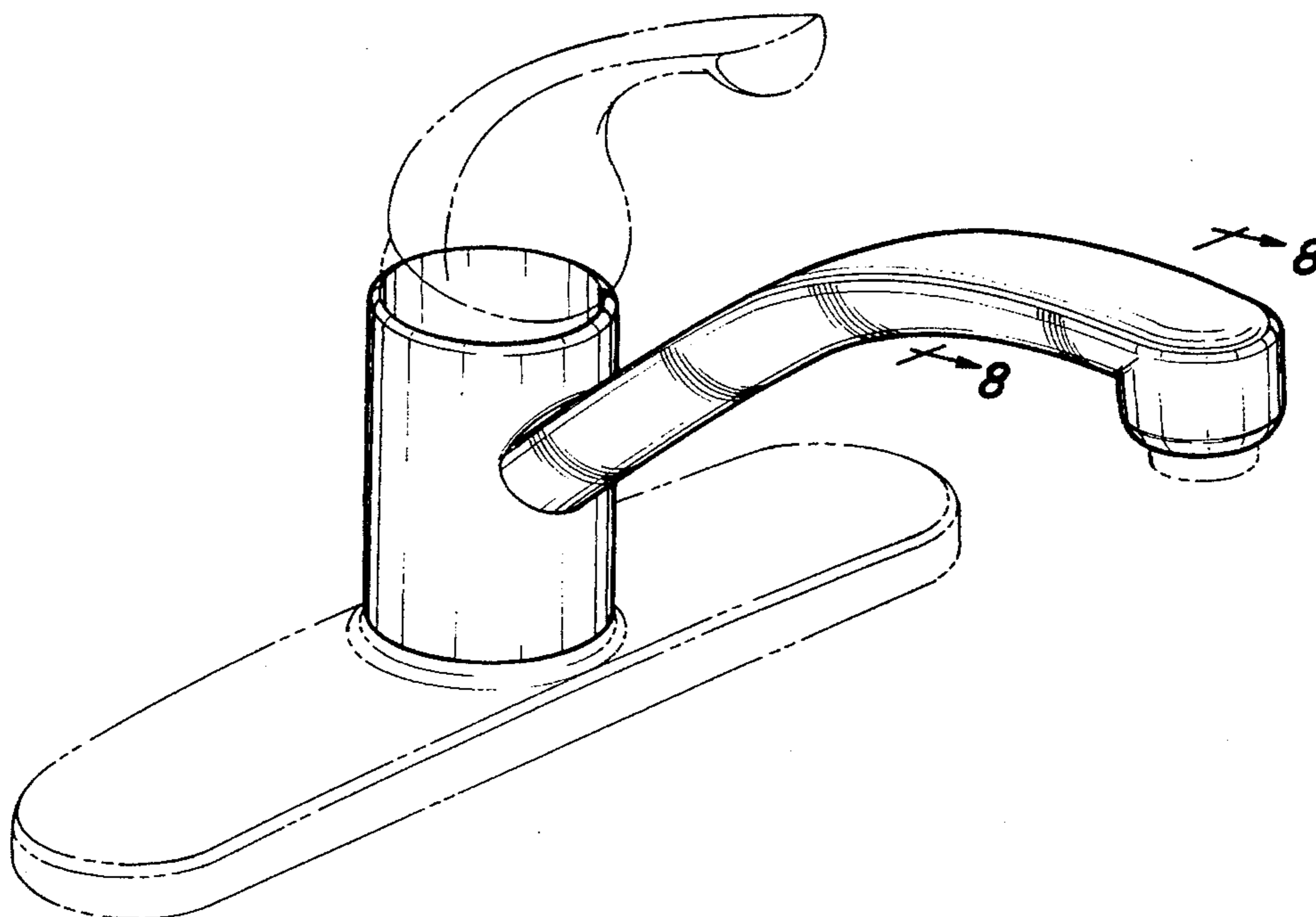
The ornamental design of a combined faucet body and spout, as shown and described.

DESCRIPTION

FIG. 1 is a front perspective view of a combined faucet body and spout showing our new design;
FIG. 2 is a rear perspective view thereof;
FIG. 3 is a top plan view thereof;
FIG. 4 is a front elevational view thereof;
FIG. 5 is a left side elevational view thereof;
FIG. 6 is right side elevational view thereof;
FIG. 7 is a rear elevational view thereof; and,
FIG. 8 is a cross-sectional view of the spout taken along line 8—8 in FIG. 1.

The broken line showings of the base handle and aerator in FIG. 1 for are purposes of illustration only and form no part of the claimed design.

1 Claim, 4 Drawing Sheets



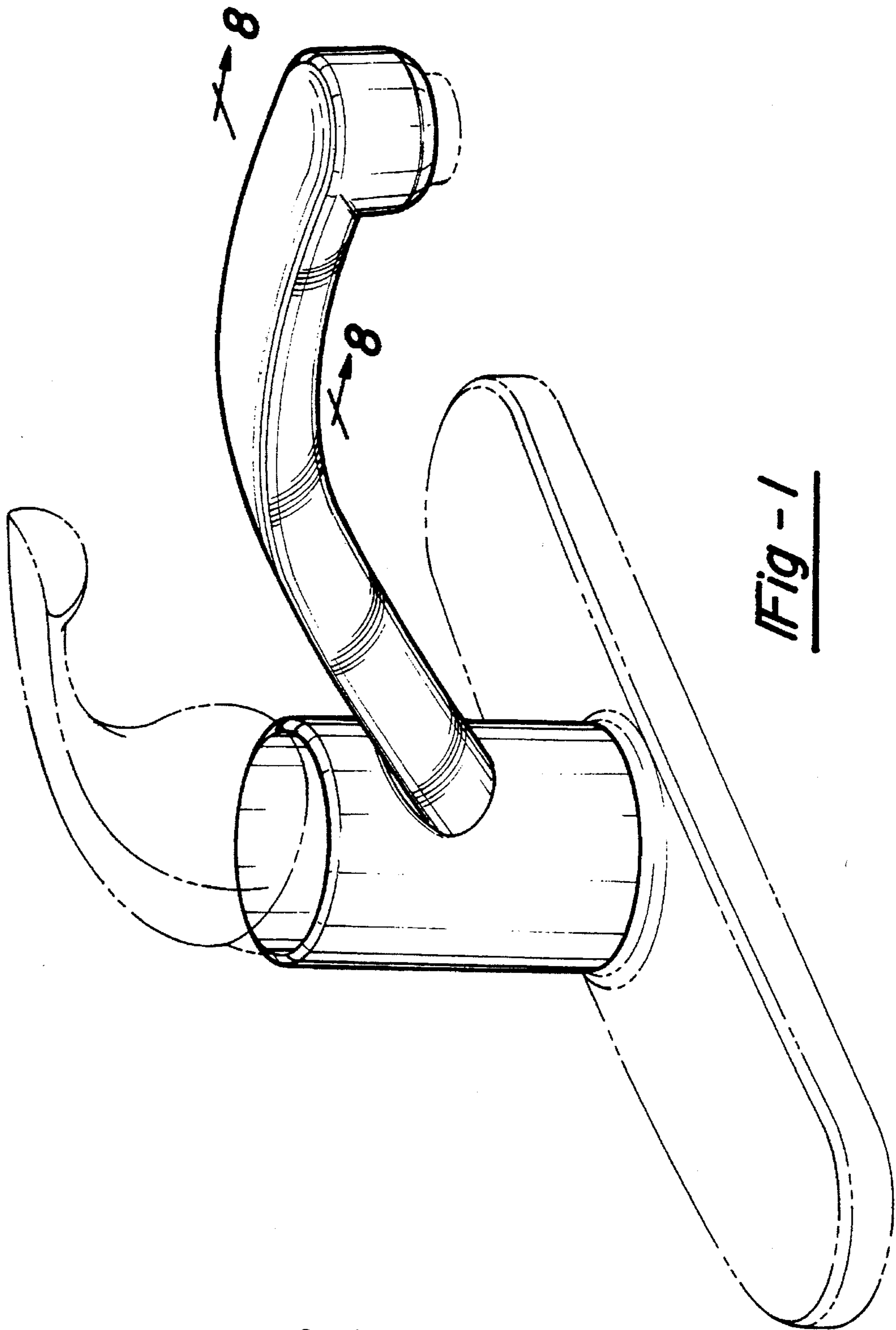


Fig - 1

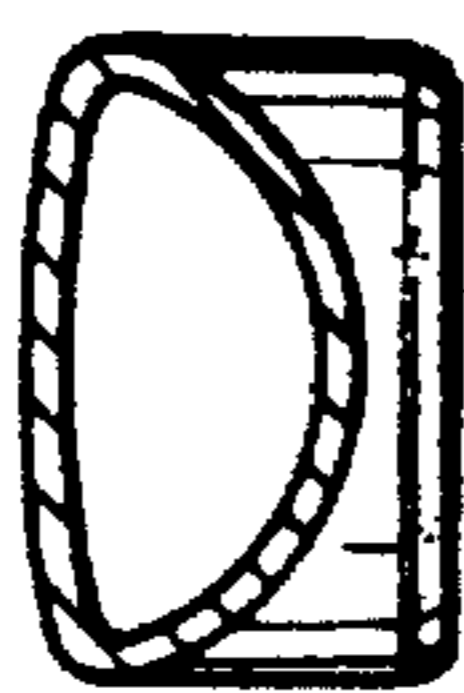


Fig - 8

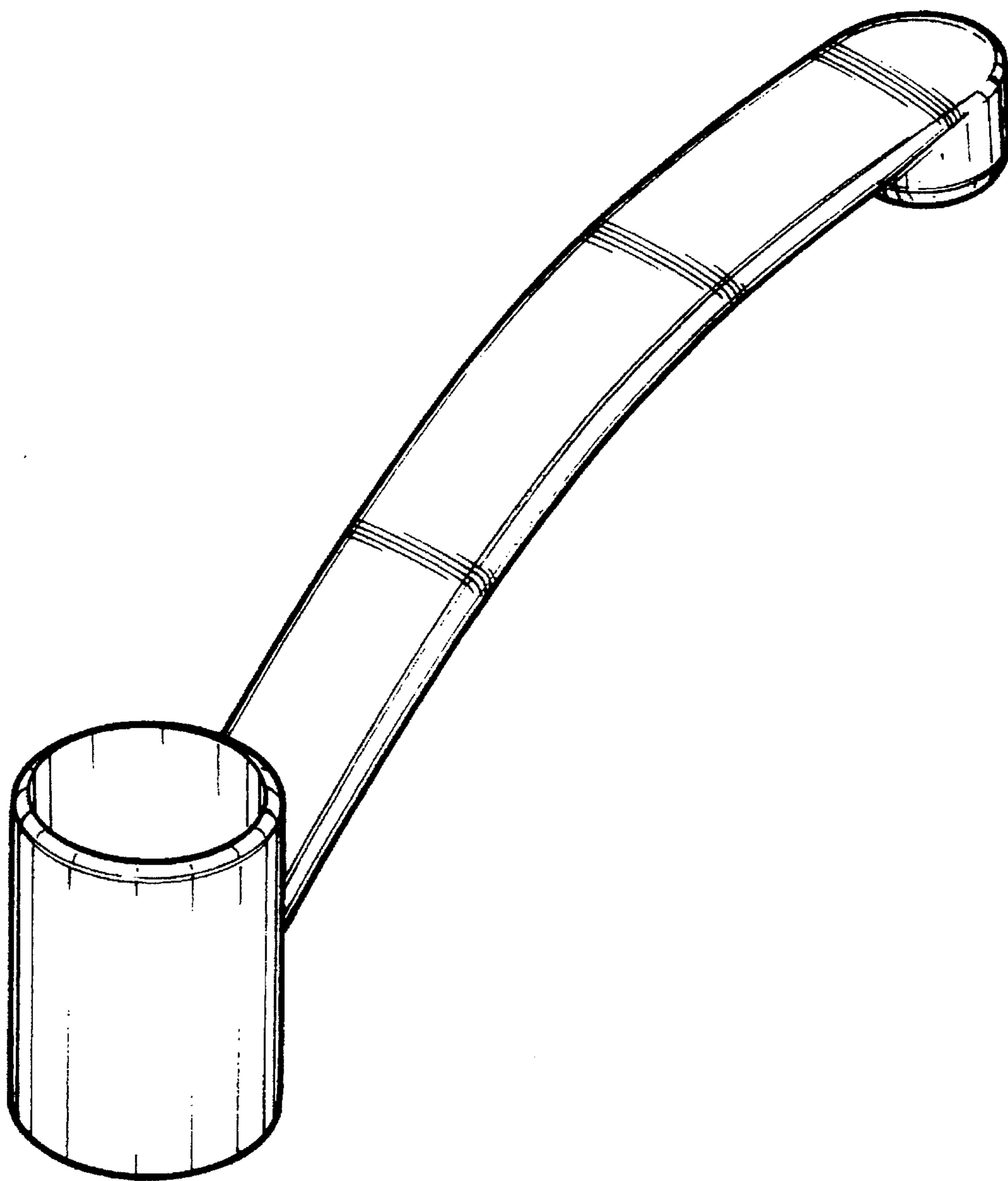


Fig - 2

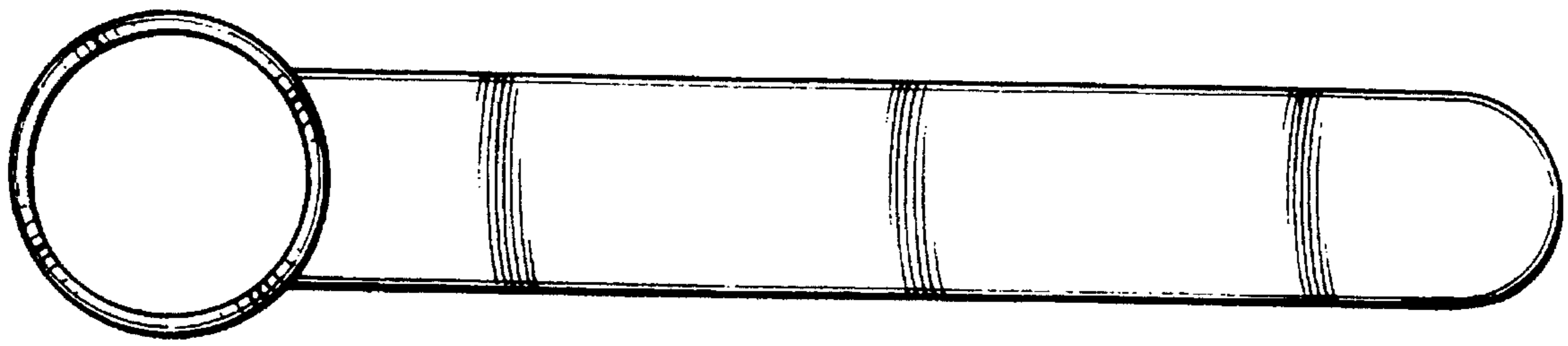


Fig-3

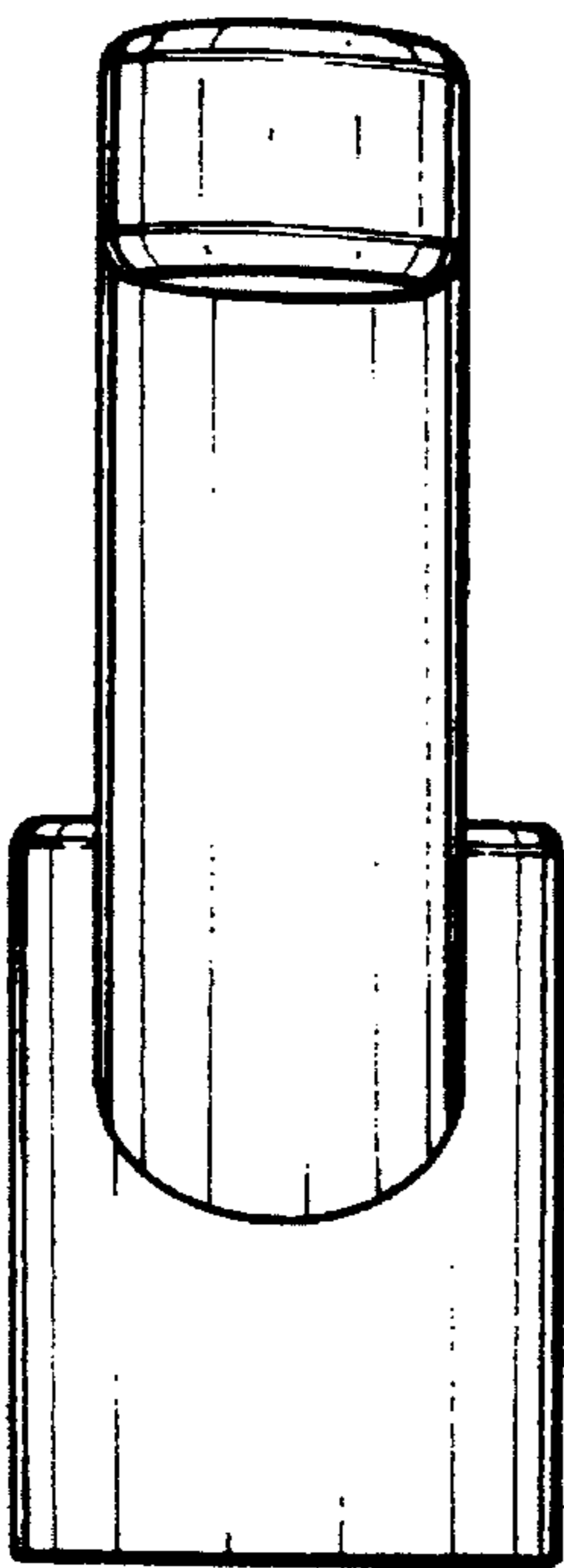


Fig-4

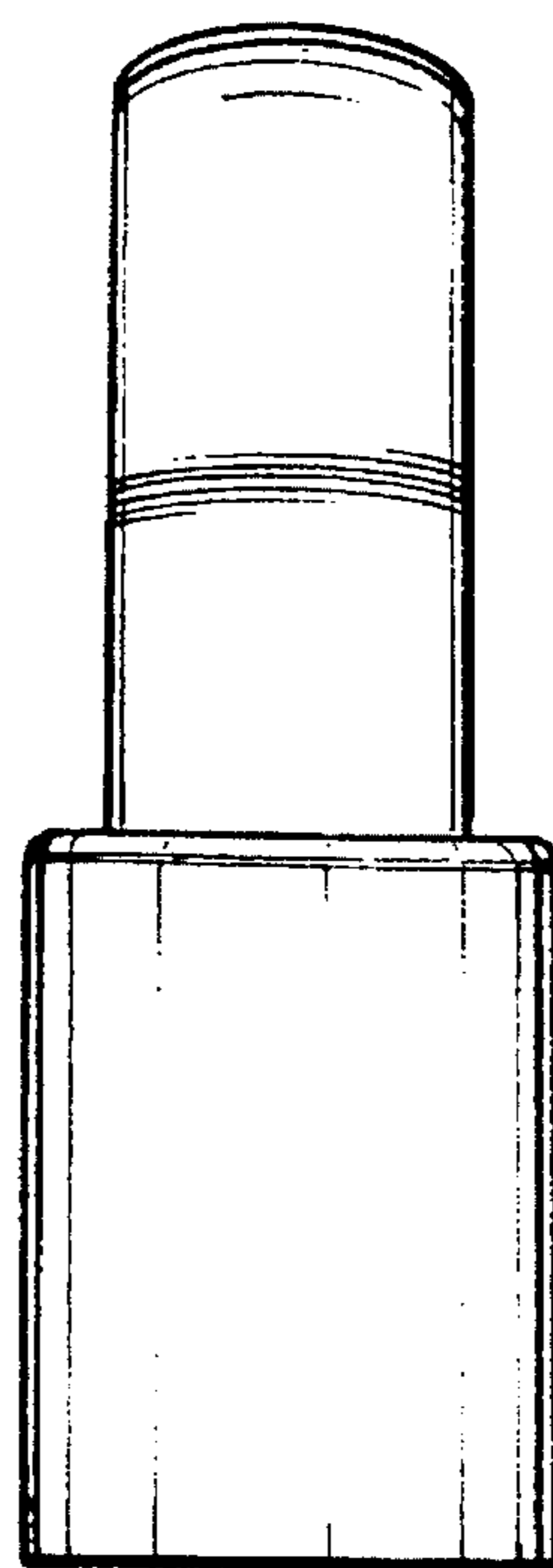


Fig-7

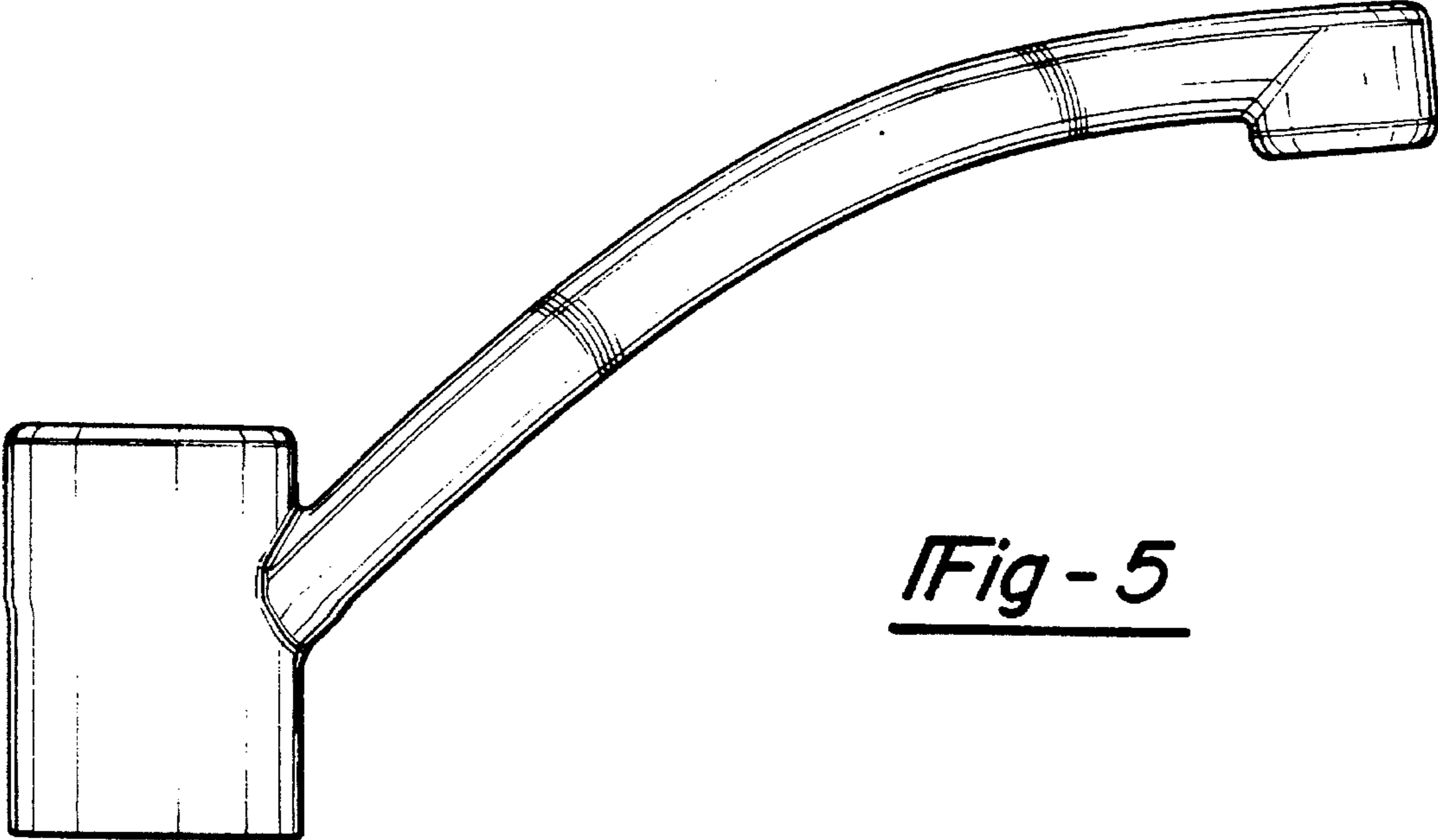


Fig - 5

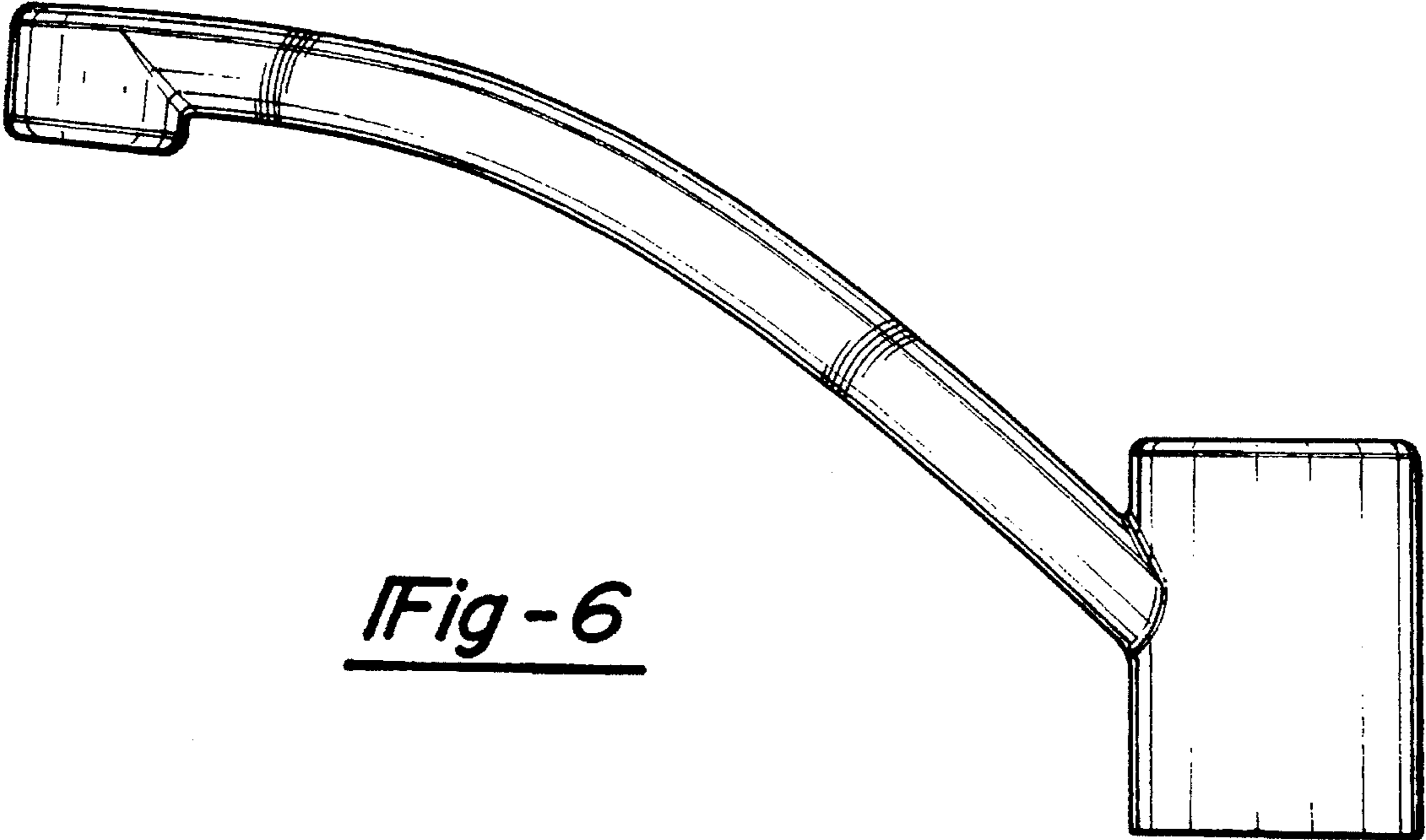


Fig - 6