



US00D367697S

# United States Patent [19]

[11] Patent Number: **Des. 367,697**

Haug et al.

[45] Date of Patent: **\*\*Mar. 5, 1996**

[54] FAUCET

### OTHER PUBLICATIONS

[75] Inventors: **Andreas Haug**, Stuttgart, Germany;  
**Loran R. Hill**, Indianapolis, Ind.;  
**Thomas W. Schonherr**, Stuttgart,  
Germany; **Anthony G. Spangler**,  
Sheridan, Ind.

Sweet's Catalog File (1977).  
Delta Full Line Catalog—The Way Water is Brought to Life.  
Delta Full Line Price List.  
Delta HDF Commercial Products Catalog Delta Full Line  
Catalog.  
Best (Admitted Prior Art).  
Moen—Enduring Elegance (Admitted Prior Art).  
Delta Full Line Catalog—Living with Classics (Admitted  
Prior Art).  
Kohler pp. 3–36 (Admitted Prior Art).

[73] Assignee: **Masco Corporation of Indiana**, Taylor,  
Mich.

[\*\*] Term: **14 Years**

*Primary Examiner*—Stella Reid  
*Assistant Examiner*—Eric Watterson  
*Attorney, Agent, or Firm*—Myron B. Kapustij; Malcolm L.  
Sutherland

[21] Appl. No.: **31,164**

[22] Filed: **Nov. 21, 1994**

### Related U.S. Application Data

[63] Continuation of Ser. No. 14,878, Nov. 2, 1993, abandoned.

[52] U.S. Cl. .... **D23/238**

[58] Field of Search ..... D23/238–243,  
D23/255–258, 250–254; 4/675–678; 137/807

### [57] CLAIM

The ornamental design for a faucet, as shown and described.

### [56] References Cited

### DESCRIPTION

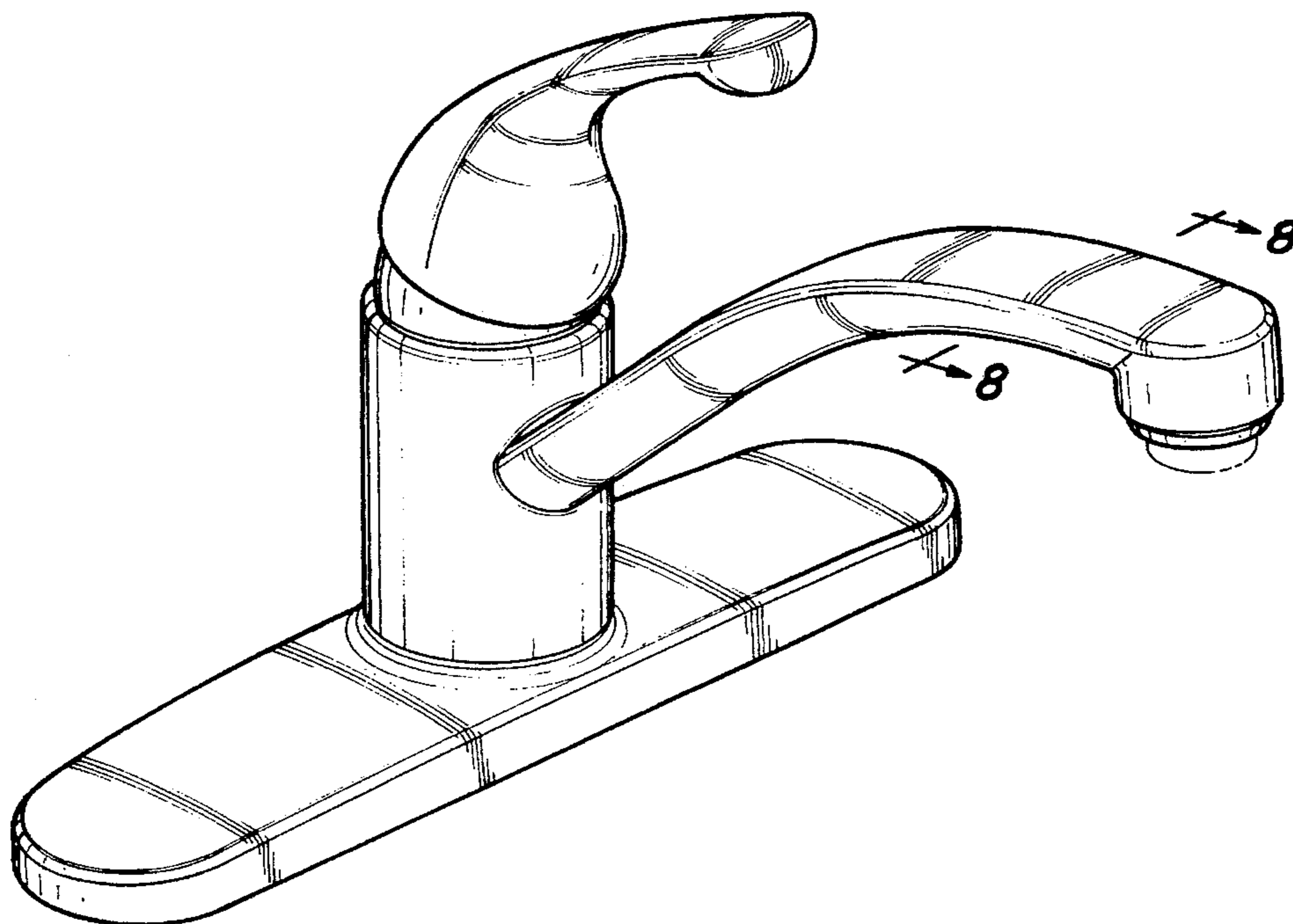
#### U.S. PATENT DOCUMENTS

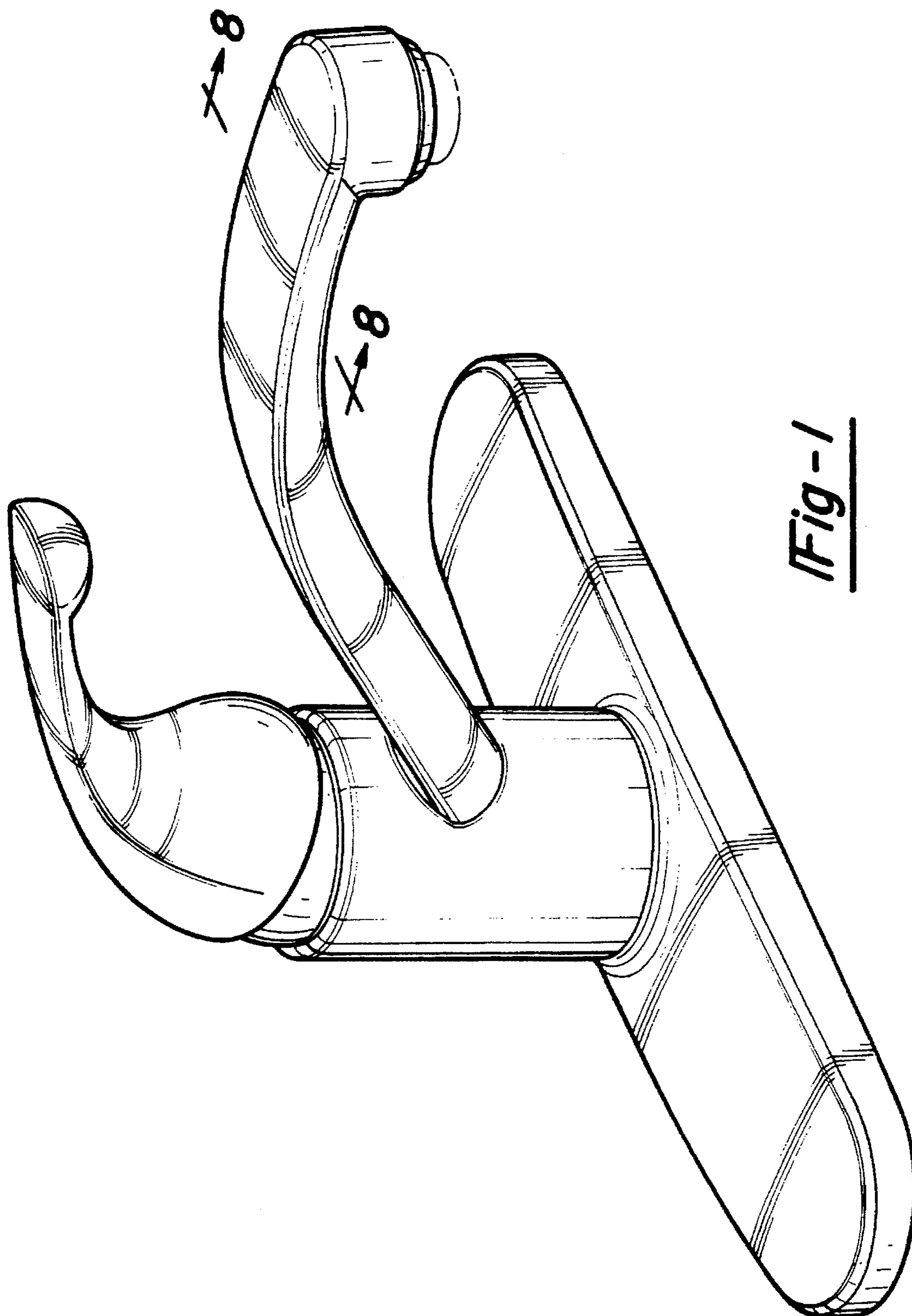
D. 140,557	12/1944	Stanitz .	
D. 193,885	10/1962	Andrews .	
D. 197,000	11/1963	Landell .	
D. 203,246	12/1965	Harvey et al. .	
D. 213,874	4/1969	Landell .....	D23/238
D. 219,779	1/1971	Tiller .	
D. 253,799	1/1988	Saporito et al. ....	D23/243
D. 297,357	8/1988	Spangler .	
D. 297,358	8/1988	Hill .	
3,035,612	5/1962	Lyon .	
3,202,181	8/1965	West .....	D23/238 X
4,804,010	2/1989	Meissenburg .....	4/675 X

FIG. 1 is a top front perspective view of a faucet showing  
our new design;  
FIG. 2 is a top rear perspective view thereof;  
FIG. 3 is a top plan view thereof;  
FIG. 4 is a front elevational view thereof;  
FIG. 5 is a left side elevational view thereof;  
FIG. 6 is a right side elevational view thereof;  
FIG. 7 is a rear elevational view thereof; and,  
FIG. 8 is a cross-sectional view of the spout of the faucet  
taken along line 8—8 in FIG. 1.

The broken line showing of an aerator in FIG. 1 is for  
purposes of illustration only and forms no part of the  
claimed design.

**1 Claim, 5 Drawing Sheets**





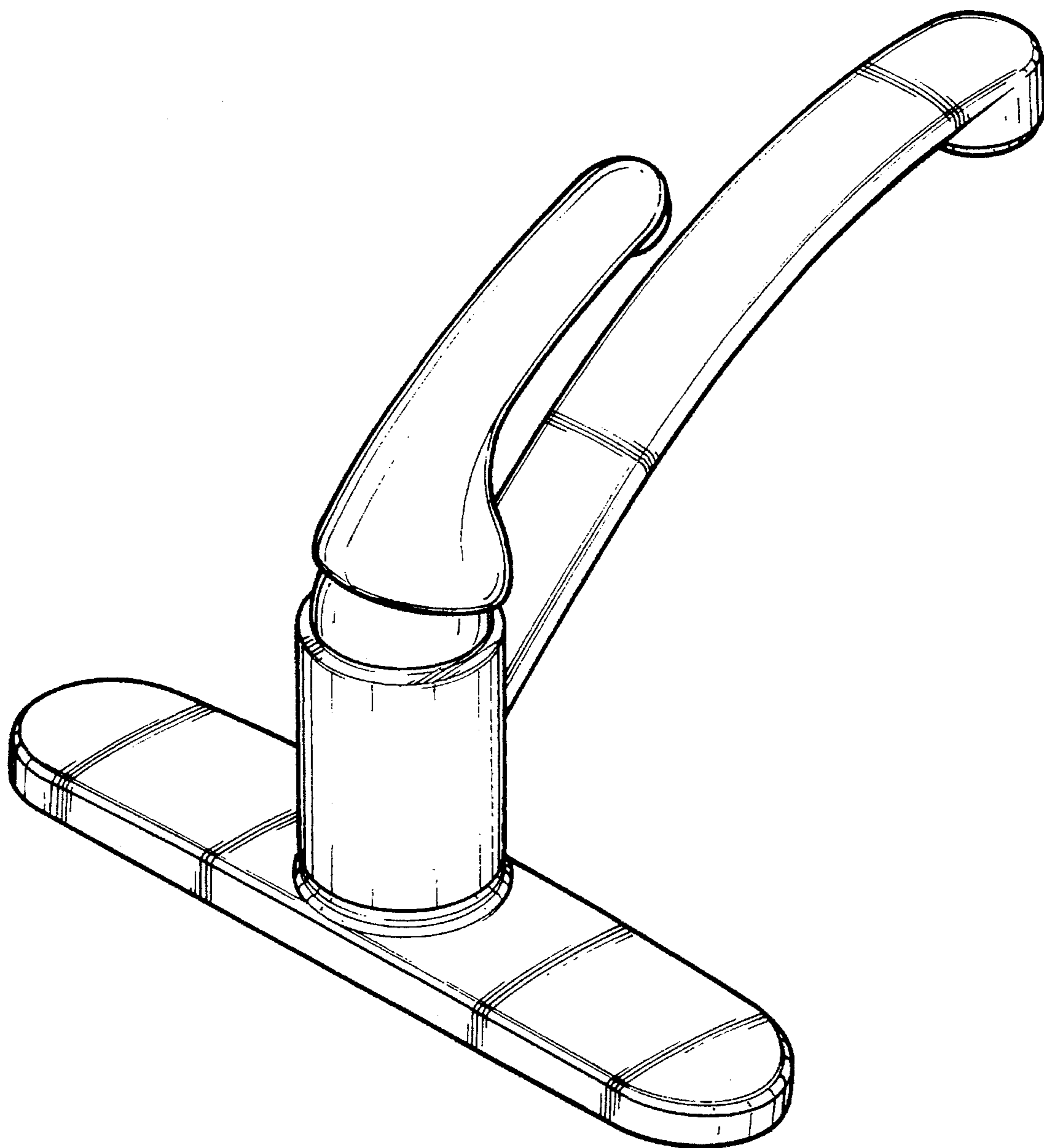


Fig-2

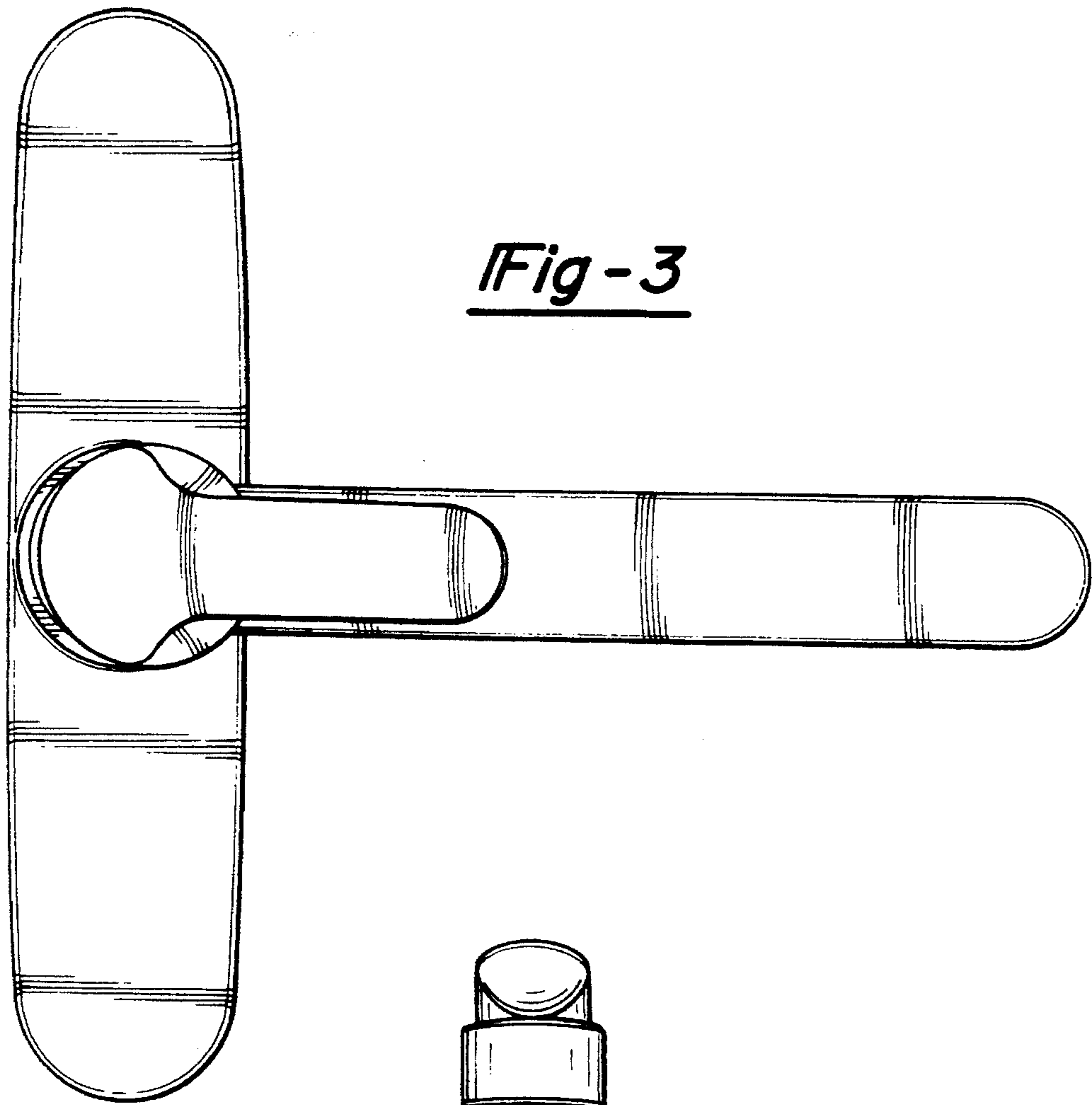


Fig - 3

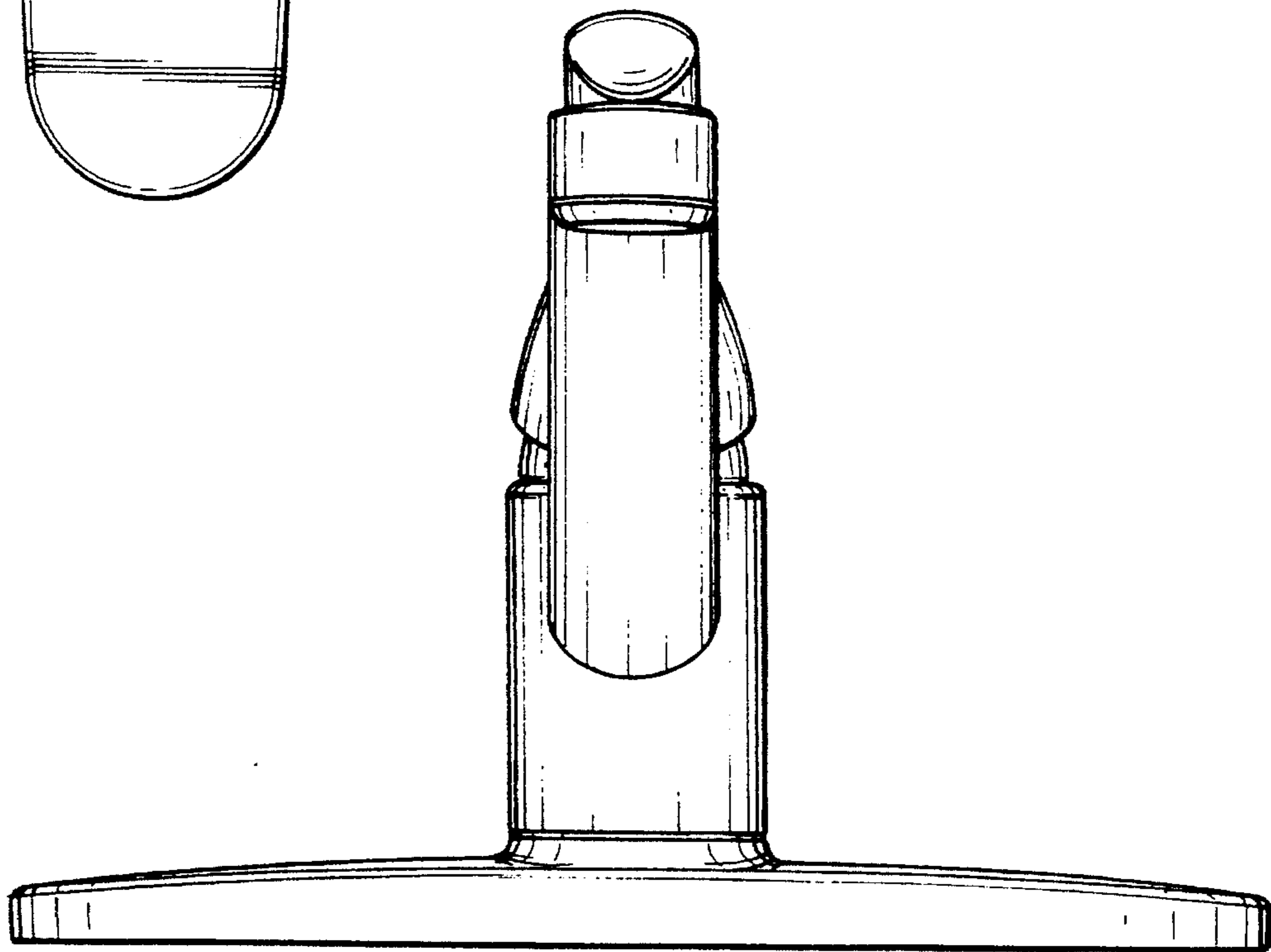


Fig - 4

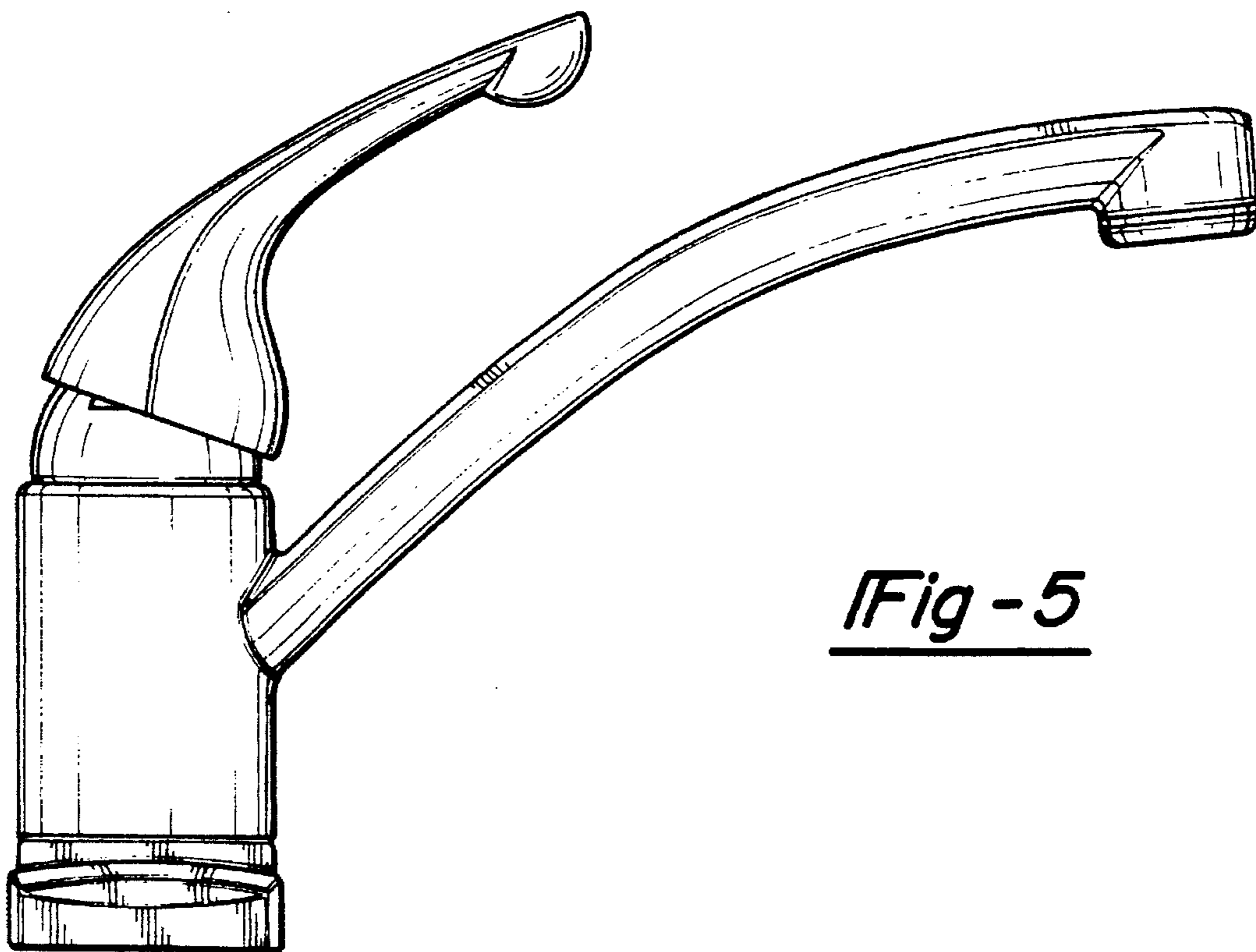


Fig - 5

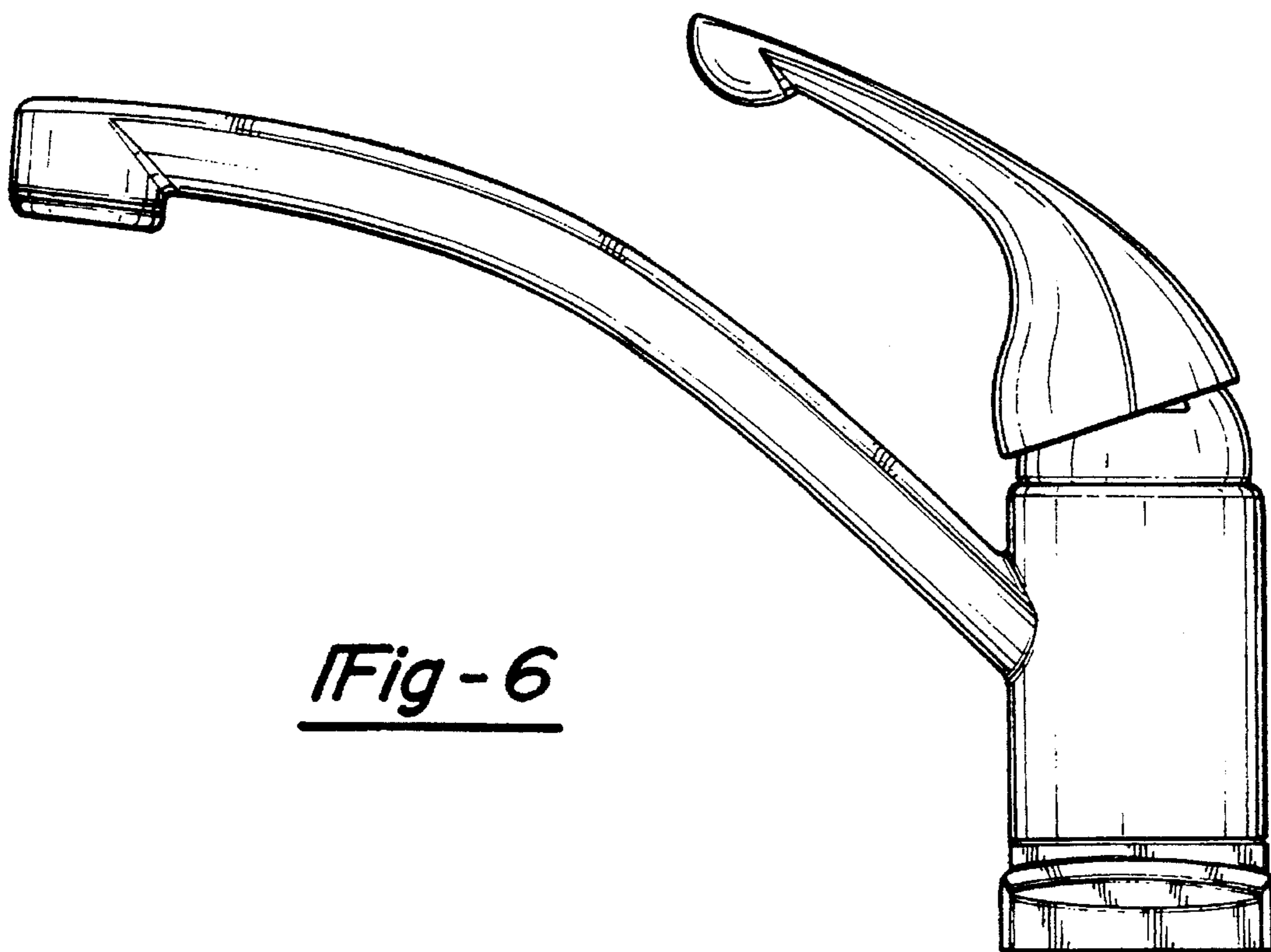


Fig - 6

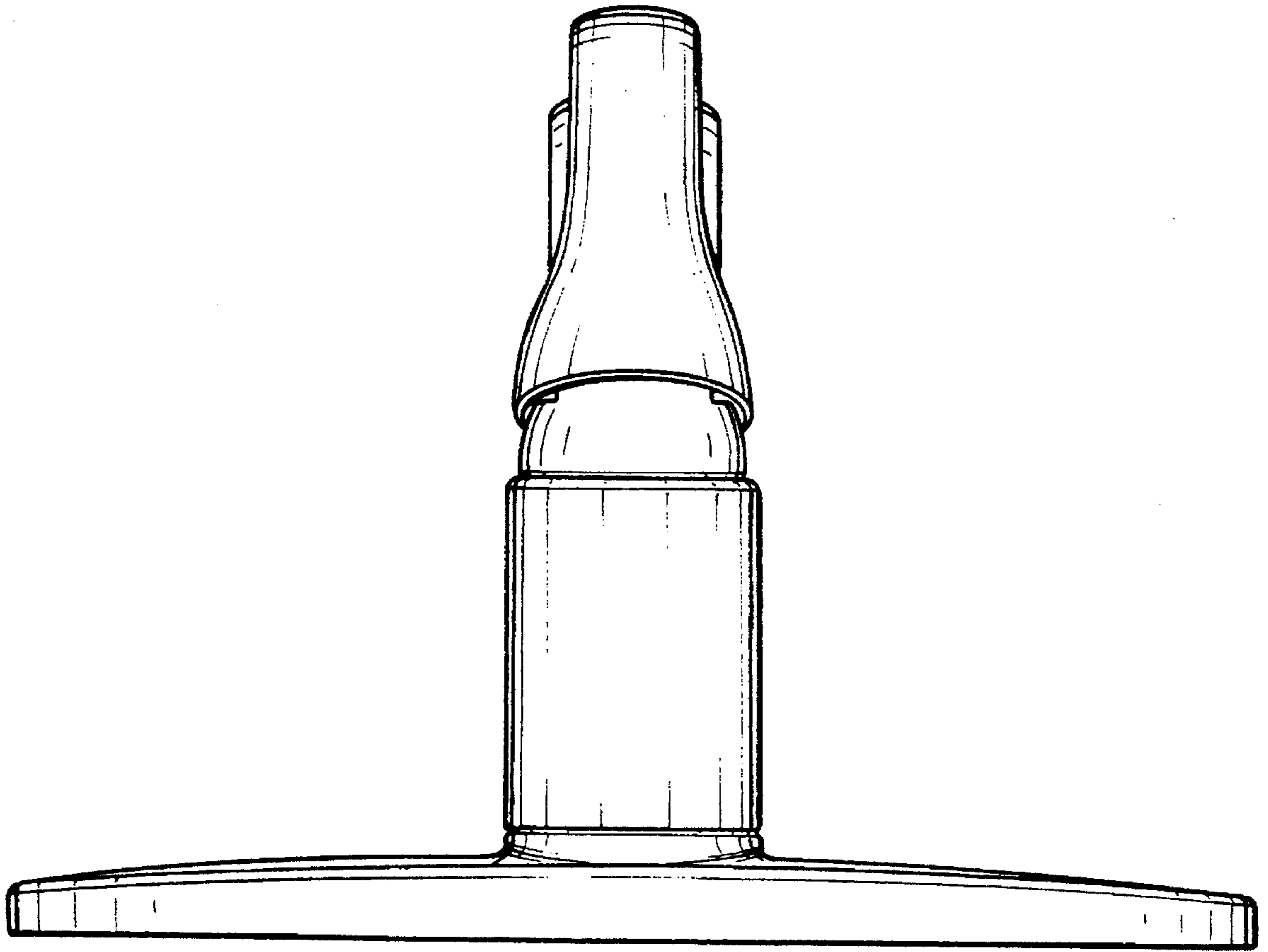


Fig - 7

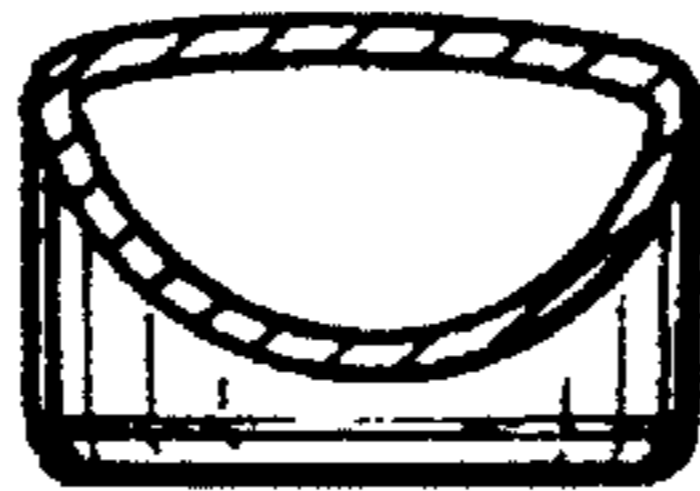


Fig - 8