



US00D367694S

**United States Patent** [19]  
**van Huystee**

[11] **Patent Number:** **Des. 367,694**  
[45] **Date of Patent:** **\*\*Mar. 5, 1996**

- [54] **ACTIVITY SAND CASTLE GYM**
- [75] Inventor: **Maarten van Huystee**, East Aurora, N.Y.
- [73] Assignee: **Fisher-Price, Inc.**, East Aurora, N.Y.
- [\*\*] Term: **14 Years**
- [21] Appl. No.: **27,334**
- [22] Filed: **Aug. 19, 1994**
- [52] U.S. Cl. .... **D21/244**
- [58] **Field of Search** ..... **D21/240-245,**  
D21/114, 109; 472/116, 117; 482/35-37;  
446/476, 487

Little Tikes: Toys That Last, 1994, "Tike Treehouse", p. 58.  
 Today's Kids Wish Book, 1994, "Play'N Fold Clubhouse", p. 3.  
 Step Two: A Step Beyond, 1994, "First Climber", p. 4.  
 Step Two: A Step Beyond, 1994, "Combo Climber", p. 5.  
 Step Two: A Step Beyond, 1994, "Crabbie Sandbox", p. 26.  
 Step Two: A Step Beyond, 1994, "Tuggy Sandbox and Splasher", p. 27.  
 Step Two: A Step Beyond, 1994, "Mushroom Climber", p. 28.  
 Step Two: A Step Beyond, 1994, "Big Climber", p. 29.  
 Flexible Flyer, "Castle Sandbox", p. 3.

*Primary Examiner*—Ted Shooman  
*Assistant Examiner*—Mitchell I. Siegel  
*Attorney, Agent, or Firm*—Howrey & Simon; C. Scott Talbot; Jennifer M. Hall

[56] **References Cited**

**U.S. PATENT DOCUMENTS**

D. 303,826	10/1989	Aker .....	D21/244
D. 330,743	11/1992	Mercer .....	D21/244
D. 333,328	2/1993	Aker et al. ....	D21/114
D. 334,610	4/1993	Aker .....	D21/244
D. 340,099	10/1993	Warren et al. ....	D21/243
D. 343,438	1/1994	Fish, Jr. ....	D21/244
D. 344,773	3/1994	Aker et al. ....	D21/244
3,485,494	12/1969	Lieberman .	
4,369,965	1/1983	Ahrens .	

**OTHER PUBLICATIONS**

Little Tikes: Toys That Last, 1994, "Turtle Sandbox", p. 51.  
 Little Tikes: Toys That Last, 1994, "Dinosaur Sandbox", p. 51.  
 Little Tikes: Toys That Last, 1994, "Castle", p. 56.

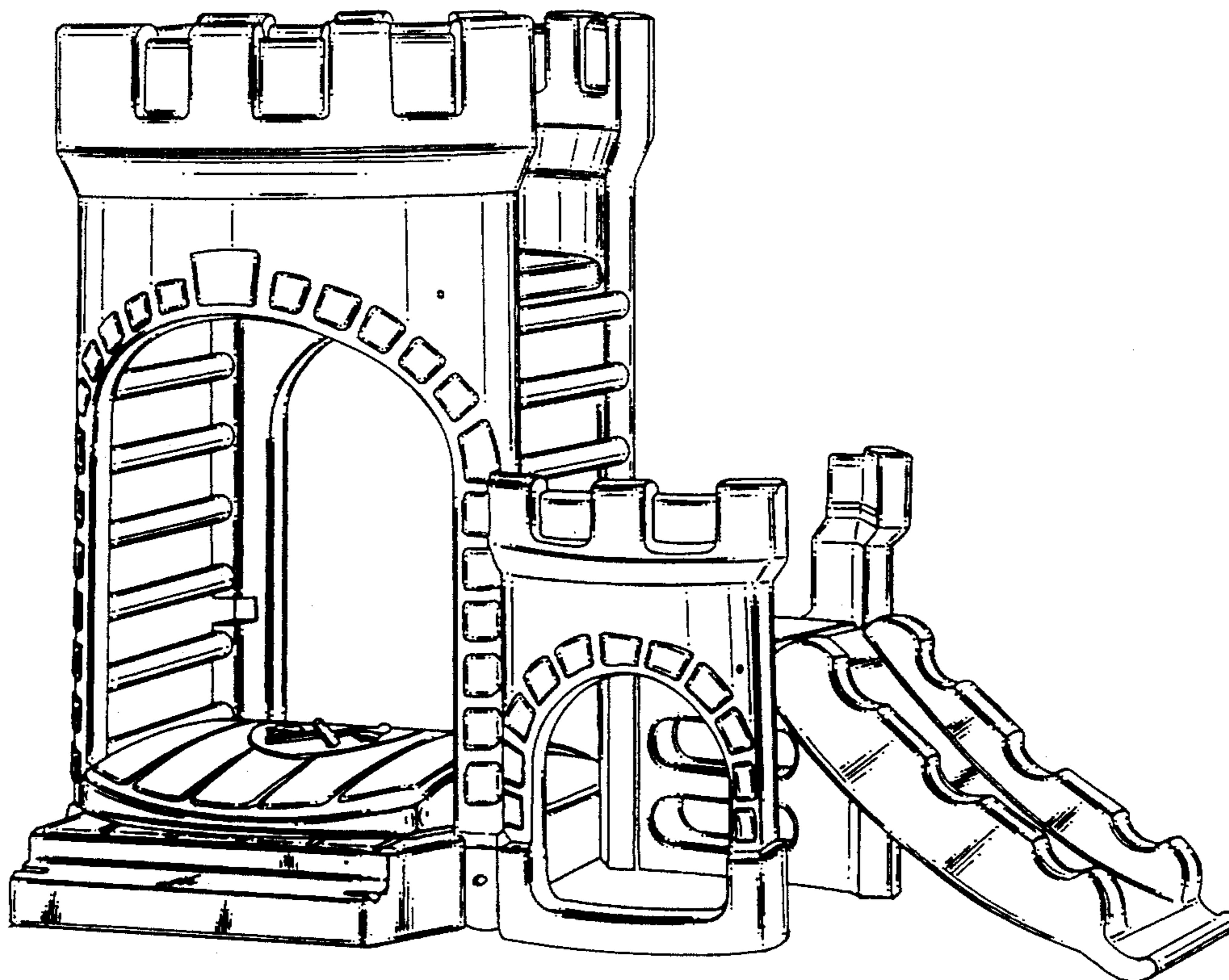
[57] **CLAIM**

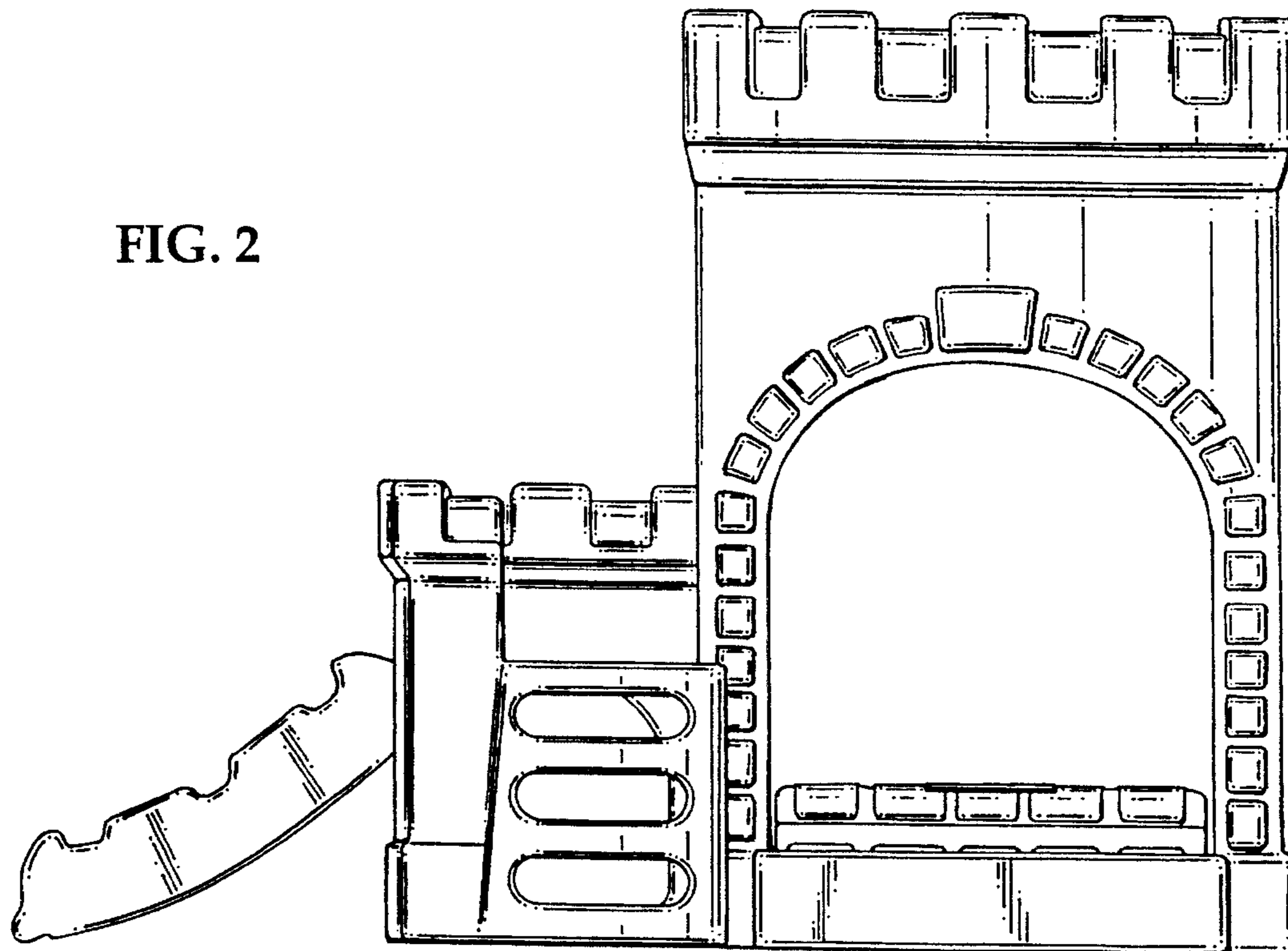
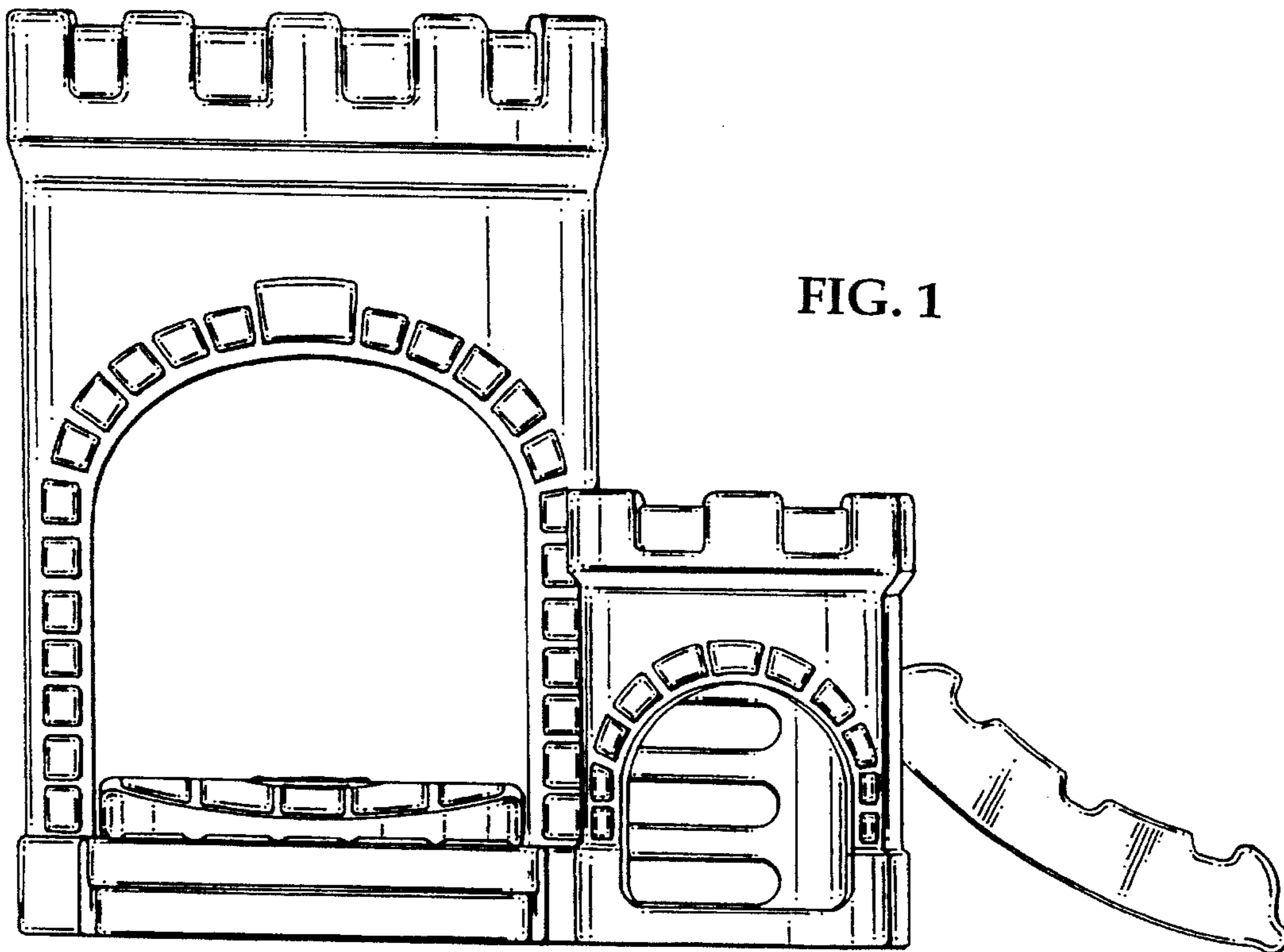
The ornamental design for a activity sand castle gym, as shown and described.

**DESCRIPTION**

FIG. 1 is a front elevational view of an activity sand castle gym showing my new design;  
 FIG. 2 is a rear elevational view thereof;  
 FIG. 3 is a top plan view thereof;  
 FIG. 4 is a bottom plan view thereof;  
 FIG. 5 is a right side elevational view thereof;  
 FIG. 6 is a left side elevational view thereof; and,  
 FIG. 7 is a top perspective view thereof.

**1 Claim, 4 Drawing Sheets**





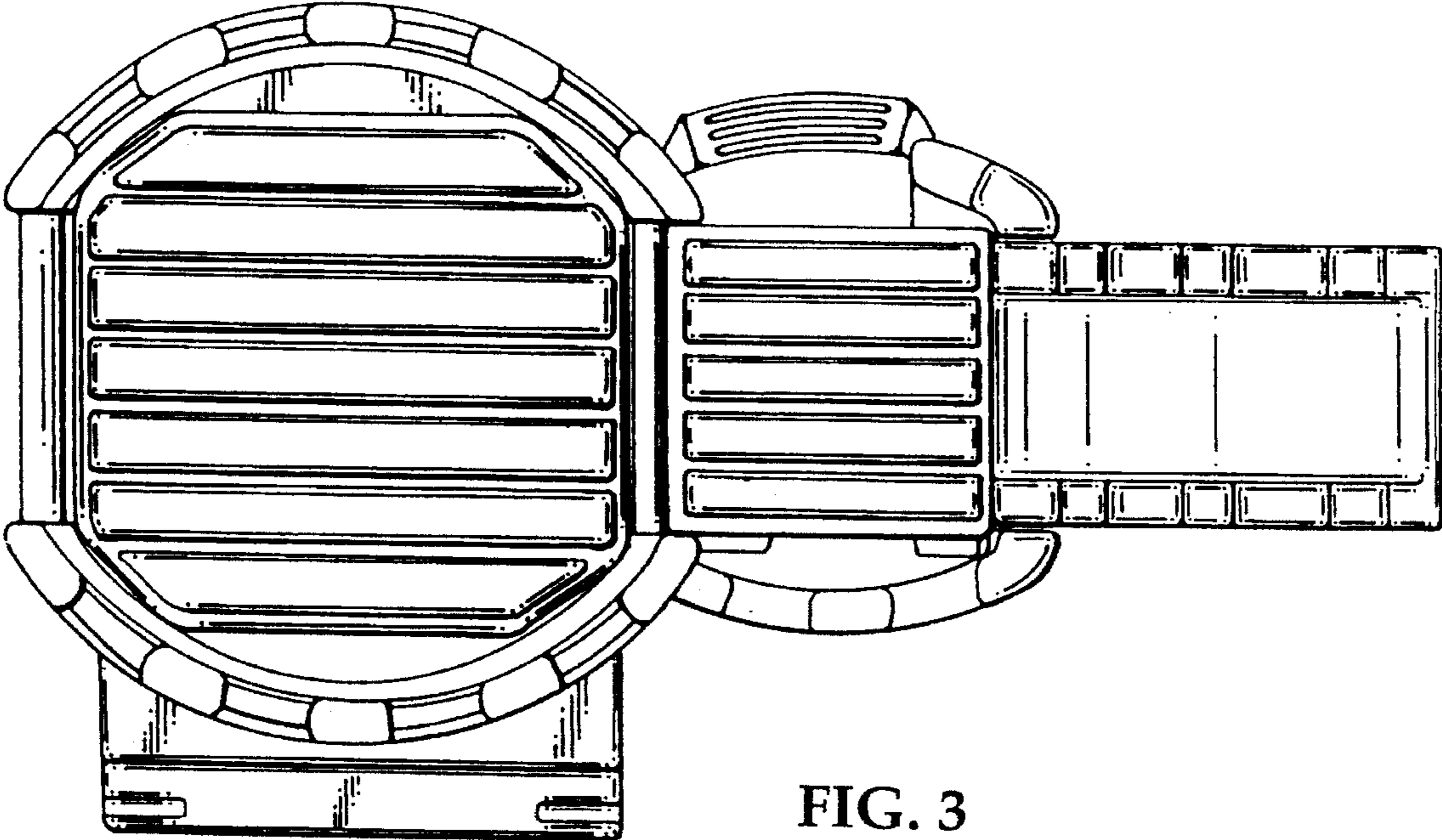


FIG. 3

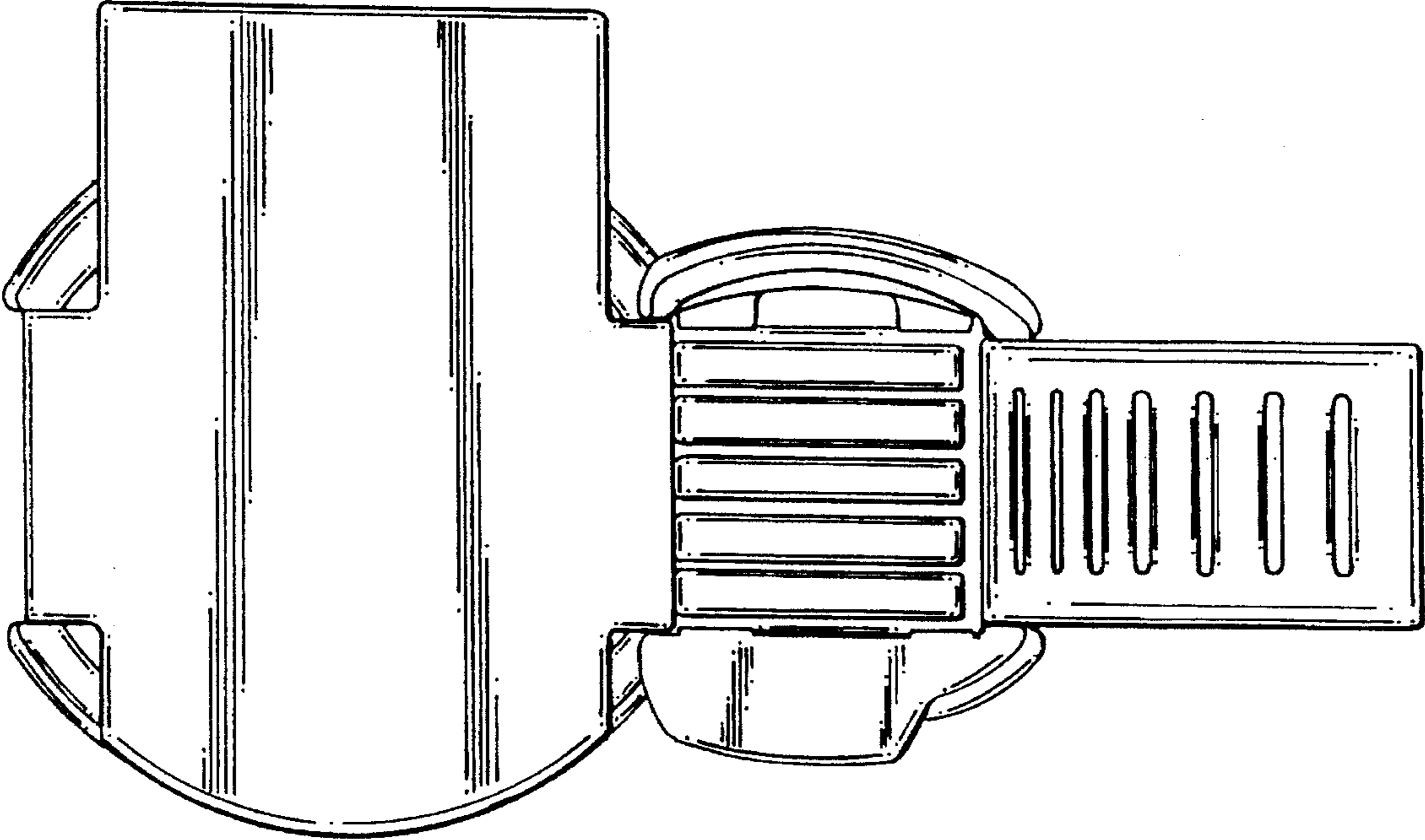


FIG. 4

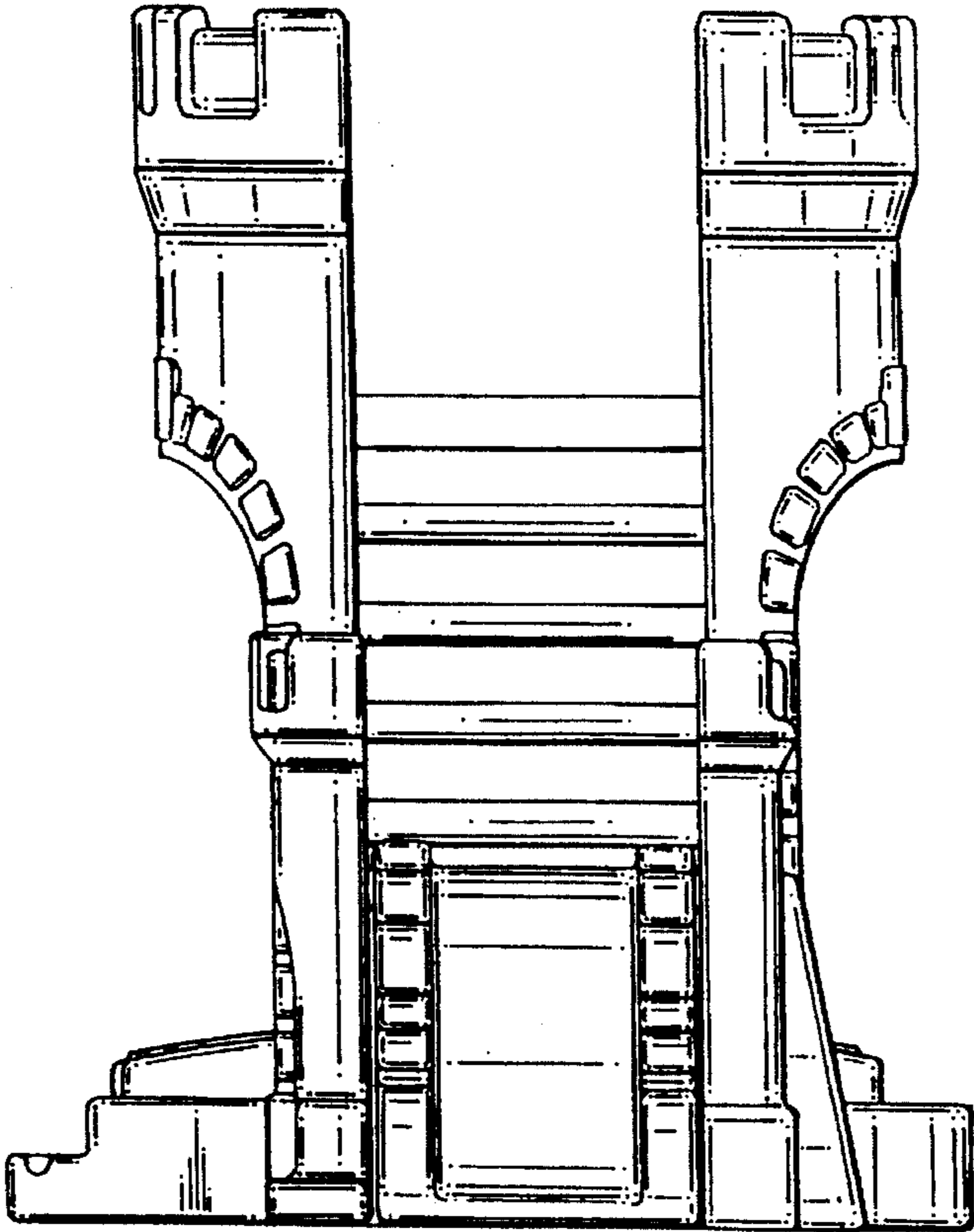


FIG. 5

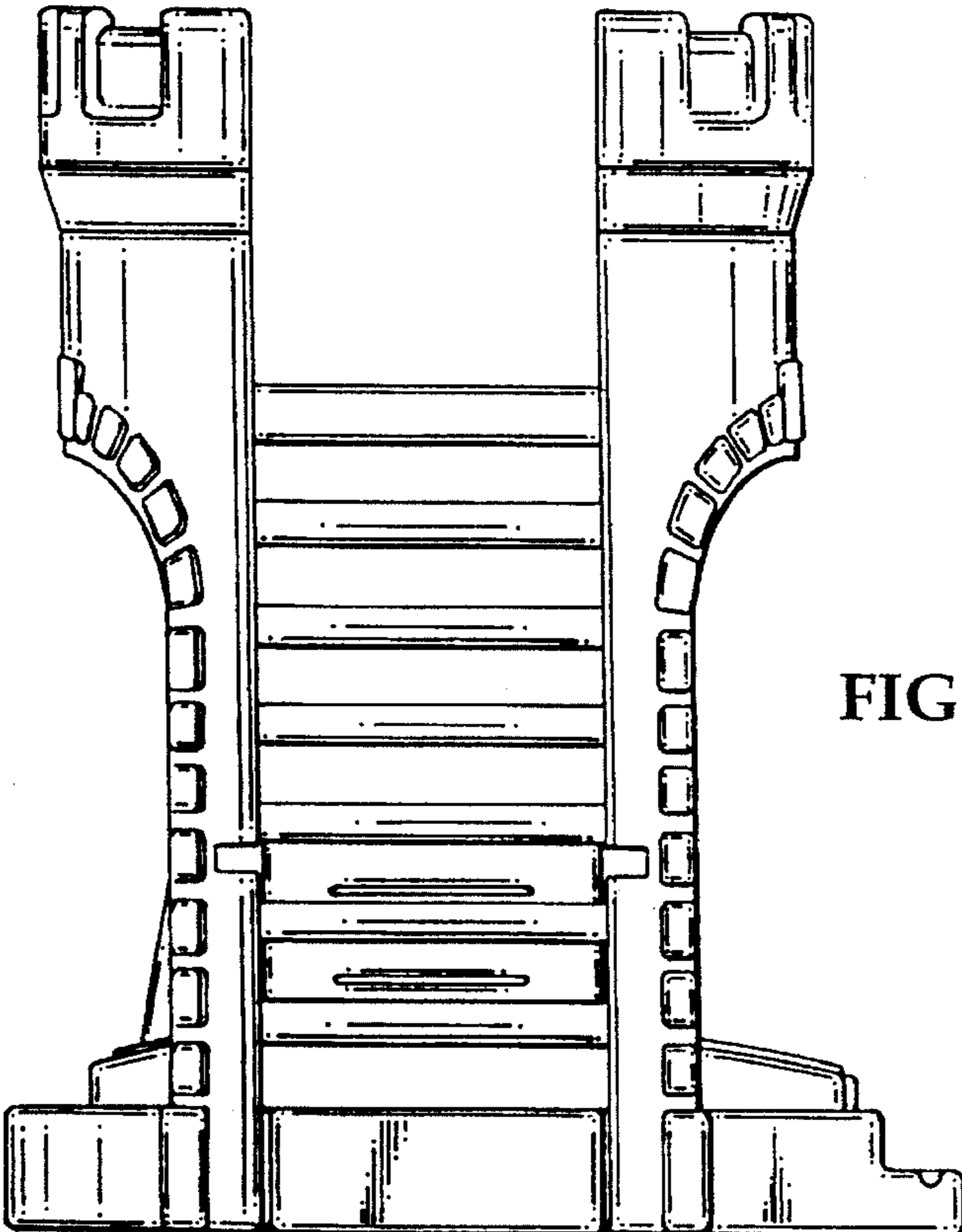


FIG. 6

FIG. 7

